



Date:

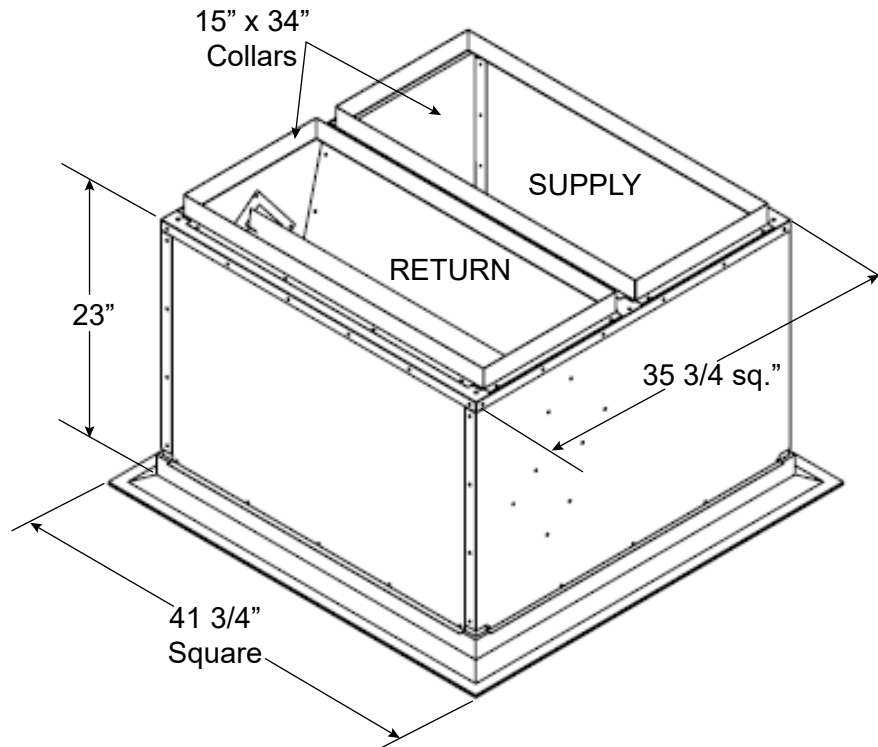
Specification Sheet for Daikin Medium Cabinet 10 Ton
Flush Mount Concentric Diffuser with 15" x 34" Collars

Part Number:
Daikin PN: 0221L00012
MicroMetl PN: 1017-400A-DKN

Submitted To:

Job:

Notes:



Notes:

1. Includes 15" x 34" supply and return duct collars
2. Flush mount grille constructed of brushed aluminum. Supply air around perimeter and return air through the center.
3. Includes hanging brackets
4. Outside housing and return air boot constructed of insulated galvanized steel
5. Package includes turning vanes for smooth 4 way supply air distribution.

Product Operating Weight:
[Redacted] Lbs

The Information contained in this drawing is the sole property of MicroMetl Corporation. Any reproduction in part or whole without the written permission of MicroMetl Corporation is prohibited.