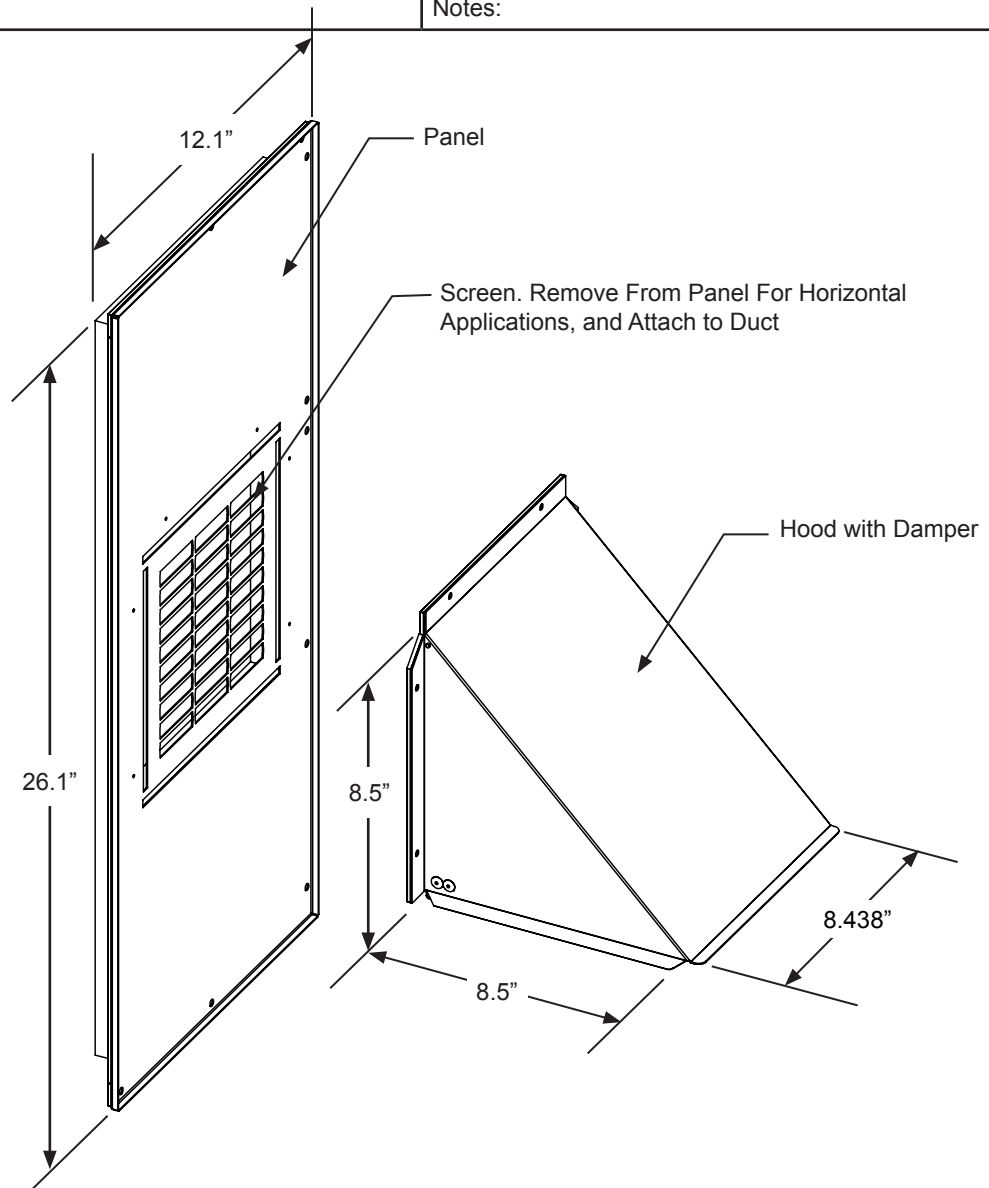


Submitted To:

Job:

Notes:

PRELIMINARY

**Notes:**

1. Panel and hood are painted to match the unit.
2. Panel includes 1" – 1.5 lb density insulation.
3. Hood includes a manual damper to adjust intake.
4. Panel has screen to eliminate bird and rodent entry.
5. Kit can be used in horizontal or vertical application.

Product Operating Weight:

24 Lbs