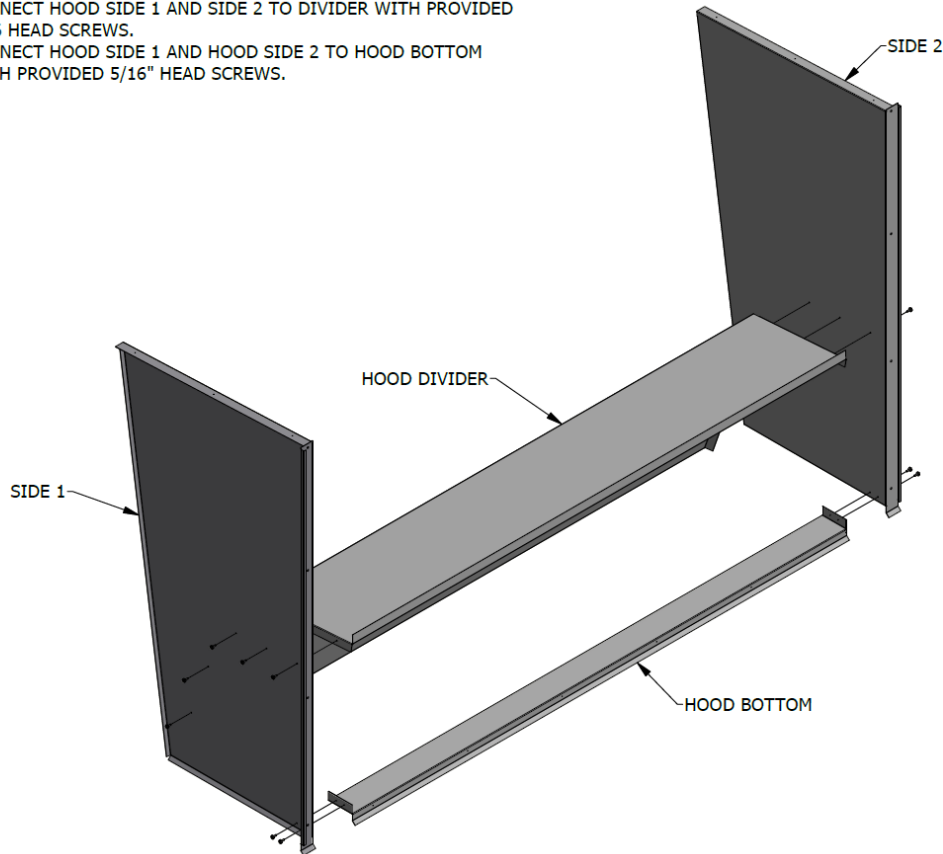




1. CONNECT HOOD SIDE 1 AND SIDE 2 TO DIVIDER WITH PROVIDED 5/16 HEAD SCREWS.
2. CONNECT HOOD SIDE 1 AND HOOD SIDE 2 TO HOOD BOTTOM WITH PROVIDED 5/16" HEAD SCREWS.

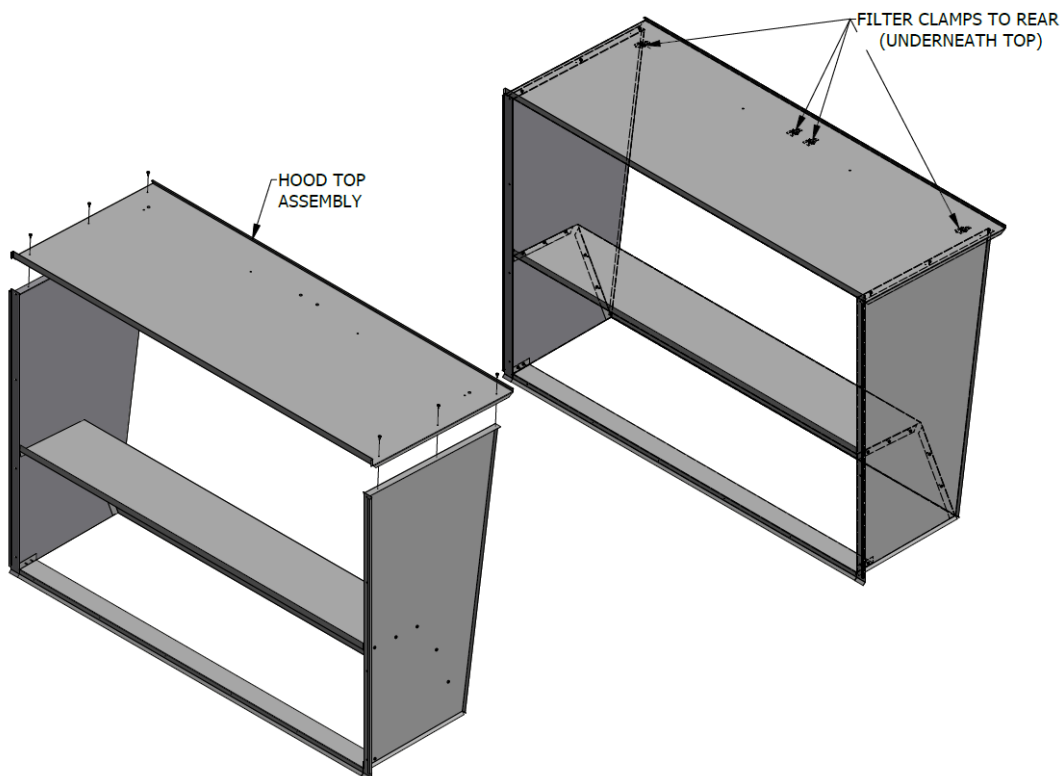


Hood Assembly Instructions

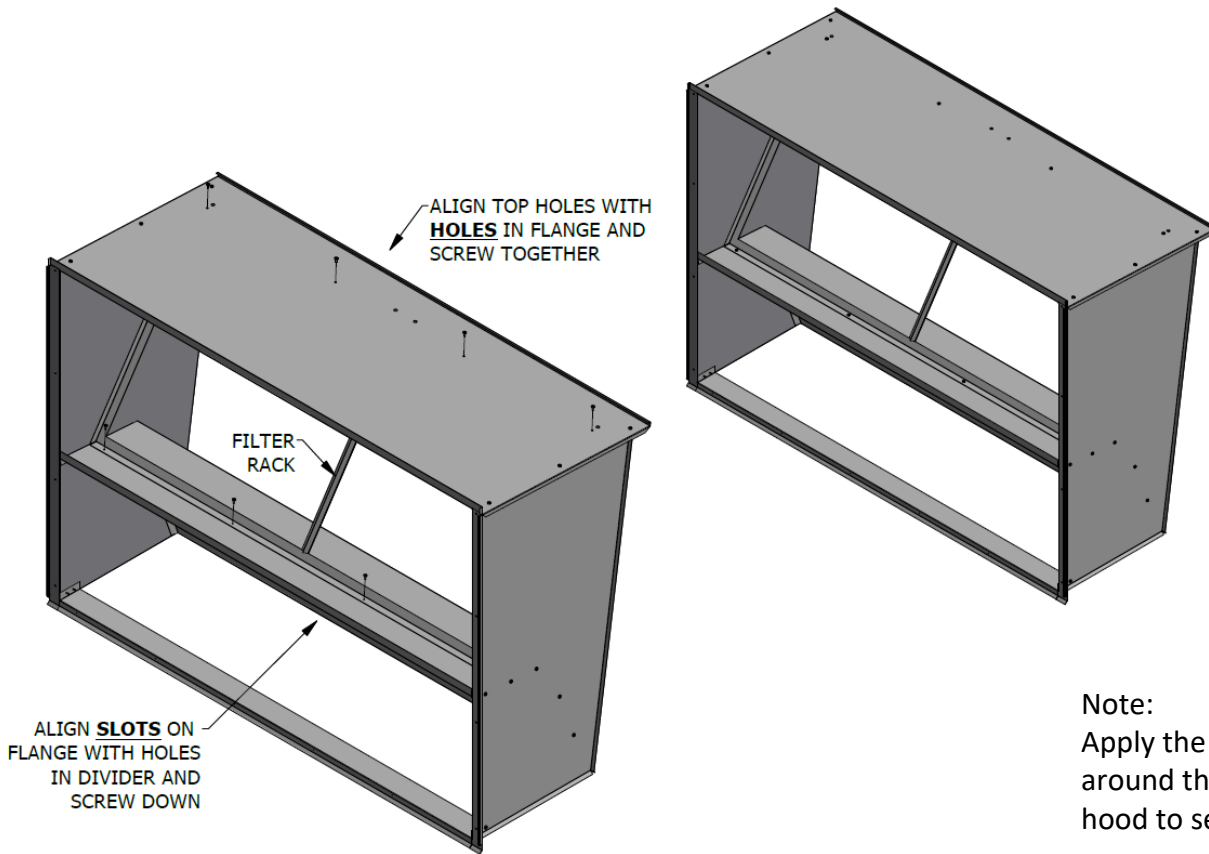
Note:

The Internal Damper must be installed before the Hood Assembly is attached.

3. CONNECT TOP ASSEMBLY TO SIDES USING PROVIDED 5/16 HEAD SCREWS.



4. SLIDE FILTER RACK ASSEMBLY INTO HOOD IN THE POSITION SHOWN.
5. ATTACH USING THE PROVIDED 5/16" HEAD SCREWS.



Note:
Apply the included gasket material around the inside edges of the hood to seal to unit opening.

6. INSERT PROVIDED MIST ELIMINATOR FILTERS.
7. FLIP LATCHES DOWN TO SECURE FILTERS.

