

AURORA FTXUVJU Ductless Heat Pump**

FTX18UVJU

FTX24UVJU



This manual is to be used by qualified technicians only.

Important Information

Index

Functional Parts List	3
Illustration and Parts	4 - 7

Views shown are for parts illustrations only, not servicing procedures

Text Codes:

AR - As Required

NA - Not Available

NS - Not Shown

00000000 - See Note

QTY - Quantity Example (QTY 3) (If Quantity not shown, Quantity = 1)

M - Model Example (M1) (If M Code not shown, then part is used on all Models)

Expanded Model Nomenclature:

Example M1 - Model#1 M2 - Model#2 M3 - Model#3

Daikin Manufacturing Company, L.P. is not responsible for personal injury or property damage resulting from improper service. Review all service information before beginning repairs.

Warranty service must be performed by an authorized technician, using authorized factory parts. If service is required after the warranty expires, Daikin Manufacturing Company, L.P. also recommends contacting an authorized technician and using authorized factory parts.

Daikin Manufacturing Company, L.P. reserves the right to discontinue, or change at any time, specifications or designs without notice or without incurring obligations.

For assistance within the U.S.A. contact:

Homeowner Support
Daikin North America, LLC
19001 Kermier Road
Waller, Texas 77484
855-770-5678-Telephone
713-863-2382-Facsimile

For assistance outside the U.S.A. contact:

International Division
Daikin North America, LLC
19001 Kermier Road
Waller, Texas 77484
713-861-2500-Telephone
713-863-2382-Facsimile

Functional Parts

Part

No: Description:

4009358	DC FAN MOTOR
131316J	FUSE (QTY 2)
4012104	PRINTED CIRCUIT BOARD ASSY. (MAIN) (M2)
2468859	PRINTED CIRCUIT BOARD ASSY. (MAIN) (M1)
4000843	PRINTED CIRCUIT BOARD ASSY. (PHOTO/ DISPLAY)
4000844	PRINTED CIRCUIT BOARD ASSY. (PYROELECTRIC PASSIVE)
1797578	STEPPING MOTOR

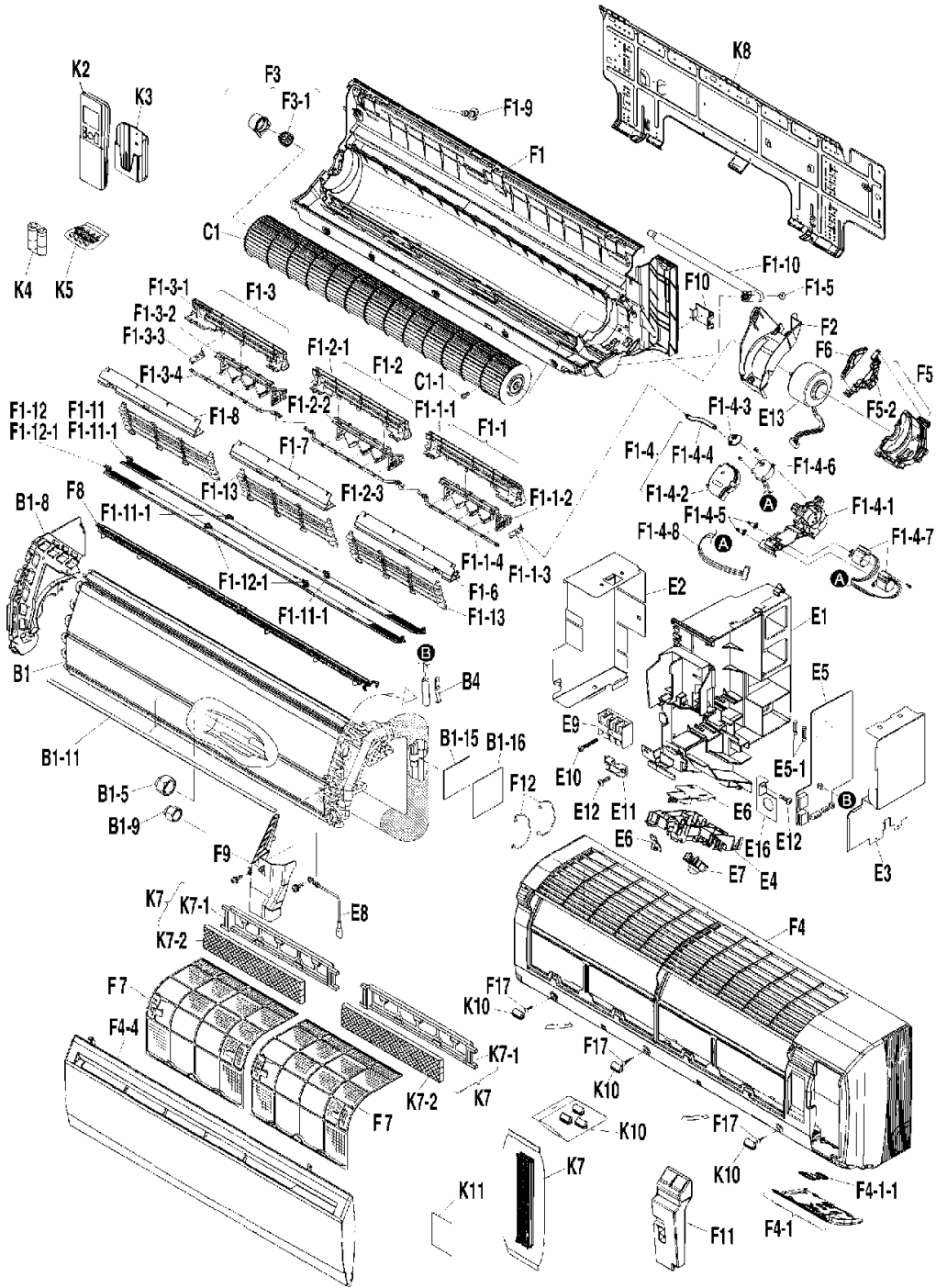
Expanded Model Nomenclature

M1 - FTX18UVJU
M2 - FTX24UVJU

FTX18UVJU

FTX18UVJU

—TOP—



Ref No	DRAWING #
1	B1
2	B1-5
3	B1-8
4	B1-9
5	B1-11
6	B1-15
7	B1-16
8	B4
9	C1
10	C1-1
11	E1
12	E2
13	E3
14	E4
15	E5
16	E5-1
17	E8
18	E7
19	E8
20	E9
21	E10
22	E11
23	E12
24	E13
25	E16
26	F1
27	F1-1
28	F1-1-1
29	F1-1-2
30	F1-1-3
31	F1-1-4
32	F1-2
33	F1-2-1
34	F1-2-2
35	F1-2-3
36	F1-3
37	F1-3-1
38	F1-3-2
39	F1-3-3
40	F1-3-4
41	F1-4
42	F1-4-1
43	F1-4-2
44	F1-4-3
45	F1-4-4
46	F1-4-5
47	F1-4-6
48	F1-4-7
49	F1-4-8
50	F1-5
51	F1-6
52	F1-7
53	F1-8
54	F1-9
55	F1-10
56	F1-11
57	F1-11-1
58	F1-12
59	F1-12-1
60	F1-13
61	F2
62	F3
63	F3-1
64	F4
65	F4-1
66	F4-1-1
67	F4-4
68	F5
69	F5-2
70	F6
71	F7
72	F8
73	F9
74	F10
75	F11
76	F12
77	F17
78	K2
79	K3
80	K4
81	K5
82	K7
83	K7-1
84	K7-2
85	K8
86	K10
87	K11

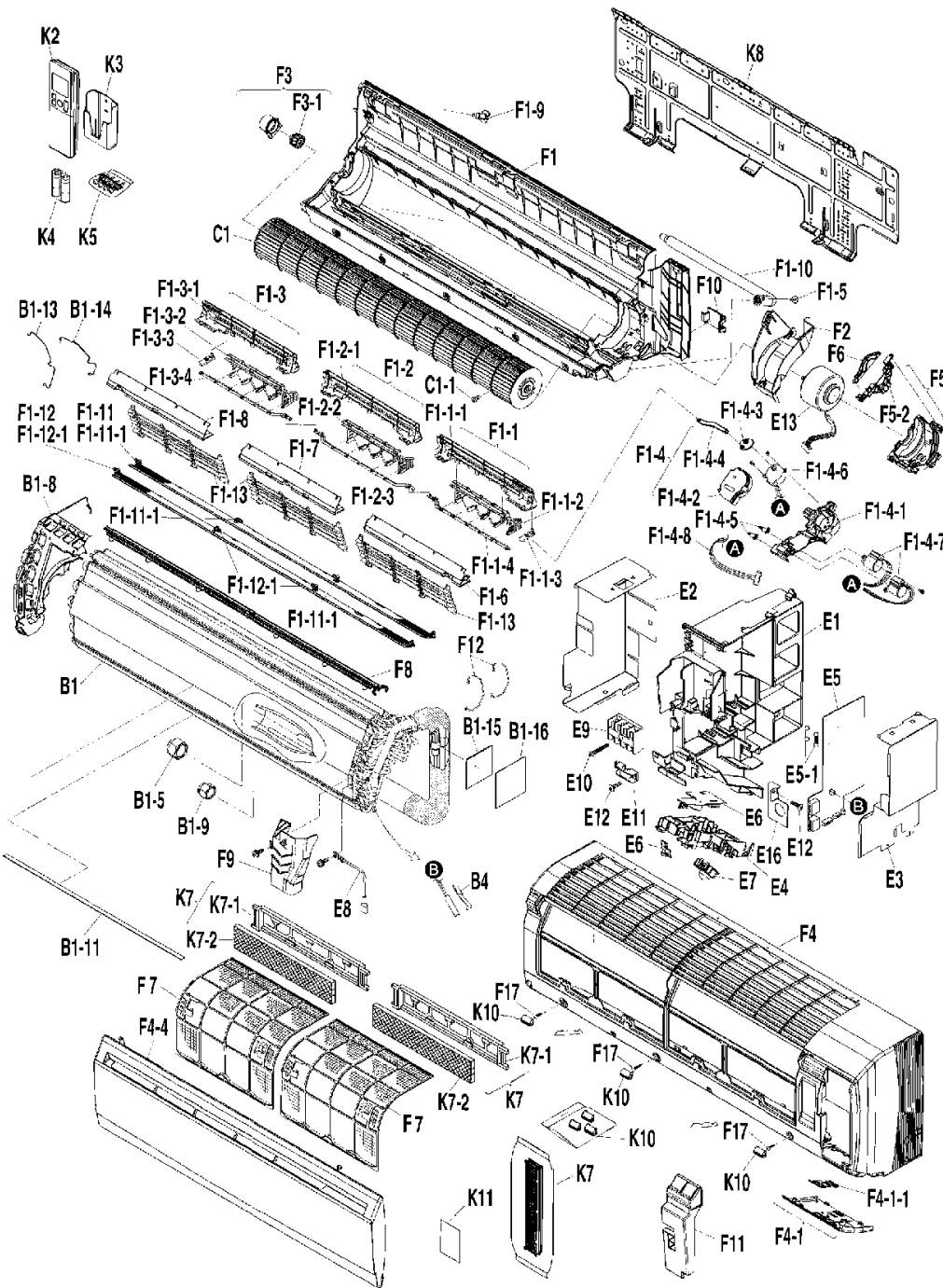
FTX18UVJU

Ref. Part No: No:	Description:	Ref. Part No: No:	Description:
Image 1:		Image 1:	
1	4009489 HEAT EXCHANGER ASSY. (M1)	52	4009459 AIR OUTLET ASSY. (M1)
2	119849J FLARE NUT (M1)	53	4009460 AIR OUTLET ASSY. (M1)
3	4009438 SIDE PANEL (LEFT) ASSY. (M1)	54	1866652 DRAIN PLUG (M1)
4	1723546 FLARE NUT (M1)	55	4000867 DRAIN HOSE ASSY. (M1)
5	4009439 SEALING PLATE (H/E BENDING) (M1)	56	4013749 HORIZONTAL VANE (UPPER)/ DISCH. GRILLE (M1)
6	135892J PUTTY (M1)		
7	4000832 SEALING MATERIAL (M1)	57	4000869 ROD/ HORIZONTAL VANE (M1)
8	380120J FITTING SPRING/ THERMISTOR (M1)	58	4013750 HORIZONTAL VANE (LOWER)/ DISCH. GRILLE (M1)
9	4023349 CROSS FLOW FAN ASSY. (M1)		
10	051605J HEX. SOCKET SCREW (M1)	59	4000869 ROD/ HORIZONTAL VANE (M1)
11	4000836 SWITCH BOX (M1)	60	4009497 FAN GUARD ASSY. (M1)
12	4000837 SHIELD PLATE (1) (M1)	61	4009471 SIDE PANEL (RIGHT) ASSY. (M1)
13	4000838 SHIELD PLATE (2) (M1)	62	2456104 FAN BEARING ASSY. (M1)
14	4000839 INDICATION LAMP COVER (M1)	63	2456205 FAN BEARING ASSY. (M1)
15	2468859 PRINTED CIRCUIT BOARD ASSY. (MAIN) (M1)	64	4014034 FRONT GRILLE ASSY. (M1)
16	131316J FUSE (M1)	65	4013752 CONTROL PANEL ASSY. (M1)
17	4000843 PRINTED CIRCUIT BOARD ASSY. (PHOTO/ DISPLAY) (M1)	66	4000875 OPERATION SIGN COVER (M1)
		67	4014035 FRONT PANEL ASSY. (M1)
18	4000844 PRINTED CIRCUIT BOARD ASSY. (PYROELECTRIC PASSIVE) (M1)	68	4009468 MOTOR MOUNTING PLATE ASSY. (M1)
		69	4009469 MOTOR MOUNTING PLATE (2) (M1)
19	2065793 EARTH WIRE (TERMINAL) (M1)	70	4009470 MOTOR MOUNTING PLATE (3) (M1)
20	1907786 TERMINAL BLOCK (M1)	71	4009476 AIR FILTER (M1)
21	NA PAN HEAD TAPPING SCREW (M1)	72	4009472 SEALING PLATE ASSY. (M1)
22	0812847 WIRE CLAMP (M1)	73	2065919 DRIP PROOF COVER (M1)
23	NA TRUSS HEAD TAPPING SCREW (M1)	74	4000885 PIPING FIXTURE (M1)
24	4009358 DC FAN MOTOR (M1)	75	4000886 SERVICE LID ASSY. (M1)
25	NA CONDUIT MOUNTING PLATE (M1)	76	4009477 WIRE SPRING (TOP) (M1)
26	2462301 BOTTOM FRAME ASSY. (M1)	77	NA TRUSS HEAD TAPPING SCREW (M1)
27	4009445 FRONT STABILIZER ASSY. (RIGHT)/ DRAIN PAN (M1)	78	4019109 REMOTE CONTROLLER ASSY. (WITH LABEL) (M1)
		79	5004122 HOLDER/ REMOTE CONTROLLER (M1)
28	4009446 FRONT STABILIZER (RIGHT)/ DRAIN PAN (M1)	80	NA BATTERY KIT (M1)
29	4009447 VERT. BLADE (AUTO)/ DISCH. GRILLE (M1)	81	NA SCREW KIT (M1)
30	4009448 INTERLOCK ROD (M1)	82	182242J AIR FILTER ASSY. (M1)
31	4009449 INTERLOCK ROD (M1)	83	1597259 DUST COLLECTING ELEMENT FRAME (M1)
32	4009450 FRONT STABILIZER ASSY. (CENTER)/ DRAIN PAN (M1)	84	1840489 PHOTOCATALYTIC AIR-PURIFYING FILTER (M1)
		85	4009478 INSTALLATION PLATE (M1)
33	4009451 FRONT STABILIZER (CENTER) (M1)	86	4016286 ACCESSORIES (SCREW COVER) (M1)
34	4009447 VERT. BLADE (AUTO)/ DISCH. GRILLE (M1)	87	NA CAUTION LABEL (ELECTRIC SHOCK) (M1)
35	4009452 INTERLOCK ROD (CENTER) (M1)	Expanded Model Nomenclature	
36	4009453 FRONT STABILIZER ASSY. (LEFT)/ DRAIN PAN (M1)	M1 - FTX18UVJU M2 - FTX24UVJU	
37	4009454 FRONT STABILIZER (LEFT)/ DRAIN PAN (M1)		
38	4009447 VERT. BLADE (AUTO)/ DISCH. GRILLE (M1)		
39	4009448 INTERLOCK ROD (M1)		
40	4009449 INTERLOCK ROD (M1)		
41	4009455 COVER (LINK) ASSY. (M1)		
42	4009456 COVER 1 (LINK) (M1)		
43	4009457 COVER 2 (LINK) (M1)		
44	4009458 INTERLOCK ROD (1) (M1)		
45	4000860 INTERLOCK ROD (2) (M1)		
46	4000861 ROD (S/M ROD) (M1)		
47	1797578 STEPPING MOTOR (M1)		
48	4000862 STEPPING MOTOR ASSY. (M1)		
49	4000863 WIRE HARNESS ASSY. (S/M) (M1)		
50	NA TAPPING SCREW (M1)		
51	4009461 AIR OUTLET SKIRT (RIGHT) (M1)		

FTX24UVJU

FTX24UVJU

—TOP—



RefNo	DRAWING #
1	B1
2	B1-5
3	B1-8
4	B1-9
5	B1-11
6	B1-13
7	B1-14
8	B1-16
9	B1-16
10	B4
11	C1
12	C1-1
13	E1
14	E2
15	E3
16	E4
17	E5
18	E5-1
19	E6
20	E7
21	E8
22	E9
23	E10
24	E11
25	E12
26	E13
27	E16
28	F1
29	F1-10
30	F1-1-1
31	F1-1-2
32	F1-1-3
33	F1-1-4
34	F1-2
35	F1-2-1
36	F1-2-2
37	F1-2-3
38	F1-3
39	F1-3-1
40	F1-3-2
41	F1-3-3
42	F1-3-4
43	F1-4
44	F1-4-1
45	F1-4-2
46	F1-4-3
47	F1-4-4
48	F1-4-5
49	F1-4-6
50	F1-4-7
51	F1-4-8
52	F1-6
53	F1-6
54	F1-7
55	F1-8
56	F1-9
57	F1-10
58	F1-11
59	F1-11-1
60	F1-12
61	F1-12-1
62	F1-13
63	F2
64	F3
65	F3-1
66	F4
67	F4-1
68	F4-1-1
69	F4-4
70	F5
71	F5-2
72	F6
73	F7
74	F8
75	F9
76	F10
77	F11
78	F12
79	F17
80	K2
81	K3
82	K4
83	K5
84	K7
85	K7-1
86	K7-2
87	K8
88	K10
89	K11

FTX24UVJU

Ref. Part No:	Ref. Part No:	Description:	Description:
Image 1:		Image 1:	
1	4009490	HEAT EXCHANGER ASSY. (M2)	52 NA TAPPING SCREW (M2)
2	119850J	FLARE NUT (M2)	53 4009461 AIR OUTLET SKIRT (RIGHT) (M2)
3	4009438	SIDE PANEL (LEFT) ASSY. (M2)	54 4009459 AIR OUTLET ASSY. (M2)
4	1723546	FLARE NUT (M2)	55 4009460 AIR OUTLET ASSY. (M2)
5	4009439	SEALING PLATE (H/E BENDING) (M2)	56 1866652 DRAIN PLUG (M2)
6	4009440	WIRE SPRING (FRONT) (M2)	57 4000867 DRAIN HOSE ASSY. (M2)
7	4009441	WIRE SPRING (REAR) (M2)	58 4013749 HORIZONTAL VANE (UPPER)/ DISCH. GRILLE (M2)
8	135892J	PUTTY (M2)	59 4000869 ROD/ HORIZONTAL VANE (M2)
9	4000832	SEALING MATERIAL (M2)	60 4013750 HORIZONTAL VANE (LOWER)/ DISCH. GRILLE (M2)
10	380120J	FITTING SPRING/ THERMISTOR (M2)	61 4000869 ROD/ HORIZONTAL VANE (M2)
11	4023349	CROSS FLOW FAN ASSY. (M2)	62 4009497 FAN GUARD ASSY. (M2)
12	051605J	HEX SOCKET SCREW (M2)	63 4009471 SIDE PANEL (RIGHT) ASSY. (M2)
13	4000836	SWITCH BOX (M2)	64 2456104 FAN BEARING ASSY. (M2)
14	4000837	SHIELD PLATE (1) (M2)	65 2456205 FAN BEARING ASSY. (M2)
15	4000838	SHIELD PLATE (2) (M2)	66 4014034 FRONT GRILLE ASSY. (M2)
16	4000839	INDICATION LAMP COVER (M2)	67 4013752 CONTROL PANEL ASSY. (M2)
17	4012104	PRINTED CIRCUIT BOARD ASSY. (MAIN) (M2)	68 4000875 OPERATION SIGN COVER (M2)
18	131316J	FUSE (M2)	69 4014035 FRONT PANEL ASSY. (M2)
19	4000843	PRINTED CIRCUIT BOARD ASSY. (PHOTO/ DISPLAY) (M2)	70 4009468 MOTOR MOUNTING PLATE ASSY. (M2)
20	4000844	PRINTED CIRCUIT BOARD ASSY. (PYROELECTRIC PASSIVE) (M2)	71 4009469 MOTOR MOUNTING PLATE (2) (M2)
21	2065793	EARTH WIRE (TERMINAL) (M2)	72 4009470 MOTOR MOUNTING PLATE (3) (M2)
22	1907786	TERMINAL BLOCK (M2)	73 4009476 AIR FILTER (M2)
23	NA	PAN HEAD TAPPING SCREW (M2)	74 4009472 SEALING PLATE ASSY. (M2)
24	0812847	WIRE CLAMP (M2)	75 4009475 DRIP PROOF COVER (M2)
25	NA	TRUSS HEAD TAPPING SCREW (M2)	76 4000885 PIPING FIXTURE (M2)
26	4009358	DC FAN MOTOR (M2)	77 4000886 SERVICE LID ASSY. (M2)
27	NA	CONDUIT MOUNTING PLATE (M2)	78 4009477 WIRE SPRING (TOP) (M2)
28	2462301	BOTTOM FRAME ASSY. (M2)	79 NA TRUSS HEAD TAPPING SCREW (M2)
29	4009445	FRONT STABILIZER ASSY. (RIGHT)/ DRAIN PAN (M2)	80 4019109 REMOTE CONTROLLER ASSY. (WITH LABEL) (M2)
30	4009446	FRONT STABILIZER (RIGHT)/ DRAIN PAN (M2)	81 5004122 HOLDER/ REMOTE CONTROLLER (M2)
31	4009447	VERT. BLADE (AUTO)/ DISCH. GRILLE (M2)	82 NA BATTERY KIT (M2)
32	4009448	INTERLOCK ROD (M2)	83 NA SCREW KIT (M2)
33	4009449	INTERLOCK ROD (M2)	84 182242J AIR FILTER ASSY. (M2)
34	4009450	FRONT STABILIZER ASSY. (CENTER)/ DRAIN PAN (M2)	85 1597259 DUST COLLECTING ELEMENT FRAME (M2)
35	4009451	FRONT STABILIZER (CENTER) (M2)	86 1840489 PHOTOCATALYTIC AIR-PURIFYING FILTER (M2)
36	4009447	VERT. BLADE (AUTO)/ DISCH. GRILLE (M2)	87 4009478 INSTALLATION PLATE (M2)
37	4009452	INTERLOCK ROD (CENTER) (M2)	88 4016286 ACCESSORIES (SCREW COVER) (M2)
38	4009453	FRONT STABILIZER ASSY. (LEFT)/ DRAIN PAN (M2)	89 NA CAUTION LABEL (ELECTRIC SHOCK) (M2)
39	4009454	FRONT STABILIZER (LEFT)/ DRAIN PAN (M2)	
40	4009447	VERT. BLADE (AUTO)/ DISCH. GRILLE (M2)	
41	4009448	INTERLOCK ROD (M2)	
42	4009449	INTERLOCK ROD (M2)	
43	4009455	COVER (LINK) ASSY. (M2)	
44	4009456	COVER 1 (LINK) (M2)	
45	4009457	COVER 2 (LINK) (M2)	
46	4009458	INTERLOCK ROD (1) (M2)	
47	4000860	INTERLOCK ROD (2) (M2)	
48	4000861	ROD (S/M ROD) (M2)	
49	1797578	STEPPING MOTOR (M2)	
50	4000862	STEPPING MOTOR ASSY. (M2)	
51	4000863	WIRE HARNESS ASSY. (S/M) (M2)	

Expanded Model Nomenclature

M1 - FTX18UVJU
M2 - FTX24UVJU