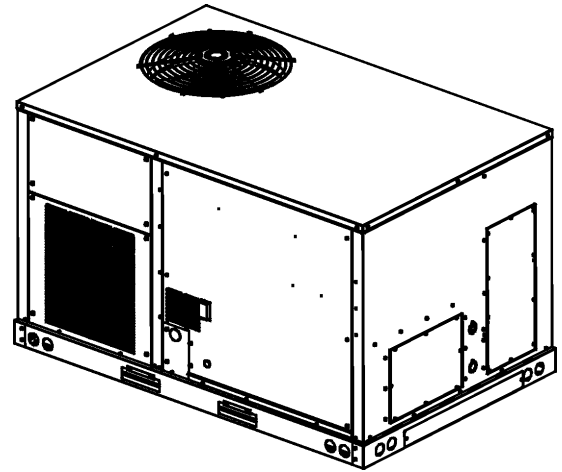


Commercial High Efficient (DRG) 3 Ton Package Gas Unit

DRG0361DH00001SAA
DRG0361DL00001SAA
DRG0361DM00001SAA
DRG0363DH00001SAA
DRG0363DL00001SAA
DRG0363DM00001SAA
DRG0364DH00001SAA
DRG0364DL00001SAA
DRG0364DM00001SAA



This manual is to be used by qualified technicians only.

Important Information

Index

Functional Parts List	3
Illustration and Parts	4 - 15

Views shown are for parts illustrations only, not servicing procedures

Text Codes:

AR - As Required

NA - Not Available

NS - Not Shown

00000000 - See Note

QTY - Quantity Example (QTY 3) (If Quantity not shown, Quantity = 1)

M - Model Example (M1) (If M Code not shown, then part is used on all Models)

Expanded Model Nomenclature:

Example M1 - Model#1 M2 - Model#2 M3 - Model#3

Daikin Company, L.P. is not responsible for personal injury or property damage resulting from improper service. Review all service information before beginning repairs.

Warranty service must be performed by an authorized technician, using authorized factory parts. If service is required after the warranty expires, Daikin Company, L.P. also recommends contacting an authorized technician and using authorized factory parts.

Daikin Company, L.P. reserves the right to discontinue, or change at any time, specifications or designs without notice or without incurring obligations.

For assistance within the U.S.A. contact:

Equipment Support
Daikin North America, LLC
19001 Kermier Road
Waller, Texas 77484
855-770-5678-Telephone
713-863-2382-Facsimile

For assistance outside the U.S.A. contact:

International Division
Daikin North America, LLC
19001 Kermier Road
Waller, Texas 77484
713-861-2500-Telephone
713-863-2382-Facsimile

Functional Parts

Part

No: Description:

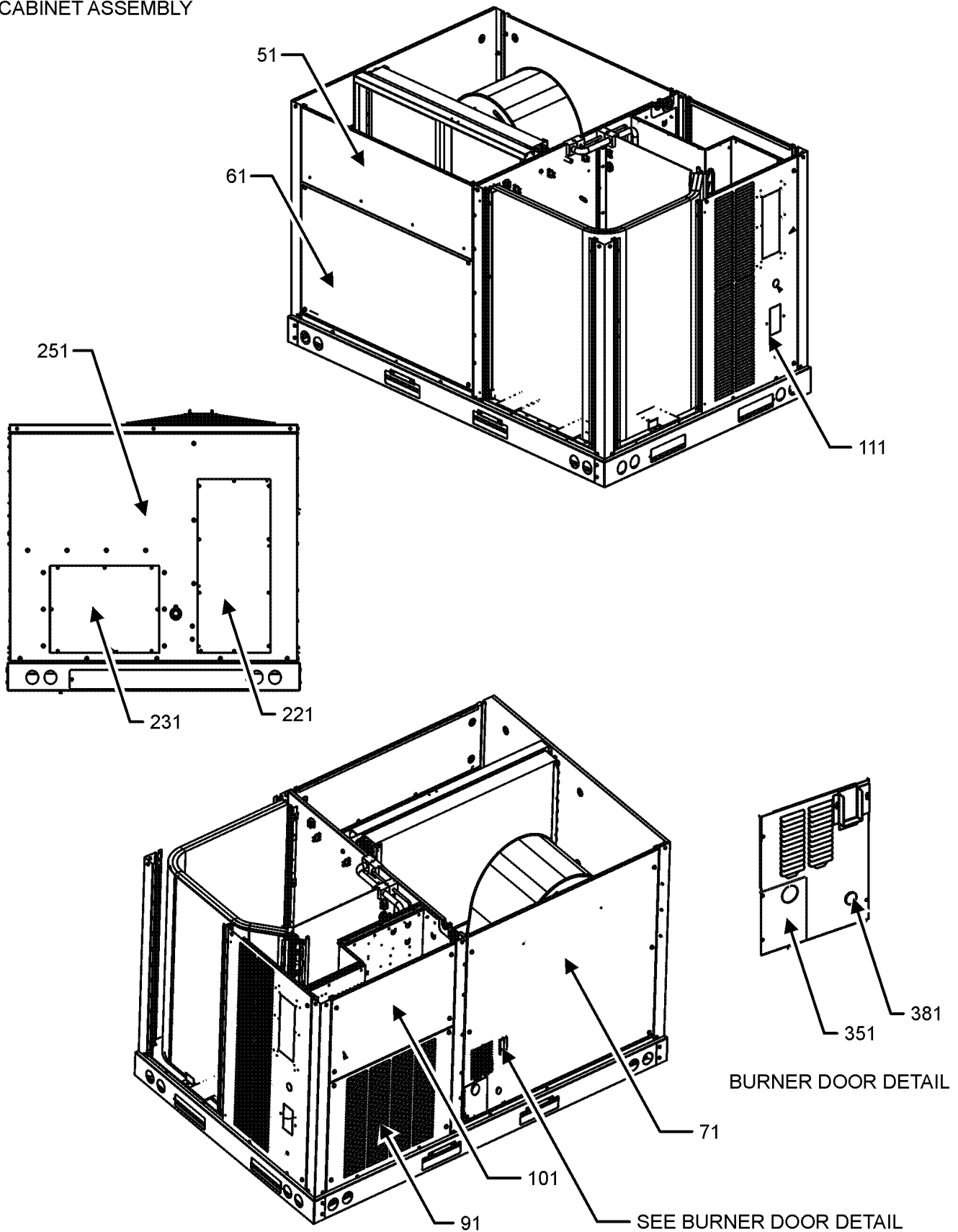
0163F00017	BECKETT BURNER (QTY 6)
10625733	BLADE-FAN 22" ALUM CCW
CAP050000370LA	CAP 5 MFD/370V/OVAL (M4, M5, M6)
CAP050400440CT	CAP 5/40 MFD/440V DUAL RD (M1, M2, M3)
ZPS30K5EPFV130	COMP,30000,208/230 (M1, M2, M3)
ZPS30K5ETFD130	COMPRESSOR (M7, M8, M9)
ZPS30K5ETF5130	COMPRESSOR (M4, M5, M6)
CONT2P025024V	CONT, 2 POLE, 25 AMP, 24 VAC
CONT3P025024V	CONT, 3 POLE, 25 AMP, 24 VAC (M7, M8, M9)
CONT3P030024V	CONT, 3 POLE, 30 AMP, 24 VAC (M4, M5, M6)
CONT3P030024V	CONT, 3 POLE, 30 AMP, 24VAC (M4, M5, M6)
0130M00513	CONTACTOR (M1, M2, M3)
0130M00178	DPDT RELAY 24VAC (QTY 3)
0130F00010	FLAME SENSOR
0151F00000P	GAS VALVE - WHITE-RODGERS 2-STAGE
0130M00280	HIGH PRESSURE SWITCH
20261709	IGNITOR
0130F00035	LIMIT, PRIMARY, 220, PURPLE (M1, M3, M4, M6, M7, M9)
20162904	LIMIT-BROWN
0130F00067	LIMIT-RED (M2, M5, M8)
0130M00087	LOW PRESSURE SWITCH
10123532	MANUAL RESET LIMIT 350°F
0131M00880	MOTOR 1/6 HP, 1SP, 8PL (M1, M2, M3, M4, M5, M6)
0131M00871	MOTOR, 1/6 HP, 1 SP, 8 PL (M7, M8, M9)
0131L00250	MOTOR, PROGRAM (M7)
0131L00249	MOTOR, PROGRAM (M9)
0131L00248	MOTOR, PROGRAM (M3, M6)
PCBAG123	PCB, IGNITION,DSI, INTEG
0131L00142	PROGRAM, MOTOR (M8)
0131L00129	PROGRAM, MOTOR (M1, M4)
0131L00099	PROGRAM, MOTOR (M2, M5)
11112501	SWITCH-PRESSURE
0130M00038	TERMINAL BOARD
B1370772	TIME DELAY (ICM) 180 SEC DEL
0130M00596	TRANSFMR, 150VA, 480V TO 23 (M7, M8, M9)
B1141654	TRANSFORMER 208-240 75VA RESET (M1, M2, M3, M4, M5, M6)
0130M00595	TRANSFORMER, 75VA, 480V TO 24V (M7, M8, M9)

Expanded Model Nomenclature

M1 - DRG0361DH00001SAA
M2 - DRG0361DL00001SAA
M3 - DRG0361DM00001SAA
M4 - DRG0363DH00001SAA
M5 - DRG0363DL00001SAA
M6 - DRG0363DM00001SAA
M7 - DRG0364DH00001SAA
M8 - DRG0364DL00001SAA
M9 - DRG0364DM00001SAA

CABINET ASSEMBLY

CABINET ASSEMBLY



CABINET ASSEMBLY

Ref. Part No:	No:	Description:	Ref. Part No:	No:	Description:
---------------	-----	--------------	---------------	-----	--------------

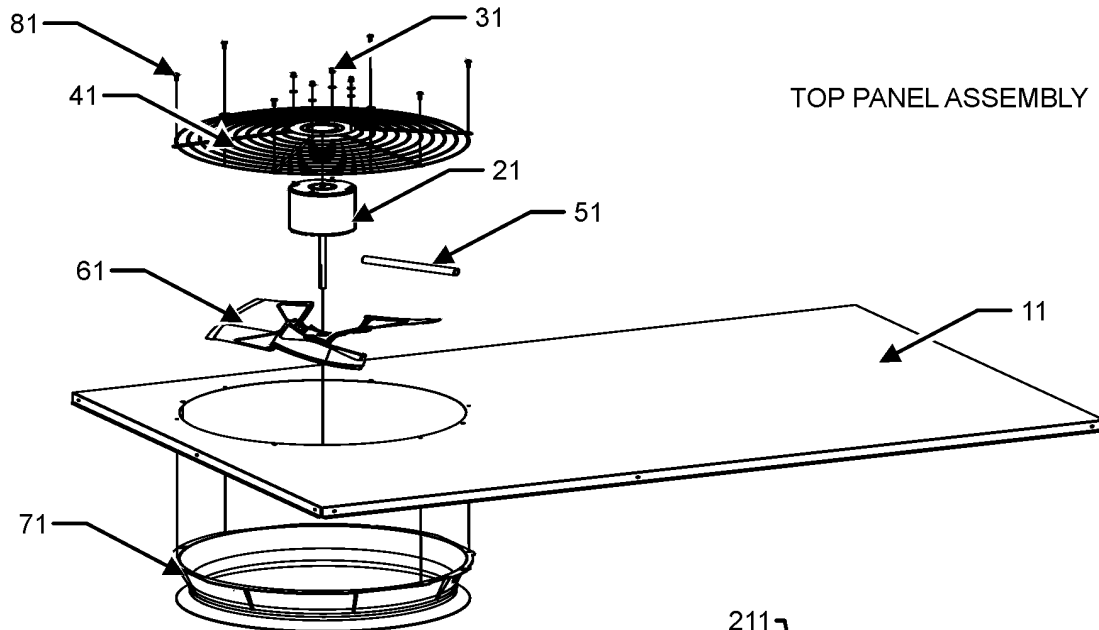
Image 1:

51	0121L01734SB	PAINTED FILTER PANEL
61	0121L01651SB	PAINTED ECONOMIZER PANEL
71	0121L03626SB	PAINTED, PANEL, GAS BLOWER
91	0121L02263SB	PAINTED COMPRESSOR PANEL
101	0121L02262SB	PAINTED CONTROL BOX PANEL
111	0121L03642SB	PAINTED, COMPRESSOR BACK PANEL
221	0121L02910SB	PAINTED COVER-DUCT RETURN
231	0121L02911SB	PAINTED COVER-DUCT SUPPLY
251	0121L03336SB	PAINTED, DUCT PANEL
351	0121L03443SB	PAINTED, GAS INLET PANEL
381	B1392139	VIEW PORT BUSHING, CLEAR 1.00
NS	B1910010	GAS LINE GROMMET
NS	0121L03322	HEAT EXCHANGER FLASHING
NS	0121L03288SB	PAINTED, COLLAR, FLUE

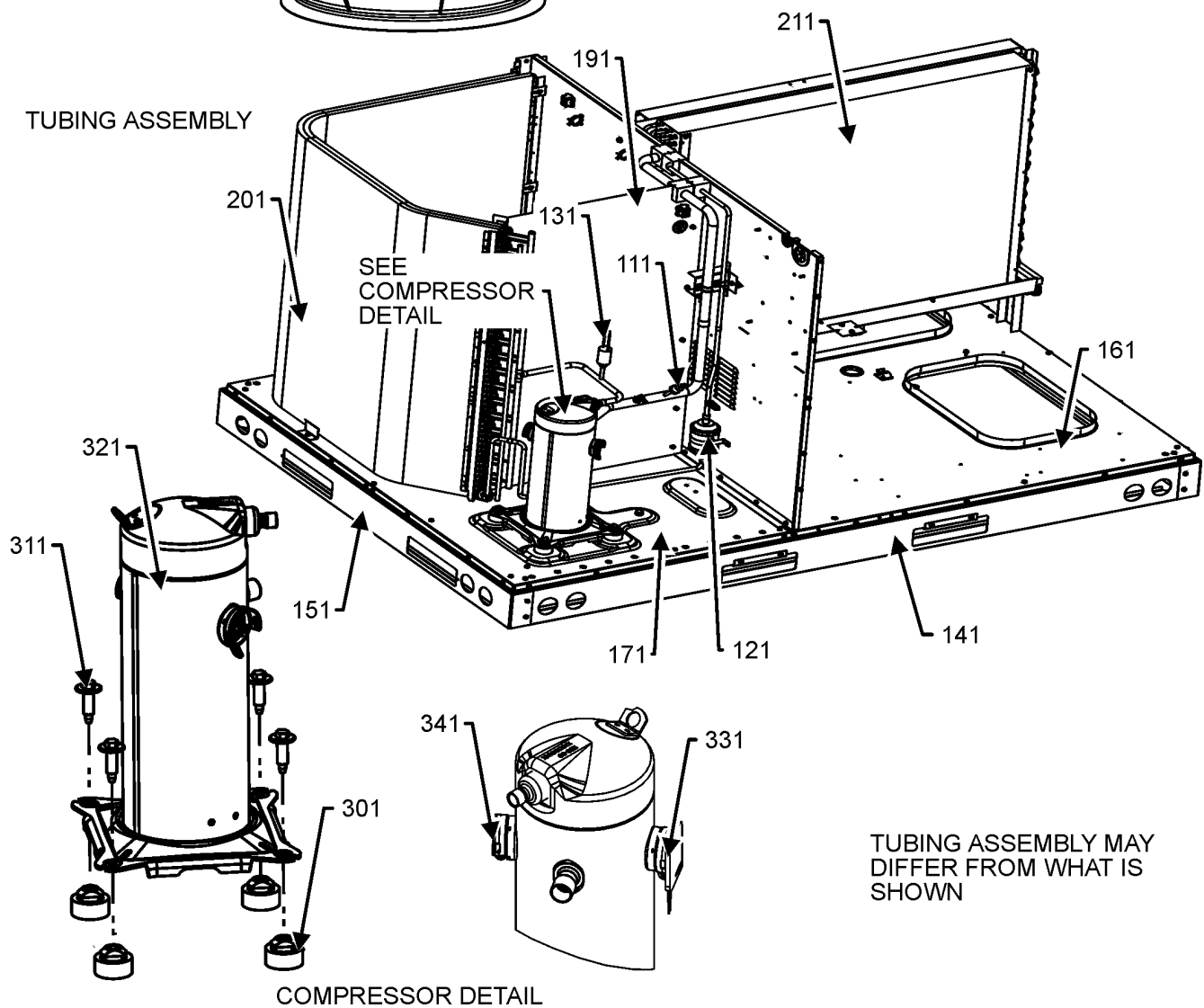
Expanded Model Nomenclature

M1 - DRG0361DH00001SAA
M2 - DRG0361DL00001SAA
M3 - DRG0361DM00001SAA
M4 - DRG0363DH00001SAA
M5 - DRG0363DL00001SAA
M6 - DRG0363DM00001SAA
M7 - DRG0364DH00001SAA
M8 - DRG0364DL00001SAA
M9 - DRG0364DM00001SAA

TOP PANEL AND TUBING ASSEMBLY



TUBING ASSEMBLY



TOP PANEL AND TUBING ASSEMBLY

Ref. Part No: No:	Description:	Ref. Part No: No:	Description:
-------------------	--------------	-------------------	--------------

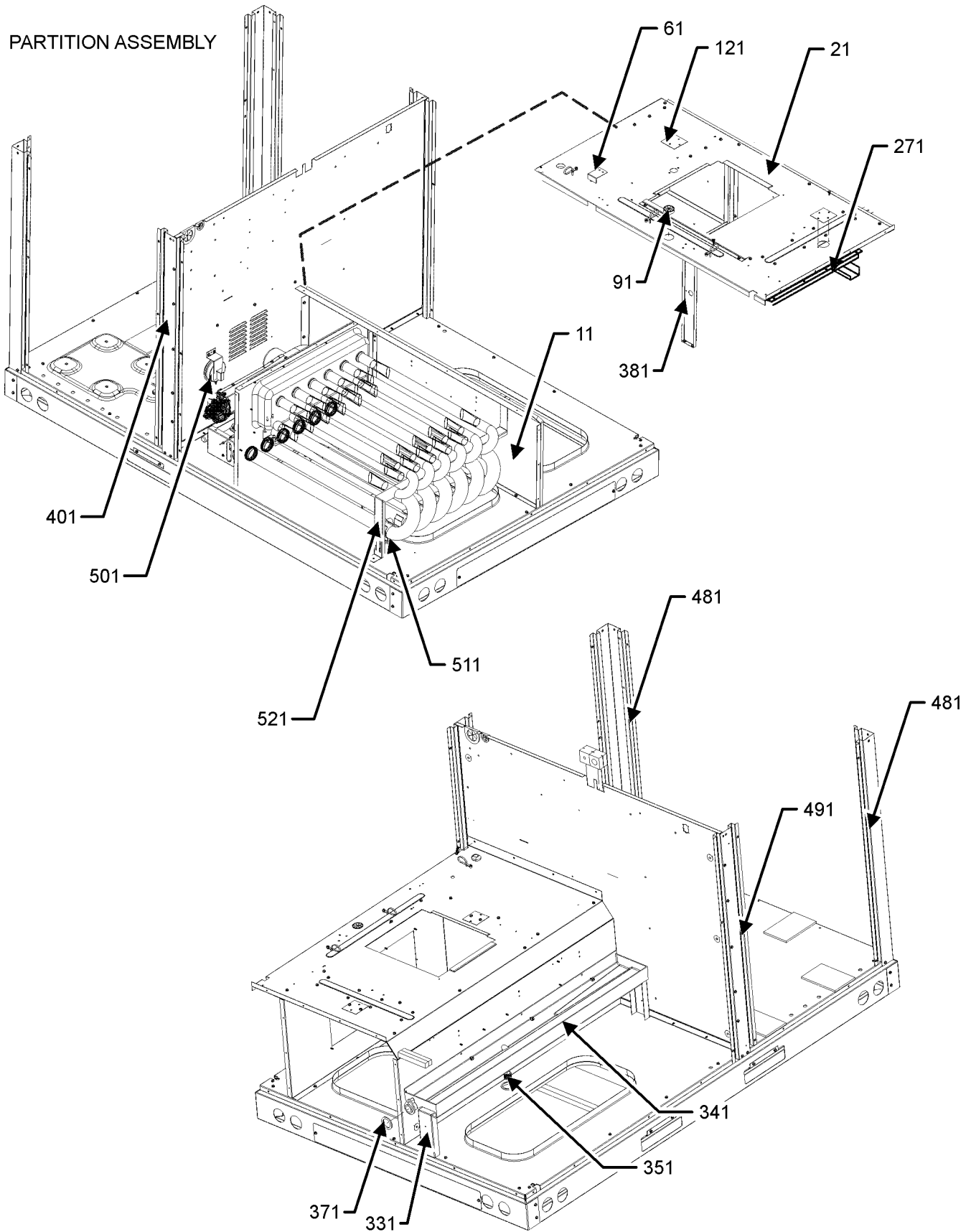
Image 1:

11	0121L01626SB	PAINTED, TOP PANEL
21	0131M00880	MOTOR 1/6 HP, 1SP, 8PL (M1, M2, M3, M4, M5, M6)
21	0131M00871	MOTOR, 1/6 HP, 1 SP, 8 PL (M7, M8, M9)
31	0163M00006P	ACORN NUT 5/16 HEX BLACK (QTY 4)
41	0152G00000	FAN GRILLE, RAISED
51	0161R00003P	CONDUIT
61	10625733	BLADE-FAN 22" ALUM CCW
71	0161L00000	RING VENTURI 22
81	0163M00004	SCREW #10X3/4", BLACK (QTY 8)
111	0130M00087	LOW PRESSURE SWITCH
121	20485201	FILTER/DRIER-BI-FLOW
131	0130M00280	HIGH PRESSURE SWITCH
141	0121L01620	SMALL SIDE RAIL (QTY 2)
151	0121L01621	SMALL END RAIL (QTY 2)
161	0121L01623	INDOOR BASEPAN
171	0121L01622	OUTDOOR BASEPAN
191	0121L02003	OD COIL BLOCKOFF
201	0201L00331	OD COIL ASSY
211	0211L00150	EVAP COIL ASSY
301	B1339533	COMPRESSOR GROMMET (QTY 4)
311	0163L00183	COMP. BOLT & SLEEVE (QTY 4)
321	ZPS30K5EPFV130	COMP,30000,208/230 (M1, M2, M3)
321	ZPS30K5ETF5130	COMPRESSOR (M4, M5, M6)
321	ZPS30K5ETFD130	COMPRESSOR (M7, M8, M9)
331	0159L00065	HARNESS, COMP SCROLL (M4, M5, M6, M7, M8, M9)
331	0159L00027	HARNESS-COMP SCROLL (M1, M2, M3)
341	0159G00010	CABLE, COMPR SCROLL
NS	0141L00003X	BOARD-FORK (QTY 2)
NS	0121L03516	PNL, BRACKET, FORK BOARD (QTY 4)
NS	0163M00005P	WASHER, BLACK (.50 OD .218ID) (QTY 4)

Expanded Model Nomenclature

- | |
|------------------------|
| M1 - DRG0361DH00001SAA |
| M2 - DRG0361DL00001SAA |
| M3 - DRG0361DM00001SAA |
| M4 - DRG0363DH00001SAA |
| M5 - DRG0363DL00001SAA |
| M6 - DRG0363DM00001SAA |
| M7 - DRG0364DH00001SAA |
| M8 - DRG0364DL00001SAA |
| M9 - DRG0364DM00001SAA |

PARTITION ASSEMBLY



PARTITION ASSEMBLY

Ref. Part No:	Ref. Part No:	Description:	Description:
---------------	---------------	--------------	--------------

Image 1:

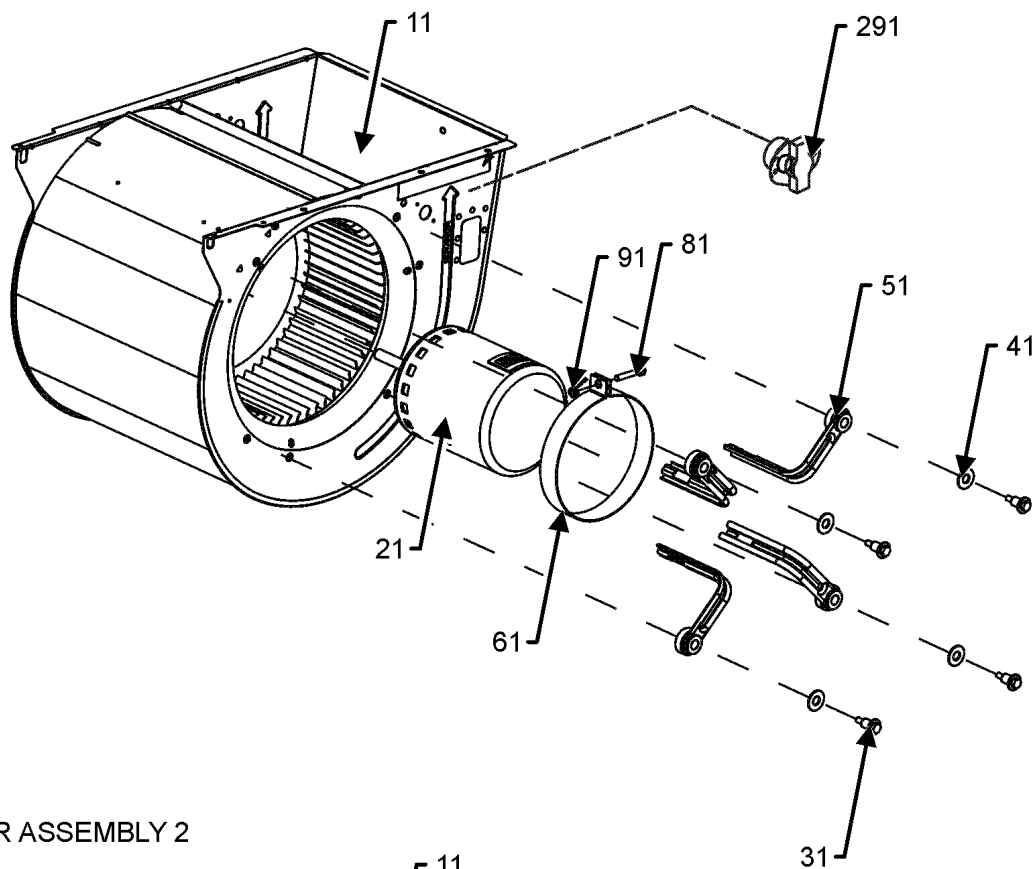
11	0121L02584	BLOWER DECK SIDE
21	0121L03316	PANEL, BLOWER DECK
61	0121L01709	BLOWER DECK PLATE
91	B1392147	UNIVERSIAL BUSHING WITH SLICE (QTY 2)
121	0121L00321	COVER-SMOKE DETECTOR (QTY 2)
271	0121L02633	BLOWER DECK U-BRACKET
331	0121L01729	DRAIN PAN SUPPORT
341	0161L00007	DRAIN PAN, EVAPORATOR 3-5 TON
351	0163L00071	PLUG, DRAIN
371	0154L00180	GASKET, DRAIN PAN
381	0121L00300	POST-DECK SUPPORT
401	0121L03442SB	PAINTED, SIDE POST
481	0121L01728SB	PAINTED CORNER POST (QTY 2)
491	0121L02697SB	PAINTED SIDE POST
501	11112501	SWITCH-PRESSURE
511	0121L02935	BRACKET, SUPPORT, TUBE
521	0121L03320	BRACKET, TUBE SUPPORT
NS	0160L00173	AIR FILTER 14X20X2 (QTY 4)
NS	A4568804	GROMMET-D
NS	0164G00005	GROMMET-HORSESHOW 1.675
NS	0121L01954	OD COIL BLOCKOFF ANGLE

Expanded Model Nomenclature

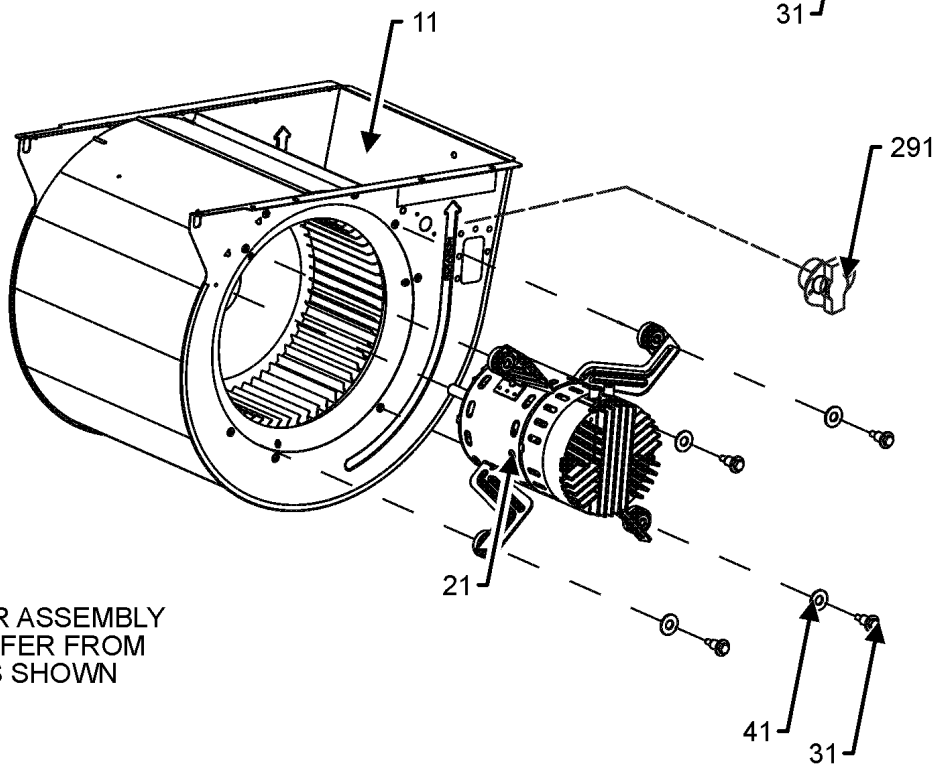
M1 - DRG0361DH00001SAA
M2 - DRG0361DL00001SAA
M3 - DRG0361DM00001SAA
M4 - DRG0363DH00001SAA
M5 - DRG0363DL00001SAA
M6 - DRG0363DM00001SAA
M7 - DRG0364DH00001SAA
M8 - DRG0364DL00001SAA
M9 - DRG0364DM00001SAA

BLOWER ASSEMBLY

BLOWER ASSEMBLY 1



BLOWER ASSEMBLY 2



BLOWER ASSEMBLY
MAY DIFFER FROM
WHAT IS SHOWN

BLOWER ASSEMBLY

Ref. Part No:	No:	Description:	Ref. Part No:	No:	Description:
---------------	-----	--------------	---------------	-----	--------------

Image 1:

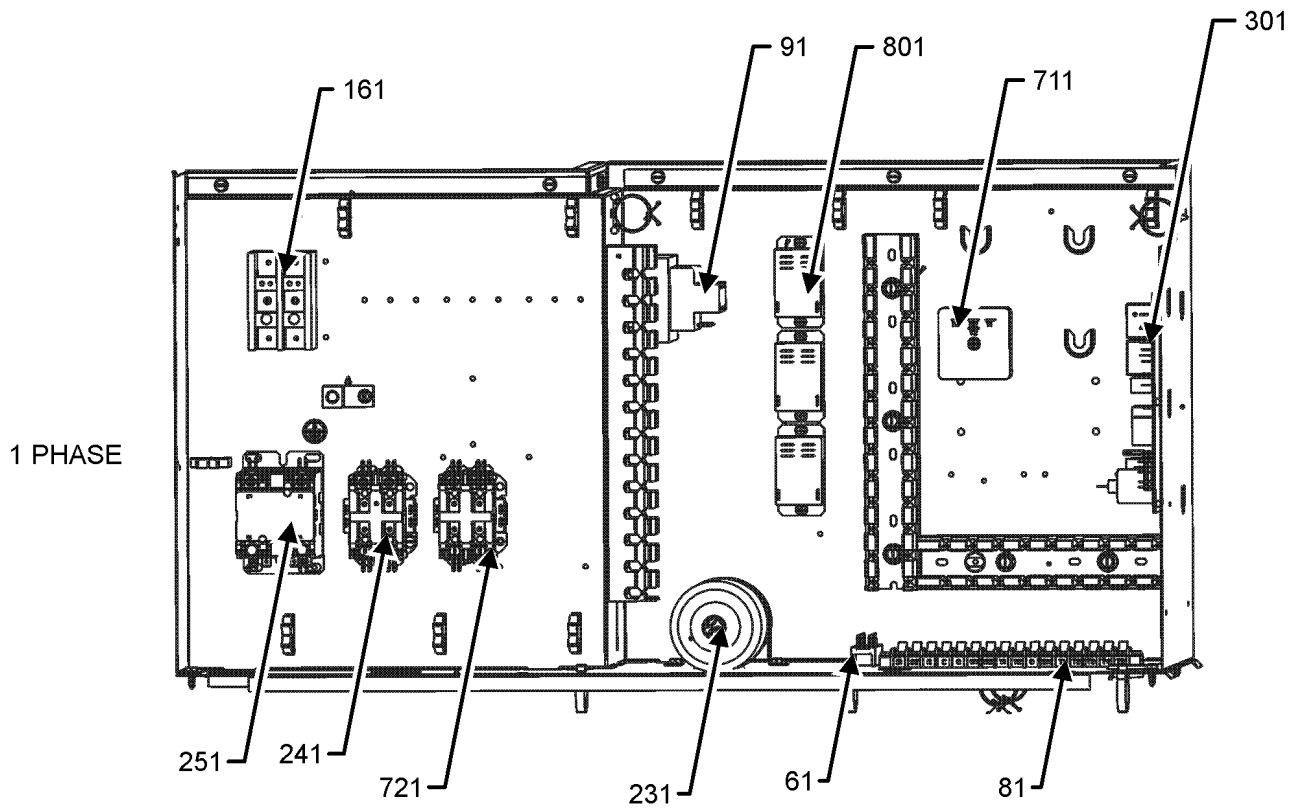
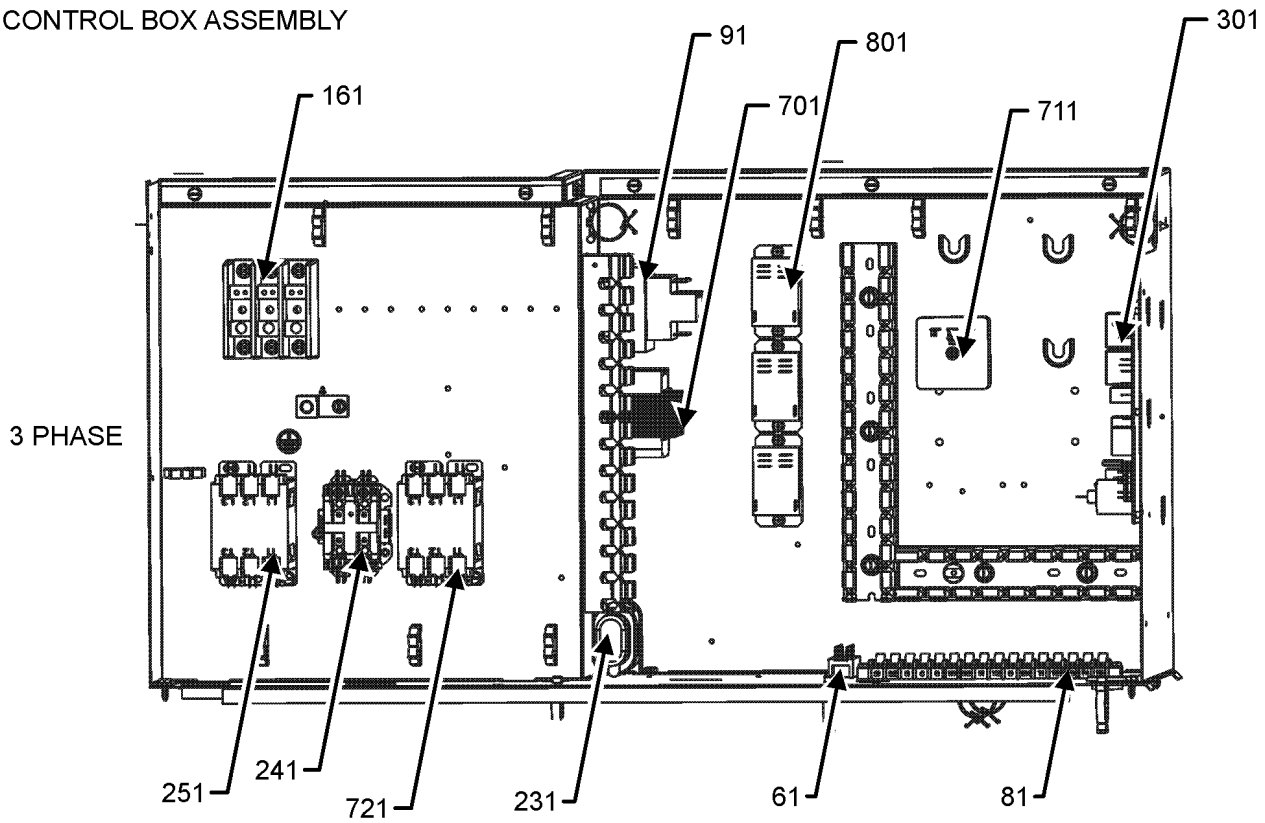
11	0271L00137	ASSY., BLOWER HOUSING (M7, M8, M9)
11	0271L00133	ASSY., HOUSING, BLWR (M1, M2, M3, M4, M5,
21	0131L00248	MOTOR, PROGRAM (M3, M6)
21	0131L00249	MOTOR, PROGRAM (M9)
21	0131L00250	MOTOR, PROGRAM (M7)
21	0131L00099	PROGRAM, MOTOR (M2, M5)
21	0131L00129	PROGRAM, MOTOR (M1, M4)
21	0131L00142	PROGRAM, MOTOR (M8)
31	M0250565	SCREW-TC 1.25" (QTY 4)
41	B1392918	WASHER, FLAT 1/4 ID X 1 OD (QTY 4)
51	0163A00008	MOTOR MOUNTING ARM (M1, M2, M3, M4, M5, M6)
61	10441601	BAND-MTR MOUNT (M1, M2, M3, M4, M5, M6)
81	M0267144	SCREW-MACH (M1, M2, M3, M4, M5, M6)
91	M0282015	NUT-KEPS (M1, M2, M3, M4, M5, M6)
291	20162904	LIMIT-BROWN

Expanded Model Nomenclature

M1 - DRG0361DH00001SAA
M2 - DRG0361DL00001SAA
M3 - DRG0361DM00001SAA
M4 - DRG0363DH00001SAA
M5 - DRG0363DL00001SAA
M6 - DRG0363DM00001SAA
M7 - DRG0364DH00001SAA
M8 - DRG0364DL00001SAA
M9 - DRG0364DM00001SAA

CONTROL BOX ASSEMBLY

CONTROL BOX ASSEMBLY



CONTROL BOX ASSEMBLY

Ref. Part

No: No:

Description:

Ref. Part

No: No:

Description:

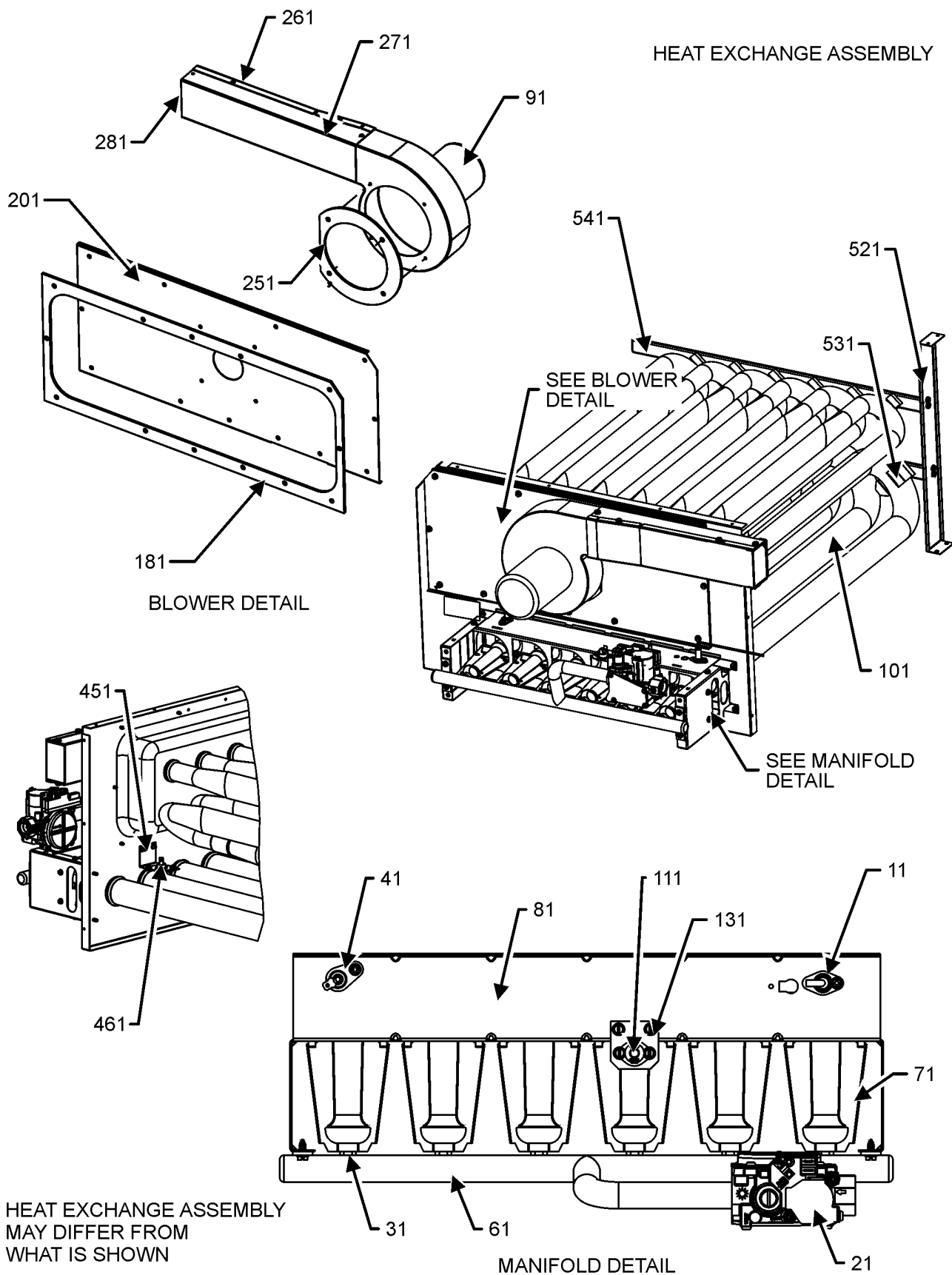
Image 1:

61	802007090	TERM BOARD
81	0130M00038	TERMINAL BOARD
91	B1141654	TRANSFORMER 208-240 75VA RESET (M1, M2, M3, M4, M5, M6)
91	0130M00595	TRANSFORMER, 75VA, 480V TO 24V (M7, M8, M9)
161	16220-2	BLOCK-POWER (M1, M2, M3)
161	16220-3	BLOCK-POWER (M4, M5, M6, M7, M8, M9)
231	CAP050000370LA	CAP 5 MFD/370V/OVAL (M4, M5, M6)
231	CAP050400440CT	CAP 5/40 MFD/440V DUAL RD (M1, M2, M3)
241	CONT2P025024V	CONT, 2 POLE, 25 AMP, 24 VAC
251	CONT3P030024V	CONT, 3 POLE, 30 AMP, 24VAC (M4, M5, M6)
251	0130M00513	CONTACTOR (M1, M2, M3)
301	PCBAG123	PCB, IGNITION, DSI, INTEG
701	0130M00596	TRANSFMR, 150VA, 480V TO 23 (M7, M8, M9)
711	B1370772	TIME DELAY (ICM) 180 SEC DEL
721	CONT3P025024V	CONT, 3 POLE, 25 AMP, 24 VAC (M7, M8, M9)
721	CONT3P030024V	CONT, 3 POLE, 30 AMP, 24 VAC (M4, M5, M6)
801	0130M00178	DPDT RELAY 24 VAC (QTY 3)
NS	B821700	BOOT, CAPACITOR (M4, M5, M6, M7, M8, M9)
NS	0164M00079	BOOT-CAPACITOR, ROUND (M1, M2, M3)
NS	0130M00507	MOTOR POWER HARNESS (M1, M2, M3, M4, M5, M6)
NS	20520901	STRAP-CAPACITOR
NS	0259L01032	WIRE HARNESS ASSY
NS	0259L01033	WIRE HARNESS ASSY
NS	0259L01052	WIRE HARNESS ASSY
NS	0259L01200	WIRE HARNESS ASSY (M7, M8, M9)
NS	0259L00528	WIRE HARNESS ASSY.
NS	0259L00533	WIRE HARNESS ASSY.
NS	0259L00535	WIRE HARNESS ASSY.
NS	0259L00538	WIRE HARNESS ASSY.
NS	0259L00540	WIRE HARNESS ASSY. (M4, M5, M6)
NS	0259L00541	WIRE HARNESS ASSY. (M4, M5, M6)
NS	0259L00624	WIRE HARNESS ASSY.
NS	0259L00625	WIRE HARNESS ASSY.
NS	0259L00628	WIRE HARNESS ASSY.
NS	0259L00629	WIRE HARNESS ASSY. (M4, M5, M6, M7, M8, M9)
NS	0259L00687	WIRE HARNESS ASSY. (M1, M2, M3)
NS	0259L00688	WIRE HARNESS ASSY. (M1, M2, M3)
NS	0259L00689	WIRE HARNESS ASSY. (M1, M2, M3)
NS	0259L00733	WIRE HARNESS ASSY.
NS	0259L00753	WIRE HARNESS ASSY. (M7, M8, M9)
NS	0259L00754	WIRE HARNESS ASSY. (M7, M8, M9)
NS	0259L00860	WIRE HARNESS ASSY.
NS	0259L00861	WIRE HARNESS ASSY.
NS	0259L00862	WIRE HARNESS ASSY.
NS	0259L00863	WIRE HARNESS ASSY.
NS	0259L00864	WIRE HARNESS ASSY.
NS	0259L00867	WIRE HARNESS ASSY. (M4, M5, M6)
NS	0259L00940	WIRE HARNESS ASSY. (M1, M2, M3)
NS	0259L00967	WIRE HARNESS ASSY.
NS	0259L00978	WIRE HARNESS ASSY.
NS	0259L00979	WIRE HARNESS ASSY.
NS	0130M00506	X-13 LOW VOLTAGE WIRE HARNESS (M1, M2, M3, M4, M5, M6)

Expanded Model Nomenclature

M1 - DRG0361DH00001SAA
M2 - DRG0361DL00001SAA
M3 - DRG0361DM00001SAA
M4 - DRG0363DH00001SAA
M5 - DRG0363DL00001SAA
M6 - DRG0363DM00001SAA
M7 - DRG0364DH00001SAA
M8 - DRG0364DL00001SAA
M9 - DRG0364DM00001SAA

HEAT EXCHANGE ASSEMBLY



HEAT EXCHANGE ASSEMBLY
MAY DIFFER FROM
WHAT IS SHOWN

HEAT EXCHANGE ASSEMBLY

Ref. Part No:	Part No:	Description:	Ref. Part No:	Part No:	Description:
---------------	----------	--------------	---------------	----------	--------------

Image 1:

11	20261709	IGNITOR			
21	0151F00000P	GAS VALVE - WHITE-RODGERS 2-STAGE			
31	0163F00018	ORIFICE (QTY 6)			
41	0130F00010	FLAME SENSOR			
61	0163L00143	MANIFOLD, GAS 3 BURNER (M3, M6, M9)			
61	0163L00027	MANIFOLD-GAS 2 BURNER (M2, M5, M8)			
61	0163L00025	MANIFOLD-GAS, 6 BURNER (M1, M4, M7)			
71	0163F00017	BECKETT BURNER (QTY 6)			
81	0121L01360	BRACKET, BURNER 2 (M2, M5, M8)			
81	0121L01363	BRACKET, BURNER 6 (M1, M4, M7)			
81	0121L02668	BURNER BRACKET-3 (M3, M6, M9)			
91	0131M00121	BLOWER-ID COMBUSTION			
101	0270L01364	ASSY, PANEL, PARTITION/TUBE, 2 (M2, M5, M8)			
101	0270L01363	ASSY, PANEL, PARTITION/TUBE, 3 (M3, M6, M9)			
101	0270L01360	ASSY, PANEL, PARTITION/TUBE, 6 (M1, M4, M7)			
111	10123532	MANUAL RESET LIMIT 350°F			
131	0121L00053	BRACKET-FLAME ROLLOUT			
181	0154L00018	GASKET-ID BLOWER PLATE 2,4 (M2, M3, M5, M6, M8, M9)			
181	0154L00017	GASKET-ID BLOWER PLATE 6 (M1, M4, M7)			
201	0121L02661	PLATE, ID BLOWER (M2, M5, M8)			
201	0121L02662	PLATE, ID BLOWER (M3, M6, M9)			
201	0121L02663	PLATE, ID BLOWER (M1, M4, M7)			
251	0154L00020	GASKET-ID BLOWER			
261	0121L00277	FLUE-CHANNEL			
271	0121L00278	FLUE-SIDE COVER			
281	0163L00072	SCREEEN-FLUE			
451	0121L02858	BRACKET, LIMIT PRIMARY			
461	0130F00035	LIMIT, PRIMARY, 220, PURPLE (M1, M3, M4, M6, M7, M9)			
461	0130F00067	LIMIT-RED (M2, M5, M8)			
521	0121L03320	BRACKET, TUBE SUPPORT			
531	0121L03125	BRACKET, TUBE (QTY 6)			
541	0121L02935	BRACKET, SUPPORT, TUBE			
NS	0121F00469	ORIFICE BRACKET-BURNER 2 (M2, M5, M8)			
NS	0121F00468	ORIFICE BRACKET-BURNER 3 (M3, M6, M9)			
NS	0121F00465	ORIFICE BRACKET-BURNER 6 (M1, M4, M7)			

Expanded Model Nomenclature

M1 - DRG0361DH00001SAA
M2 - DRG0361DL00001SAA
M3 - DRG0361DM00001SAA
M4 - DRG0363DH00001SAA
M5 - DRG0363DL00001SAA
M6 - DRG0363DM00001SAA
M7 - DRG0364DH00001SAA
M8 - DRG0364DL00001SAA
M9 - DRG0364DM00001SAA