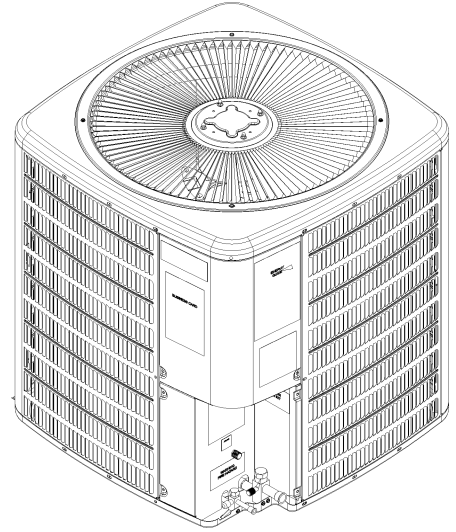


REPAIR PARTS

VSZ14 Remote Heat Pump

VSZ140181AF
VSZ140181AG
VSZ140241AF
VSZ140241AG
VSZ140301AF
VSZ140301AG
VSZ140361AE
VSZ140361AF
VSZ140421AE
VSZ140421AF
VSZ140421AG
VSZ140481AE
VSZ140481AF
VSZ140491AE
VSZ140491AF
VSZ140601AE



This manual is to be used by qualified technicians only.

This manual replaces RP-4320A

© 2017 - 2019 Goodman Manufacturing Company, L.P. ♦ 19001 Kermier Rd. ♦ Waller, TX 77484

Important Information

Index

Functional Parts List	3
Illustration and Parts	4 - 9

Views shown are for parts illustrations only, not servicing procedures

Text Codes:

AR - As Required

NA - Not Available

NS - Not Shown

00000000 - See Note

QTY - Quantity Example (QTY 3) (If Quantity not shown, Quantity = 1)

M - Model Example (M1) (If M Code not shown, then part is used on all Models)

Expanded Model Nomenclature:

Example M1 - Model#1 M2 - Model#2 M3 - Model#3

Goodman Manufacturing Company, L.P. is not responsible for personal injury or property damage resulting from improper service. Review all service information before beginning repairs.

Warranty service must be performed by an authorized technician, using authorized factory parts. If service is required after the warranty expires, Goodman Manufacturing Company, L.P. also recommends contacting an authorized technician and using authorized factory parts.

Goodman Manufacturing Company, L.P. reserves the right to discontinue, or change at any time, specifications or designs without notice or without incurring obligations.

For assistance within the U.S.A. contact:

Homeowner Support

Goodman Manufacturing Company, L.P.

19001 Kermier Road

Waller, Texas 77484

877-254-4729-Telephone

713-863-2382-Facsimile

For assistance outside the U.S.A. contact:

International Division

Goodman Manufacturing Company, L.P.

19001 Kermier Road

Waller, Texas 77484

713-861-2500-Telephone

713-863-2382-Facsimile

Functional Parts

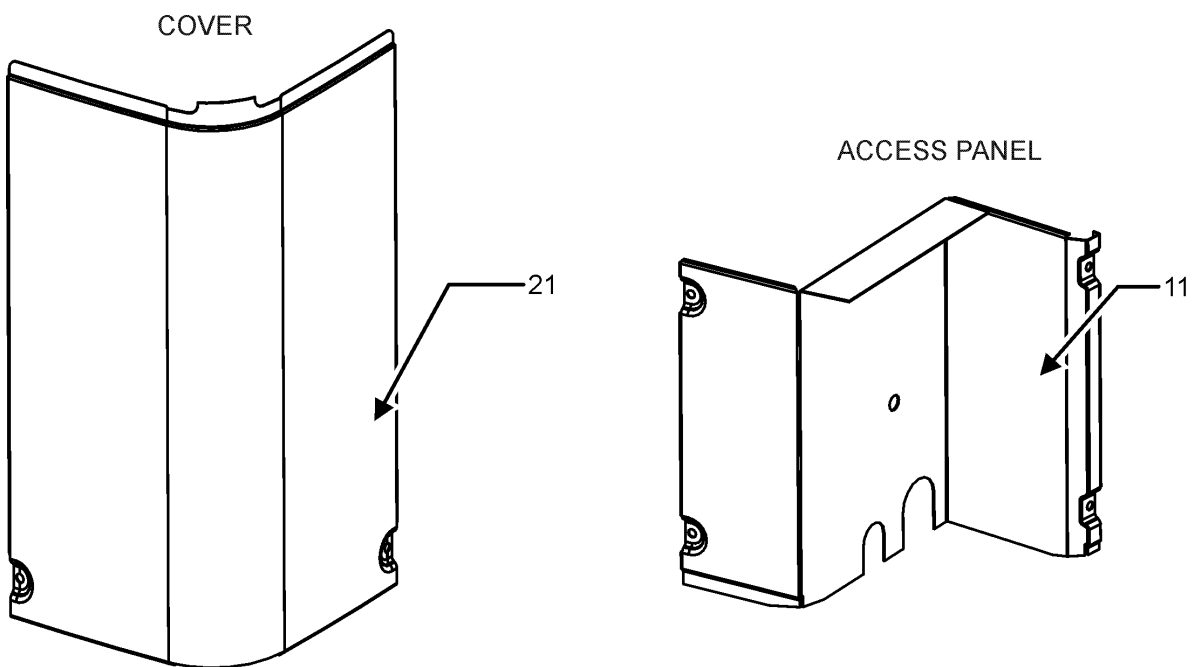
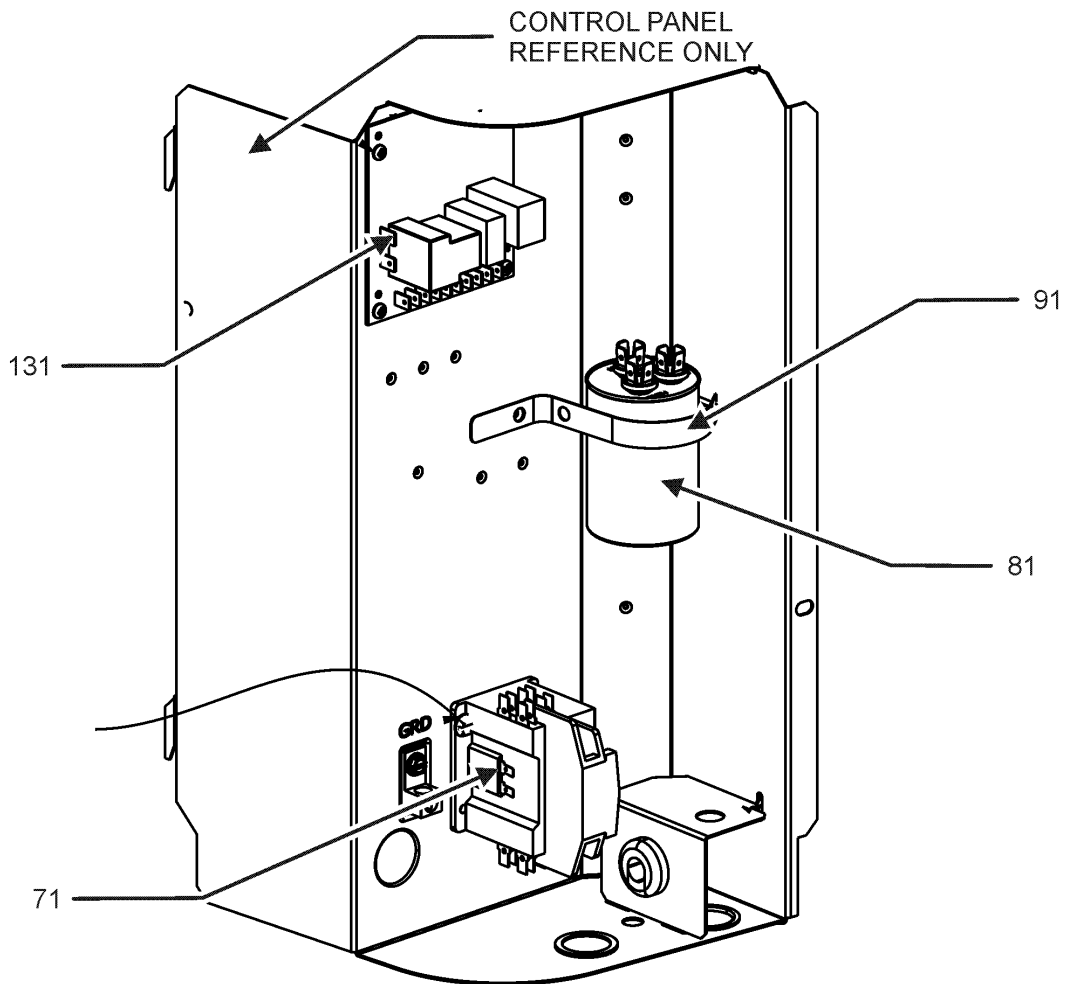
Part No: **Description:**

0151R00167	BASE VALVE 3/8"
CAP050300440CS	CAP,5/30MFD/440V/DUAL RD (M1, M2)
CAP050350440CS	CAPACITOR 5/35/440V (M3, M4, M5, M6)
CAP050450440CT	CAPACITOR 5/45/440V/DUAL RD (M7, M8, M9, M10, M11, M12, M13, M14, M15)
CAP050700440CT	CAPACITOR 5/70/440V/DUAL RD (M16)
ZP14K6EPFV120	COMP, 20200, 208/230/60/1 (M1, M2)
ZP20K6EPFV120	COMP, 27200, 208/230/60/1 (M3, M4)
ZP25K6EPFV120	COMP, 34200, 208/230/60/1 (M5, M6)
ZP31K6EPFV120	COMP, 42500, 208/230/60/1 (M7, M8)
ZP34K6EPFV120	COMP, 46500, 208/230/60/1 (M9, M10, M11)
ZP40K6EPFV120	COMP, 53700, 208/230/60/1 (M12, M13)
ZP39K5EPFV130	COMP,39000,208/230/60/1 (M14, M15)
ZP51K5EPFV130	COMP,51000,208/230/60/1 (M16)
CONT1P025024V	CONTACTOR 25 AMP, 1P, 24V (M1, M2, M3, M4, M5, M6, M7, M8, M9, M10, M11)
CONT1P030024V	CONTACTOR 30 AMP, 1P, 24V (M12, M13, M14, M15, M16)
0130M00250	CONTROL, DEFROST
0130M00089	CUT-OUT SWITCH, HIGH PRESSURE
0130M00088	CUT-OUT SWITCH, LOW PRESSURE
PCBDM133	DEFROST CONTROL BOARD
0130M00106	DISC THERMOSTAT(CRNKCS HTR SW)
0150M00008	FAN BLADE 22" TNT2203-25 (M1, M2, M3, M4, M5, M6, M7, M8)
B1086765	FAN BLADE TYPE 3 (M12, M13)
0150M00054	FAN BLADE, 26" (M9, M10, M11, M14, M15, M16)
0163R00006	HEATER, CRANKCASE 230V, 40W (M1, M2, M3, M4, M5, M6, M7, M8)
0163R00007	HEATER, CRANKCASE 230V, 40W (M9, M10, M11, M12, M13, M14, M15, M16)
0131M00807	MOTOR, 1/4HP,1SP,8PL,AL (M12, M13, M16)
0131M00753	MOTOR, 1/6HP, 1SP, 8PL, AL (M1, M2, M3, M4, M5, M6, M7, M8)
0131M00945	MOTOR, 1/6HP, 8PL (M11)
0131M00754	MOTOR, PSC, 1/6HP, 8PL (M9, M10, M14, M15)
0151R00068	REVERSING VALVE (M1, M2, M3, M4)
0151R00069	REVERSING VALVE (M5, M6, M7, M8)
0151R00071	REVERSING VALVE (M9, M10, M11, M12, M13, M14, M15, M16)
B1225022	SOLENOID COIL

Expanded Model Nomenclature

M1 - VSZ140181AF
M2 - VSZ140181AG
M3 - VSZ140241AF
M4 - VSZ140241AG
M5 - VSZ140301AF
M6 - VSZ140301AG
M7 - VSZ140361AE
M8 - VSZ140361AF
M9 - VSZ140421AE
M10 - VSZ140421AF
M11 - VSZ140421AG
M12 - VSZ140481AE
M13 - VSZ140481AF
M14 - VSZ140491AE
M15 - VSZ140491AF
M16 - VSZ140601AE

Control Box Assembly



Control Box Assembly

Ref. Part No:	Part No:	Description:	Ref. Part No:	Part No:	Description:
---------------	----------	--------------	---------------	----------	--------------

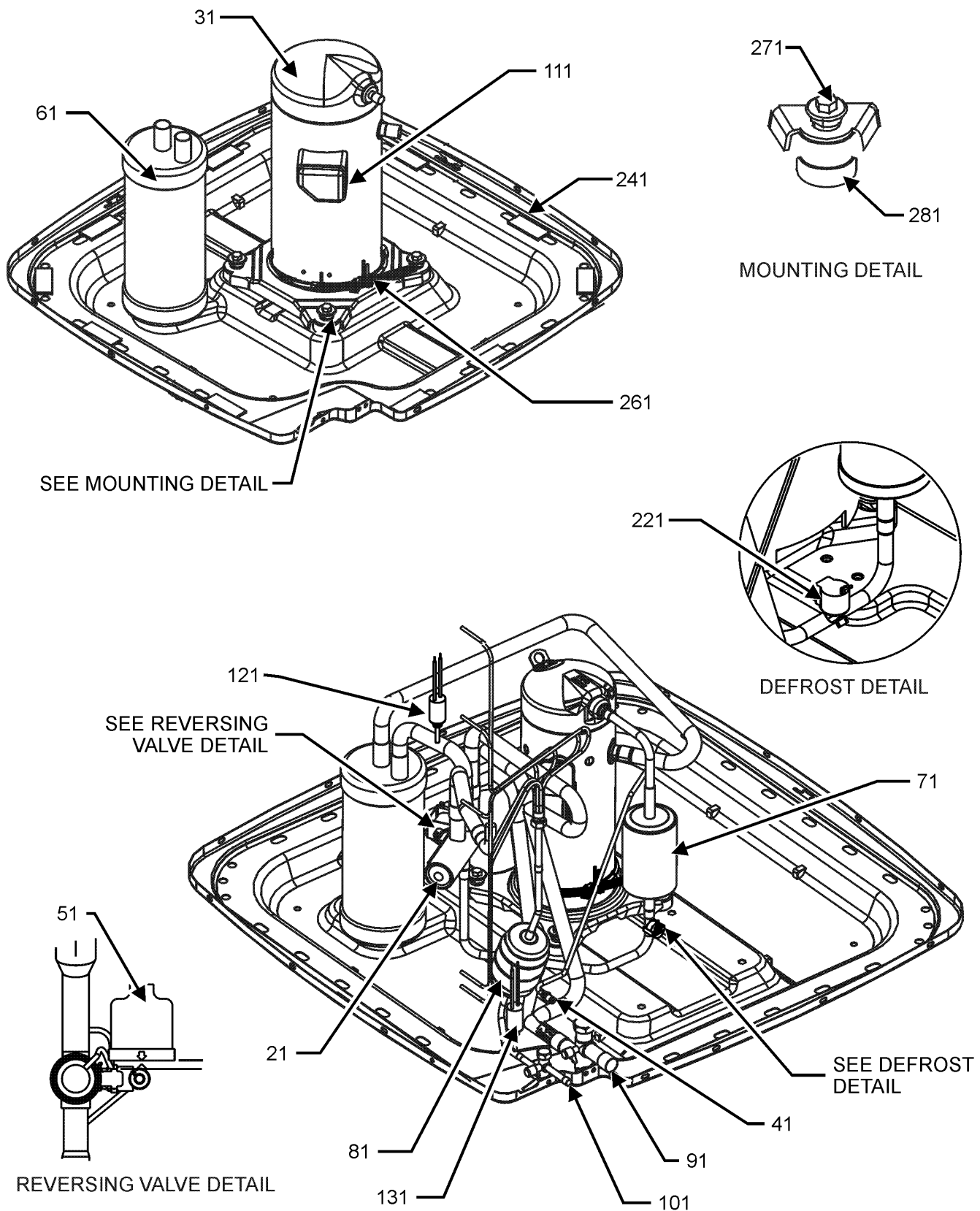
Image 1:

11	0121R00154PDB	LOWER ACCESS PANEL (M5, M6, M7, M8, M12, M13)
11	0121R00328PDB	LOWER ACCESS PANEL (M9, M10, M11)
11	0121R00625PDB	LOWER ACCESS PANEL (M1, M2, M3, M4, M14, M15, M16)
21	0121R00053PDB	CONTROL COVER
71	CONT1P025024V	CONTACTOR 25 AMP, 1P, 24V (M1, M2, M3, M4, M5, M6, M7, M8, M9, M10, M11)
71	CONT1P030024V	CONTACTOR 30 AMP, 1P, 24V (M12, M13, M14, M15, M16)
81	CAP050300440CS	CAP,5/30MFD/440V/DUAL RD (M1, M2)
81	CAP050350440CS	CAPACITOR 5/35/440V (M3, M4, M5, M6)
81	CAP050450440CT	CAPACITOR 5/45/440V/DUAL RD (M7, M8, M9, M10, M11, M12, M13, M14, M15)
81	CAP050700440CT	CAPACITOR 5/70/440V/DUAL RD (M16)
91	4400065	CAPACITOR STRAP
131	PCBDM133	DEFROST CONTROL BOARD

Expanded Model Nomenclature

M1 - VSZ140181AF
M2 - VSZ140181AG
M3 - VSZ140241AF
M4 - VSZ140241AG
M5 - VSZ140301AF
M6 - VSZ140301AG
M7 - VSZ140361AE
M8 - VSZ140361AF
M9 - VSZ140421AE
M10 - VSZ140421AF
M11 - VSZ140421AG
M12 - VSZ140481AE
M13 - VSZ140481AF
M14 - VSZ140491AE
M15 - VSZ140491AF
M16 - VSZ140601AE

Compressor and Tubing Assembly



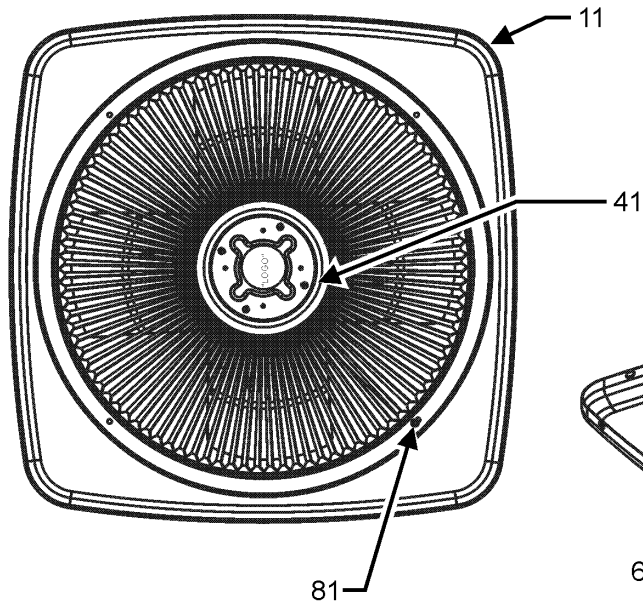
NOTE: TUBING ASSEMBLY MAY DIFFER FROM WHAT IS SHOWN

Compressor and Tubing Assembly

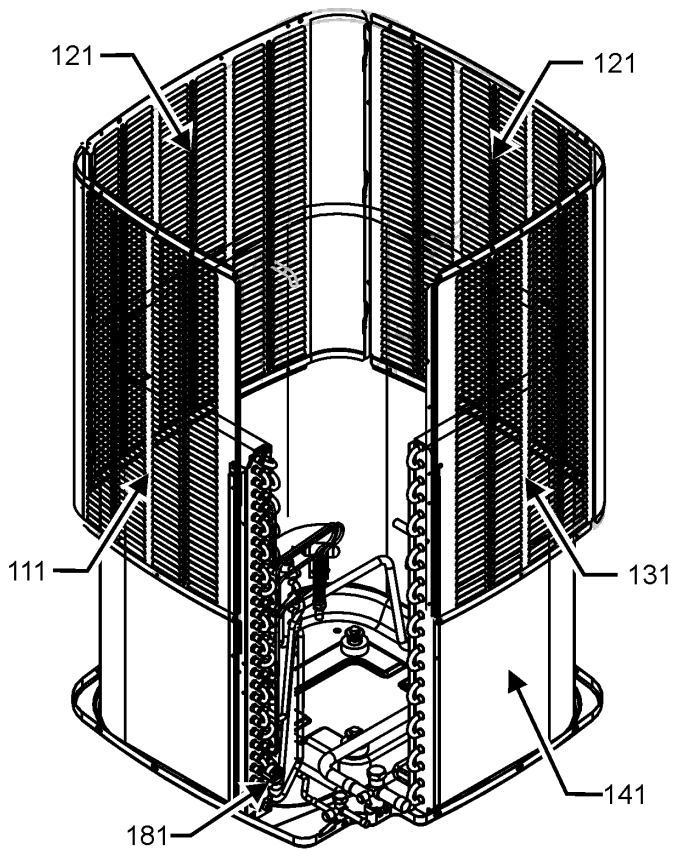
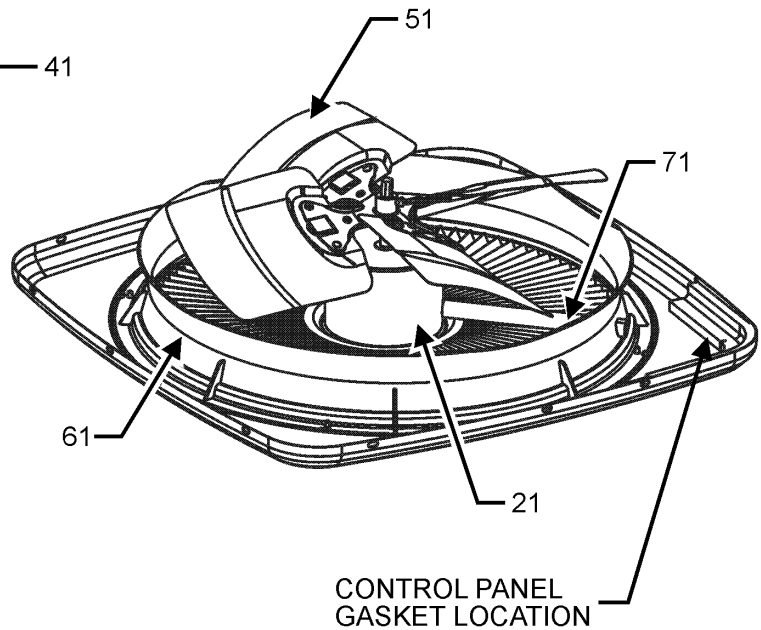
Ref. Part No:	No:	Description:	Ref. Part No:	No:	Description:
<i>Image 1:</i>			Expanded Model Nomenclature		
21	0151R00068	REVERSING VALVE (M1, M2, M3, M4)	M1	-	VSZ140181AF
21	0151R00069	REVERSING VALVE (M5, M6, M7, M8)	M2	-	VSZ140181AG
21	0151R00071	REVERSING VALVE (M9, M10, M11, M12, M13, M14, M15, M16)	M3	-	VSZ140241AF
31	ZP14K6EPFV120	COMP, 20200, 208/230/60/1 (M1, M2)	M4	-	VSZ140241AG
31	ZP20K6EPFV120	COMP, 27200, 208/230/60/1 (M3, M4)	M5	-	VSZ140301AF
31	ZP25K6EPFV120	COMP, 34200, 208/230/60/1 (M5, M6)	M6	-	VSZ140301AG
31	ZP31K6EPFV120	COMP, 42500, 208/230/60/1 (M7, M8)	M7	-	VSZ140361AE
31	ZP34K6EPFV120	COMP, 46500, 208/230/60/1 (M9, M10, M11)	M8	-	VSZ140361AF
31	ZP40K6EPFV120	COMP, 53700, 208/230/60/1 (M12, M13)	M9	-	VSZ140421AE
31	ZP39K5EPFV130	COMP,39000,208/230/60/1 (M14, M15)	M10	-	VSZ140421AF
31	ZP51K5EPFV130	COMP,51000,208/230/60/1 (M16)	M11	-	VSZ140421AG
41	B1787000	VALVE CORE	M12	-	VSZ140481AE
51	0130M00410	REVERSING VALVE HARNESS	M13	-	VSZ140481AF
61	0151L00008	ACCUMULATOR (M7, M8)	M14	-	VSZ140491AE
61	B1226207	ACCUMULATOR (M9, M10, M11, M12, M13, M14, M15, M16)	M15	-	VSZ140491AF
61	0151R00004P	ACCUMULATOR .750 (M1, M2, M3, M4, M5, M6)	M16	-	VSZ140601AE
71	0162R00007	MUFFLER 1/2 X 1/2			
81	20485201	BI-FLOW FILTER DRIER			
91	0151R00079	BASE VALVE 3/4" (M1, M2, M3, M4, M5, M6, M7, M9, M10, M11, M12, M13, M14, M15, M16)			
91	0151R00080	BASE VALVE 7/8" (M9, M10, M11, M12, M13, M14, M15, M16)			
101	0151R00167	BASE VALVE 3/8"			
111	0159R00001P	HARNESS, COMP SCROLL 130 42" (M1, M2, M3, M4, M5, M6, M7, M8, M12, M13)			
111	0159R00002P	HARNESS, COMP SCROLL 130 46" (M9, M10, M11, M14, M15)			
111	0159R00017	HARNESS, COMP-SCROLL (M16)			
121	0130M00088	CUT-OUT SWITCH, LOW PRESSURE			
131	0130M00089	CUT-OUT SWITCH, HIGH PRESSURE			
221	0130M00106	DISC THERMOSTAT(CRNKCS HTR SW)			
241	0121R00006	BASE PAN, 29" (M1, M2, M3, M4, M5, M6, M7, M8, M12, M13)			
241	0121R00007	BASE PAN, 35.5" (M9, M10, M11, M14, M15, M16)			
261	0163R00006	HEATER, CRANKCASE 230V, 40W (M1, M2, M3, M4, M5, M6, M7, M8)			
261	0163R00007	HEATER, CRANKCASE 230V, 40W (M9, M10, M11, M12, M13, M14, M15, M16)			
271	B1339533	COMPRESSOR GROMMET (QTY 4)			
281	M0221641	TF SHOULDER SCREW (QTY 4)			
NS	0163M00175	CAP WITH O-RING			
NS	B1225022	SOLENOID COIL			

Cabinet Top and Side Panel Assembly

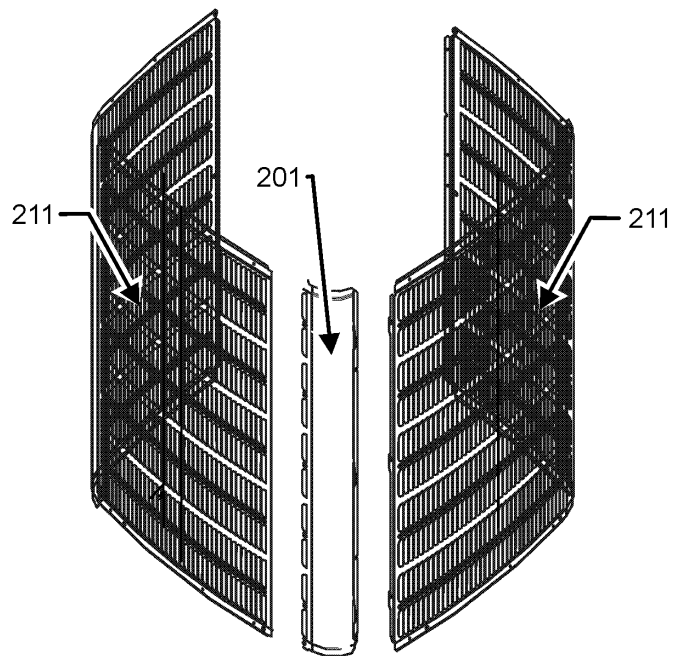
TOP VIEW



BOTTOM VIEW



LOUVER STYLE 1



LOUVER STYLE 2

Cabinet Top and Side Panel Assembly

Ref. Part No:	Ref. Part No:	Description:	Description:
Image 1:		Expanded Model Nomenclature	
11	0121R00010PDB	TOP PANEL 29" (M1, M2, M3, M4, M5, M6, M7, M8, M12, M13)	M1 - VSZ140181AF
11	0121R00269PDB	TOP PANEL 35" (M9, M10, M11, M14, M15, M16)	M2 - VSZ140181AG
21	0131M00807	MOTOR, 1/4HP, 1SP, 8PL, AL (M12, M13, M16)	M3 - VSZ140241AF
21	0131M00753	MOTOR, 1/6HP, 1SP, 8PL, AL (M1, M2, M3, M4, M5, M6, M7, M8)	M4 - VSZ140241AG
21	0131M00945	MOTOR, 1/6HP, 8PL (M11)	M5 - VSZ140301AF
21	0131M00754	MOTOR, PSC, 1/6HP, 8PL (M9, M10, M14, M15)	M6 - VSZ140301AG
41	0163M00006P	ACORN NUT 5/16 HEX BLACK (QTY 4)	M7 - VSZ140361AE
51	0150M00008	FAN BLADE 22" TNT2203-25 (M1, M2, M3, M4, M5, M6, M7, M8)	M8 - VSZ140361AF
51	B1086765	FAN BLADE TYPE 3 (M12, M13)	M9 - VSZ140421AE
51	0150M00054	FAN BLADE, 26" (M9, M10, M11, M14, M15, M16)	M10 - VSZ140421AF
61	0161R00048	MOLDED RING-VENTURI 22 (M1, M2, M3, M4, M5, M6, M7, M8, M12, M13)	M11 - VSZ140421AG
61	0161R00049	MOLDED RING-VENTURI 26" (M9, M10, M11, M14, M15, M16)	M12 - VSZ140481AE
71	0161R00002P	CONDUIT (M1, M2, M3, M4, M5, M6, M7, M8, M12, M13)	M13 - VSZ140481AF
71	0161R00004P	CONDUIT (M9, M10, M11, M14, M15, M16)	M14 - VSZ140491AE
111	0121R00592PDBB	PANEL 1, BENT LOUVER 35_34.64 (M14, M15,	M15 - VSZ140491AF
111	0121R00593PDBB	PANEL 1, BENT LOUVER 35_39.84 (M9, M10, M11)	M16 - VSZ140601AE
121	0121R00594PDBB	PANEL 2, BENT LOUVER 35_34.64 (M14, M15,	
121	0121R00595PDBB	PANEL 2, BENT LOUVER 35_39.84 (M9, M10, M11)	
131	0121R00596PDB	PANEL 3, LOUVER 35_34.64 PNT (M14, M15, M16)	
131	0121R00597PDB	PANEL 3, LOUVER 35_39.84 PNT (M9, M10, M11)	
141	0201R00515	COIL TUBING ASSY (M9, M10, M11)	
141	0201R00567	COIL TUBING ASSY (M14, M15, M16)	
141	0201R00581	COIL TUBING ASSY (M12, M13)	
141	0201R00668	COIL TUBING ASSY (M1, M2)	
141	0201R00669	COIL TUBING ASSY (M3, M4)	
141	0201R00670	COIL TUBING ASSY (M5, M6)	
141	0201R00671	COIL TUBING ASSY (M7, M8)	
181	0130M00250	CONTROL, DEFROST	
201	0121R00583PDB	LOUVER POST, PBB 33.14 (M1, M2, M3, M4)	
201	0121R00355PDB	LOUVER POST, PBB 34.88 (M5, M6, M7, M8, M12, M13)	
211	0121R00586PDB	LOUVER PANEL, 29" CHASSIS (M1, M2, M3, M4)	
211	0121R00587PDB	LOUVER PANEL, 29" CHASSIS (M5, M6, M7, M8, M12, M13)	
NS	B1789872	FLOW CHECK PISTON KIT (M7, M8)	
NS	B1789851	FLOW CHECK PISTON KIT .051 (M1, M2)	
NS	B1789857	FLOW CHECK PISTON KIT .057 (M3, M4)	
NS	B1789865	FLOW CHECK PISTON KIT .065 (M5, M6)	
NS	B1789878	FLOW CHECK PISTON KIT .078 (M9, M10, M11)	
NS	B1789880	FLOW CHECK PISTON KIT .080 (M12, M13, M14, M15)	
NS	B1789888	FLOW CHECK PISTON KIT .088 (M16)	