



REPAIR PARTS

GSZ14 Remote Heat Pump

GSZ140191AA
GSZ140191AB
GSZ140191AC
GSZ140251AA
GSZ140251AB
GSZ140251AC
GSZ140311AA
GSZ140311AB
GSZ140311AC
GSZ140371AA
GSZ140371AB
GSZ140371AC



This manual is to be used by qualified technicians only.

This manual replaces RP-G4300C.

© 2018 - 2019 Goodman Manufacturing Company, L.P. ♦ 19001 Kermier Rd. ♦ Waller, TX 77484

Important Information

Index

Functional Parts List	3
Illustration and Parts	4 - 9

Views shown are for parts illustrations only, not servicing procedures

Text Codes:

AR - As Required

NA - Not Available

NS - Not Shown

00000000 - See Note

QTY - Quantity Example (QTY 3) (If Quantity not shown, Quantity = 1)

M - Model Example (M1) (If M Code not shown, then part is used on all Models)

Expanded Model Nomenclature:

Example M1 - Model#1 M2 - Model#2 M3 - Model#3

Goodman Manufacturing Company, L.P. is not responsible for personal injury or property damage resulting from improper service. Review all service information before beginning repairs.

Warranty service must be performed by an authorized technician, using authorized factory parts. If service is required after the warranty expires, Goodman Manufacturing Company, L.P. also recommends contacting an authorized technician and using authorized factory parts.

Goodman Manufacturing Company, L.P. reserves the right to discontinue, or change at any time, specifications or designs without notice or without incurring obligations.

For assistance within the U.S.A. contact:
Homeowner Support
Goodman Manufacturing Company, L.P.
19001 Kermier Road
Waller, Texas 77484
877-254-4729-Telephone
713-863-2382-Facsimile

For assistance outside the U.S.A. contact:
International Division
Goodman Manufacturing Company, L.P.
19001 Kermier Road
Waller, Texas 77484
713-861-2500-Telephone
713-863-2382-Facsimile

Functional Parts

Part No: **Description:**

0151R00190	ADJUSTABLE VALVE, TXV R410A (M7, M8, M9)
0151R00192	ADJUSTABLE VALVE, TXV R410A (M1, M2, M3, M4, M5, M6)
0151R00193	ADJUSTABLE VALVE, TXV R410A (M10, M11, M12)
0151R00079	BASE VALVE 3/4" (M1, M2, M3, M4, M5, M6, M7, M8, M9)
0151R00167	BASE VALVE 3/8"
0151R00080	BASE VALVE 7/8" (M10, M11, M12)
CAP050300440CS	CAP,5/30MFD/440V/DUAL RD (M1, M2, M3)
CAP050350440CS	CAPACITOR 5/35/440V (M4, M5, M6, M7, M8, M9)
CAP050450440CT	CAPACITOR 5/45/440V/DUAL RD (M10, M11, M12)
ZP14K6EPFV120	COMP, 20200, 208/230/60/1 (M1, M2, M3)
ZP20K6EPFV120	COMP, 27200, 208/230/60/1 (M4, M5, M6)
ZP25K6EPFV120	COMP, 34200, 208/230/60/1 (M7, M8, M9)
ZP29K6EPFV120	COMP, 39700, 208/230/60/1 (M10, M11, M12)
CONT1P025024V	CONTACTOR 25 AMP, 1P, 24V
0130M00250	CONTROL, DEFROST
PCBDM133	DEFROST CONTROL BOARD
0130M00106	DISC THERMOSTAT(CRNKCS HTR SW)
0150M00008	FAN BLADE 22" TNT2203-25 (M1, M2, M3, M4, M5, M6)
10625738	FAN BLADE 26" ALUM CCW (M10)
0150M00054	FAN BLADE, 26" (M7, M8, M9, M11, M12)
0163R00006	HEATER, CRANKCASE 230V, 40W
0130M00089	HIGH PRESSURE SWITCH
0130M00088	LOW PRESSURE SWITCH
0131M00061	MOTOR, 1/4HP, 1SP, 8PL (M10)
0131M00807	MOTOR, 1/4HP,1SP,8PL,AL (M11, M12)
0131M00753	MOTOR, 1/6HP, 1SP, 8PL, AL (M1, M2, M3, M4, M5, M6)
0131M00945	MOTOR, 1/6HP, 8PL (M9)
0131M00754	MOTOR, PSC, 1/6HP, 8PL (M7, M8)
0151R00071	REVERSING VALVE (M10, M11, M12)
0151R00068	REVERSING VALVE (M7, M8, M9)
0151R00069	REVERSING VALVE (M1, M2, M3, M4, M5, M6)
B1225022	SOLENOID COIL

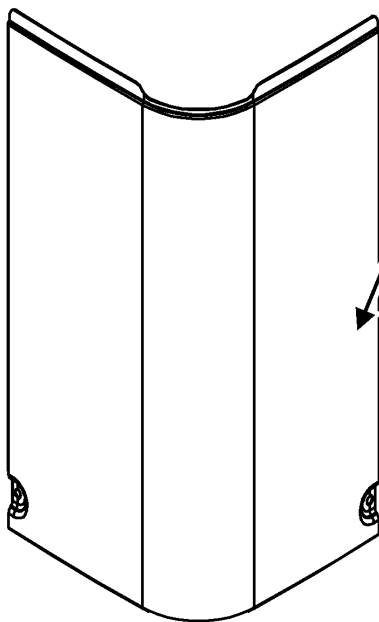
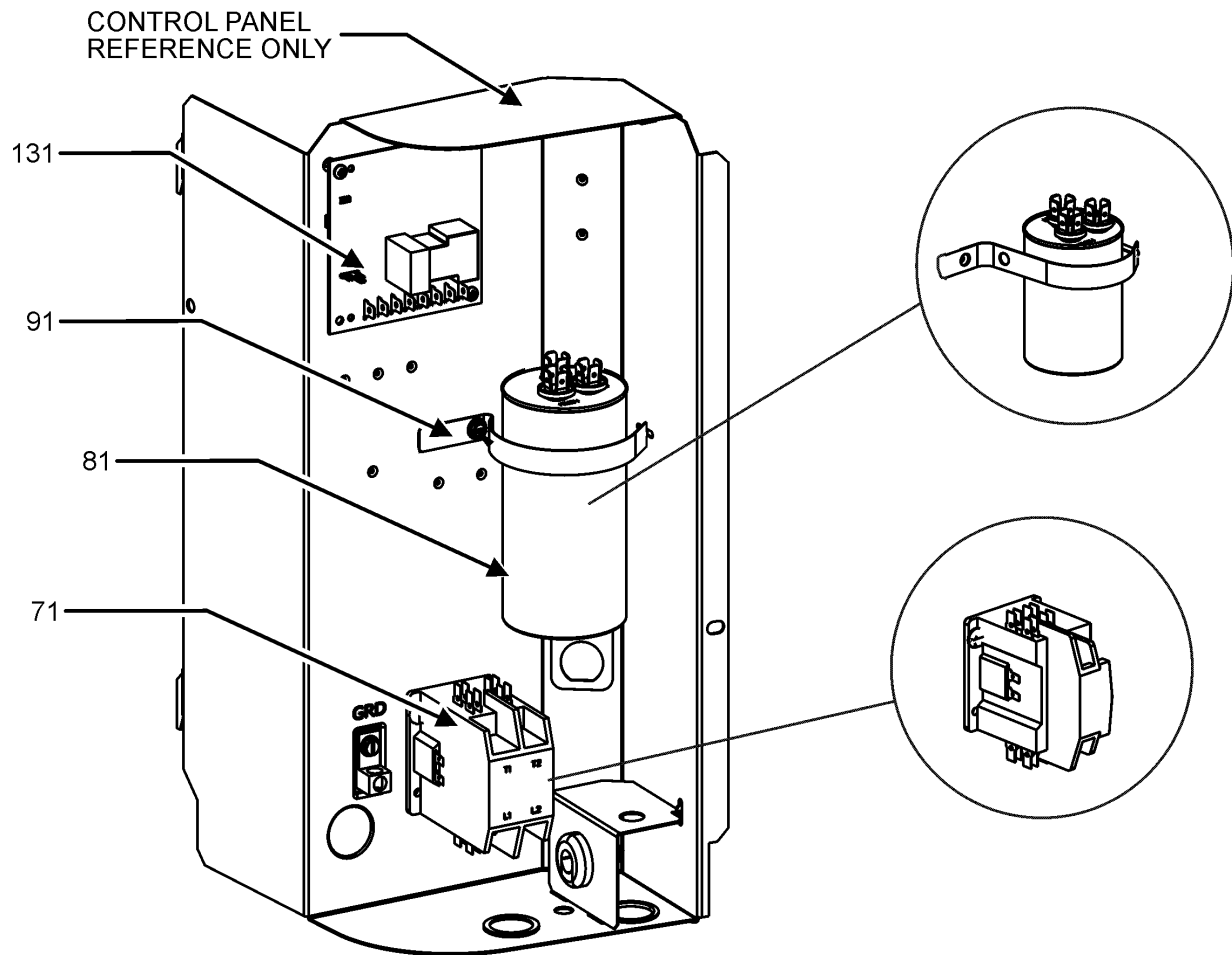
Expanded Model Nomenclature

M1 - GSZ140191AA
M2 - GSZ140191AB
M3 - GSZ140191AC
M4 - GSZ140251AA
M5 - GSZ140251AB
M6 - GSZ140251AC
M7 - GSZ140311AA
M8 - GSZ140311AB
M9 - GSZ140311AC
M10 - GSZ140371AA
M11 - GSZ140371AB
M12 - GSZ140371AC

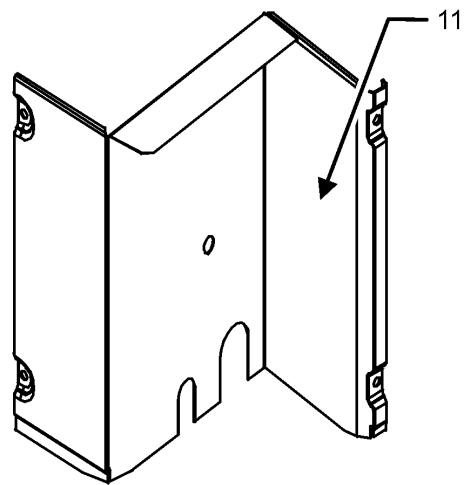
SPECIAL PARTS

0161R00092	NAMEPLATE, GOODMAN
------------	--------------------

Control Box Assembly



UPPER ACCESS PANEL



LOWER ACCESS PANEL

Control Box Assembly

Ref. Part No:	Part No:	Description:	Ref. Part No:	Part No:	Description:
---------------	----------	--------------	---------------	----------	--------------

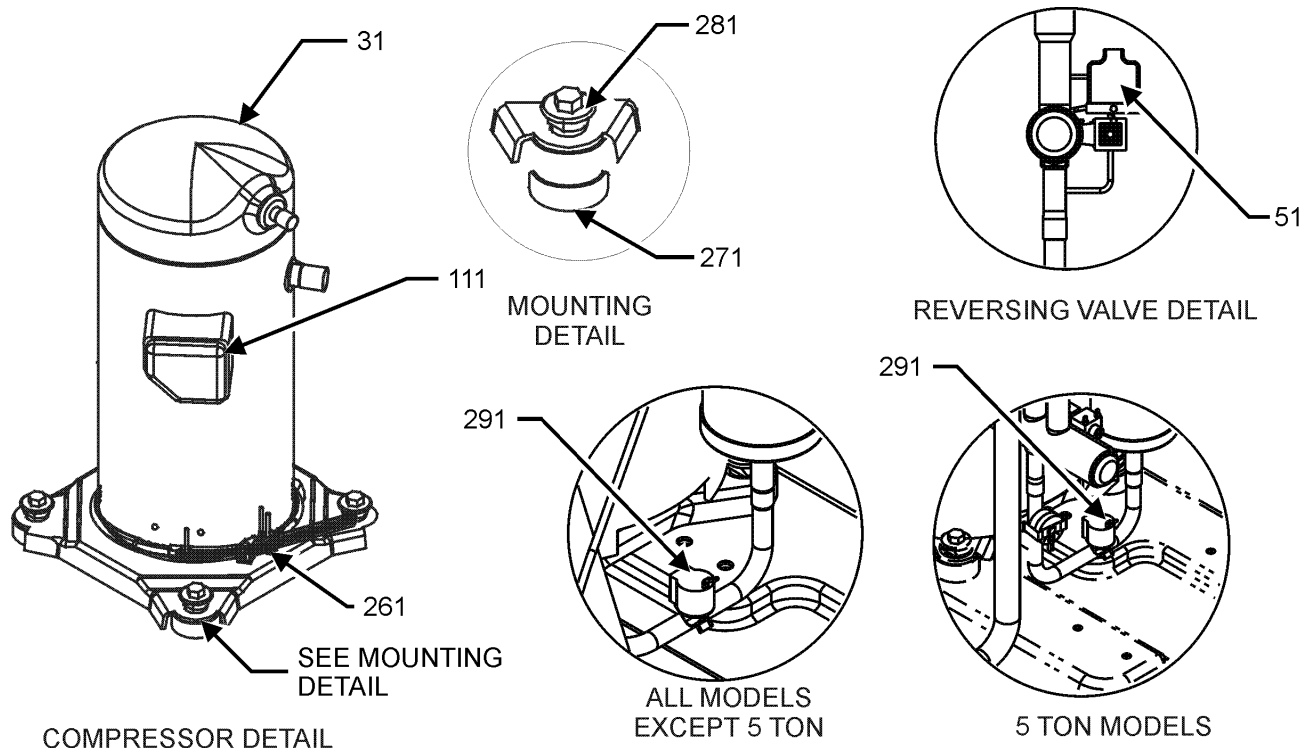
Image 1:

11	0121R00328PDG	PANEL, LOWER ACCESS PNT (M10, M11, M12)
11	0121R00625PDG	PANEL, LOWER ACCESS PNT (M1, M2, M3, M4, M5, M6, M7, M8, M9)
21	0121R00053PDG	CONTROL COVER
71	CONT1P025024V	CONTACTOR 25 AMP, 1P, 24V
81	CAP050300440CS	CAP.5/30MFD/440V/DUAL RD (M1, M2, M3)
81	CAP050350440CS	CAPACITOR 5/35/440V (M4, M5, M6, M7, M8, M9)
81	CAP050450440CT	CAPACITOR 5/45/440V/DUAL RD (M10, M11, M12)
91	4400065	CAPACITOR STRAP
131	PCBDM133	DEFROST CONTROL BOARD
NS	0161R00092	NAMEPLATE, GOODMAN

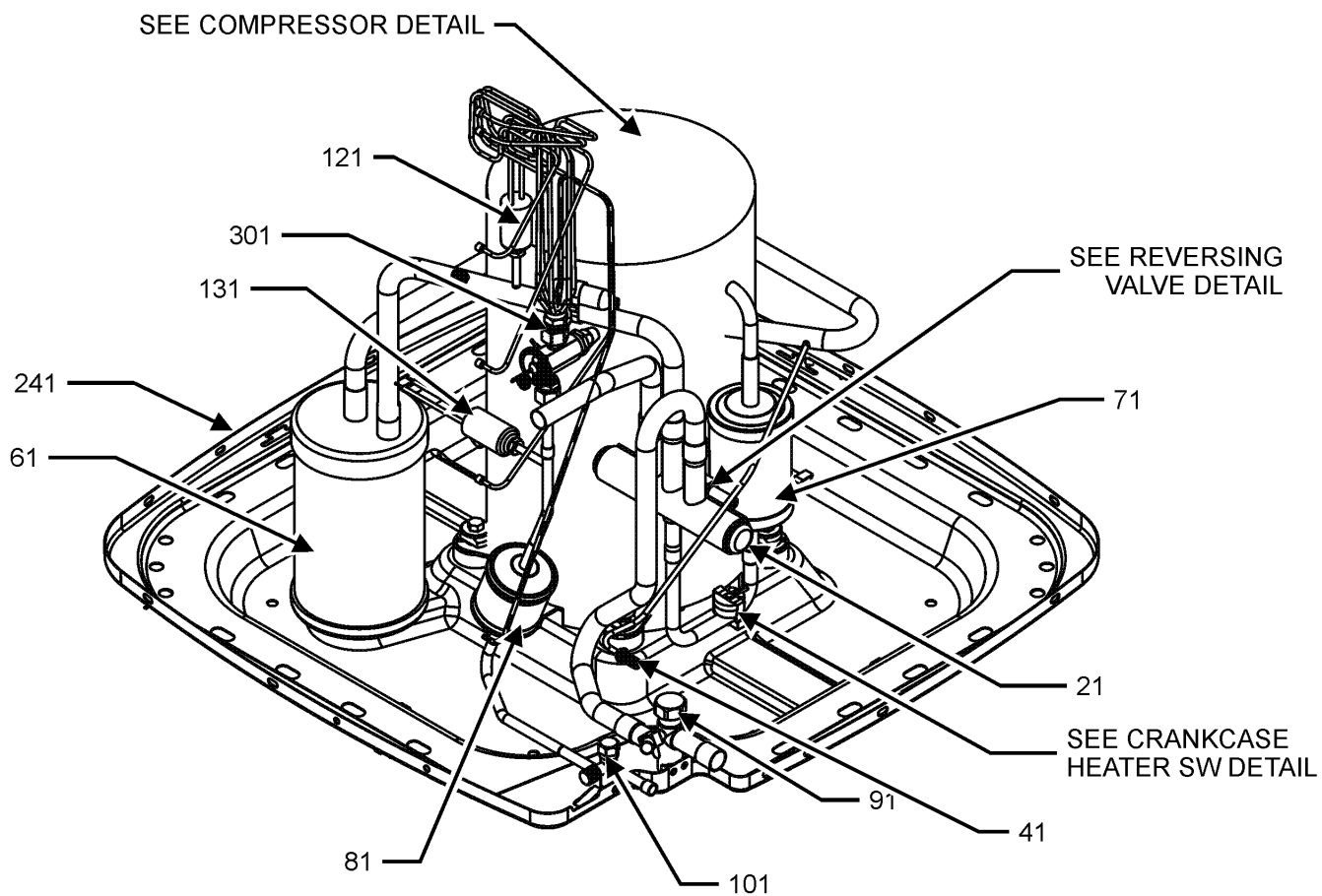
Expanded Model Nomenclature

- M1 - GSZ140191AA
- M2 - GSZ140191AB
- M3 - GSZ140191AC
- M4 - GSZ140251AA
- M5 - GSZ140251AB
- M6 - GSZ140251AC
- M7 - GSZ140311AA
- M8 - GSZ140311AB
- M9 - GSZ140311AC
- M10 - GSZ140371AA
- M11 - GSZ140371AB
- M12 - GSZ140371AC

Compressor and Tubing Assembly



CRANKCASE HEATER SW DETAIL



Compressor and Tubing Assembly

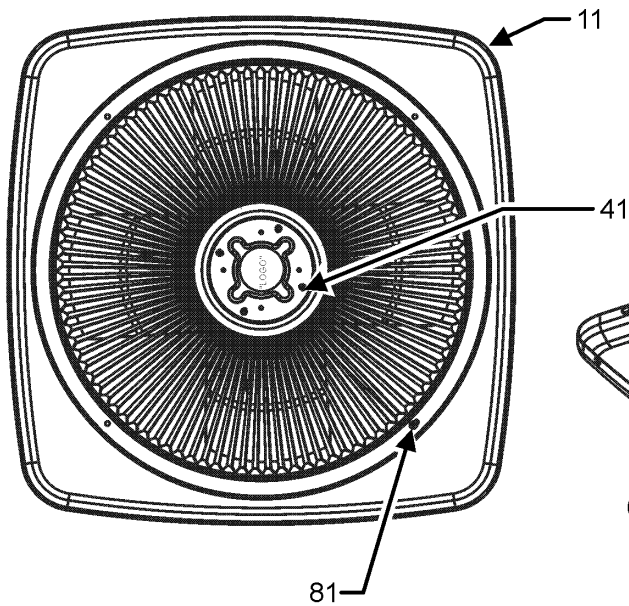
Ref. Part No:	Ref. Part No:	Description:	Description:
Image 1:			
21	0151R00068	REVERSING VALVE (M7, M8, M9)	
21	0151R00069	REVERSING VALVE (M1, M2, M3, M4, M5, M6)	
21	0151R00071	REVERSING VALVE (M10, M11, M12)	
31	ZP14K6EPFV120	COMP, 20200, 208/230/60/1 (M1, M2, M3)	
31	ZP20K6EPFV120	COMP, 27200, 208/230/60/1 (M4, M5, M6)	
31	ZP25K6EPFV120	COMP, 34200, 208/230/60/1 (M7, M8, M9)	
31	ZP29K6EPFV120	COMP, 39700, 208/230/60/1 (M10, M11, M12)	
41	0163M00175	CAP WITH O-RING	
51	0130M00410	REVERSING VALVE HARNESS	
61	0151R00004P	ACCUMULATOR .750 (M1, M2, M3, M4, M5, M6)	
61	B1226207	ACCUMULATOR .875 (M7, M8, M9, M10, M11, M12)	
71	0162R00007	MUFFLER 1/2 X 1/2	
81	20485201	BI-FLOW FILTER DRIER	
91	0151R00079	BASE VALVE 3/4" (M1, M2, M3, M4, M5, M6, M7, M8, M9)	
91	0151R00080	BASE VALVE 7/8" (M10, M11, M12)	
101	0151R00167	BASE VALVE 3/8"	
111	0159R00001P	COMPRESSOR SCROLL HARNESS (M1, M2, M3, M4, M5, M6)	
111	0159R00002P	COMPRESSOR SCROLL HARNESS (M7, M8, M9, M10, M11, M12)	
121	0130M00088	LOW PRESSURE SWITCH	
131	0130M00089	HIGH PRESSURE SWITCH	
241	0121R00006PDG	BASE PAN 29" (M1, M2, M3, M4, M5, M6)	
241	0121R00007PDG	BASE PAN 35" (M7, M8, M9, M10, M11, M12)	
261	0163R000006	HEATER, CRANKCASE 230V, 40W	
271	B1339533	COMPRESSOR GROMMET (QTY 4)	
281	M0221641	TF SHOULDER SCREW (QTY 4)	
291	0130M00106	DISC THERMOSTAT(CRNKCS HTR SW)	
301	0151R00190	ADJUSTABLE VALVE, TXV R410A (M7, M8, M9)	
301	0151R00192	ADJUSTABLE VALVE, TXV R410A (M1, M2, M3, M4, M5, M6)	
301	0151R00193	ADJUSTABLE VALVE, TXV R410A (M10, M11, M12)	
NS	B1225022	SOLENOID COIL	
NS	B1787000	VALVE CORE	

Expanded Model Nomenclature

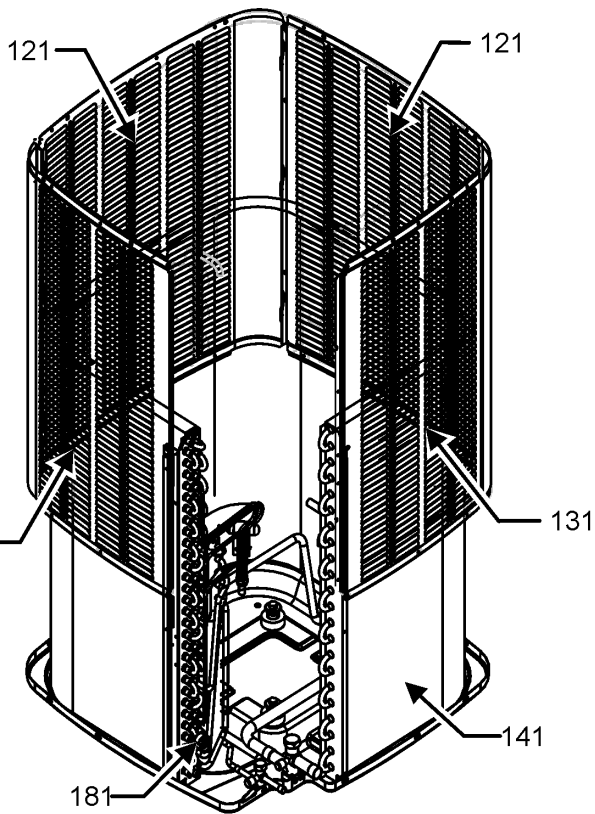
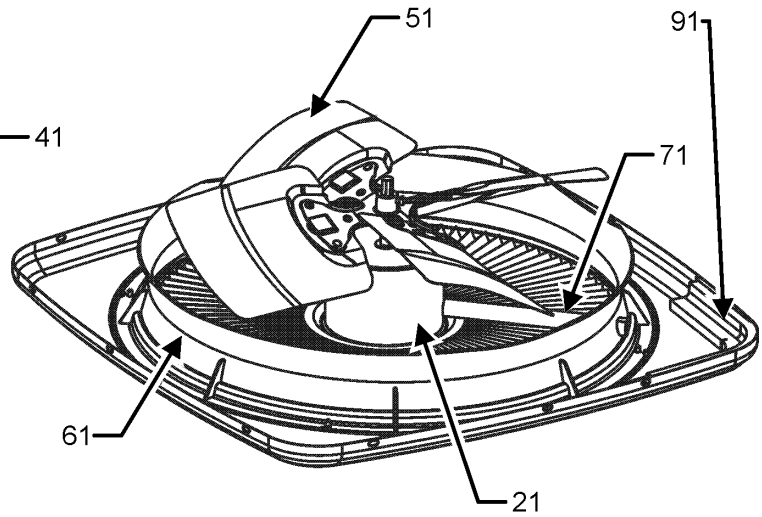
M1 - GSZ140191AA
M2 - GSZ140191AB
M3 - GSZ140191AC
M4 - GSZ140251AA
M5 - GSZ140251AB
M6 - GSZ140251AC
M7 - GSZ140311AA
M8 - GSZ140311AB
M9 - GSZ140311AC
M10 - GSZ140371AA
M11 - GSZ140371AB
M12 - GSZ140371AC

Top Panel and Louver Panel Assembly

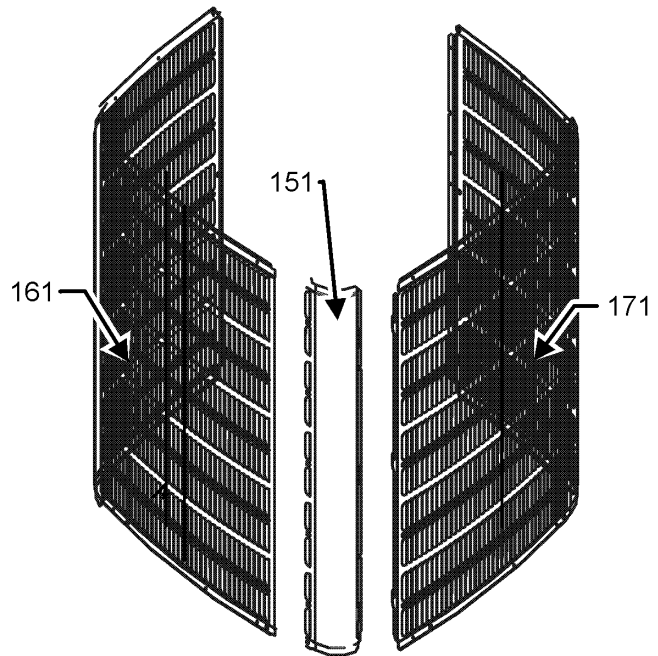
TOP PANEL ASSEMBLY
TOP VIEW



TOP PANEL ASSEMBLY
BOTTOM VIEW



LOUVER PANEL ASSEMBLY
STYLE 1



LOUVER PANEL ASSEMBLY
STYLE 2

Top Panel and Louver Panel Assembly

Ref. Part No: No:	Description:	Ref. Part No: No:	Description:
Image 1:		Expanded Model Nomenclature	
11	0121R00010PDG TOP PANEL 29" (M1, M2, M3, M4, M5, M6)	M1	GSZ140191AA
11	0121R00269PDG TOP PANEL, 35" (M7, M8, M9, M10, M11, M12)	M2	GSZ140191AB
21	0131M00061 MOTOR, 1/4HP, 1SP, 8PL (M10)	M3	GSZ140191AC
21	0131M00807 MOTOR, 1/4HP, 1SP, 8PL, AL (M11, M12)	M4	GSZ140251AA
21	0131M00753 MOTOR, 1/6HP, 1SP, 8PL, AL (M1, M2, M3, M4, M5, M6)	M5	GSZ140251AB
21	0131M00945 MOTOR, 1/6HP, 8PL (M9)	M6	GSZ140251AC
21	0131M00754 MOTOR, PSC, 1/6HP, 8PL (M7, M8)	M7	GSZ140311AA
41	0163M00006P ACORN NUT 5/16 HEX BLACK (QTY 4)	M8	GSZ140311AB
51	0150M00008 FAN BLADE 22" TNT2203-25 (M1, M2, M3, M4, M5, M6)	M9	GSZ140311AC
51	10625738 FAN BLADE 26" ALUM CCW (M10)	M10	GSZ140371AA
51	0150M00054 FAN BLADE, 26" (M7, M8, M9, M11, M12)	M11	GSZ140371AB
61	0161R00048 MOLDED RING-VENTURI 22 (M1, M2, M3, M4, M5, M6)	M12	GSZ140371AC
61	0161R00049 MOLDED RING-VENTURI 26" (M7, M8, M9, M10, M11, M12)		
71	0161R00002P CONDUIT (M1, M2, M3, M4, M5, M6)		
71	0161R00004P CONDUIT (M7, M8, M9, M10, M11, M12)		
81	0163M00004 SCREW #10 X3/4", BLK (QTY 4)		
111	0121R00592PDGB PANEL 1, BENT LOUVER 35_34.64 (M7, M8, M9)		
111	0121R00593PDGB PANEL 1, BENT LOUVER 35_39.84 (M10, M11, M12)		
121	0121R00594PDGB PANEL 2, BENT LOUVER 35_34.64 (M7, M8, M9)		
121	0121R00595PDGB PANEL 2, BENT LOUVER 35_39.84 (M10, M11, M12)		
131	0121R00596PDG PANEL 3, LOUVER 35_34.64 PNT (M7, M8, M9)		
131	0121R00597PDG PANEL 3, LOUVER 35_39.84 PNT (M10, M11, M12)		
141	0201R00631 COIL TUBING ASSY (M10, M11, M12)		
141	0201R00664 COIL TUBING ASSY (M7, M8, M9)		
141	0201R00682 COIL TUBING ASSY (M1, M2, M3, M4, M5, M6)		
151	0121R00583PDG LOUVER POST, PDG 33.14 (M1, M2, M3, M4, M5, M6)		
161	0121R00586PDGLS LOUVER PANEL, 29" CHASSIS, PNT (M1, M2, M3, M4, M5, M6)		
171	0121R00586PDGRS LOUVER PANEL, 29" CHASSIS, PNT (M1, M2, M3, M4, M5, M6)		
181	0130M00250 CONTROL, DEFROST		
NS	B1789851 FLOW CHECK PISTON KIT .051 (M1, M2, M3)		
NS	B1789857 FLOW CHECK PISTON KIT .057 (M4, M5, M6)		
NS	B1789865 FLOW CHECK PISTON KIT .065 (M7, M8, M9)		
NS	B1789871 FLOW CHECK PISTON KIT .071 (M10, M11, M12)		
NS	0154R00006 GASKET, CONTROL PANEL		
NS	0163M00005P WASHER, BLACK (.50 OD .218ID) (QTY 4)		