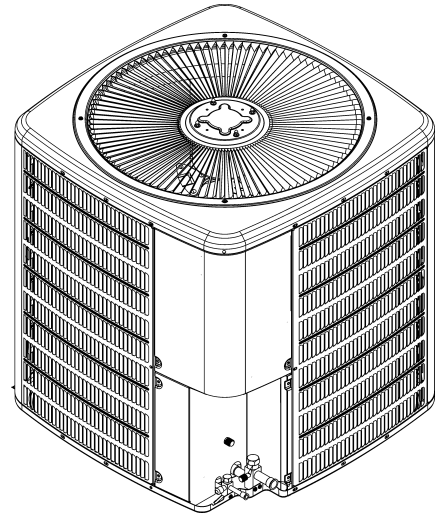


**GSZ14 Remote Heat Pump**

GSZ140181KE  
GSZ140181KF  
GSZ140241KG  
GSZ140241KH  
GSZ140301KF  
GSZ140301KG  
GSZ140361KD  
GSZ140361KE  
GSZ140421KD  
GSZ140421KE  
GSZ140421KF  
GSZ140481KE  
GSZ140481KF  
GSZ140491KD  
GSZ140491KE  
GSZ140491KF  
GSZ140601KE



This manual is to be used by qualified technicians only.

This manual replaces RP-G4317A.

© 2017 - 2019 Goodman Manufacturing Company, L.P. ♦ 19001 Kermier Rd. ♦ Waller, TX 77484

# Important Information

---

## Index

Functional Parts List .....	3
Illustration and Parts .....	4 - 9

*Views shown are for parts illustrations only, not servicing procedures*

### Text Codes:

AR - As Required

NA - Not Available

NS - Not Shown

00000000 - See Note

QTY - Quantity Example (QTY 3) (If Quantity not shown, Quantity = 1)

M - Model Example (M1) (If M Code not shown, then part is used on all Models)

### Expanded Model Nomenclature:

Example M1 - Model#1 M2 - Model#2 M3 - Model#3
---

Goodman Manufacturing Company, L.P. is not responsible for personal injury or property damage resulting from improper service. Review all service information before beginning repairs.

Warranty service must be performed by an authorized technician, using authorized factory parts. If service is required after the warranty expires, Goodman Manufacturing Company, L.P. also recommends contacting an authorized technician and using authorized factory parts.

Goodman Manufacturing Company, L.P. reserves the right to discontinue, or change at any time, specifications or designs without notice or without incurring obligations.

For assistance within the U.S.A. contact:

Homeowner Support

Goodman Manufacturing Company, L.P.

19001 Kermier Road

Waller, Texas 77484

877-254-4729-Telephone

713-863-2382-Facsimile

For assistance outside the U.S.A. contact:

International Division

Goodman Manufacturing Company, L.P.

19001 Kermier Road

Waller, Texas 77484

713-861-2500-Telephone

713-863-2382-Facsimile

# Functional Parts

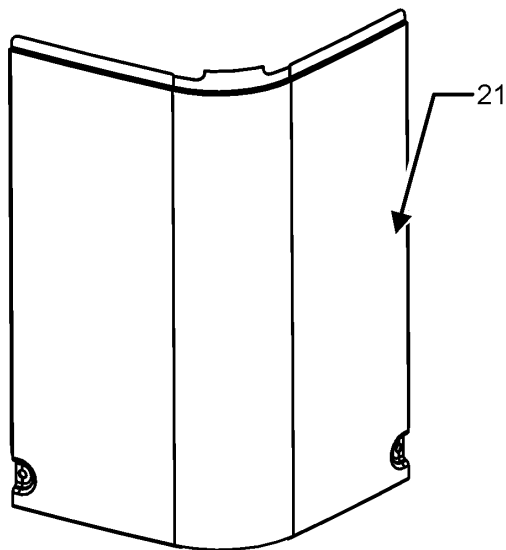
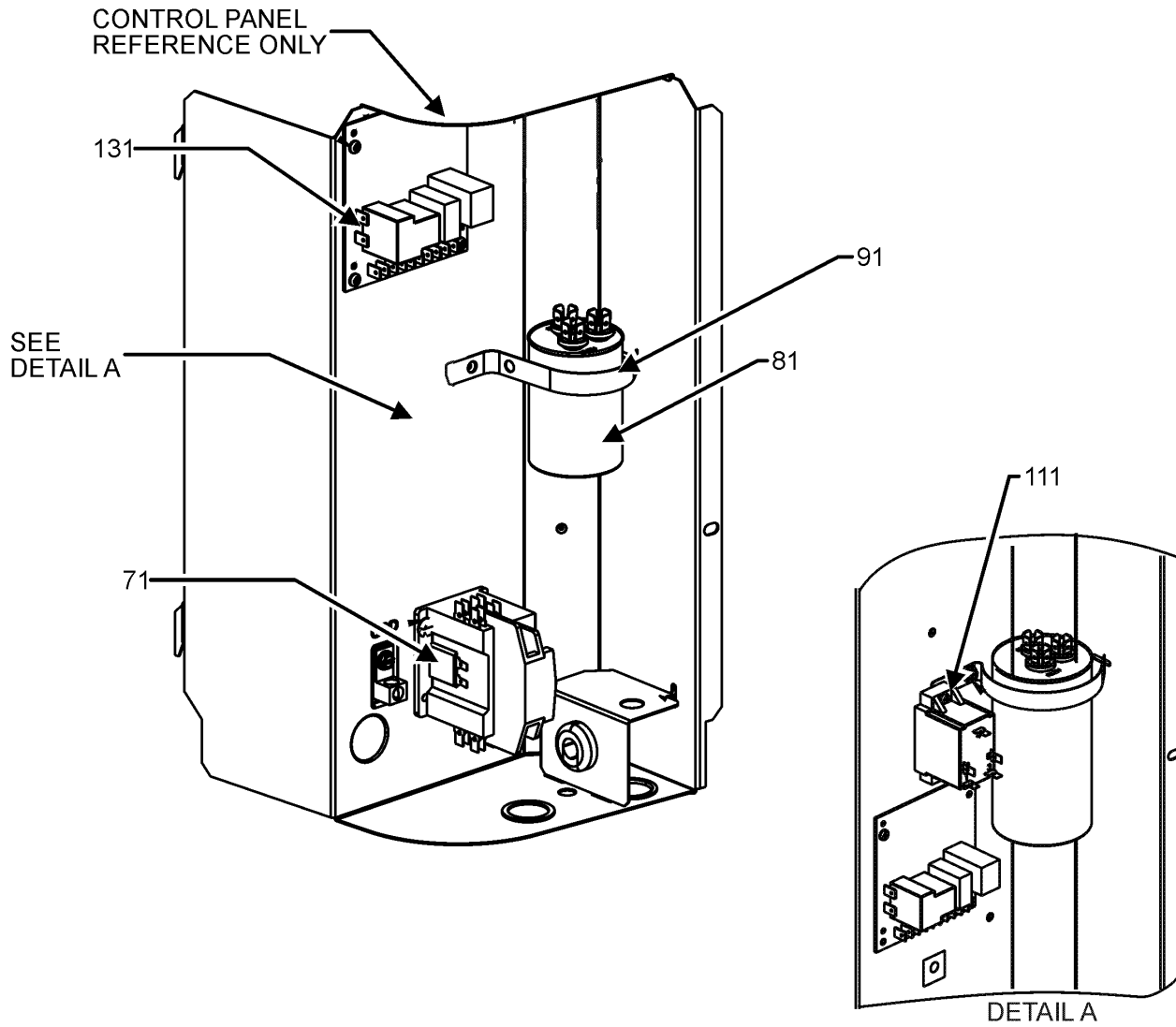
**Part No:**            **Description:**

Part No:	Description:	Expanded Model Nomenclature
0151R00167	BASE VALVE 3/8"	M1 - GSZ140181KE
CAP050300440CS	CAP,5/30MFD/440V/DUAL RD (M1, M2)	M2 - GSZ140181KF
CAP050350440CS	CAPACITOR 5/35/440V (M3, M4, M5, M6)	M3 - GSZ140241KG
CAP050450440CT	CAPACITOR 5/45/440V/DUAL RD (M7, M8, M9, M10, M11, M12, M13, M14, M15, M16)	M4 - GSZ140241KH
CAP050700440CT	CAPACITOR 5/70/440V/DUAL RD (M17)	M5 - GSZ140301KF
ZP14K6EPFV120	COMP, 20200, 208/230/60/1 (M1, M2)	M6 - GSZ140301KG
ZP20K6EPFV120	COMP, 27200, 208/230/60/1 (M3, M4)	M7 - GSZ140361KD
ZP25K6EPFV120	COMP, 34200, 208/230/60/1 (M5, M6)	M8 - GSZ140361KE
ZP31K6EPFV120	COMP, 42500, 208/230/60/1 (M7, M8)	M9 - GSZ140421KD
ZP34K6EPFV120	COMP, 46500, 208/230/60/1 (M9, M10, M11)	M10 - GSZ140421KE
ZP40K6EPFV120	COMP, 53700, 208/230/60/1 (M12, M13)	M11 - GSZ140421KF
ZP39K5EPFV130	COMP,39000,208/230/60/1 (M14, M15, M16)	M12 - GSZ140481KE
ZP51K5EPFV130	COMP,51000,208/230/60/1 (M17)	M13 - GSZ140481KF
CONT1P025024V	CONTACTOR 25 AMP, 1P, 24V (M1, M2, M3, M4, M5, M6, M7, M8, M9, M10, M11)	M14 - GSZ140491KD
CONT1P030024V	CONTACTOR 30 AMP, 1P, 24V (M12, M13, M14, M15, M16, M17)	M15 - GSZ140491KE
0130M00250	CONTROL, DEFROST	M16 - GSZ140491KF
PCBDM133	DEFROST CONTROL BOARD	M17 - GSZ140601KE
0130M00106	DISC THERMOSTAT(CRNKCS HTR SW)	
0150M00008	FAN BLADE 22" TNT2203-25 (M1, M2, M3, M4, M5, M6, M7, M8)	
B1086765	FAN BLADE TYPE 3 (M12, M13)	
0150M00054	FAN BLADE, 26" (M9, M10, M11, M14, M15, M16, M17)	
0163R00006	HEATER, CRANKCASE 230V, 40W (M1, M2, M3, M4, M5, M6, M7, M8)	
0163R00007	HEATER, CRANKCASE 230V, 40W (M9, M10, M11, M12, M13, M14, M15, M16, M17)	
0130M00089	HIGH PRESSURE SWITCH	
0130M00088	LOW PRESSURE SWITCH	
0131M00807	MOTOR, 1/4HP,1SP,8PL,AL (M12, M13, M17)	
0131M00753	MOTOR, 1/6HP, 1SP, 8PL, AL (M1, M2, M3, M4, M5, M6, M7, M8)	
0131M00945	MOTOR, 1/6HP, 8PL (M11, M16)	
0131M00754	MOTOR, PSC, 1/6HP, 8PL (M9, M10, M14, M15)	
0151R00071	REVERSING VALVE (M9, M10, M11, M12, M13, M14, M15, M16, M17)	
0151R00069	REVERSING VALVE (M5, M6, M7, M8)	
0151R00068	REVERSING VALVE (M1, M2, M3, M4)	
B1225022	SOLENOID COIL	

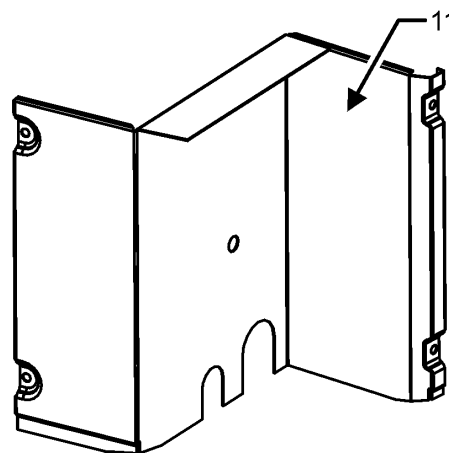
## SPECIAL PARTS

0161R00092            NAMEPLATE, GOODMAN

# Control Box Assembly



UPPER ACCESS PANEL



LOWER ACCESS PANEL

# Control Box Assembly

Ref. Part No:	Part No:	Description:	Ref. Part No:	Part No:	Description:
---------------	----------	--------------	---------------	----------	--------------

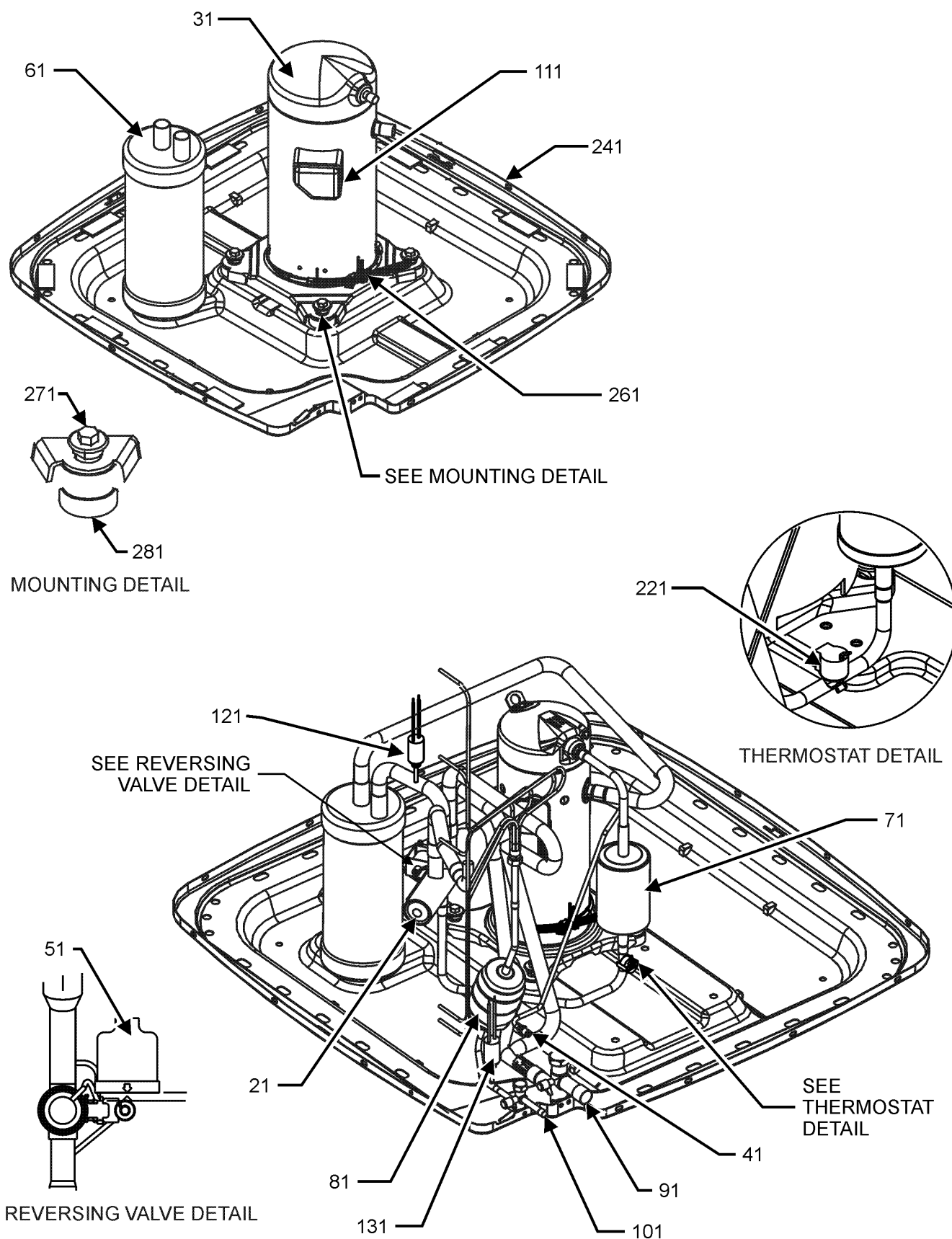
**Image 1:**

11	0121R00154PDG	PANEL, LOWER ACCESS PNT (M5, M6, M7, M8, M12, M13)
11	0121R00328PDG	PANEL, LOWER ACCESS PNT (M9, M10, M11)
11	0121R00625PDG	PANEL, LOWER ACCESS PNT (M1, M2, M3, M4, M14, M15, M16, M17)
21	0121R00053PDG	CONTROL COVER
71	CONT1P025024V	CONTACTOR 25 AMP, 1P, 24V (M1, M2, M3, M4, M5, M6, M7, M8, M9, M10, M11)
71	CONT1P030024V	CONTACTOR 30 AMP, 1P, 24V (M12, M13, M14, M15, M16, M17)
81	CAP050300440CS	CAP,5/30MFD/440V/DUAL RD (M1, M2)
81	CAP050350440CS	CAPACITOR 5/35/440V (M3, M4, M5, M6)
81	CAP050450440CT	CAPACITOR 5/45/440V/DUAL RD (M7, M8, M9, M10, M11, M12, M13, M14, M15, M16)
81	CAP050700440CT	CAPACITOR 5/70/440V/DUAL RD (M17)
91	4400065	CAPACITOR STRAP
131	PCBDM133	DEFROST CONTROL BOARD
NS	0161R00092	NAMEPLATE, GOODMAN

**Expanded Model Nomenclature**

M1 - GSZ140181KE
M2 - GSZ140181KF
M3 - GSZ140241KG
M4 - GSZ140241KH
M5 - GSZ140301KF
M6 - GSZ140301KG
M7 - GSZ140361KD
M8 - GSZ140361KE
M9 - GSZ140421KD
M10 - GSZ140421KE
M11 - GSZ140421KF
M12 - GSZ140481KE
M13 - GSZ140481KF
M14 - GSZ140491KD
M15 - GSZ140491KE
M16 - GSZ140491KF
M17 - GSZ140601KE

# Compressor and Tubing Assembly

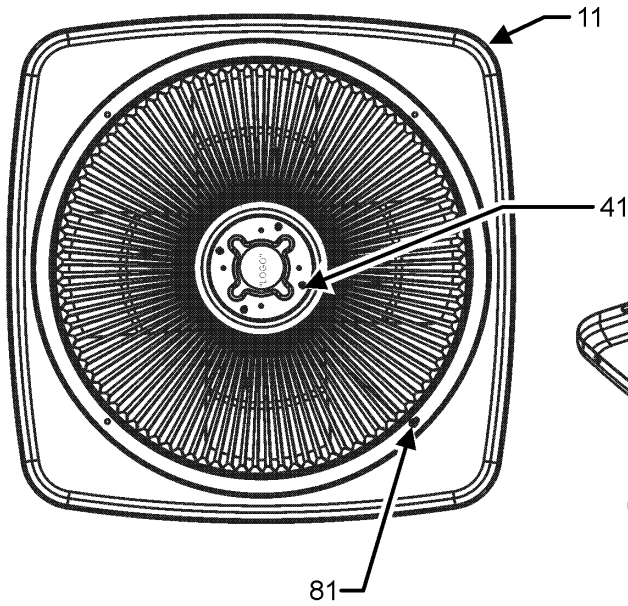


# Compressor and Tubing Assembly

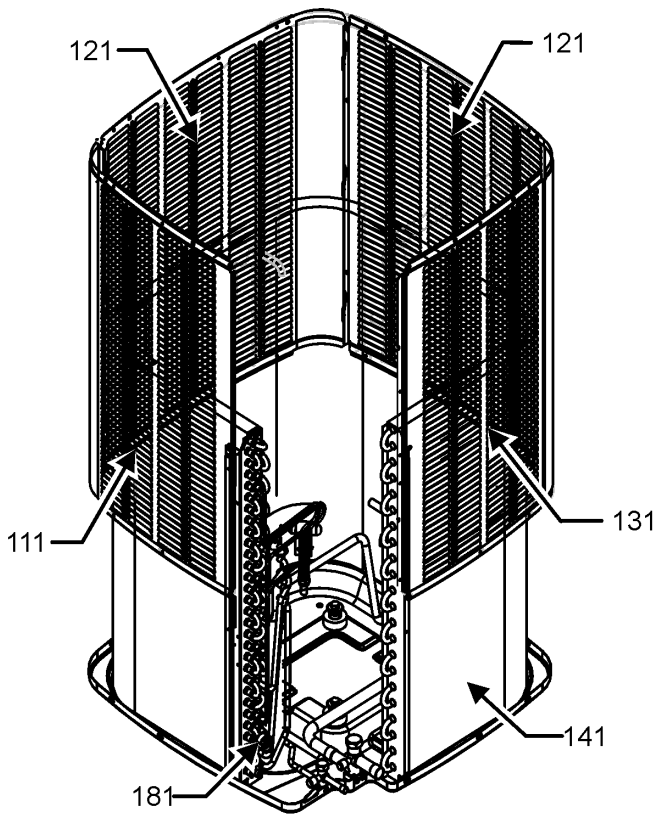
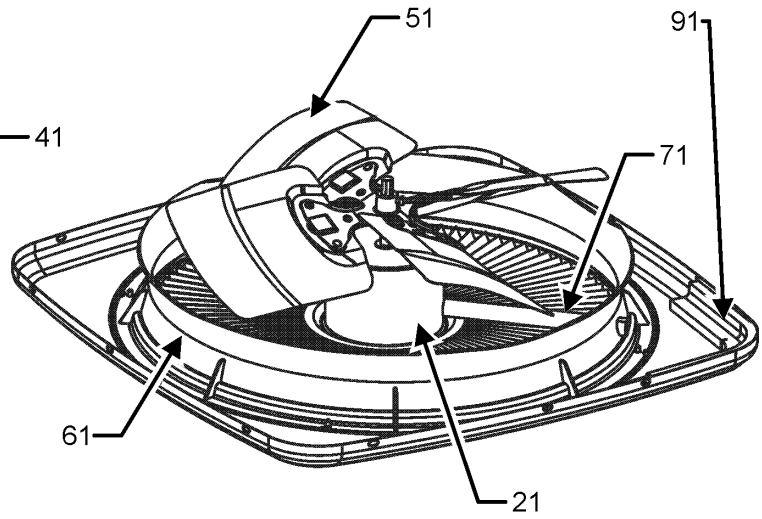
Ref. Part No:	No:	Description:	Ref. Part No:	No:	Description:
<i>Image 1:</i>			<b>Expanded Model Nomenclature</b>		
21	0151R00068	REVERSING VALVE (M1, M2, M3, M4)	M1	-	GSZ140181KE
21	0151R00069	REVERSING VALVE (M5, M6, M7, M8)	M2	-	GSZ140181KF
21	0151R00071	REVERSING VALVE (M9, M10, M11, M12, M13, M14, M15, M16, M17)	M3	-	GSZ140241KG
31	ZP14K6EPFV120	COMP, 20200, 208/230/60/1 (M1, M2)	M4	-	GSZ140241KH
31	ZP20K6EPFV120	COMP, 27200, 208/230/60/1 (M3, M4)	M5	-	GSZ140301KF
31	ZP25K6EPFV120	COMP, 34200, 208/230/60/1 (M5, M6)	M6	-	GSZ140301KG
31	ZP31K6EPFV120	COMP, 42500, 208/230/60/1 (M7, M8)	M7	-	GSZ140361KD
31	ZP34K6EPFV120	COMP, 46500, 208/230/60/1 (M9, M10, M11)	M8	-	GSZ140361KE
31	ZP40K6EPFV120	COMP, 53700, 208/230/60/1 (M12, M13)	M9	-	GSZ140421KD
31	ZP39K5EPFV130	COMP,39000,208/230/60/1 (M14, M15, M16)	M10	-	GSZ140421KE
31	ZP51K5EPFV130	COMP,51000,208/230/60/1 (M17)	M11	-	GSZ140421KF
41	B1787000	VALVE CORE	M12	-	GSZ140481KE
51	0130M00410	REVERSING VALVE HARNESS	M13	-	GSZ140481KF
61	0151L00008	ACCUMULATOR (M7, M8)	M14	-	GSZ140491KD
61	B1226207	ACCUMULATOR (M9, M10, M11, M12, M13, M14, M15, M16, M17)	M15	-	GSZ140491KE
61	0151R00004P	ACCUMULATOR .750 (M1, M2, M3, M4, M5, M6)	M16	-	GSZ140491KF
71	0162R00007	MUFFLER 1/2 X 1/2	M17	-	GSZ140601KE
81	20485201	BI-FLOW FILTER DRIER			
91	0151R00079	BASE VALVE 3/4" (M1, M2, M3, M4, M5, M6, M7, M8, M9, M10, M11, M12, M13, M14, M15, M16, M17)			
91	0151R00080	BASE VALVE 7/8" (M9, M10, M11, M12, M13, M14, M15, M16, M17)			
101	0151R00167	BASE VALVE 3/8"			
111	0159R00001P	HARNESS, COMP SCROLL 130 42" (M1, M2, M3, M4, M5, M6, M7, M8, M12, M13)			
111	0159R00002P	HARNESS, COMP SCROLL 130 46" (M9, M10, M11, M14, M15, M16)			
111	0159R00017	HARNESS, COMP-SCROLL (M17)			
121	0130M00088	LOW PRESSURE SWITCH			
131	0130M00089	HIGH PRESSURE SWITCH			
221	0130M00106	DISC THERMOSTAT(CRNKCS HTR SW)			
241	0121R00006PDG	BASE PAN 29" (M1, M2, M3, M4, M5, M6, M7, M8, M12, M13)			
241	0121R00007PDG	BASE PAN 35" (M9, M10, M11, M14, M15, M16, M17)			
261	0163R00006	HEATER, CRANKCASE 230V, 40W (M1, M2, M3, M4, M5, M6, M7, M8)			
261	0163R00007	HEATER, CRANKCASE 230V, 40W (M9, M10, M11, M12, M13, M14, M15, M16, M17)			
271	B1339533	COMPRESSOR GROMMET (QTY 4)			
281	M0221641	TF SHOULDER SCREW (QTY 4)			
NS	0163M00175	CAP WITH O-RING			
NS	B1225022	SOLENOID COIL			

# Top and Louver Side Panel Assembly

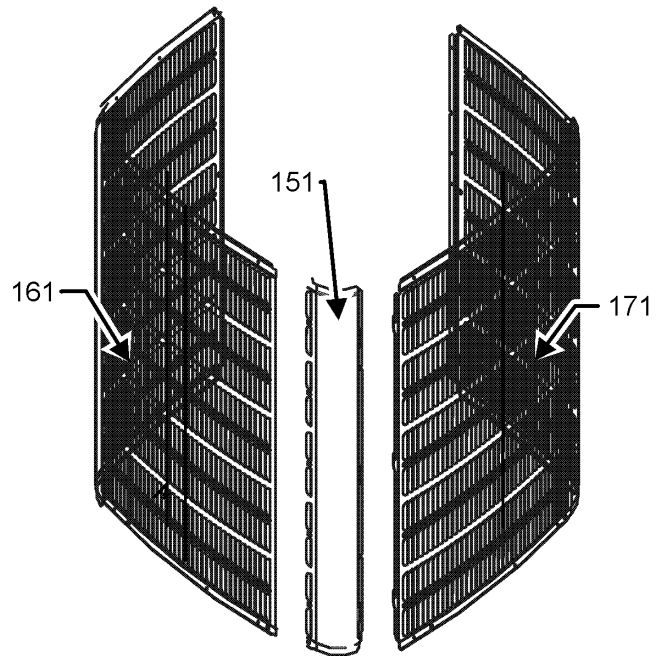
TOP PANEL ASSEMBLY  
TOP VIEW



TOP PANEL ASSEMBLY  
BOTTOM VIEW



LOUVER PANEL ASSEMBLY  
STYLE 1



LOUVER PANEL ASSEMBLY  
STYLE 2



# Top and Louver Side Panel Assembly

Ref. Part No:	Ref. Part No:	Description:	Description:	
<b>Image 1:</b>		<b>Image 1:</b>		
11	0121R00010PDG	TOP PANEL 29" (M1, M2, M3, M4, M5, M6, M7, M8, M12, M13)	NS B1789851 FLOW CHECK PISTON KIT .051 (M1, M2)	
11	0121R00269PDG	TOP PANEL, 35" (M9, M10, M11, M14, M15, M16, M17)	NS B1789857 FLOW CHECK PISTON KIT .057 (M3, M4)	
21	0131M00807	MOTOR, 1/4HP, 1SP, 8PL, AL (M12, M13, M17)	NS B1789865 FLOW CHECK PISTON KIT .065 (M5, M6)	
21	0131M00753	MOTOR, 1/6HP, 1SP, 8PL, AL (M1, M2, M3, M4, M5, M6, M7, M8)	NS B1789878 FLOW CHECK PISTON KIT .078 (M9, M10, M11)	
21	0131M00945	MOTOR, 1/6HP, 8PL (M11, M16)	NS B1789880 FLOW CHECK PISTON KIT .080 (M12, M13, M14, M15, M16)	
21	0131M00754	MOTOR, PSC, 1/6HP, 8PL (M9, M10, M14, M15)	NS B1789888 FLOW CHECK PISTON KIT .088 (M17)	
41	0163M00006P	ACORN NUT 5/16 HEX BLACK (QTY 4)	<b>Expanded Model Nomenclature</b>	
51	0150M00008	FAN BLADE 22" TNT2203-25 (M1, M2, M3, M4, M5, M6, M7, M8)	M1 - GSZ140181KE	
51	B1086765	FAN BLADE TYPE 3 (M12, M13)	M2 - GSZ140181KF	
51	0150M00054	FAN BLADE, 26" (M9, M10, M11, M14, M15, M16, M17)	M3 - GSZ140241KG	
61	0161R00048	MOLDED RING-VENTURI 22 (M1, M2, M3, M4, M5, M6, M7, M8, M12, M13)	M4 - GSZ140241KH	
61	0161R00049	MOLDED RING-VENTURI 26" (M9, M10, M11, M14, M15, M16, M17)	M5 - GSZ140301KF	
71	0161R00002P	CONDUIT (M1, M2, M3, M4, M5, M6, M7, M8, M12, M13)	M6 - GSZ140301KG	
71	0161R00004P	CONDUIT (M9, M10, M11, M14, M15, M16, M17)	M7 - GSZ140361KD	
81	0163M00004	SCREW #10 X3/4", BLK (QTY 4)	M8 - GSZ140361KE	
91	0154R00006	GASKET, CONTROL PANEL	M9 - GSZ140421KD	
111	0121R00592PDG	PANEL 1, BENT LOUVER 35_34.64 (M14, M15, M16, M17)	M10 - GSZ140421KE	
111	0121R00593PDG	PANEL 1, BENT LOUVER 35_39.84 (M9, M10, M11)	M11 - GSZ140421KF	
121	0121R00594PDG	PANEL 2, BENT LOUVER 35_34.64 (M14, M15, M16, M17)	M12 - GSZ140481KE	
121	0121R00595PDG	PANEL 2, BENT LOUVER 35_39.84 (M9, M10, M11)	M13 - GSZ140481KF	
131	0121R00596PDG	PANEL 3, LOUVER 35_34.64 PNT (M14, M15, M16, M17)	M14 - GSZ140491KD	
131	0121R00597PDG	PANEL 3, LOUVER 35_39.84 PNT (M9, M10, M11)	M15 - GSZ140491KE	
141	0201R00515	COIL TUBING ASSY (M9, M10, M11)	M16 - GSZ140491KF	
141	0201R00567	COIL TUBING ASSY (M14, M15, M16, M17)	M17 - GSZ140601KE	
141	0201R00581	COIL TUBING ASSY (M12, M13)		
141	0201R00668	COIL TUBING ASSY (M1, M2)		
141	0201R00669	COIL TUBING ASSY (M3, M4)		
141	0201R00670	COIL TUBING ASSY (M5, M6)		
141	0201R00671	COIL TUBING ASSY (M7, M8)		
151	0121R00583PDG	LOUVER POST, PDG 33.14 (M1, M2, M3, M4)		
151	0121R00355PDG	LOUVER POST, PDG 34.88 (M5, M6, M7, M8, M12, M13)		
161	0121R00586PDGLS	LOUVER PANEL, 29" CHASSIS, PNT (M1, M2, M3, M4)		
161	0121R00587PDGLS	LOUVER PANEL, 29" CHASSIS, PNT (M5, M6, M7, M8, M12, M13)		
171	0121R00586PDGRS	LOUVER PANEL, 29" CHASSIS, PNT (M1, M2, M3, M4)		
171	0121R00587PDGRS	LOUVER PANEL, 29" CHASSIS, PNT (M5, M6, M7, M8, M12, M13)		
181	0130M00250	CONTROL, DEFROST		
NS	B1789872	FLOW CHECK PISTON KIT (M7, M8)		