



## Submittal Data Sheet

Fresh Air Intake Kit (Chamber Type with T-Shape)  
KDDP55B160K

### DESCRIPTION

The fresh air intake kit is a field-installed accessory for introducing up to 20% ventilation air when installed between the indoor unit body and decoration panel.



### SPECIFICATIONS

Model No.:	KDDP55B160K
Components Included:	Chamber, left and right connecting chamber, sealing material, mounting screws, sensor assembly, clamps, T-joint, flexible duct and installation manual
Unit Compatibility:	FXFQ07TVJU, FXFQ09TVJU, FXFQ12TVJU, FXFQ15TVJU, FXFQ18TVJU, FXFQ24TVJU, FXFQ30TVJU, FXFQ36TVJU, FXFQ48TVJU
Unit Weight:	14 lbs (6.5 kg)
Dimensions (W x H x D):	Chamber: 33-19/32" x 36-19/32" x ~10" (854mm x 929mm x ~254mm)
Material / Finish:	Galvanized metal frame with insulation and duct piping / No finish
Power Supply:	N/A
Duct Connection Diameter:	Ø6" (150mm)

#### Notes:

- 1) It is not possible to use KDDP55B160K when the optional self-cleaning deco panel (BYCQ125BGW1) is used with the FXFQ\_TVJU series round flow cassette.



## Submittal Data Sheet

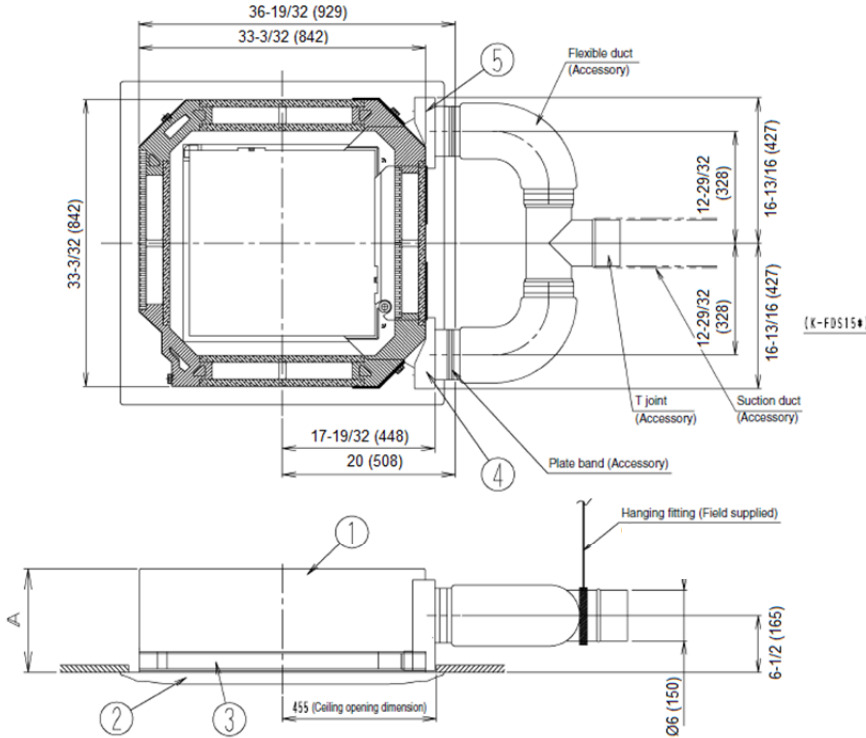
Fresh Air Intake Kit (Chamber Type with T-Shape)

KDDP55B160K

## DIMENSIONAL DRAWINGS

Dimensions

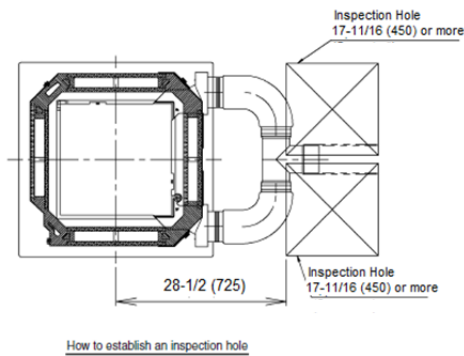
Unit: in (mm)



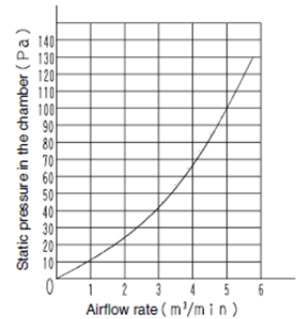
Number	Name	Description
1	Indoor unit main body	
2	Decoration panel	
3	Suction chamber	
4	Connecting port chamber (right)	
5	Connecting port chamber (left)	

### Accessories

- Screws (M5×12) : 4 pieces
- Sealing materials for air outlets at the corner
- Tape for fixing sealing materials for air outlets at the corner
- Installation manual



### Resistance in the passage inside the chamber



Daikin North America LLC, 5151 San Felipe, Suite 500, Houston TX, 77056

[www.daikinac.com](http://www.daikinac.com) [www.daikincomfort.com](http://www.daikincomfort.com)

(Daikin's products are subject to continuous improvements. Daikin reserves the right to modify product design, specifications and information in this data sheet without notice and without incurring any obligations).