



# Submittal Data Sheet

KRP067A41E/KRP980B1/KRP980B2E  
Adaptor for Wired Controller

Project Name:	Approval:
Location:	Date:
Engineer:	Construction:
Submitted to:	Unit #:
Submitted by:	Drawing #:
Reference:	

## MODEL COMPATIBILITY:

Part Number	Compatible Indoor Unit Models
KRP067A41E	FTX09NMVJU, FTX12NMVJU, FTK09NMVJU, FTK12NMVJU, FTXN09NMVJU, FTXN12NMVJU, FTKN09NMVJU, FTKN12NMVJU, FTX09NMVJUA, FTX12NMVJUA, FTX09WMVJU9, FTX12WMVJU9
KRP980B1	FTXN_KEVJU
KRP980B2E	FTX15NMVJU, FTX15NMVJUA, FTX15WMVJU9, FTX18NMVJU, FTX24NMVJU, FTK18NMVJU, FTK24NMVJU, FTXN18NMVJU, FTXN24NMVJU, FTKN18NMVJU, FTKN24NMVJU

## SPECIFICATIONS:

Model	KRP067A41E/KRP980B1/KRP980B2E
Description	Adaptor for Wired Controllers
Maximum Connections	1 indoor unit
Dimensions	4.25 x 1.88 x 1.30 inches
Mounting	Inside the indoor unit

## PRODUCT IMAGE:



## FEATURES:

- Provides a S21 interface for the compatible indoor unit model which does not have a build-in S21 connector.
- Connects the compatible indoor unit with one of the following controller/adaptor\*:
  - BRC944B2 - Wired Remote Controller
  - KRP928BB2S - RA Interface Adaptor for DIII-Net
  - KRP413AB1S - Wiring Adaptor for Timer Clock / Remote Controller
  - AZAI6WSCDKB - DKN Residential Cloud Wi-Fi Adaptor for Single- and Multi-Zone System (S21)
  - AZAI6WSPDKC – DKN Plus Interface

\* Additional cable (BRCW901A08/ DACA-BRCW901P10/ DACA-BRCW901P25) is needed if both BRC944B2 and KRP928BB2S are connected. (The Wired Remote Controller Kit BRC944B2-A08 includes both BRCW901A08 and the BRCW901A08.)

**DAIKIN COMFORT TECHNOLOGIES NORTH AMERICA, INC.**

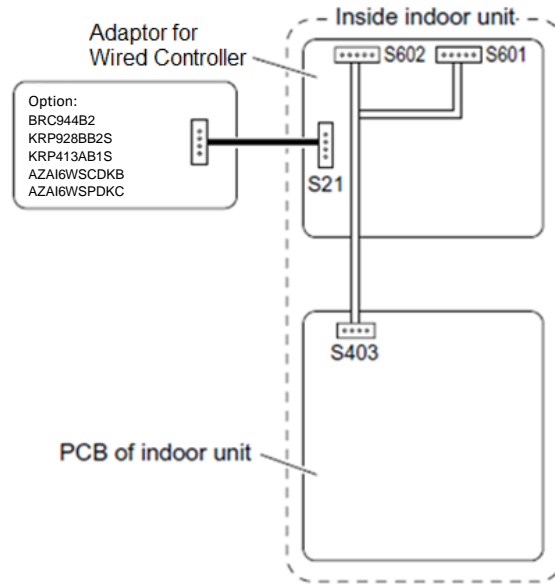
19001 Kermier Road | Waller, TX, 77484  
[www.daikinac.com](http://www.daikinac.com) [www.daikincity.com](http://www.daikincity.com)

Rev.0823

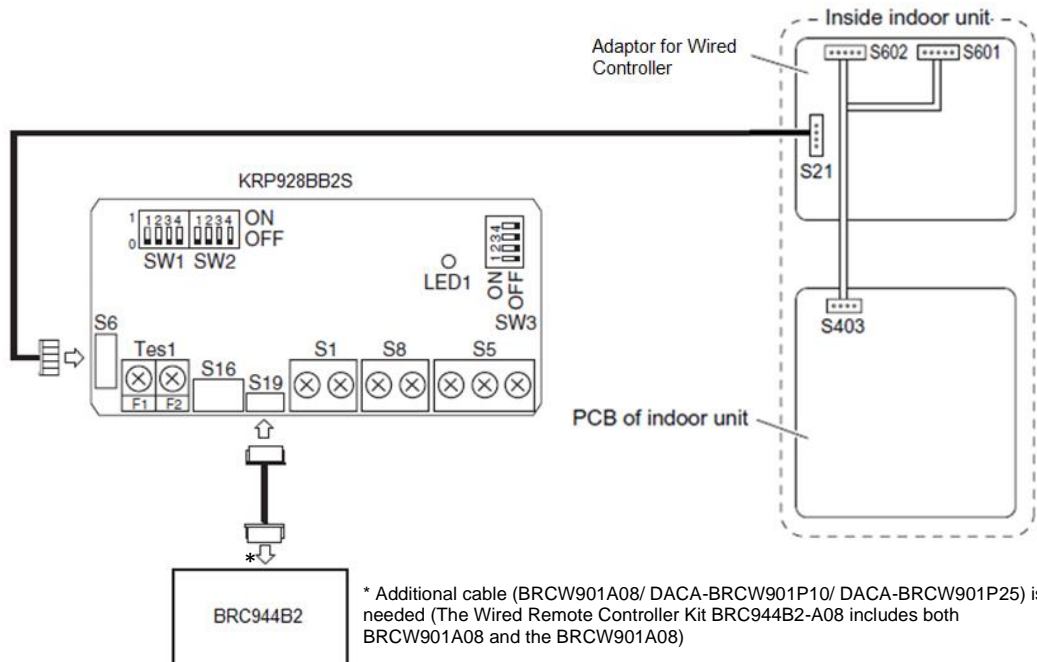
Project Name:	Approval:
Location:	Date:
Engineer:	Construction:
Submitted to:	Unit #:
Submitted by:	Drawing #:
Reference:	

**WIRING DIAGRAM:**

- Connects to one controller/adaptor:



- Connects to BRC944B2 and KRP928BB2S together:



**DAIKIN COMFORT TECHNOLOGIES NORTH AMERICA, INC.**

19001 Kermier Road | Waller, TX, 77484  
[www.daikinac.com](http://www.daikinac.com) [www.daikincity.com](http://www.daikincity.com)

Rev.0823



# Submittal Data Sheet

KRP067A41E/KRP980B1/KRP980B2E  
Adaptor for Wired Controller

Project Name:	_____	Approval:	_____
Location:	_____	Date:	_____
Engineer:	_____	Construction:	_____
Submitted to:	_____	Unit #:	_____
Submitted by:	_____	Drawing #:	_____
Reference:	_____		

## DOCUMENTATION:

Documentation available on [www.daikincity.com](http://www.daikincity.com) and/or [www.daikinac.com](http://www.daikinac.com):

- Submittal
- Installation Manual

**DAIKIN COMFORT TECHNOLOGIES NORTH AMERICA, INC.**

19001 Kermier Road | Waller, TX, 77484  
[www.daikinac.com](http://www.daikinac.com) [www.daikincity.com](http://www.daikincity.com)

Rev.0823