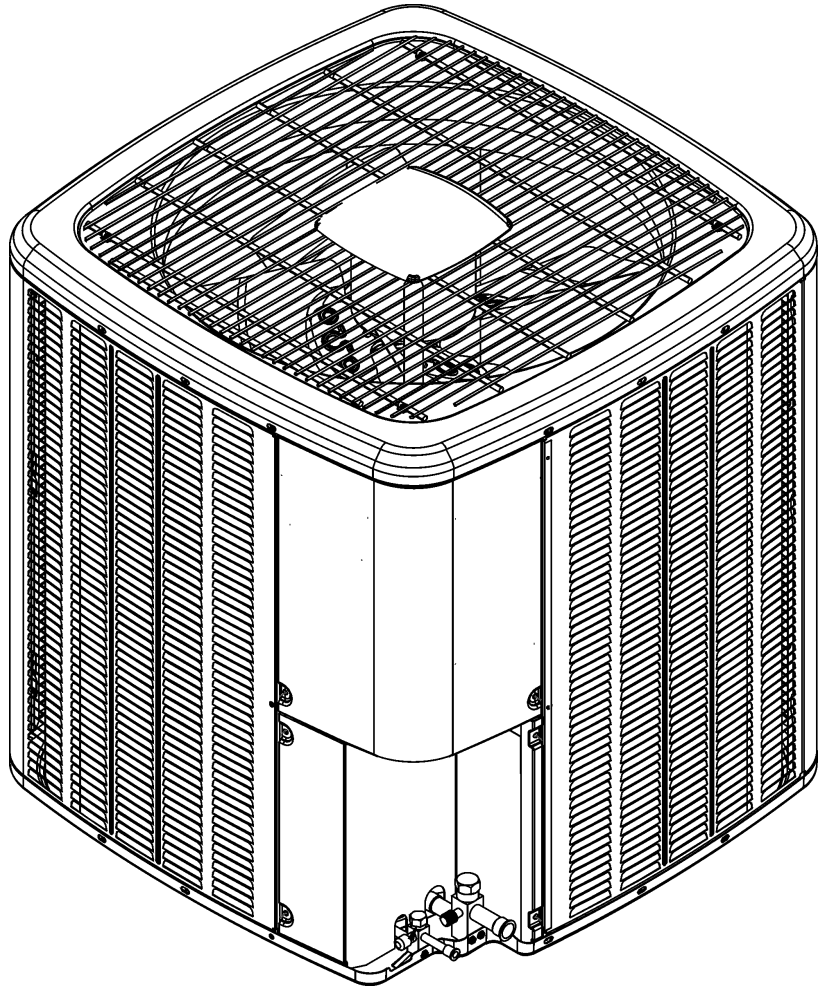


GSZC18 Remote Heat Pump

GSZC180241CA
GSZC180361CA
GSZC180481CA
GSZC180601CA



This manual is to be used by qualified technicians only.

© 2017 Goodman Manufacturing Company, L.P. ♦ 5151 San Felipe St., Suite 500 ♦ Houston, TX 77056

Important Information

Index

Functional Parts List	3
Illustration and Parts	4 - 9

Views shown are for parts illustrations only, not servicing procedures

Text Codes:

AR - As Required

NA - Not Available

NS - Not Shown

00000000 - See Note

QTY - Quantity Example (QTY 3) (If Quantity not shown, Quantity = 1)

M - Model Example (M1) (If M Code not shown, then part is used on all Models)

Expanded Model Nomenclature:

Example M1 - Model#1 M2 - Model#2 M3 - Model#3

Goodman Manufacturing Company, L.P. is not responsible for personal injury or property damage resulting from improper service. Review all service information before beginning repairs.

Warranty service must be performed by an authorized technician, using authorized factory parts. If service is required after the warranty expires, Goodman Manufacturing Company, L.P. also recommends contacting an authorized technician and using authorized factory parts.

Goodman Manufacturing Company, L.P. reserves the right to discontinue, or change at any time, specifications or designs without notice or without incurring obligations.

For assistance within the U.S.A. contact:
Homeowner Support
Goodman Manufacturing Company, L.P.
19001 Kermier Road
Waller, Texas 77484
877-254-4729-Telephone
713-863-2382-Facsimile

For assistance outside the U.S.A. contact:
International Division
Goodman Manufacturing Company, L.P.
19001 Kermier Road
Waller, Texas 77484
713-861-2500-Telephone
713-863-2382-Facsimile

Functional Parts

Part

No: Description:

0151R00167	BASE VALVE 3/8"
0151R00080	BASE VALVE 7/8"
CAP050350440CS	CAPACITOR 5/35/440V (M1, M3)
CAP050400440CT	CAPACITOR 5/40/440V/DUAL RD (M2)
CAP050450440CT	CAPACITOR 5/45/440V/DUAL RD (M4)
ZPS49K6EPFV130	COMP 49000,208/230/60/1 (M4)
ZPS19K6EPFV130	COMP, 19000,208/230/60/1 (M1)
ZPS29K6EPFV130	COMP, 29000,208/230/60/1 (M2)
ZPS40K6EPFV130	COMP, 40000,208/230/60/1 (M3)
0130R00003	CUT-OUT SWITCH, HIGH PRESSURE
0130R00002	CUT-OUT SWITCH, LOW PRESSURE
0130M00106	DISC THERMOSTAT(CRNMCS HTR SW)
11046710	DISC-THERMOSTAT
0163R00006	HEATER, CRANKCASE 230V, 40W (M1, M2)
0131M00827	MOTOR, ECM (M1, M2)
0131M00804	MOTOR, ECM (M3, M4)
0130M00054	OUTDOOR AIR TEMP SENSOR
0130M00438	OUTDOOR COIL TEMP SENSOR
PCBHR105	PCB, CONTROL BOARD
0151R00071	REVERSING VALVE
0130R00092	SHARED DATA (M2)
0130R00091	SHARED DATA (M1)
0130R00094	SHARED DATA (M4)
0130R00093	SHARED DATA (M3)
B1225022	SOLENOID COIL
0130M00138	TRANSFORMER 208/230, 24V
0151M00070	VALVE, TXV R-410A (M1)
0151M00069	VALVE, TXV R-410A (M2)
0151M00068	VALVE, TXV R-410A (M3, M4)
0130M00005P	WIRE HARNESS, COMPRESSOR SOLENOID

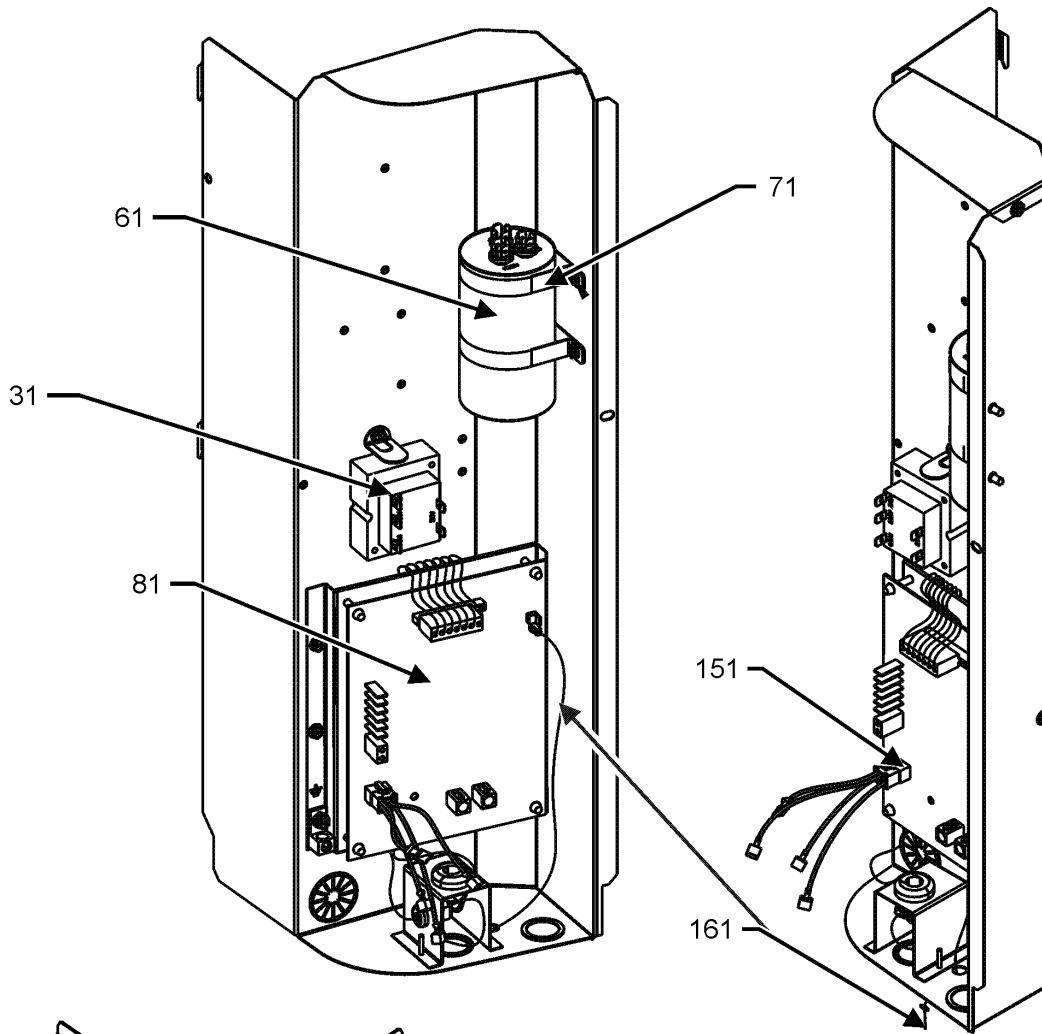
SPECIAL PARTS

0161R00088	CAP, BLANK GRILL
0161R00092	NAMEPLATE, GOODMAN

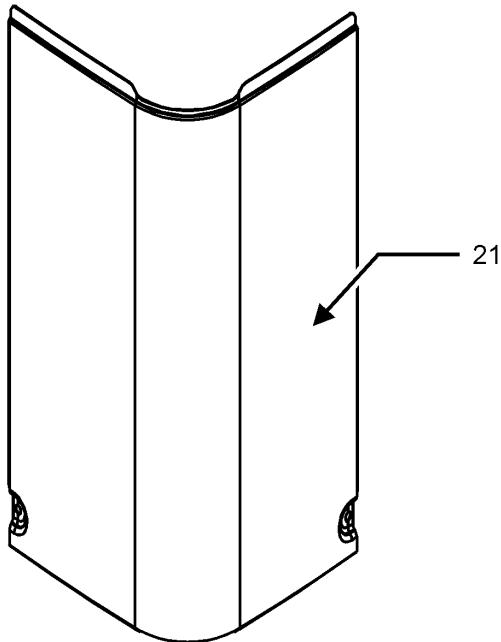
Expanded Model Nomenclature

M1 - GSZC180241CA
M2 - GSZC180361CA
M3 - GSZC180481CA
M4 - GSZC180601CA

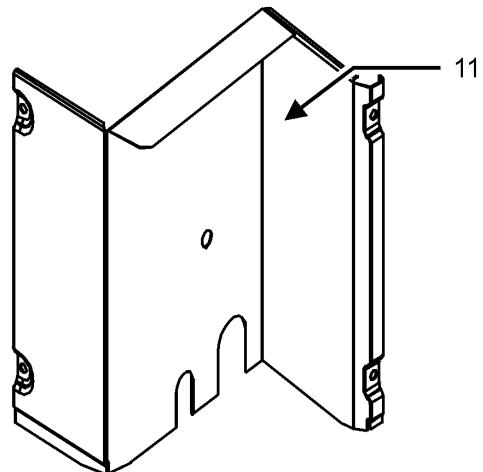
Control Box Assembly



CONTROL PANEL
SIDE VIEW



UPPER ACCESS PANEL



LOWER ACCESS PANEL

Control Box Assembly

Ref. Part No: No:	Description:	Ref. Part No: No:	Description:
-------------------	--------------	-------------------	--------------

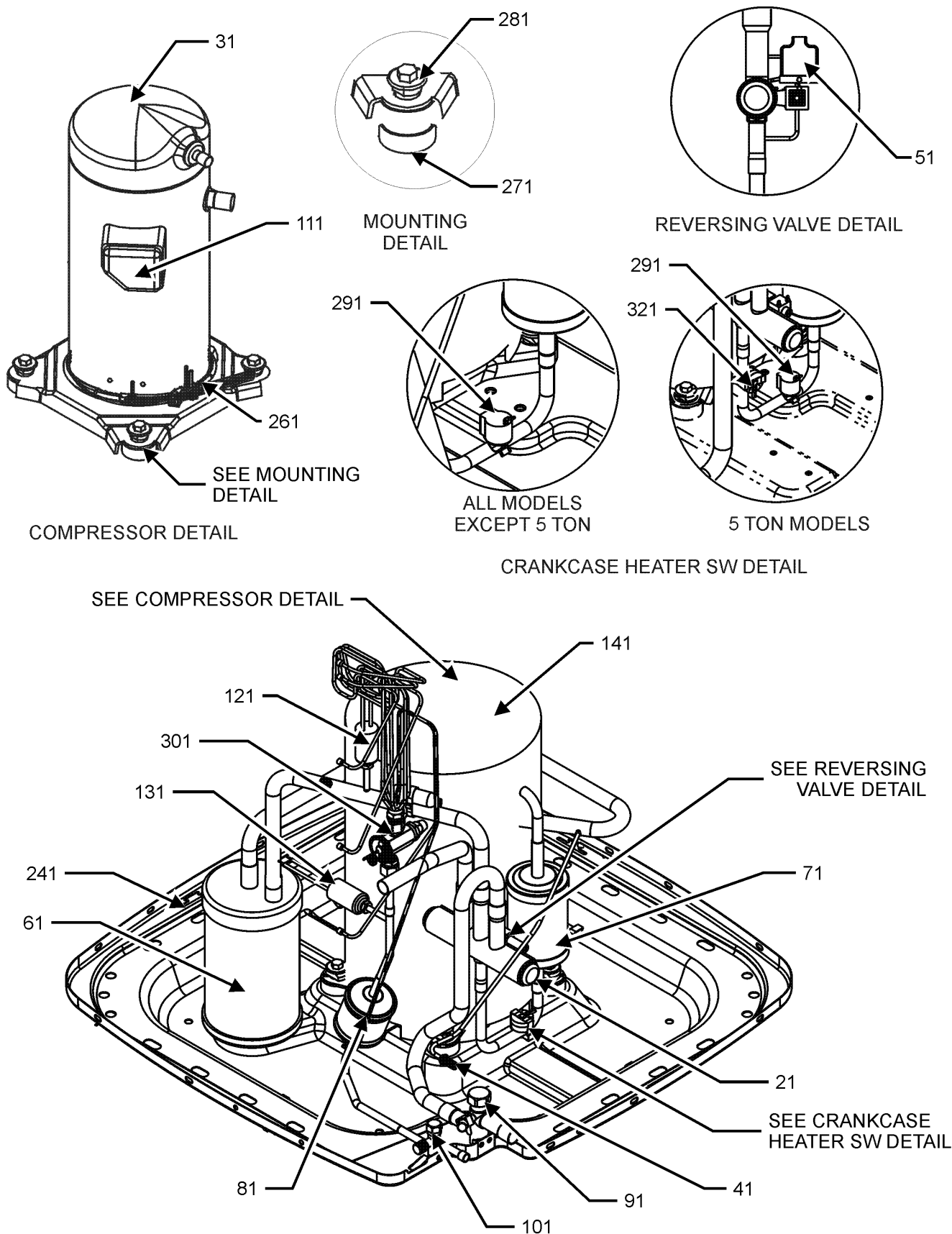
Image 1:

11	0121R00847PDG	LOWER ACCESS PANEL, PAINTED (M2)
11	0121R00662PDG	PANEL, LOWR ACCESS PNT (M1, M3, M4)
21	0121R00054PDG	CONTROL COVER
31	0130M00138	TRANSFORMER 208/230, 24V
61	CAP050350440CS	CAPACITOR 5/35/440V (M1, M3)
61	CAP050400440CT	CAPACITOR 5/40/440V/DUAL RD (M2)
61	CAP050450440CT	CAPACITOR 5/45/440V/DUAL RD (M4)
71	0121R00213	CAPACITOR STRAP (QTY 2)
81	PCBHR105	PCB, COTROL BOARD
151	0159R00011	WIRE ASSEMBLY, ECM MOTOR
161	0130M00054	OUTDOOR AIR TEMP SENSOR
NS	0161R00092	NAMEPLATE, GOODMAN
NS	0130R00091	SHARED DATA (M1)
NS	0130R00092	SHARED DATA (M2)
NS	0130R00093	SHARED DATA (M3)
NS	0130R00094	SHARED DATA (M4)
NS	0130M00005P	WIRE HARNESS, COMPRESSOR SOLENOID

Expanded Model Nomenclature

M1 - GSZC180241CA
M2 - GSZC180361CA
M3 - GSZC180481CA
M4 - GSZC180601CA

Compressor and Tubing Assembly



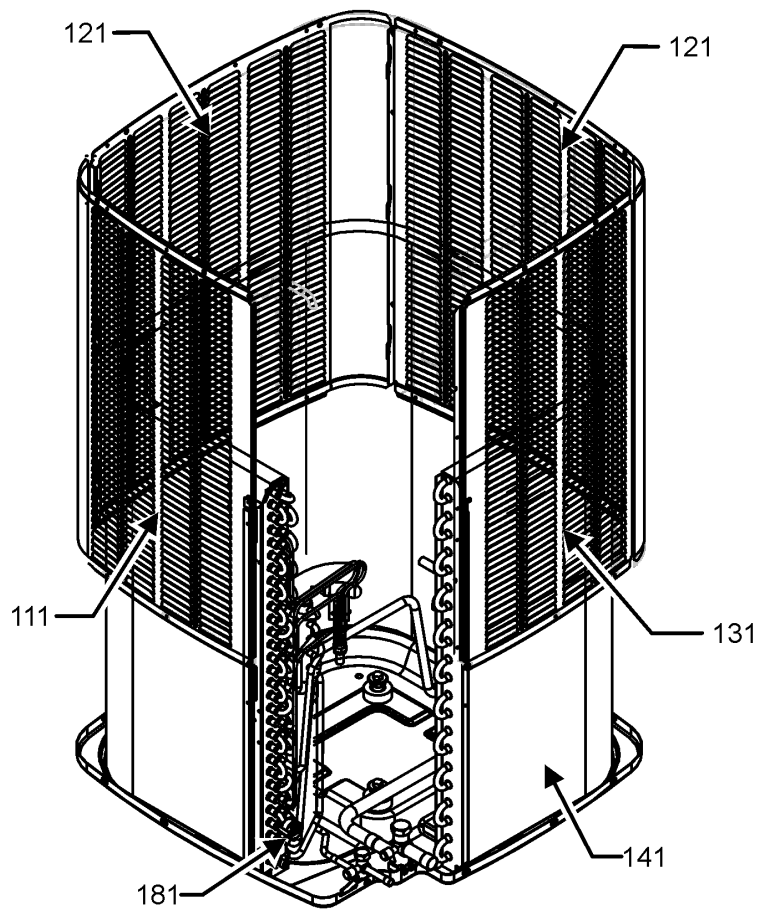
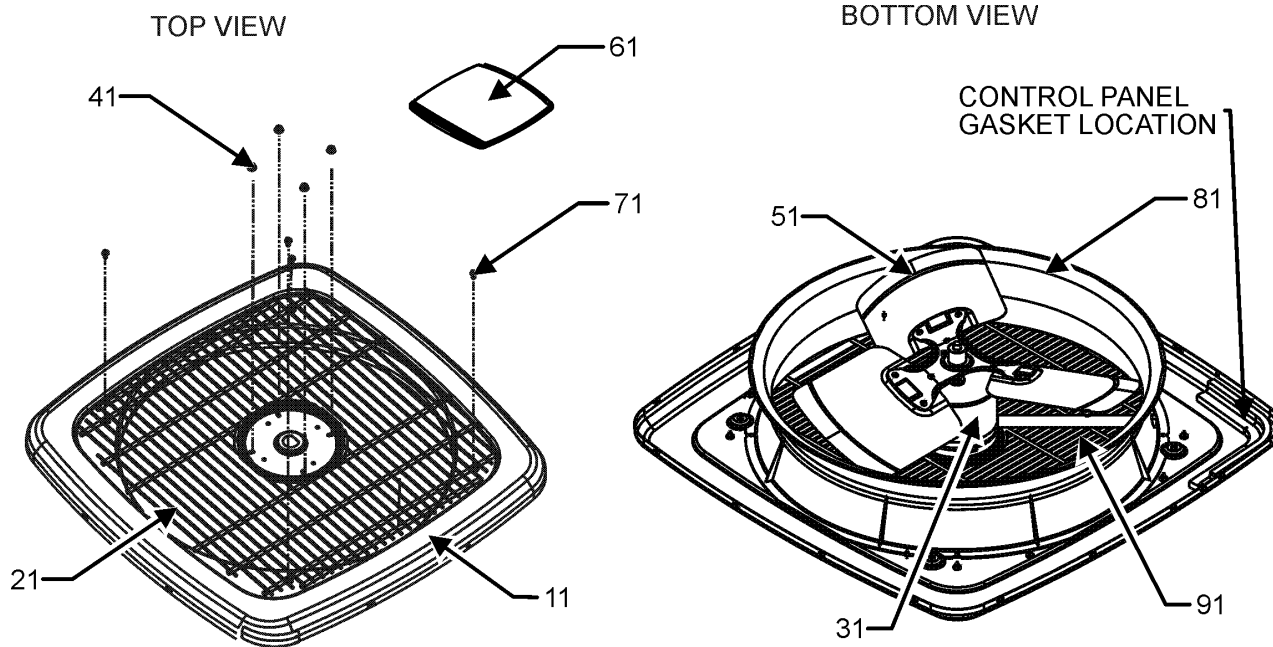
Compressor and Tubing Assembly

Ref. Part No: No:	Description:	Ref. Part No: No:	Description:
Image 1:			
21	0151R00071		REVERSING VALVE
31	ZPS49K6EPFV130		COMP 49000,208/230/60/1 (M4)
31	ZPS19K6EPFV130		COMP, 19000,208/230/60/1 (M1)
31	ZPS29K6EPFV130		COMP, 29000,208/230/60/1 (M2)
31	ZPS40K6EPFV130		COMP, 40000,208/230/60/1 (M3)
41	0163M00175		CAP WITH O-RING
51	0130M00084		SOLENOID HARNESS W/1/4" TERM
61	0151L00010		ACCUMULATOR (M3, M4)
61	B1226207		ACCUMULATOR .875 (M1, M2)
71	0162R00007		MUFFLER 1/2 X 1/2
81	20485201		BI-FLOW FILTER DRIER
91	0151R00080		BASE VALVE 7/8"
101	0151R00167		BASE VALVE 3/8"
111	0159R00009		COMPRESSOR SCROLL HARNESS
121	0130R00002		CUT-OUT SWITCH, LOW PRESSURE
131	0130R00003		CUT-OUT SWITCH, HIGH PRESSURE
141	B1488806		COMPRESSOR SOUND BLANKET (M3, M4)
141	B1488810		COMPRESSOR SOUND BLANKET (M1, M2)
241	0121R00007PDG		BASE PAN 35"
261	0163R00006		HEATER, CRANKCASE 230V, 40W (M1, M2)
271	0164M00018		COMPRESSOR GROMMET (QTY 4)
281	M0221641		TF SHOULDER SCREW (QTY 4)
291	0130M00106		DISC THERMOSTAT(CRNKCS HTR SW)
301	0151M00068		VALVE, TXV R-410A (M3, M4)
301	0151M00069		VALVE, TXV R-410A (M2)
301	0151M00070		VALVE, TXV R-410A (M1)
321	11046710		DISC-THERMOSTAT
NS	20270810		COMPENSATOR (M2, M3, M4)
NS	20270812		COMPENSATOR (M1)
NS	B1225022		SOLENOID COIL
NS	B1787000		VALVE CORE

Expanded Model Nomenclature

M1 - GSZC180241CA
M2 - GSZC180361CA
M3 - GSZC180481CA
M4 - GSZC180601CA

Cabinet Top and Louver Panel Assembly



LOUVER PANEL ASSEMBLY

Cabinet Top and Louver Panel Assembly

Ref. Part No: No:	Description:	Ref. Part No: No:	Description:
-------------------	--------------	-------------------	--------------

Image 1:

11	0121R00577PDG	TOP PANEL 35"
21	0152R00019	GRILL, WIRE 35" TOP
31	0131M00804	MOTOR, ECM (M3, M4)
31	0131M00827	MOTOR, ECM (M1, M2)
41	M0280801	HEX NUT (QTY 4)
51	0150M00054	FAN BLADE, 26"
61	0161R00088	CAP, BLANK GRILL
71	0163M00003P	SCREW #10 X 1/2, A, SLOT, SR, BLACK (QTY 6)
81	0161R00049	MOLDED RING-VENTURI 26"
91	0163M00385	CONDUIT-FLEXIBLE
111	0121R00592PDGB	PANEL 1, BENT LOUVER 35_34.64 (M2)
111	0121R00593PDGB	PANEL 1, BENT LOUVER 35_39.84 (M1, M3, M4)
121	0121R00594PDGB	PANEL 2, BENT LOUVER 35_34.64 (M2)
121	0121R00595PDGB	PANEL 2, BENT LOUVER 35_39.84 (M1, M3, M4)
131	0121R00857PDG	PANEL 3, LOUVER 35_34.64 PNT (M2)
131	0121R00597PDG	PANEL 3, LOUVER 35_39.84 PNT (M1, M3, M4)
141	0201R00709	COIL TUBING ASSY (M1)
141	0201R00710	COIL TUBING ASSY (M2)
141	0201R00711	COIL TUBING ASSY (M3, M4)
181	0130M00438	OUTDOOR COIL TEMP SENSOR

Expanded Model Nomenclature

M1 - GSZC180241CA
M2 - GSZC180361CA
M3 - GSZC180481CA
M4 - GSZC180601CA