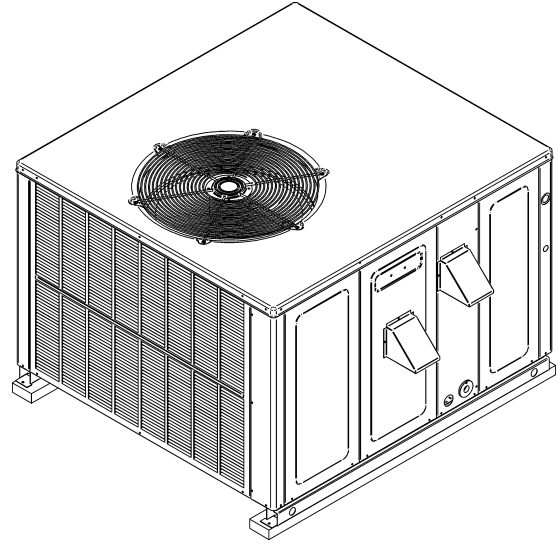

DP14GM "M" Series Residential Package Gas Unit

DP14GM2404041AC

DP14GM2406041AC



This manual is to be used by qualified technicians only.

Important Information

Index

Functional Parts List	3
Illustration and Parts	4 - 15

Views shown are for parts illustrations only, not servicing procedures

Text Codes:

AR - As Required

NA - Not Available

NS - Not Shown

00000000 - See Note

QTY - Quantity Example (QTY 3) (If Quantity not shown, Quantity = 1)

M - Model Example (M1) (If M Code not shown, then part is used on all Models)

Expanded Model Nomenclature:

Example
M1 - Model#1
M2 - Model#2
M3 - Model#3

Daikin Manufacturing Company, L.P. is not responsible for personal injury or property damage resulting from improper service. Review all service information before beginning repairs.

Warranty service must be performed by an authorized technician, using authorized factory parts. If service is required after the warranty expires, Daikin Manufacturing Company, L.P. also recommends contacting an authorized technician and using authorized factory parts.

Daikin Manufacturing Company, L.P. reserves the right to discontinue, or change at any time, specifications or designs without notice or without incurring obligations.

For assistance within the U.S.A. contact:

Homeowner Support
Daikin North America, LLC
19001 Kermier Road
Waller, Texas 77484
855-770-5678-Telephone
713-863-2382-Facsimile

For assistance outside the U.S.A. contact:

International Division
Daikin North America, LLC
19001 Kermier Road
Waller, Texas 77484
713-861-2500-Telephone
713-863-2382-Facsimile

Functional Parts

Part

No:

Description:

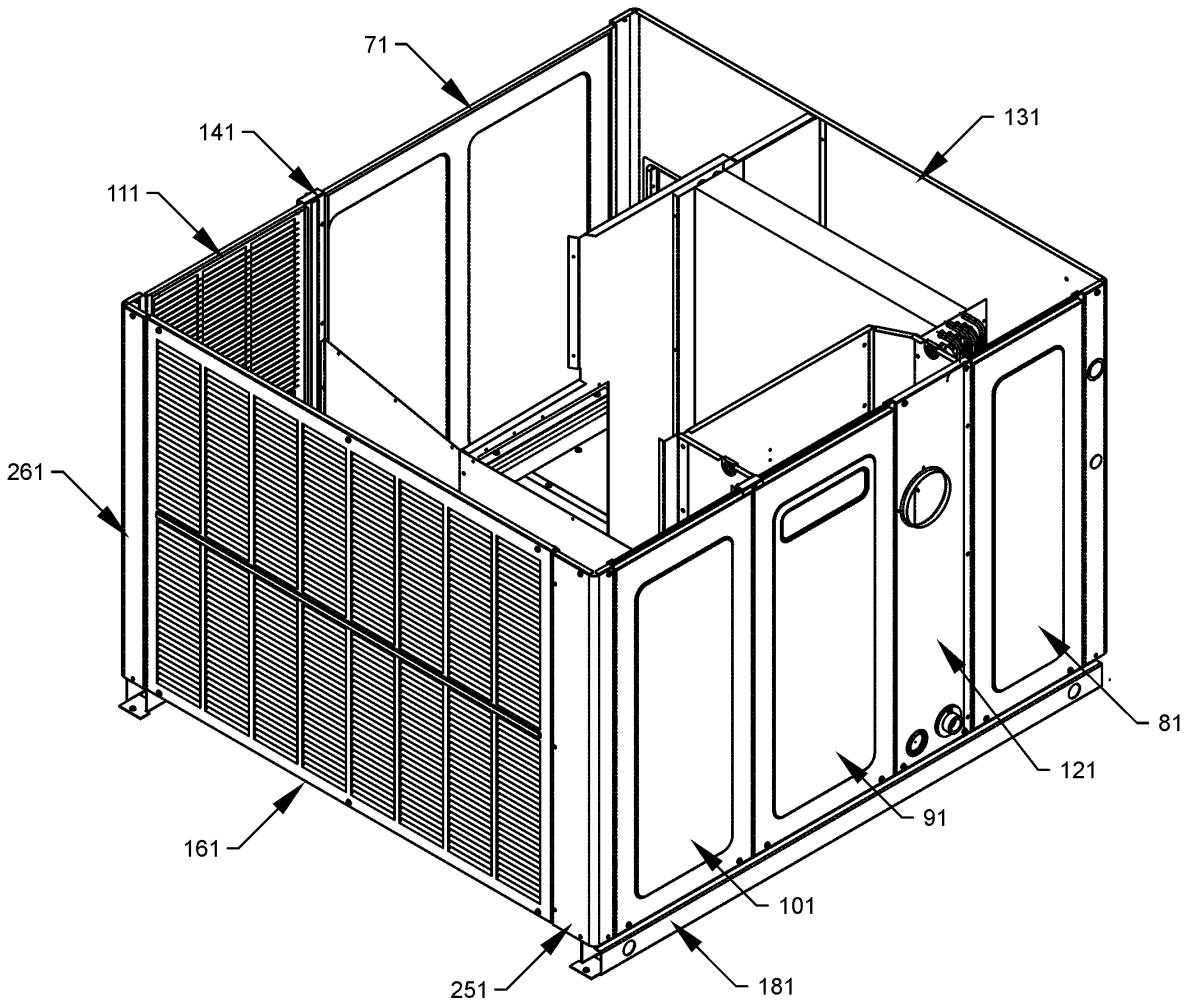
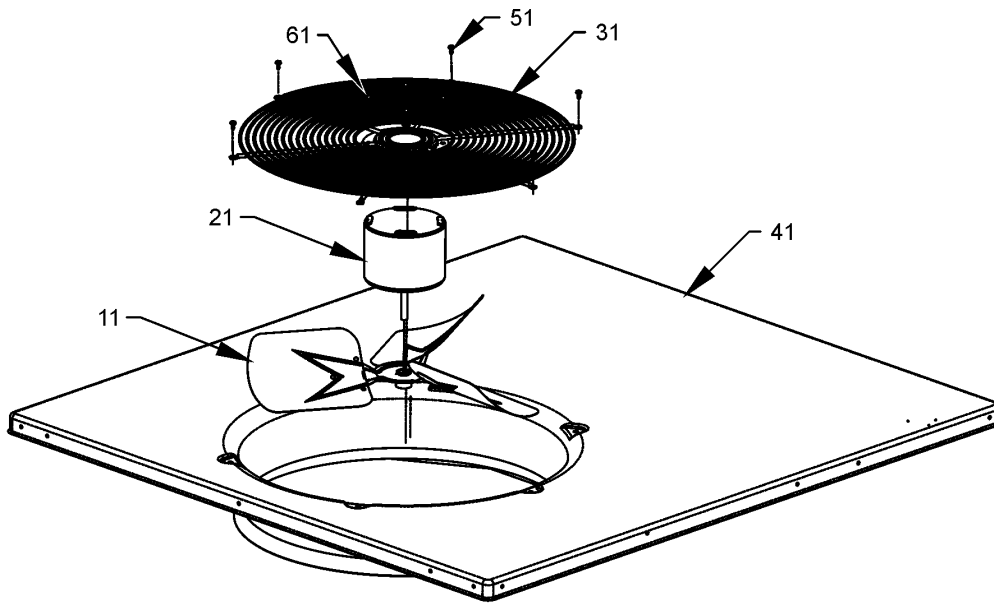
B1370751	24V RELAY
0163F00017	BECKETT BURNER (QTY 2)
B1368016	BLOWER WHEEL 10 X 8
CAP050350440CS	CAPACITOR 5/35/440V
ZP20K5EPFV130	COMPRESSOR 20000, 208/230/60/1
CONT1P025024V	CONTACTOR 25 AMP, 1P, 24V
0131M00750M	CONTROLLERLESS MOTOR
0150M00008	FAN BLADE, 22" TNT2203-25
0130F00010	FLAME SENSOR
B1282628	GAS VALVE (36G)
0130M00074	HIGH PRESSURE SWITCH
PCBAG123	IGNITION BOARD, DSI INTEGRATED
0130F00014	IGNITOR
10728342	LIMIT SWITCH
10123532	MANUAL RESET LIMIT 350°F
0131M00753	MOTOR, 1/6HP, 1SP, 8PL, AL
0131G00000P	MOTOR, ID BLOWER
11112501	PRESSURE SWITCH
0131G00016	PROGRAMMED CONTROLLER
0130M00138	TRANSFORMER, 208/230, 24V

Expanded Model Nomenclature

M1 - DP14GM2404041AC

M2 - DP14GM2406041AC

Top Panel / Fan / Cabinet



Top Panel / Fan / Cabinet

Ref. Part No:	No:	Description:	Ref. Part No:	No:	Description:
---------------	-----	--------------	---------------	-----	--------------

Image 1:

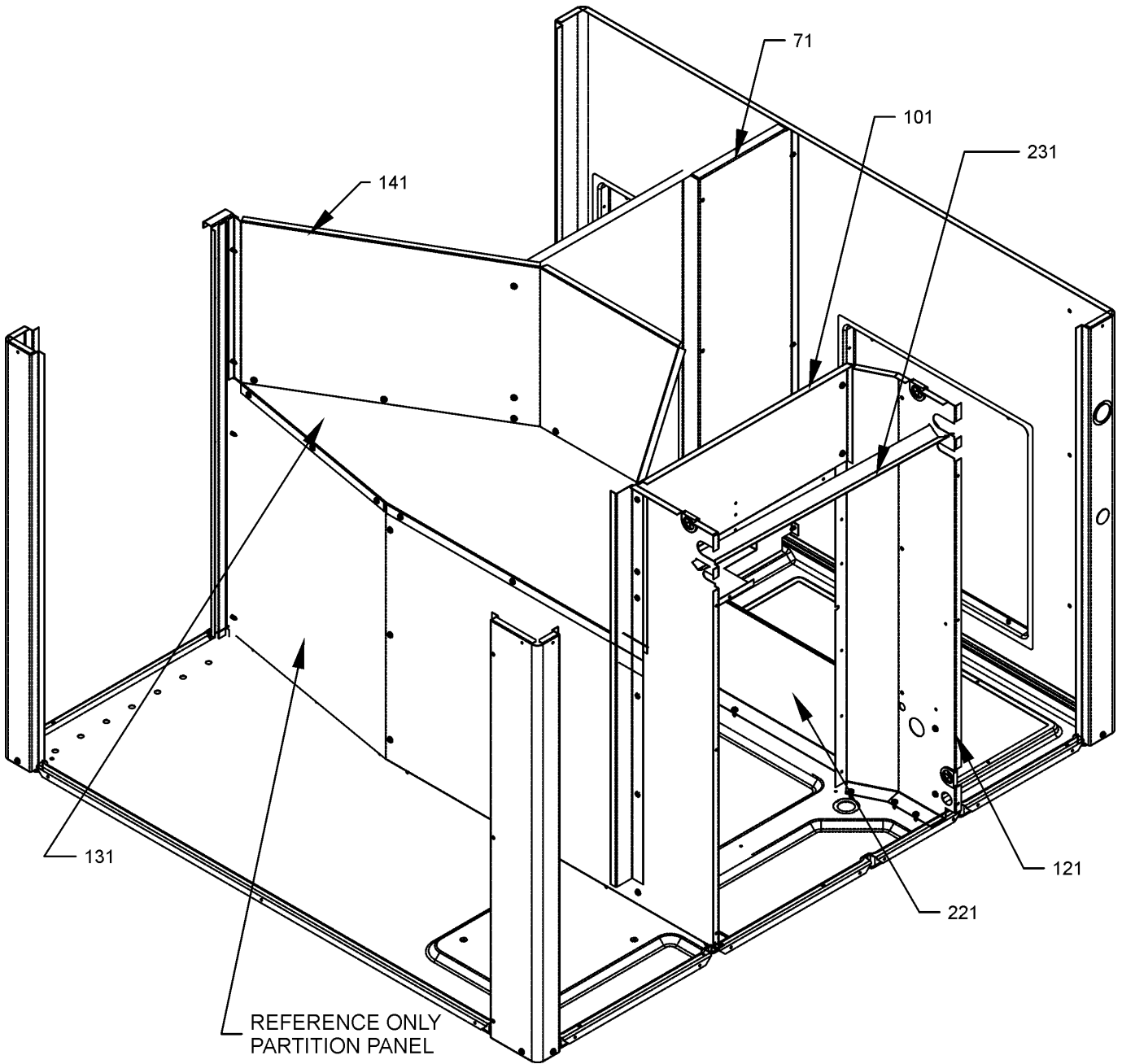
11	0150M00008	FAN BLADE, 22" TNT2203-25
21	0131M00753	MOTOR, 1/6HP, 1SP, 8PL, AL
31	0152G00003	GRILLE-FAN
41	0121G00156NG	TOP PANEL
51	M0221817	SMALL SCREW (QTY 2)
61	0163M00006P	ACORN NUT 5/16 HEX BLACK (QTY 4)
71	20464801NG	BLOWER DOOR 32"
81	20464802NG	EVAP/CONTROL DOOR-32
91	0121G00526NG	HEAT EXCHANGER DOOR 32"
101	20464804NG	COMPRESSOR DOOR-32
111	20467701NG	COND SIDE PANEL- 32
121	20466101NG	UTILITY PANEL 32"
131	0121G00802NG	PNL, DUCT, GAS 32.5" PNT
141	0121G00460	POST-SUPPORT, SIDE
161	0121G00728NG	PANEL-COND LOUVERED 32
181	0121G00290	BASE PAN RAIL (QTY 2)
251	20464201NG	CORNER POST-COMP END 32"
261	0121G00454NG	CORNER-POST HPIN END, PNT
NS	0161G00016	CONDUIT PVC
NS	0270G00500	FLUE HOOD ASSY

Expanded Model Nomenclature

M1 - DP14GM2404041AC

M2 - DP14GM2406041AC

Partition Assembly



Partition Assembly

Ref. Part No:	No:	Description:	Ref. Part No:	No:	Description:
---------------	-----	--------------	---------------	-----	--------------

Image 1:

71	20465305	BLOWER DIVIDER
101	20465201	FILLER PANEL, HEAT EXCHANGER 32"
121	0121G00757	DIVIDER, EVAP/HT EXCH 32
131	20465701	FAN PARTITION SHELF
141	20465801	FAN SURROUND 32"
221	20463802	BLOCK-EVAP/BPAN 32
231	0121G00555	DRAIN CHANNEL, SUCTION TUBE

Expanded Model Nomenclature

M1 - DP14GM2404041AC
M2 - DP14GM2406041AC

Basepan / Blower Assembly

Image 1

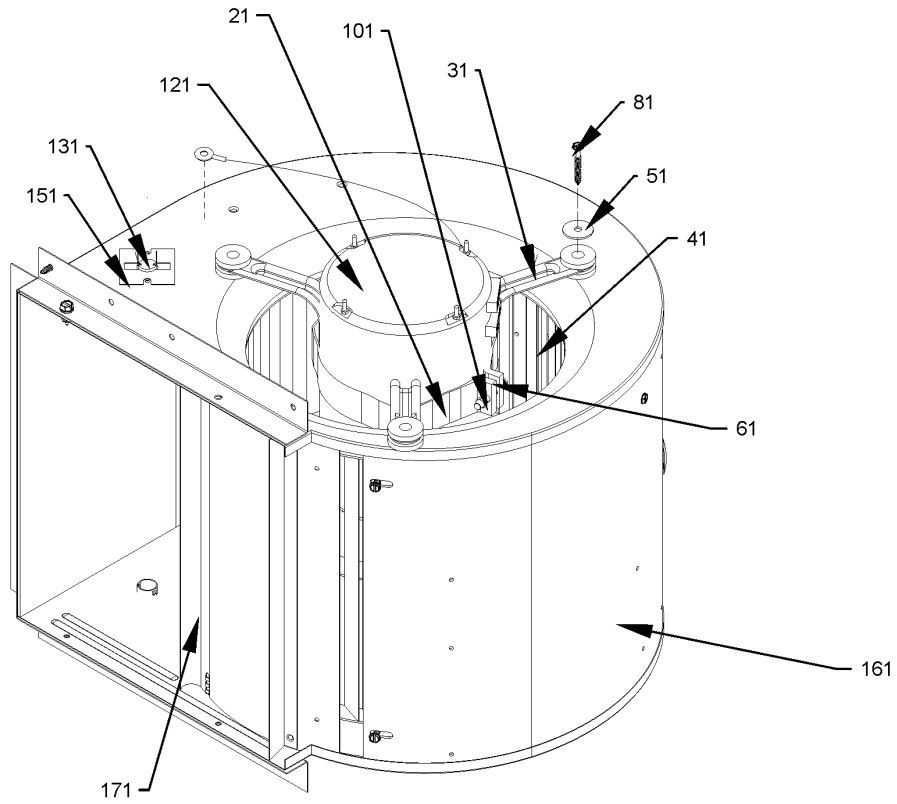
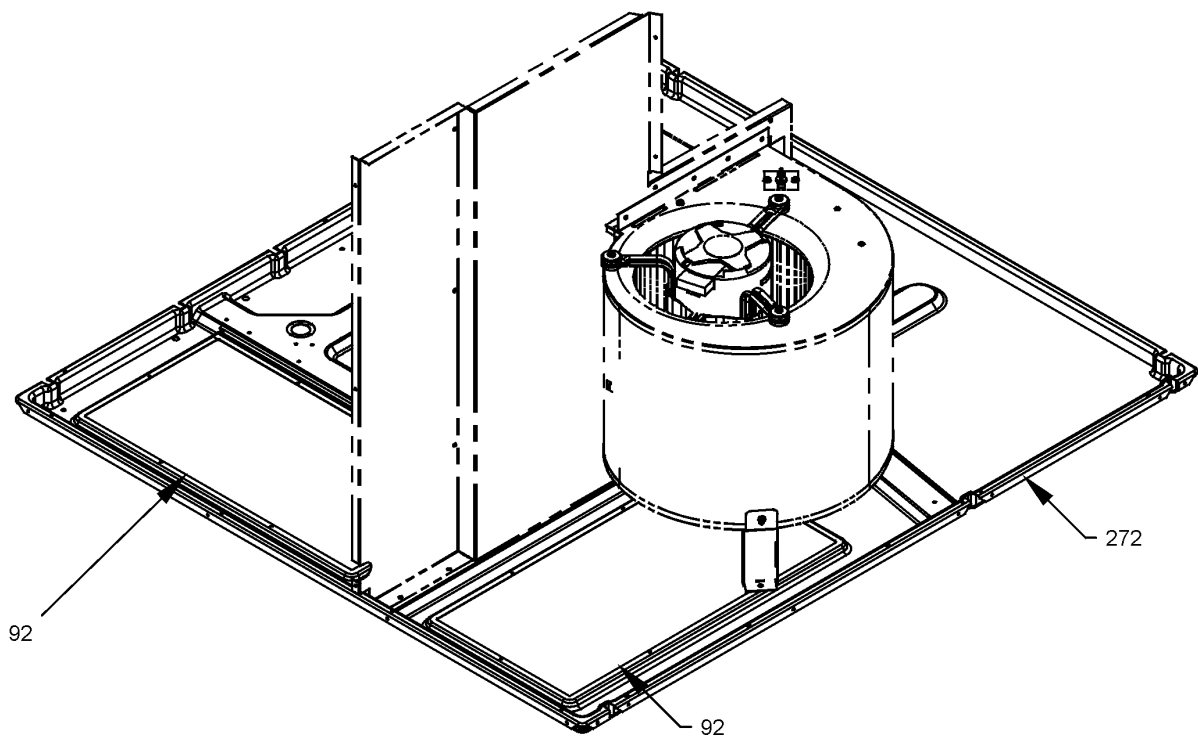


Image 2



Basepan / Blower Assembly

Ref. Part No:	No:	Description:	Ref. Part No:	No:	Description:
---------------	-----	--------------	---------------	-----	--------------

Image 1:

21	0121M00038	MOTOR MOUNT BAND
31	B1376857	MOTOR MOUNT ARM (QTY 3)
41	B1368016	BLOWER WHEEL 10 X 8
51	B1392918	WASHER FLAT 1/4 ID X 1 OD (QTY 3)
61	B1393323	SCREW,MACHI HWH 1/4-20X1 1/2 BZ
81	M0250565	TC SCREW 1.25" (QTY 3)
101	B1393800	LOCKNUT, NYLON, INSERT 1/4, 20
121	0131M00750M	CONTROLLERLESS MOTOR
121	0131G00016	PROGRAMMED CONTROLLER
131	20269903	AUXILIARY LIMIT, AUTO RESET
151	2509503	BRACKET F/ROLLOUT SWUT SWITCH
161	0271G00025	BLOWER HOUSING ASSY 10 X 8
171	764740	BLWR BLK-OFF ,10X8

Image 2:

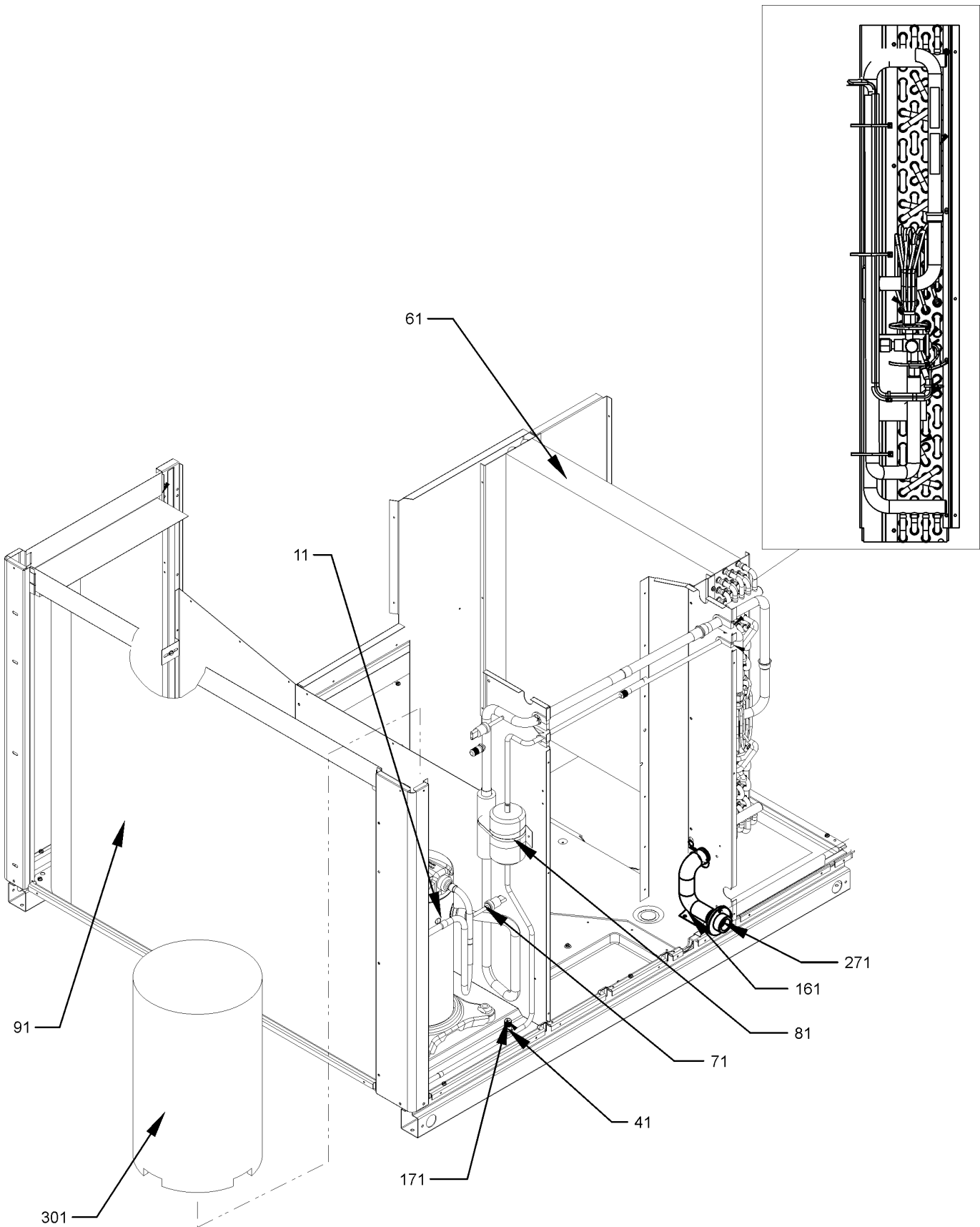
92	0121G00148	SINGLE COVER, DOWN DISCHARGE (QTY 2)
272	0121G00444	BASEPAN, PACKAGE

Expanded Model Nomenclature

M1 - DP14GM2404041AC

M2 - DP14GM2406041AC

Compressor / Tubing Assembly



Compressor / Tubing Assembly

Ref. Part No: No:	Description:	Ref. Part No: No:	Description:
-------------------	--------------	-------------------	--------------

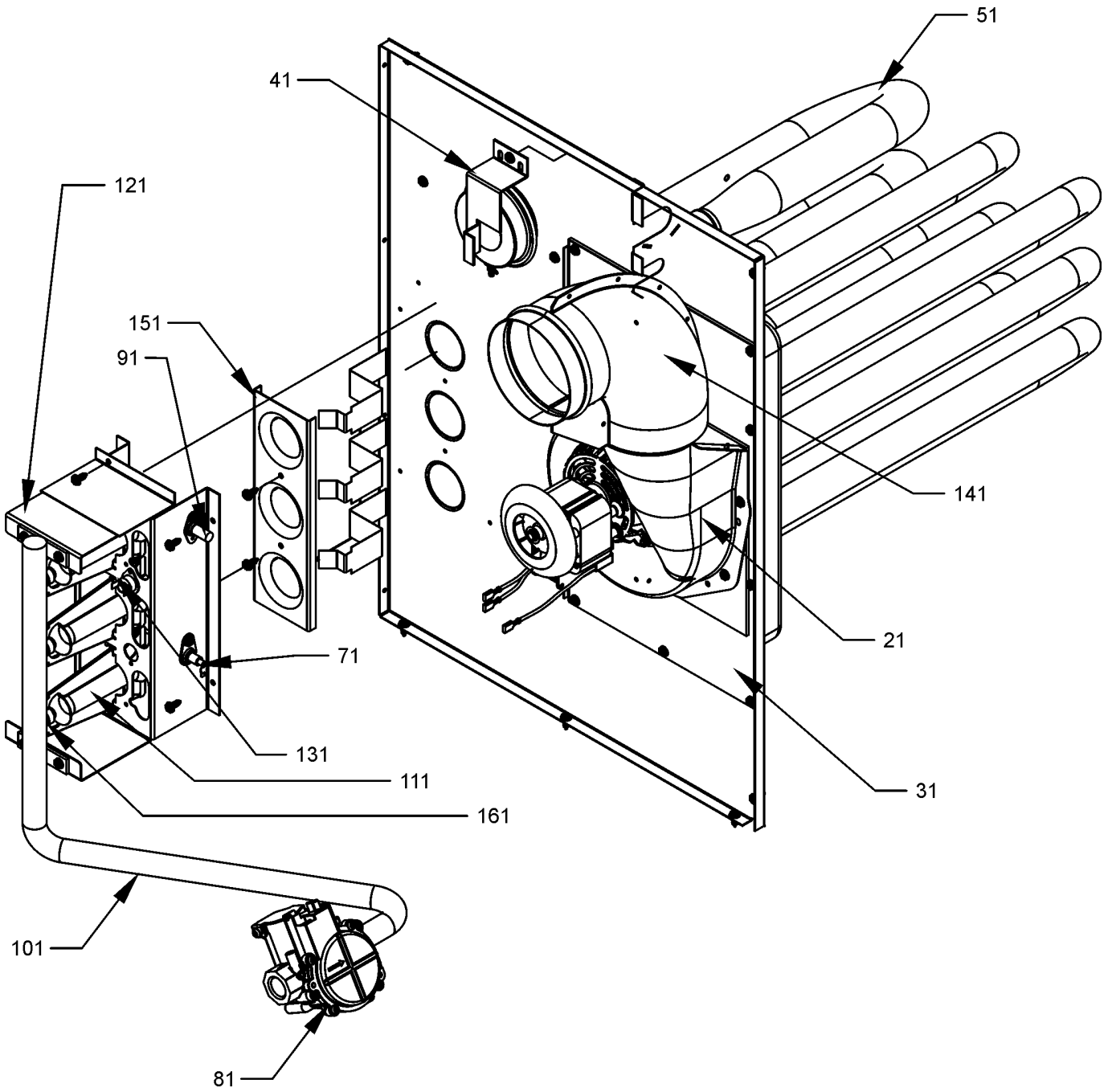
Image 1:

11	ZP20K5EPFV130	COMPRESSOR 20000, 208/230/60/1
41	B1373315	ACCESS FITTING (QTY 2)
61	0202G00565	EVAPORATOR COIL ASSY
71	0130M00074	HIGH PRESSURE SWITCH
81	B1219212	SINGLE-FLOW FILTER DRIER, STEEL
91	0201G00142	COND COIL TUBING ASSY
161	20498302	DRAIN TUBE 32"
171	0163M00175	CAP WITH O-RING (QTY 2)
271	20513001	EVAP DRAIN FITTING
301	0160M00039	COMPRESSOR BLANKET
NS	0259G00209	BLOWER HARNESS
NS	B1339533	COMPRESSOR GROMMET (QTY 4)
NS	20464901DF	DRAIN PAN-EVAP COIL
NS	0159G00014	HARNESS-COMP SCROLL
NS	B1810011	HOSE CLAMP 1.25 (QTY 2)
NS	M0221641	SCREW-SHOULDER TF (QTY 4)
NS	M0221641	TF SHOULDER SCREW (QTY 4)

Expanded Model Nomenclature

M1 - DP14GM2404041AC
M2 - DP14GM2406041AC

Heat Exchanger / Manifold / Gas Valve



Heat Exchanger / Manifold / Gas Valve

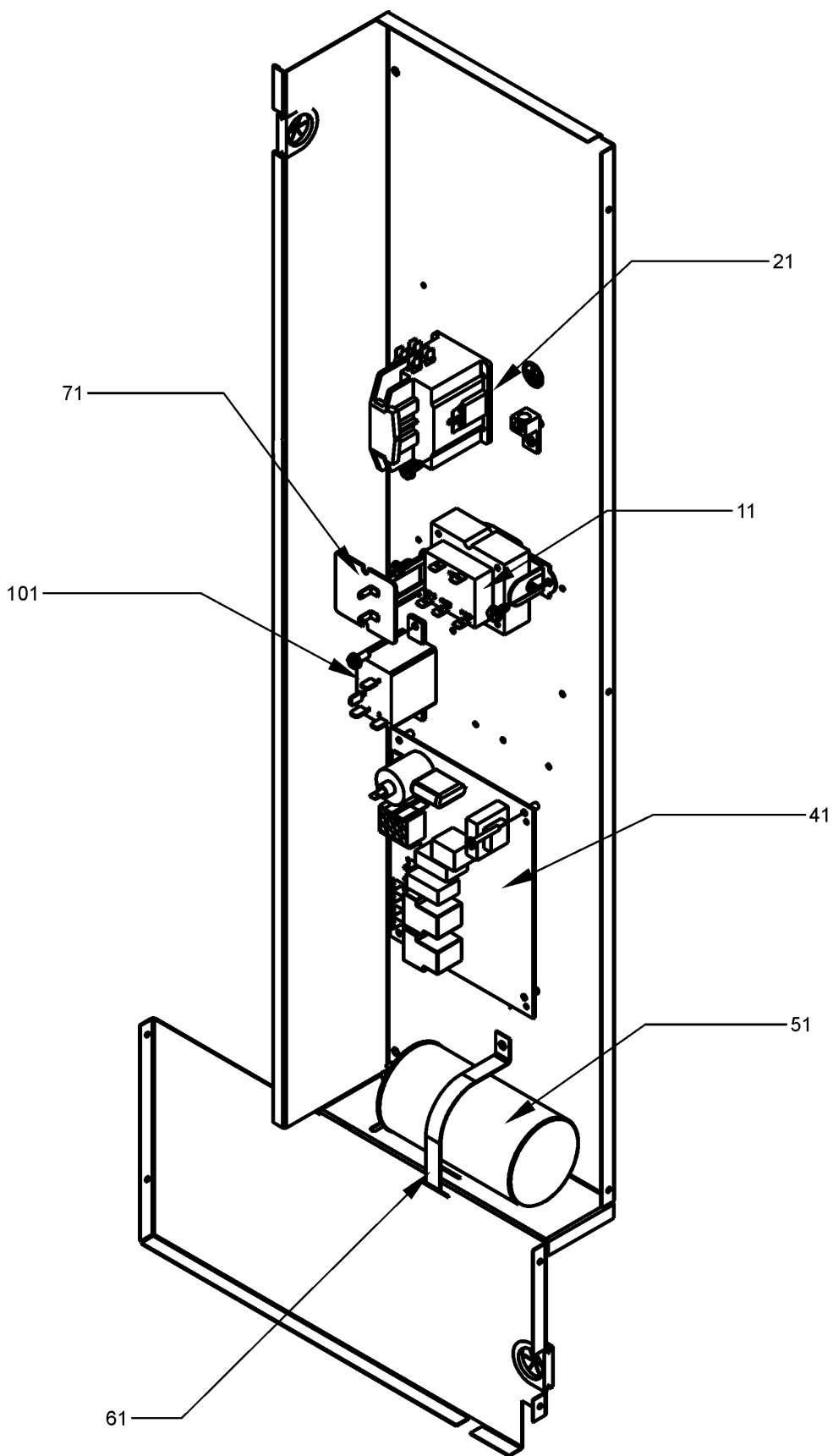
Ref. Part No:	No:	Description:	Ref. Part No:	No:	Description:
Image 1:					
21	0131G00000P	MOTOR, ID BLOWER			
31	0121G00739	PLATE-ID BLOWER (M1)			
31	0121G00740	PLATE-ID BLOWER (M2)			
41	11112501	PRESSURE SWITCH			
51	20490715	PART/TUBE ASSY (M1)			
51	20490710	PART/TUBE ASSY 3B (M2)			
71	0130F00014	IGNITOR			
81	B1282628	GAS VALVE (36G)			
91	0130F00010	FLAME SENSOR			
101	20493103	MANIFOLD- 3 BRNR 32 (M2)			
101	0121M00035P	MANIFOLD-2 BURNER (M1)			
111	0163F00017	BECKETT BURNER (QTY 2)			
121	20190410	BRKT-BURNER 2B FUR (M1)			
121	0121L02164	BRKT-BURNER 3B FUR (M2)			
131	10123532	MANUAL RESET LIMIT 350°F			
141	20484401	FLUE ELBOW LEFT			
141	20484402	FLUE ELBOW RIGHT			
151	11072201	ORIFICE SHIELD (M1)			
151	11072202	ORIFICE SHIELD (M2)			
161	10716005	ORIFICE (QTY 2)			
NS	0154G00020	GASKET-ID BLOWER & PLATE			

Expanded Model Nomenclature

M1 - DP14GM2404041AC

M2 - DP14GM2406041AC

Control Panel



Control Panel

Ref. Part No:	No:	Description:	Ref. Part No:	No:	Description:
---------------	-----	--------------	---------------	-----	--------------

Image 1:

11	0130M00138	TRANSFORMER, 208/230, 24V
21	CONT1P025024V	CONTACTOR 25 AMP, 1P, 24V
41	PCBAG123	IGNITION BOARD, DSI INTEGRATED
51	CAP050350440CS	CAPACITOR 5/35/440V
61	20520901	CAPACITOR STRAP
71	10728342	LIMIT SWITCH
101	B1370751	24V RELAY
NS	0259G00207	HARNES-CONTROL, FAN

Expanded Model Nomenclature

M1 - DP14GM2404041AC
M2 - DP14GM2406041AC