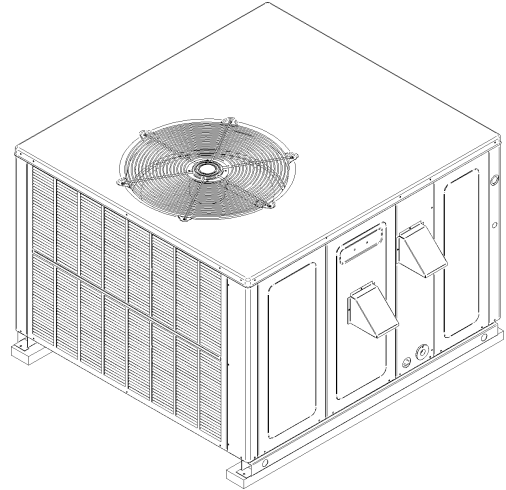


GPD14 Multiposition Dual Fuel Package Unit

GPD1424060M41AB



This manual is to be used by qualified technicians only.

© 2020 Goodman Manufacturing Company, L.P. ♦ 5151 San Felipe St, Suite 500 ♦ Houston, TX 77056

Important Information

Index

Functional Parts List	3
Illustration and Parts	4 - 15

Views shown are for parts illustrations only, not servicing procedures

Text Codes:

AR - As Required

NA - Not Available

NS - Not Shown

00000000 - See Note

QTY - Quantity Example (QTY 3) (If Quantity not shown, Quantity = 1)

M - Model Example (M1) (If M Code not shown, then part is used on all Models)

Expanded Model Nomenclature:

Example M1 - Model#1 M2 - Model#2 M3 - Model#3

Goodman Manufacturing Company, L.P. is not responsible for personal injury or property damage resulting from improper service. Review all service information before beginning repairs.

Warranty service must be performed by an authorized technician, using authorized factory parts. If service is required after the warranty expires, Goodman Manufacturing Company, L.P. also recommends contacting an authorized technician and using authorized factory parts.

Goodman Manufacturing Company, L.P. reserves the right to discontinue, or change at any time, specifications or designs without notice or without incurring obligations.

For assistance within the U.S.A. contact:
Homeowner Support
Goodman Manufacturing Company, L.P.
19001 Kermier Road
Waller, Texas 77484
877-254-4729-Telephone
713-863-2382-Facsimile

For assistance outside the U.S.A. contact:
International Division
Goodman Manufacturing Company, L.P.
19001 Kermier Road
Waller, Texas 77484
713-861-2500-Telephone
713-863-2382-Facsimile

Functional Parts

Part

No:

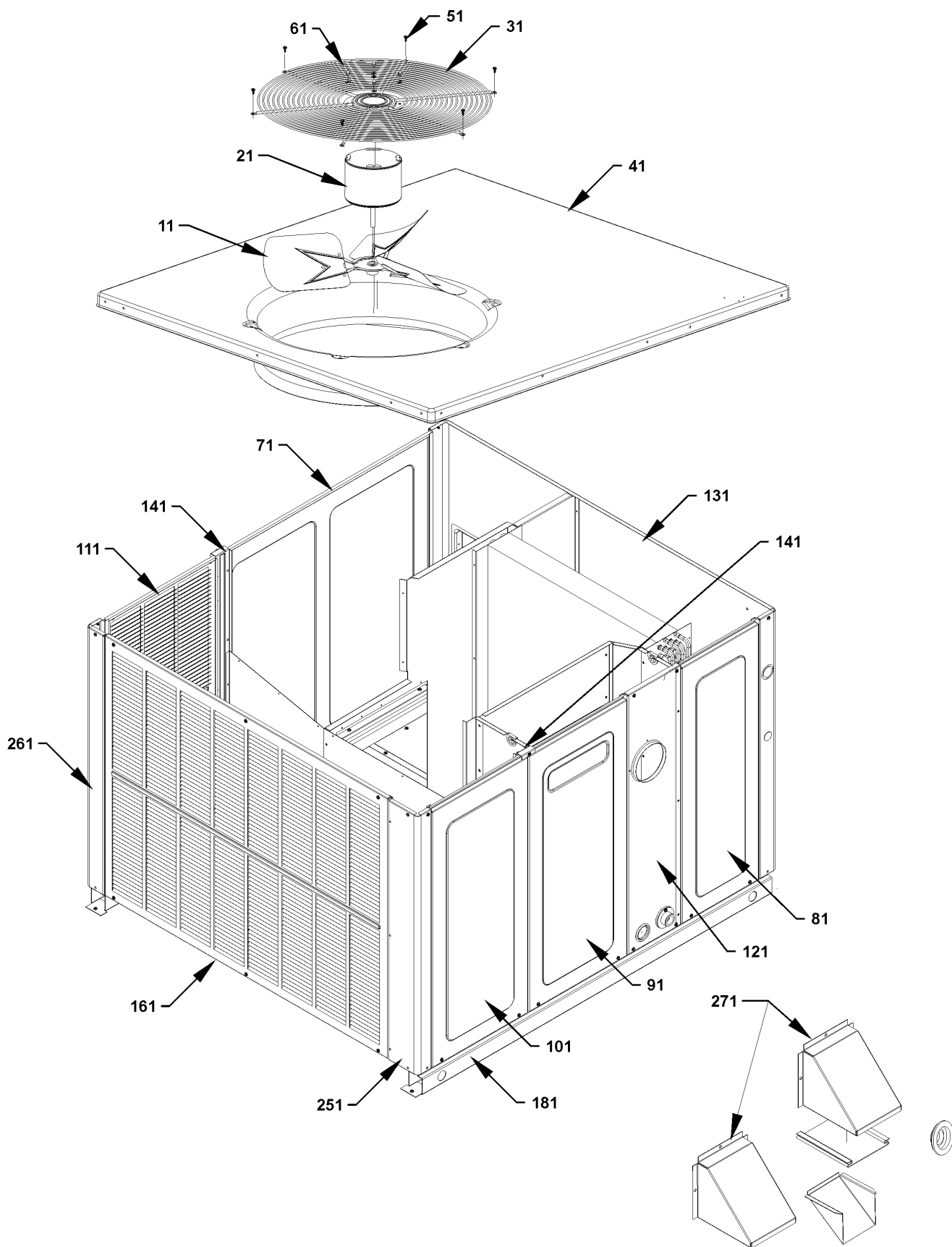
Description:

0130M00025	24V RELAY
20269903	AUXILIARY LIMIT, AUTO RESET
0163F00017	BECKETT BURNER (QTY 3)
B1368058	BLOWER WHEEL 10 X 8
CAP050400440CT	CAPACITOR 5/40/440V/DUAL RD
ZP21K5EPFV130	COMPRESSOR 21300, 208/230/60/1
CONT1P025024V	CONTACTOR 25 AMP, 1P, 24V
0130M00099	CONTROL, DEFROST
0131M00750M	CONTROLLERLESS MOTOR
0150M00008	FAN BLADE, 22" TNT2203-25
0130F00010	FLAME SENSOR
0151F00000P	GAS VALVE - WHITE-RODGERS 2-STAGE
0130M00074	HIGH PRESSURE SWITCH
0130F00014	IGNITOR
10728343	LIMIT SWITCH
0130M00075	LOW PRESSURE SWITCH
10123529	MANUAL RESET LIMIT
0131M00753	MOTOR, 1/6HP, 1SP, 8PL, AL
PCBDM133	PCB, DEFROST CONTROL
PCBAG127	PCB, IGNITION, DSI, 2 STG
11112501	PRESSURE SWITCH
0131M00692	PROGRAMMED CONTROLLER
0151R00069	REVERSING VALVE
B1225022	SOLENOID COIL
0130M00138	TRANSFORMER, 208/230, 24V

Expanded Model Nomenclature

M1 - GPD1424060M41AB

Top Panel/Fan/Cabinet



Top Panel/Fan/Cabinet

Ref. Part No:	Ref. Part No:	Description:	Description:
---------------	---------------	--------------	--------------

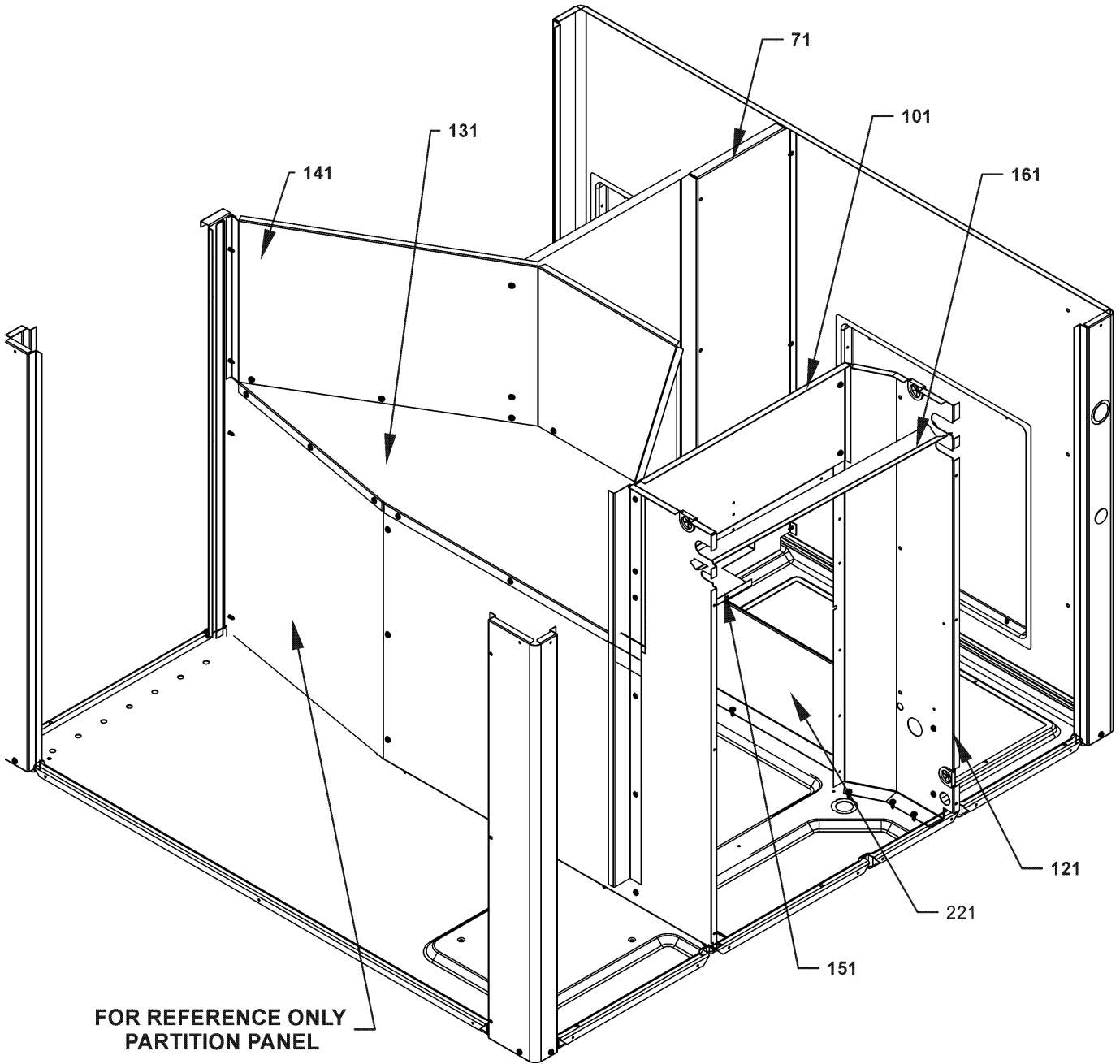
Image 1:

11	0150M00008	FAN BLADE, 22" TNT2203-25
21	0131M00753	MOTOR, 1/6HP, 1SP, 8PL, AL
31	0152G00003	FAN GRILLE
41	0121G00156PDG	TOP PANEL
51	M0221817	SMALL SCREW (QTY 8)
61	0163M00006P	ACORN NUT 5/16 HEX BLACK (QTY 4)
71	20464801PDG	BLOWER DOOR 32"
81	20464802PDG	EVAP/CONTROL DOOR 32"
91	0121G00526DG	HT EXCHANGE DOOR 32"
101	20464804PDG	COMPRESSOR DOOR 32"
111	20467701PDG	LOUVERED PANEL, COND SIDE 32"
121	20466101PDG	UTILITY PANEL 32"
131	0121G00802DG	PNL, DUCT, GAS 32.5" PNT
141	0121G00460	SUPPORT POST 32"
161	0121G00728DG	PANEL-COND LOUVERED 32
181	0121G00290	BASE PAN RAIL (QTY 2)
251	20464201PDG	CORNER POST-COMP END 32"
261	20464301PDG	CORNER POST-HAIRPIN END 32"
271	0270G00500	FLUE HOOD ASSY
NS	B1373315	ACCESS FITTING (QTY 2)
NS	0163M00175	CAP WITH O-RING (QTY 2)
NS	0161G00016	CONDUIT PVC
NS	0163M00005P	WASHER, BLACK (.50 OD .218ID) (QTY 4)
NS	0259G00106	WIRE HARNESS, FAN MOTOR

Expanded Model Nomenclature

M1 - GPD1424060M41AB

Partition Panels



Partition Panels

Ref. Part No:	Description:	Ref. Part No:	Description:
---------------	--------------	---------------	--------------

Image 1:

71	20465305	BLOWER DIVIDER
101	20465201	FILLER PANEL, HEAT EXCHANGER 32"
121	0121G00757	DIVIDER, EVAP/HT EXCH 32
131	20465701	FAN PARTITION SHELF
141	20465801	FAN SURROUND 32"
151	20472501	SHIELD, HEAT EXCHANGER TUBES
161	0121G00555	DRAIN CHANNEL, SUCTION TUBE
221	20463802	EVAP/BASEPAN BLOCK 32"

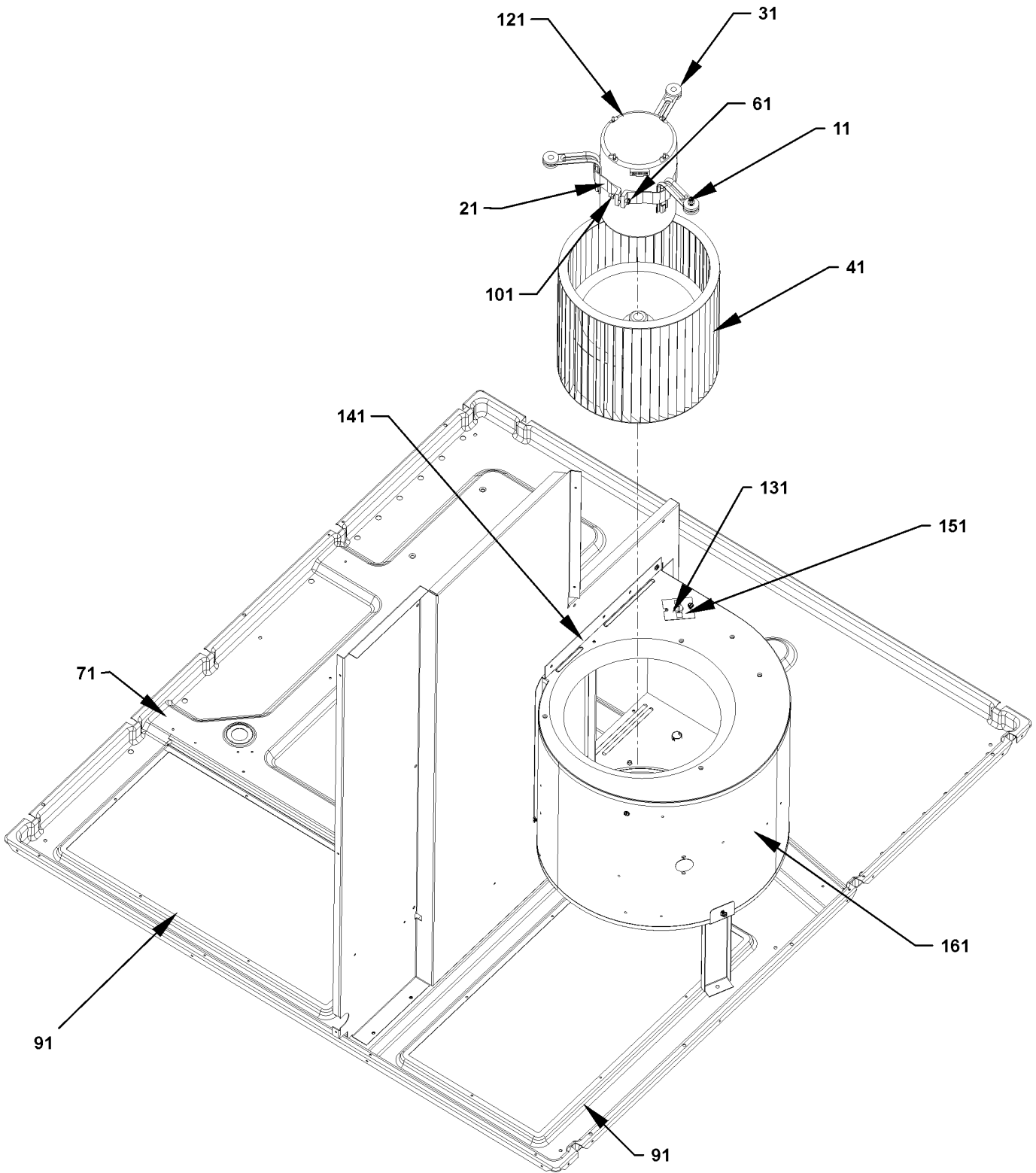
Expanded Model Nomenclature

M1 - GPD1424060M41AB

Effective July 2008 (serial codes 0807), single phase units will no longer be factory shipped with horizontal duct covers.

For downshot applications, contact your local Goodman distributor.

Basepan/Blower Assembly



Basepan/Blower Assembly

Ref. Part No:	No:	Description:	Ref. Part No:	No:	Description:
---------------	-----	--------------	---------------	-----	--------------

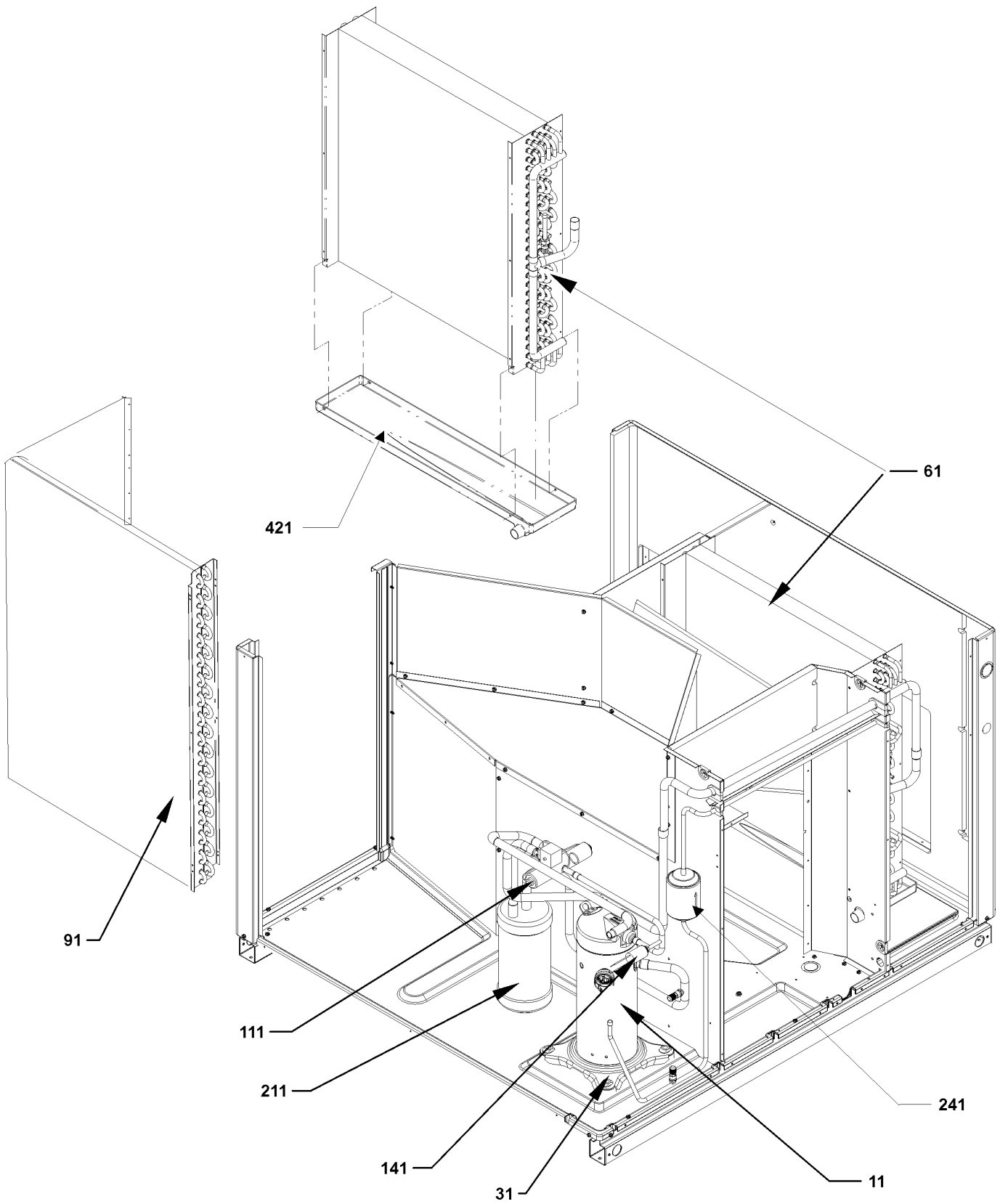
Image 1:

11	M0250565	TC SCREW 1.25" (QTY 3)
21	0121M00038	MOTOR MOUNT BAND
31	B1376857	MOTOR MOUNT ARM (QTY 3)
41	B1368058	BLOWER WHEEL 10 X 8
61	B1393323	MACHINE SCREW HWH 1/4-20 X 1-1/2 BZ
71	0121G00444	BASEPAN, PACKAGE
91	0121G00148	SINGLE COVER, DOWN DISCHARGE
101	B1393800	LOCKNUT, NYLON, INSERT 1/4, 20
121	0131M00750M	CONTROLLERLESS MOTOR
121	0131M00692	PROGRAMMED CONTROLLER
131	20269903	AUXILIARY LIMIT, AUTO RESET
141	764740	BLOWER BLOCK-OFF 10 X 8
151	2509503	BRACKET F/ROLLOUT SWUT SWITCH
161	0271F00001P	BLOWER HOUSING ASSY 10 X 8

Expanded Model Nomenclature

M1 - GPD1424060M41AB

Compressor/Tubing Assembly



Compressor/Tubing Assembly

Ref. Part No:	No:	Description:	Ref. Part No:	No:	Description:
---------------	-----	--------------	---------------	-----	--------------

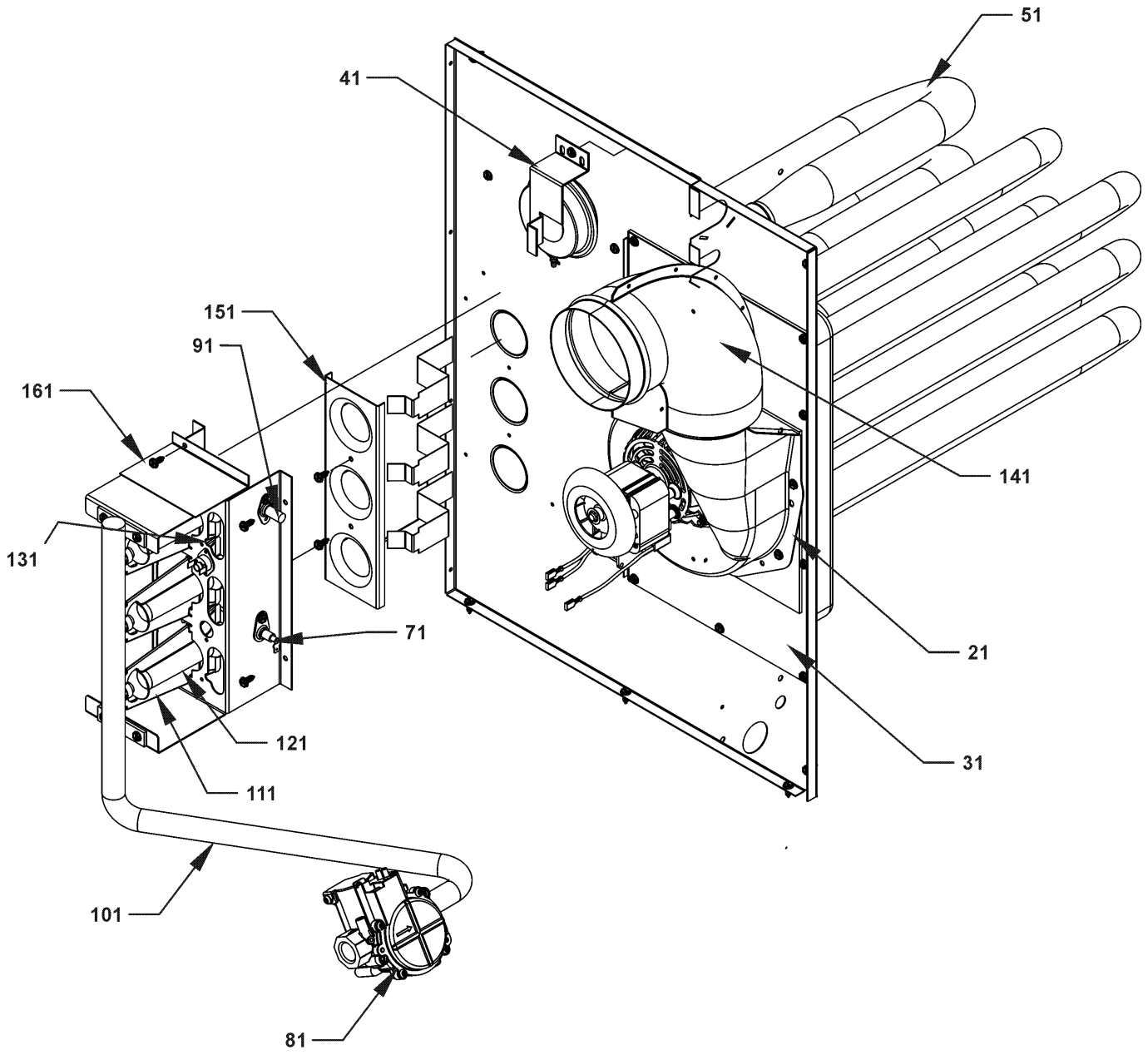
Image 1:

11	ZP21K5EPFV130	COMPRESSOR 21300, 208/230/60/1
31	M0221641	TF SHOULDER SCREW
61	0202G00659	EVAP COIL ASSY
91	0201G00257	COND COIL TUBING ASSY
111	0151R00069	REVERSING VALVE
141	0130M00074	HIGH PRESSURE SWITCH
211	B1226206	ACCUMULATOR
241	20485201	BI-FLOW FILTER DRIER
421	20464901DF	DRAIN PAN-EVAP COIL
NS	B1339533	COMPRESSOR GROMMET
NS	0130M00099	CONTROL, DEFROST
NS	20513001	EVAP DRAIN FITTING
NS	0159G00014	HARNESS-COMP SCROLL
NS	0130M00075	LOW PRESSURE SWITCH
NS	B1225022	SOLENOID COIL
NS	0259G00029	WIRE ASSY-9 CIRCUIT

Expanded Model Nomenclature

M1 - GPD1424060M41AB

Heat Exchanger/Manifold/Gas Valve



Heat Exchanger/Manifold/Gas Valve

Ref. Part No:	No:	Description:	Ref. Part No:	No:	Description:
---------------	-----	--------------	---------------	-----	--------------

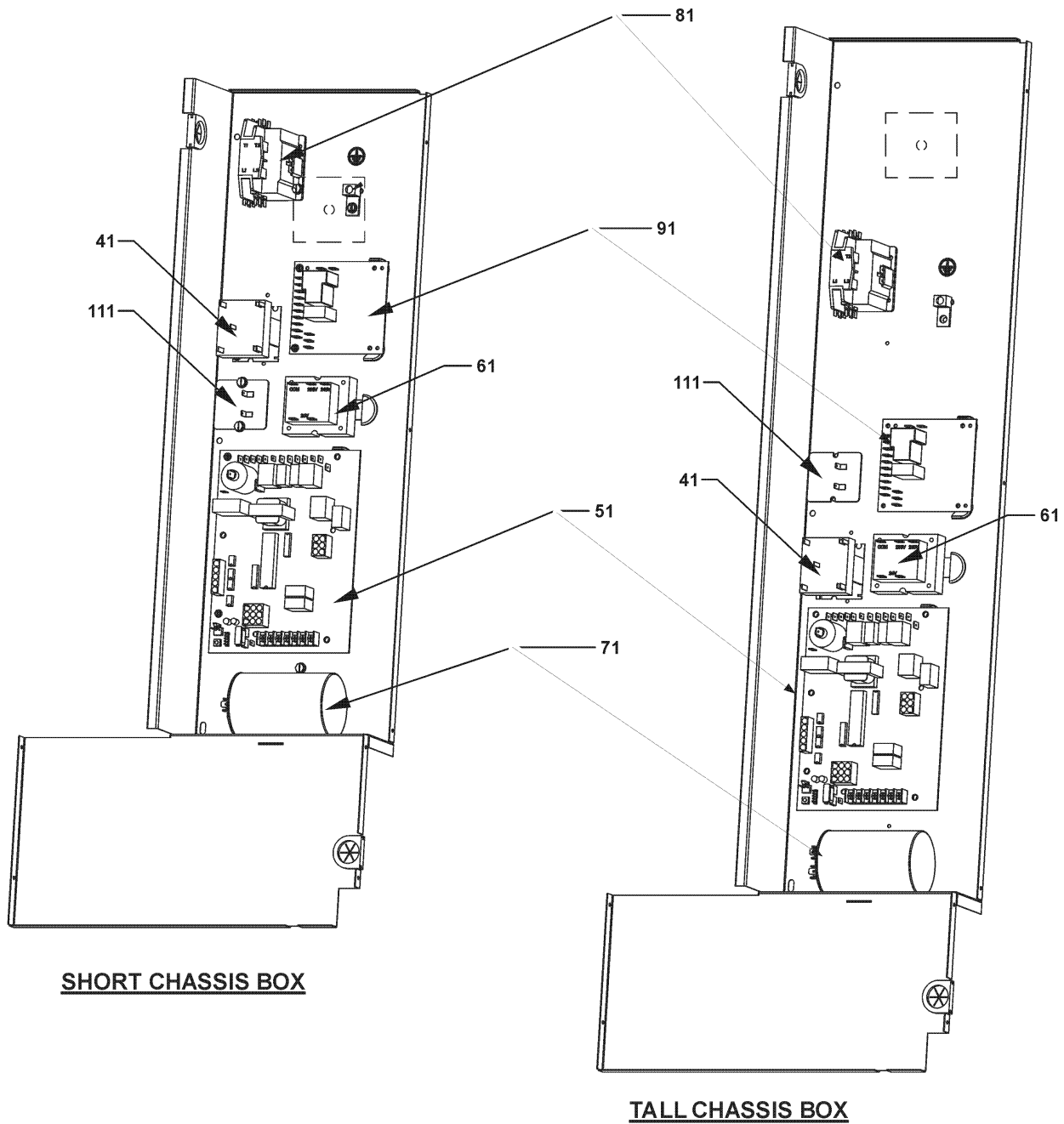
Image 1:

21	0131G00001	ID BLOWER			
31	0121G00740	PLATE-ID BLOWER			
41	11112501	PRESSURE SWITCH			
51	20490707	PART/TUBE ASSY 3B			
71	0130F00014	IGNITOR			
81	0151F00000P	GAS VALVE - WHITE-RODGERS 2-STAGE			
91	0130F00010	FLAME SENSOR			
101	20493103	MANIFOLD- 3 BRNR 32			
111	0163F00017	BECKETT BURNER (QTY 3)			
121	0121L02164	BRKT-BURNER 3B FUR			
131	10123529	MANUAL RESET LIMIT			
141	20484401	ELBOW-FLUE LEFT			
141	20484402	ELBOW-FLUE RIGHT			
151	11072202	ORIFICE SHIELD			
161	M0221817	SMALL SCREW (QTY 8)			
NS	0154G00020	GASKET-ID BLOWER & PLATE			
NS	10716005	ORIFICE (QTY 3)			

Expanded Model Nomenclature

M1 - GPD1424060M41AB

Control Panel



Control Panel

Ref. Part No:	No:	Description:	Ref. Part No:	No:	Description:
---------------	-----	--------------	---------------	-----	--------------

Image 1:

41	0130M00025	24V RELAY
51	PCBAG127	PCB, IGNITION, DSI, 2 STG
61	0130M00138	TRANSFORMER, 208/230, 24V
71	CAP050400440CT	CAPACITOR 5/40/440V/DUAL RD
81	CONT1P025024V	CONTACTOR 25 AMP, 1P, 24V
91	PCBDM133	PCB, DEFROST CONTROL
111	10728343	LIMIT SWITCH
NS	20520901	CAPACITOR STRAP
NS	0259G00110	WIRE HARNESS, 9 CIRCUIT
NS	0259G00100	WIRE HARNESS, OUTDOOR THERMO

Expanded Model Nomenclature

M1 - GPD1424060M41AB