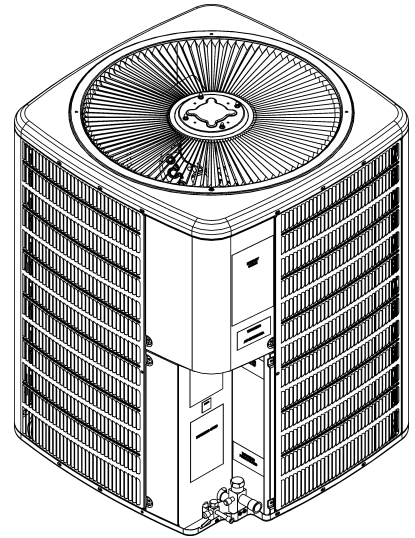


DX13SA Remote Condensing Unit

DX13SA0364AB
DX13SA0483AD
DX13SA0483AF
DX13SA0484AD
DX13SA0603AC
DX13SA0603AD
DX13SA0604AD
DX13SA0604AE



This manual is to be used by qualified technicians only.

This manual replaces RP-D4313A.

Important Information

Index

Functional Parts List	3
Illustration and Parts	4 - 9

Views shown are for parts illustrations only, not servicing procedures

Text Codes:

AR - As Required

NA - Not Available

NS - Not Shown

00000000 - See Note

QTY - Quantity Example (QTY 3) (If Quantity not shown, Quantity = 1)

M - Model Example (M1) (If M Code not shown, then part is used on all Models)

Expanded Model Nomenclature:

Example M1 - Model#1 M2 - Model#2 M3 - Model#3

Daikin Manufacturing Company, L.P. is not responsible for personal injury or property damage resulting from improper service. Review all service information before beginning repairs.

Warranty service must be performed by an authorized technician, using authorized factory parts. If service is required after the warranty expires, Daikin Manufacturing Company, L.P. also recommends contacting an authorized technician and using authorized factory parts.

Daikin Manufacturing Company, L.P. reserves the right to discontinue, or change at any time, specifications or designs without notice or without incurring obligations.

For assistance within the U.S.A. contact:

Homeowner Support
Daikin North America, LLC
19001 Kermier Road
Waller, Texas 77484
855-770-5678-Telephone
713-863-2382-Facsimile

For assistance outside the U.S.A. contact:

International Division
Daikin North America, LLC
19001 Kermier Road
Waller, Texas 77484
713-861-2500-Telephone
713-863-2382-Facsimile

Functional Parts

Part

No: Description:

0151R00079	BASE VALVE 3/4" (M1)
0151R00167	BASE VALVE 3/8"
0151R00080	BASE VALVE 7/8" (M2, M3, M4, M5, M6, M7, M8)
10625738	BLADE-FAN 26" ALUM CCW (M5, M7)
CAP050000370LA	CAPACITOR 5/370V
ZP31K5ETFD130	COMPRESSOR 31200, 460/60/3 (M1)
ZP39K5ETF5130	COMPRESSOR 39000, 200/230/60/3 (M2, M3)
ZP39K5ETFD130	COMPRESSOR 39000, 460/60/3 (M4)
ZP51K5ETF5130	COMPRESSOR 51000, 208/230/60/3 (M5, M6)
ZP51K5ETFD130	COMPRESSOR 51000, 460/60/3 (M7, M8)
CONT3P025024V	CONTACTOR 25 AMP, 3P, 24V
0150M00008	FAN BLADE, 22" TNT2203-25 (M1)
B1086750	FAN BLADE, 22", 3 BLADE,24 DEG (M2, M3)
0150M00054	FAN BLADE, 26" (M6, M8)
B1086765	FAN BLADE, TYPE 3 (M4)
0131M00783	MOTOR, 1/4HP 8PL 460V (M4, M8)
0131M00022	MOTOR, 1/4HP 8PL 460V (M7)
0131M00813	MOTOR, 1/4HP, 1SP, 6PL (M2)
0131M00061	MOTOR, 1/4HP, 1SP, 8PL (M5)
0131M00807	MOTOR, 1/4HP,1SP,8PL,AL (M6)
0131M00784	MOTOR, 1/6HP 8PL 460V (M1)
0131M00954	MOTOR, OD, PSC, 1/4HP (M3)

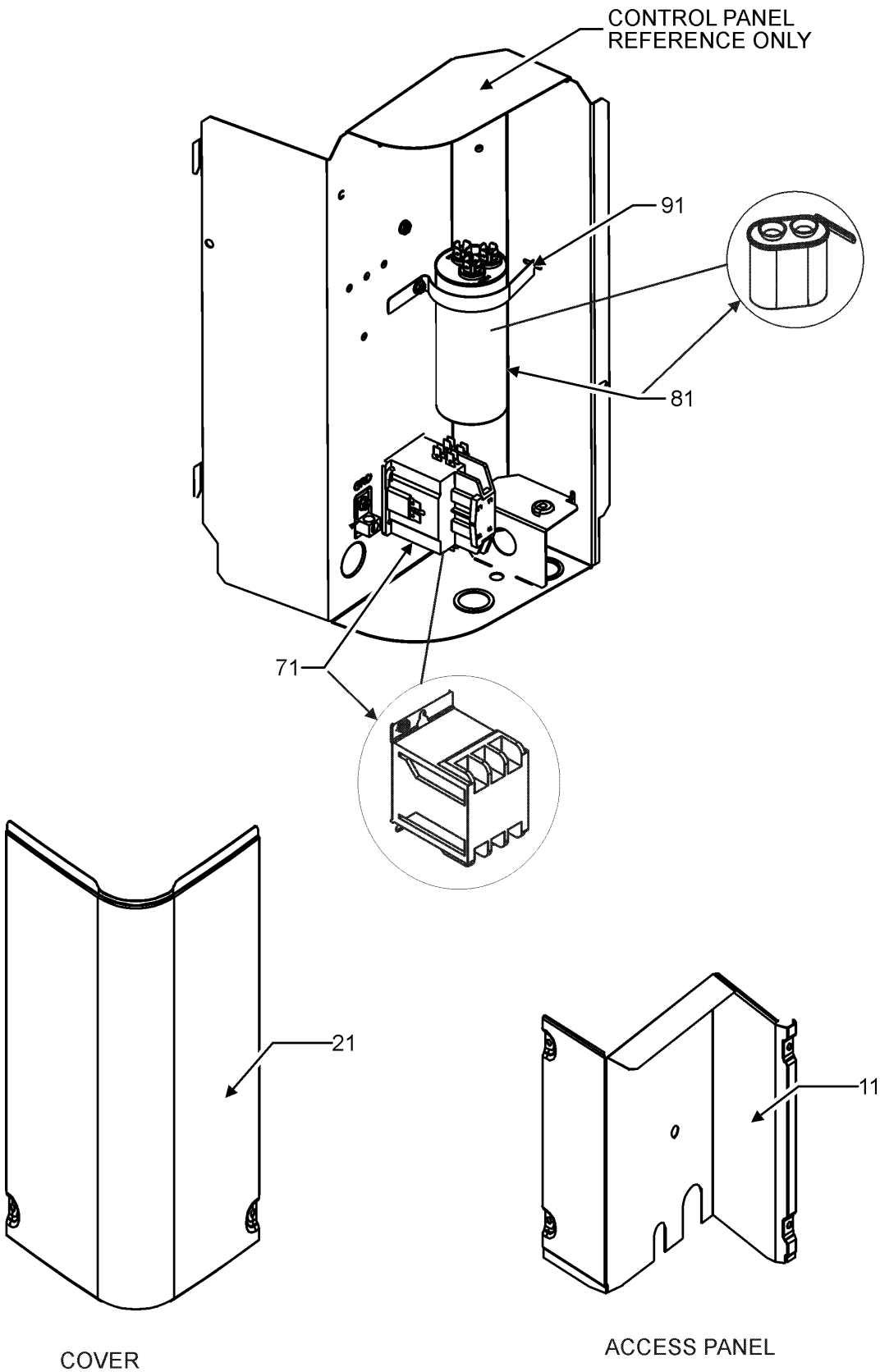
SPECIAL PARTS

0161R00093 NAMEPLATE, DAIKIN

Expanded Model Nomenclature

M1 - DX13SA0364AB
M2 - DX13SA0483AD
M3 - DX13SA0483AF
M4 - DX13SA0484AD
M5 - DX13SA0603AC
M6 - DX13SA0603AD
M7 - DX13SA0604AD
M8 - DX13SA0604AE

Control Cover and Control Box Assembly



Control Cover and Control Box Assembly

Ref. Part No:	Ref. Part No:
No:	No:
Description:	Description:

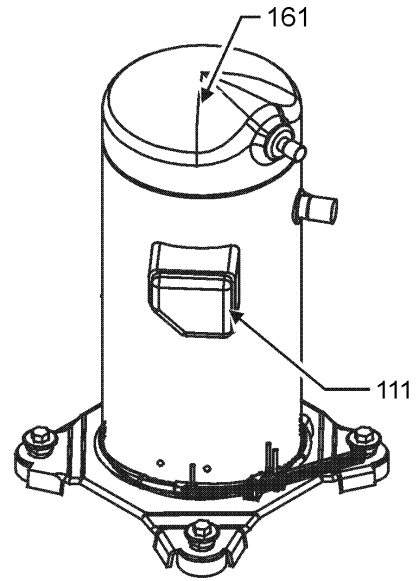
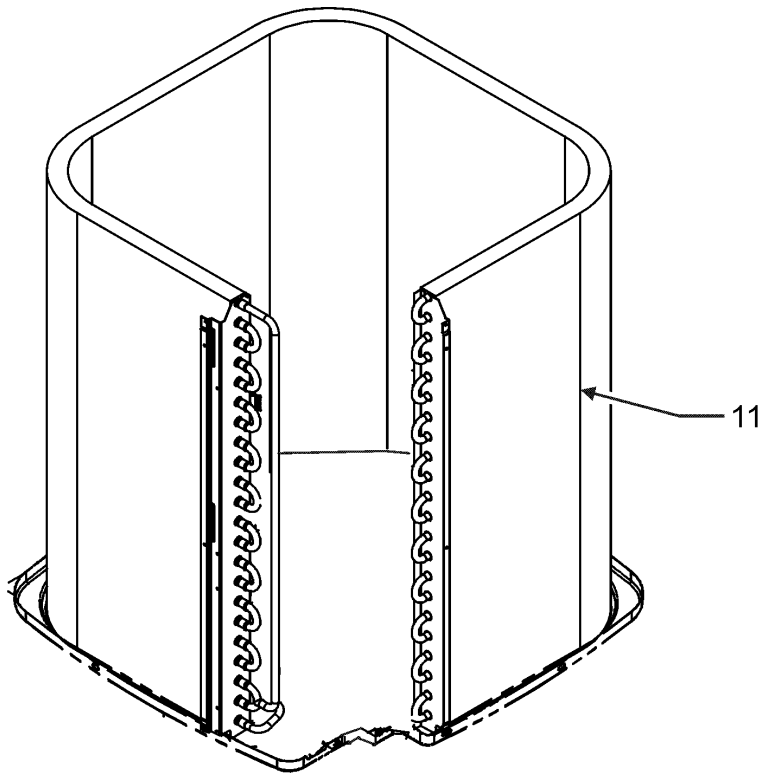
Image 1:

11	0121R00319PNG	PANEL, LOWER ACCESS PNT (M2, M3, M4, M5, M6, M7, M8)
11	0121R00325PNG	PANEL, LOWER ACCESS PNT (M1)
21	0121R00053PNG	CONTROL COVER
71	CONT3P025024V	CONTACTOR 25 AMP, 3P, 24V
81	CAP050000370LA	CAPACITOR 5/370V
91	4400065	CAPACITOR STRAP
NS	0161R00093	NAMEPLATE, DAIKIN

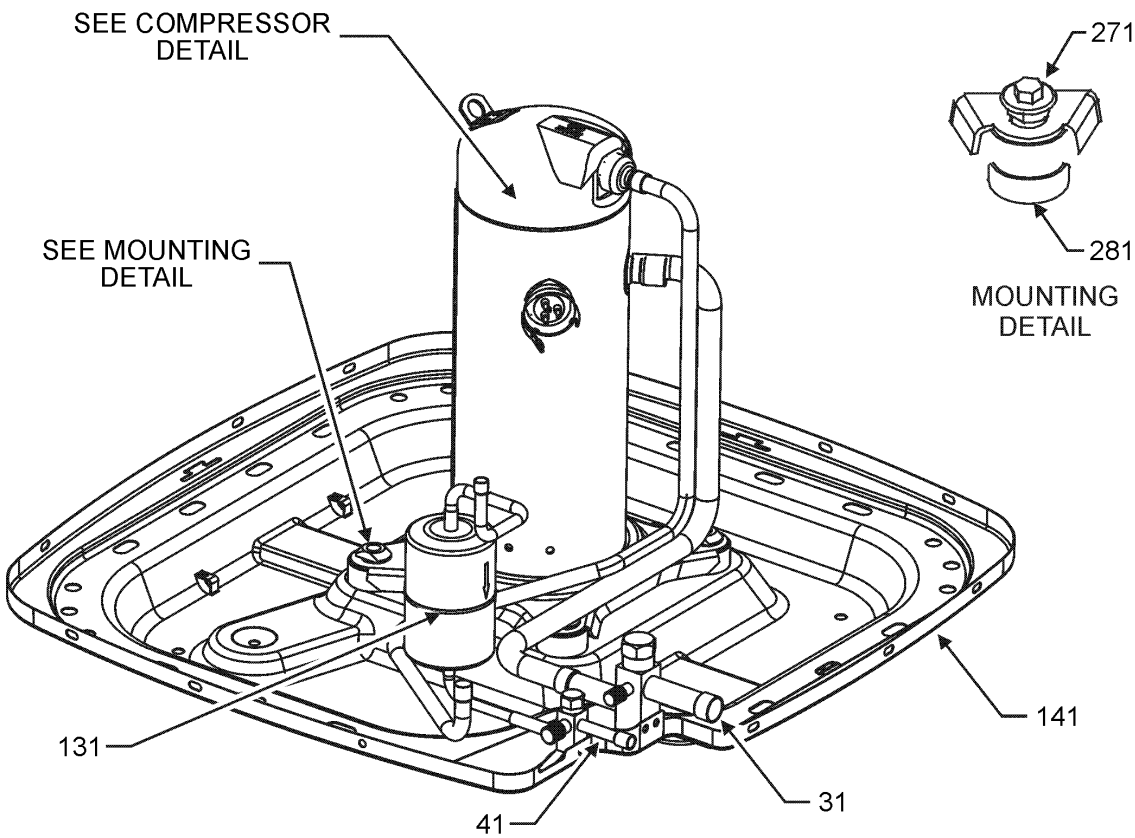
Expanded Model Nomenclature

- M1 - DX13SA0364AB
- M2 - DX13SA0483AD
- M3 - DX13SA0483AF
- M4 - DX13SA0484AD
- M5 - DX13SA0603AC
- M6 - DX13SA0603AD
- M7 - DX13SA0604AD
- M8 - DX13SA0604AE

Compressor and Tubing Assembly



COMPRESSOR
DETAIL



MOUNTING
DETAIL

Compressor and Tubing Assembly

Ref. Part No:	Ref. Part No:	Description:	Description:
---------------	---------------	--------------	--------------

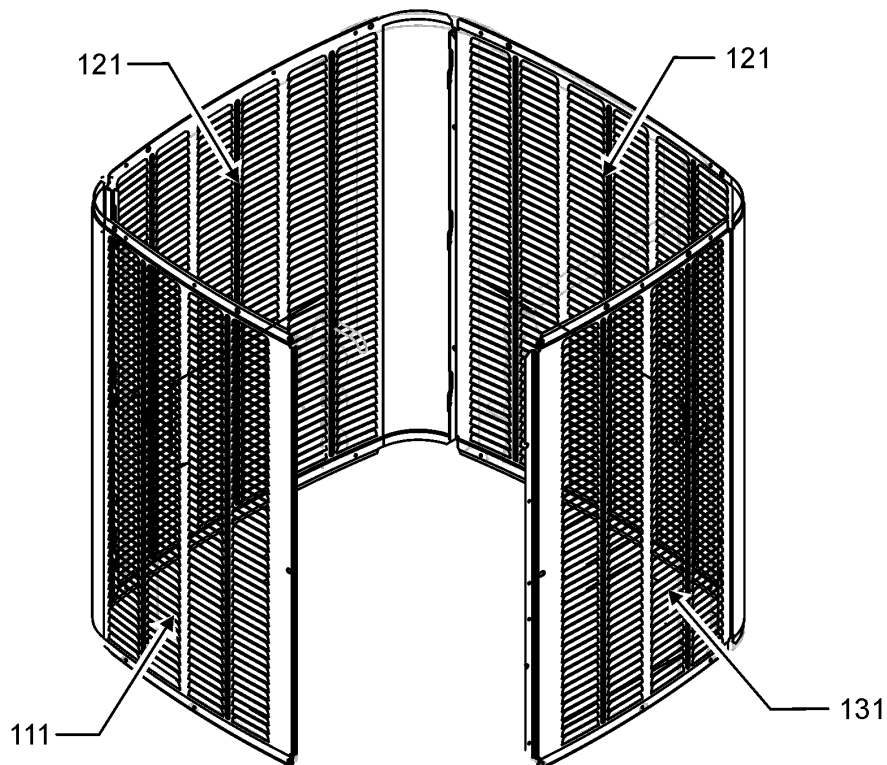
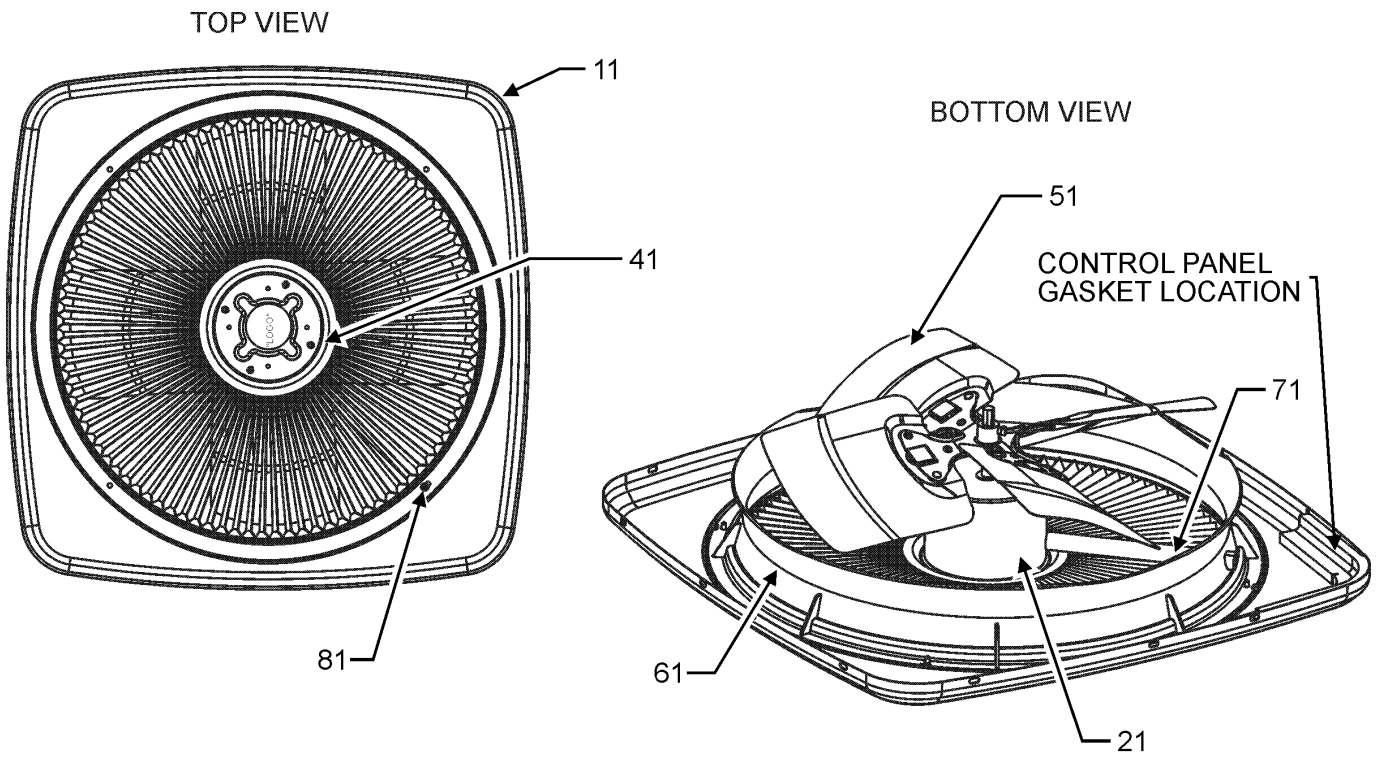
Image 1:

11	0201R00336	COIL TUBING ASSY (M2, M3, M4)
11	0201R00385	COIL TUBING ASSY (M5, M6, M7, M8)
11	0201R00464	COIL TUBING ASSY (M1)
31	0151R00079	BASE VALVE 3/4" (M1)
31	0151R00080	BASE VALVE 7/8" (M2, M3, M4, M5, M6, M7, M8)
41	0151R00167	BASE VALVE 3/8"
111	0159R00008	COMPRESSOR SCROLL HARNESS (M1)
111	0159R00009	COMPRESSOR SCROLL HARNESS (M2, M3, M4, M5, M6, M7, M8)
131	0162R00009	FILTER DRIER
141	0121R00006PNG	BASE PAN 29" (M1, M2, M3, M4)
141	0121R00007PNG	BASE PAN, 35.5" PNT (M5, M6, M7, M8)
161	ZP31K5ETFD130	COMPRESSOR 31200, 460/60/3 (M1)
161	ZP39K5ETF5130	COMPRESSOR 39000, 200/230/60/3 (M2, M3)
161	ZP39K5ETFD130	COMPRESSOR 39000, 460/60/3 (M4)
161	ZP51K5ETF5130	COMPRESSOR 51000, 208/230/60/3 (M5, M6)
161	ZP51K5ETFD130	COMPRESSOR 51000, 460/60/3 (M7, M8)
271	M0221641	TF SHOULDER SCREW (QTY 4)
281	B1339533	COMPRESSOR GROMMET (QTY 4)
NS	B1789886	FLOW CHECK PISTON KIT (M5, M6, M7, M8)
NS	B1789870	FLOW CHECK PISTON KIT .070 (M1)
NS	B1789880	FLOW CHECK PISTON KIT .080 (M2, M3, M4)

Expanded Model Nomenclature

- | |
|-------------------|
| M1 - DX13SA0364AB |
| M2 - DX13SA0483AD |
| M3 - DX13SA0483AF |
| M4 - DX13SA0484AD |
| M5 - DX13SA0603AC |
| M6 - DX13SA0603AD |
| M7 - DX13SA0604AD |
| M8 - DX13SA0604AE |

Cabinet Top and Side Panel Assembly



Cabinet Top and Side Panel Assembly

Ref. Part No: No:	Description:	Ref. Part No: No:	Description:
-------------------	--------------	-------------------	--------------

Image 1:

11	0121R00010PNG	TOP PANEL, 29" PNT (M1, M2, M3, M4)
11	0121R00269PNG	Top Panel, 35" Pnt (M5, M6, M7, M8)
21	0131M00022	MOTOR, 1/4HP 8PL 460V (M7)
21	0131M00783	MOTOR, 1/4HP 8PL 460V (M4, M8)
21	0131M00813	MOTOR, 1/4HP, 1SP, 6PL (M2)
21	0131M00061	MOTOR, 1/4HP, 1SP, 8PL (M5)
21	0131M00807	MOTOR, 1/4HP, 1SP, 8PL, AL (M6)
21	0131M00784	MOTOR, 1/6HP 8PL 460V (M1)
21	0131M00954	MOTOR, OD, PSC, 1/4HP (M3)
41	0163M00006P	ACORN NUT 5/16 HEX BLACK (QTY 4)
51	10625738	BLADE-FAN 26" ALUM CCW (M5, M7)
51	0150M00008	FAN BLADE, 22" TNT2203-25 (M1)
51	B1086750	FAN BLADE, 22", 3 BLADE, 24 DEG (M2, M3)
51	0150M00054	FAN BLADE, 26" (M6, M8)
51	B1086765	FAN BLADE, TYPE 3 (M4)
61	0161L00000	VENTURI RING 22" (M1, M2, M3, M4)
61	0161R00007P	VENTURI RING 35" (M5, M6, M7, M8)
71	0161R00002P	CONDUIT (M1, M2, M3, M4)
71	0161R00004P	CONDUIT (M5, M6, M7, M8)
81	0163M00004	SCREW #10 X3/4", BLK (QTY 4)
111	0121R00202PNG	LOUVERED SIDE PNL [LT OF CNTL PNL] (M2, M3, M4)
111	0121R00209PNG	LOUVERED SIDE PNL [LT OF CNTL PNL] (M1)
111	0121R00239PNG	PANEL 1, BENT LOUVER PNT (M5, M6, M7, M8)
121	0121R00205PNG	LOUVERED SIDE PNL (M2, M3, M4)
121	0121R00210PNG	LOUVERED SIDE PNL (M1)
121	0121R00243PNG	Panel 2, Bent Louver (M5, M6, M7, M8)
131	0121R00194PNG	LOUVERED SIDE PNL [RT OF CNTL PNL] (M2, M3, M4)
131	0121R00211PNG	LOUVERED SIDE PNL [RT OF CNTL PNL] (M1)
131	0121R00247PNG	PANEL 3, LOUVER 35, 5MM, PNT (M5, M6, M7, M8)
NS	0154R00006	GASKET, CONTROL PANEL
NS	0163M00005P	WASHER, BLACK (.50 OD .218ID) (QTY 4)

Expanded Model Nomenclature

- | |
|-------------------|
| M1 - DX13SA0364AB |
| M2 - DX13SA0483AD |
| M3 - DX13SA0483AF |
| M4 - DX13SA0484AD |
| M5 - DX13SA0603AC |
| M6 - DX13SA0603AD |
| M7 - DX13SA0604AD |
| M8 - DX13SA0604AE |