

BL/PK — Y
BL — C

SEE NOTE 1
SEE NOTE 3

COLOR CODE

BK ----- BLACK
BL ----- BLUE
BL/PK ----- BLUE/PINK STRIPE
BR ----- BROWN
OR ----- ORANGE
PU ----- PURPLE
RD ----- RED
WH ----- WHITE
YL ----- YELLOW

WIRING CODE

FACTORY WIRING

HIGH VOLTAGE —————
LOW VOLTAGE —————
OPTIONAL HIGH VOLTAGE ————

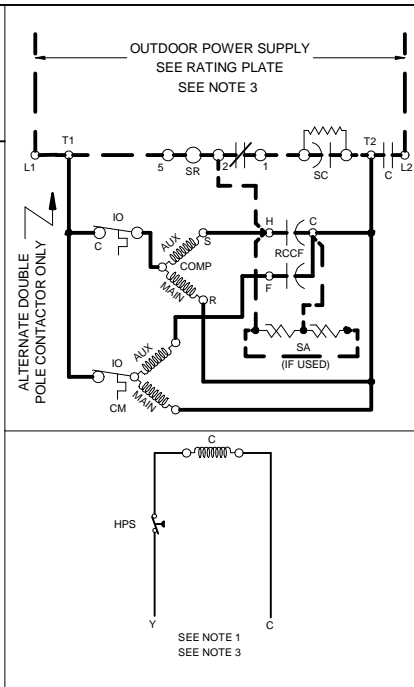
FIELD WIRING

HIGH VOLTAGE - - - - -
LOW VOLTAGE - - - - -

COMPONENT CODE

C ----- CONTACTOR
CM ----- OUTDOOR FAN MOTOR
COMP ----- COMPRESSOR
HPS ----- HIGH PRESSURE SWITCH
IO ----- INTERNAL OVERLOAD
LVJB ----- LOW VOLTAGE JUNCTION BOX
RCCF ----- RUN CAPACITOR FOR COMPRESSOR & FAN
SA ----- START ASSIST
SC ----- START CAPACITOR FOR COMPRESSOR (OPTIONAL)
SR ----- START RELAY FOR COMPRESSOR (OPTIONAL)

CONTROLS SHOWN WITH THERMOSTAT IN 'OFF' POSITION.



NOTES:

- 1) TO INDOOR UNIT LOW VOLTAGE TERMINAL BLOCK AND INDOOR THERMOSTAT. USE N.E.C. CLASS 2 WIRE.
- 2) START ASSIST FACTORY EQUIPPED WHEN REQUIRED.
- 3) USE COPPER CONDUCTORS ONLY.



0140R00603-A