

FTK/FTX** AXVJU Indoor Unit

FTK09AXVJU

FTK12AXVJU

FTK18AXVJU

FTK24AXVJU

FTX09AXVJU

FTX12AXVJU

FTX18AXVJU

FTX24AXVJU

This manual is to be used by qualified technicians only.

Important Information

Index

| | |
|------------------------------|--------|
| Functional Parts List | 3 |
| Illustration and Parts | 4 - 11 |

Views shown are for parts illustrations only, not servicing procedures

Text Codes:

AR - As Required

NA - Not Available

NS - Not Shown

00000000 - See Note

QTY - Quantity Example (QTY 3) (If Quantity not shown, Quantity = 1)

M - Model Example (M1) (If M Code not shown, then part is used on all Models)

Expanded Model Nomenclature:

| |
|---|
| Example M1 - Model#1 M2 - Model#2 M3 - Model#3 |
|---|

Daikin Manufacturing Company, L.P. is not responsible for personal injury or property damage resulting from improper service. Review all service information before beginning repairs.

Warranty service must be performed by an authorized technician, using authorized factory parts. If service is required after the warranty expires, Daikin Manufacturing Company, L.P. also recommends contacting an authorized technician and using authorized factory parts.

Daikin Manufacturing Company, L.P. reserves the right to discontinue, or change at any time, specifications or designs without notice or without incurring obligations.

For assistance within the U.S.A. contact:

Homeowner Support
Daikin North America, LLC
19001 Kermier Road
Waller, Texas 77484
855-770-5678-Telephone
713-863-2382-Facsimile

For assistance outside the U.S.A. contact:

International Division
Daikin North America, LLC
19001 Kermier Road
Waller, Texas 77484
713-861-2500-Telephone
713-863-2382-Facsimile

Functional Parts

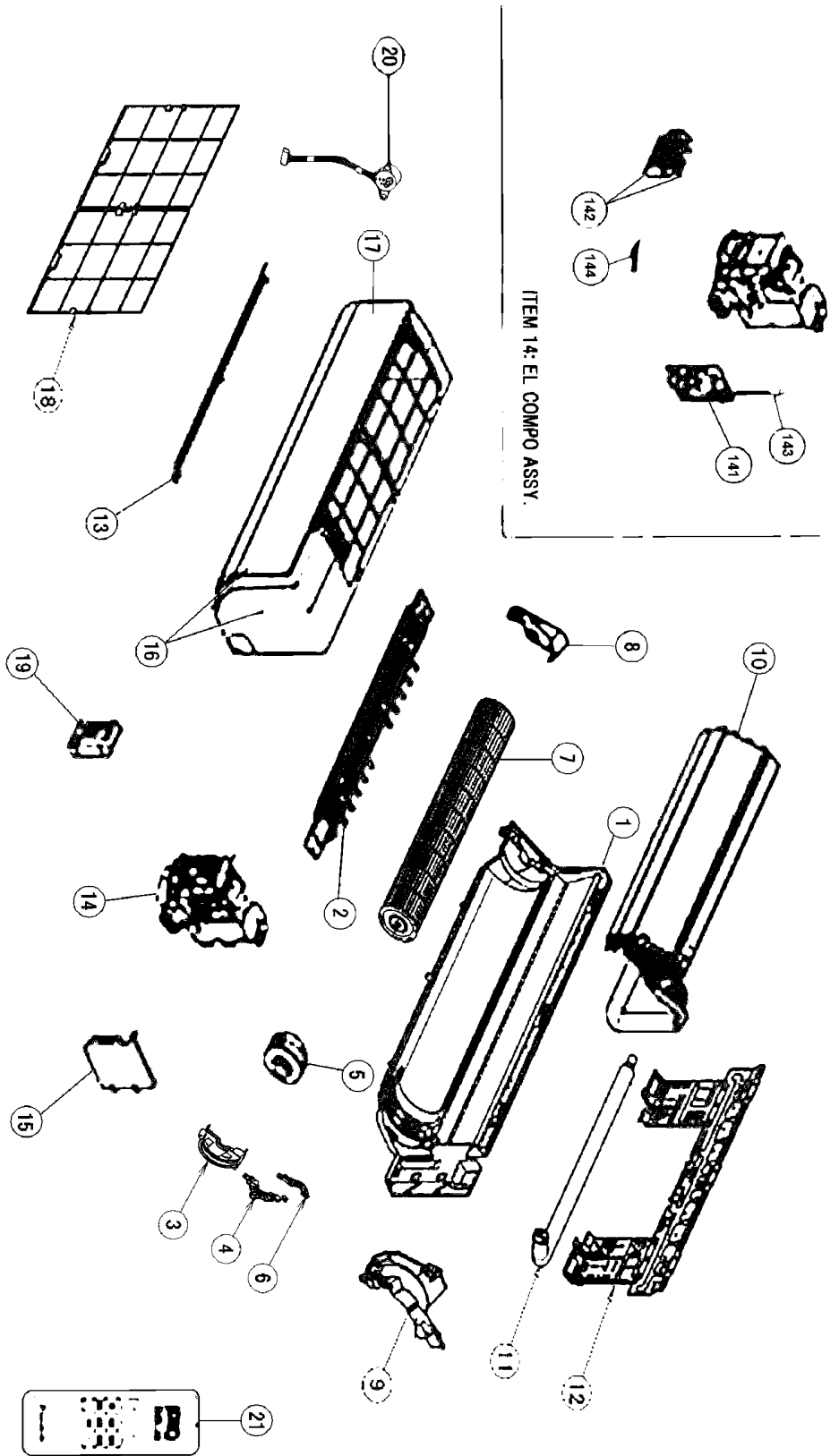
Part

No: Description:

| | |
|---------|---|
| 4023393 | AIR AWING MOTOR (M3, M4, M7, M8) |
| 4023374 | AIR SWONG MOTOR (M1, M2, M5, M6) |
| 4026858 | CONTROL BOX ASSY. (M6) |
| 4026857 | CONTROL BOX ASSY. (M5) |
| 4026852 | CONTROL BOX ASSY. (M2) |
| 4026851 | CONTROL BOX ASSY. (M1) |
| 4026838 | CONTROL BOX ASSY. (M3, M7) |
| 4026839 | CONTROL BOX ASSY. (M4, M8) |
| 4026848 | FAN MOTOR (M1, M2, M5, M6) |
| 4026835 | FAN MOTOR (M3, M4, M7, M8) |
| 4026850 | HEAT EXCHANGER (M1, M5) |
| 4026849 | HEAT EXCHANGER (M2, M6) |
| 4026836 | HEAT EXCHANGER (M3, M7) |
| 4026837 | HEAT EXCHANGER (M4, M8) |
| 4026843 | ID COIL SENSOR |
| 4023369 | IR RECEIVER BOARD |
| 4026840 | PRINTED CIRCUIT BOARD ASSY. (IVN. DC) (M3, M7) |
| 4026860 | PRINTED CIRCUIT BOARD ASSY. (IVN. DC) (M6) |
| 4026853 | PRINTED CIRCUIT BOARD ASSY. (IVN. DC) (M1) |
| 4026854 | PRINTED CIRCUIT BOARD ASSY. (IVN. DC) (M2) |
| 4026859 | PRINTED CIRCUIT BOARD ASSY. (IVN. DC) (M5) |
| 4026841 | PRINTED CIRCUIT BOARD ASSY. (IVN. DC) (M4, M8) |

Expanded Model Nomenclature

| |
|-----------------|
| M1 - FTK09AXVJU |
| M2 - FTK12AXVJU |
| M3 - FTK18AXVJU |
| M4 - FTK24AXVJU |
| M5 - FTX09AXVJU |
| M6 - FTX12AXVJU |
| M7 - FTX18AXVJU |
| M8 - FTX24AXVJU |



FTK09AXVJU and FTK12AXVJU

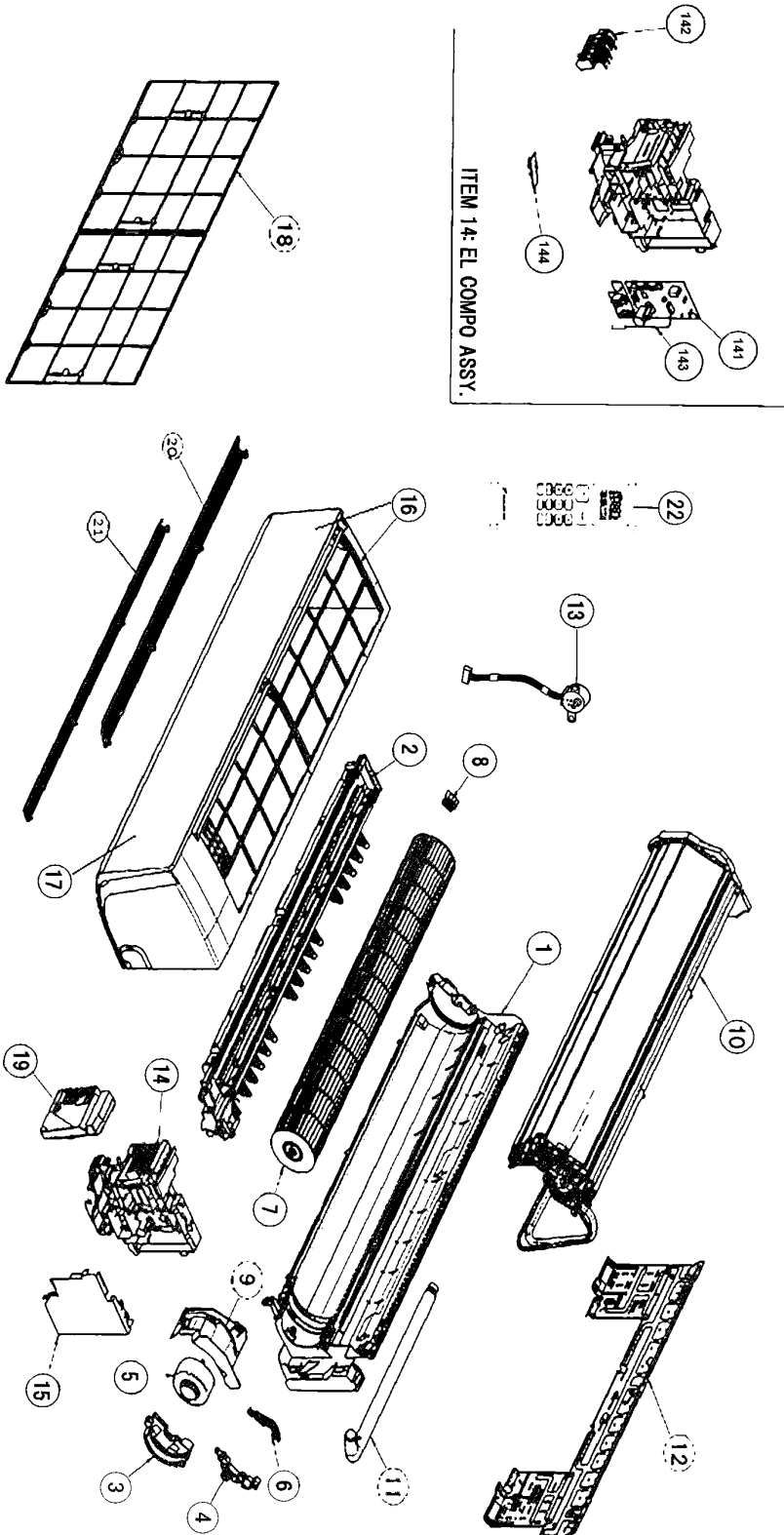
| Ref. Part No: | No: | Description: | Ref. Part No: | No: | Description: |
|-----------------|---------|--|---------------|-----|--------------|
| Image 1: | | | | | |
| 1 | 4023827 | BOTTOM FRAME ASSY. (M1, M2) | | | |
| 2 | 4026847 | DRAIN PAN ASSY. (M1, M2) | | | |
| 3 | 4023892 | MOTOR MOUNTING PLATE 1 (M1, M2) | | | |
| 4 | 4023893 | MOTOR MOUNTING PLATE 2 (M1, M2) | | | |
| 5 | 4026848 | FAN MOTOR (M1, M2) | | | |
| 6 | 4023894 | MOTOR MOUNTING PLATE 3 (M1, M2) | | | |
| 7 | 4025980 | CROSS FLOW FAN ASSY. (M1, M2) | | | |
| 8 | 4023895 | FAN BEARING VIBRATION ABSORBER (M1, M2) | | | |
| 9 | 4023896 | SIDE PANEL (RIGHT) (M1, M2) | | | |
| 10 | 4026849 | HEAT EXCHANGER (M2) | | | |
| 10 | 4026850 | HEAT EXCHANGER (M1) | | | |
| 11 | 4023897 | DRAIN HOSE ASSY. (M1, M2) | | | |
| 12 | 4023898 | INSTALLATION PLATE ASSY. (M1, M2) | | | |
| 13 | 4023380 | LOUVER ASSY. (M1, M2) | | | |
| 14 | 4026851 | CONTROL BOX ASSY. (M1) | | | |
| 14 | 4026852 | CONTROL BOX ASSY. (M2) | | | |
| 15 | 4023900 | SHILED PLATE (2) (M1, M2) | | | |
| 16 | 4023988 | FRONT GRILLE ASSY. (M1, M2) | | | |
| 17 | 4026856 | FRONT PANEL (M1, M2) | | | |
| 18 | 4023376 | AIR FILTER (M1, M2) | | | |
| 19 | 4026846 | SERVICE COVER ASSY. (M1, M2) | | | |
| 20 | 4023374 | AIR SWONG MOTOR (M1, M2) | | | |
| 21 | 4020639 | HANDSET WIRELESS (M1, M2) | | | |
| 141 | 4026853 | PRINTED CIRCUIT BOARD ASSY. (1VN. DC) (M1) | | | |
| 141 | 4026854 | PRINTED CIRCUIT BOARD ASSY. (1VN. DC) (M2) | | | |
| 142 | 4026855 | WIRE HARNESS ASSY. (M1, M2) | | | |
| 143 | 4026843 | ID COIL SENSOR (M1, M2) | | | |
| 144 | 4023369 | IR RECEIVER BOARD (M1, M2) | | | |

Expanded Model Nomenclature

| |
|-----------------|
| M1 - FTK09AXVJU |
| M2 - FTK12AXVJU |
| M3 - FTK18AXVJU |
| M4 - FTK24AXVJU |
| M5 - FTX09AXVJU |
| M6 - FTX12AXVJU |
| M7 - FTX18AXVJU |
| M8 - FTX24AXVJU |

FTK18AXVJU and FTK24AXVJU

FTK18AXVJU / FTK24AXVJU



FTK18AXVJU and FTK24AXVJU

| Ref. Part No: | Ref. Part No: | Description: | Description: |
|---------------|---------------|--------------|--------------|
|---------------|---------------|--------------|--------------|

Image 1:

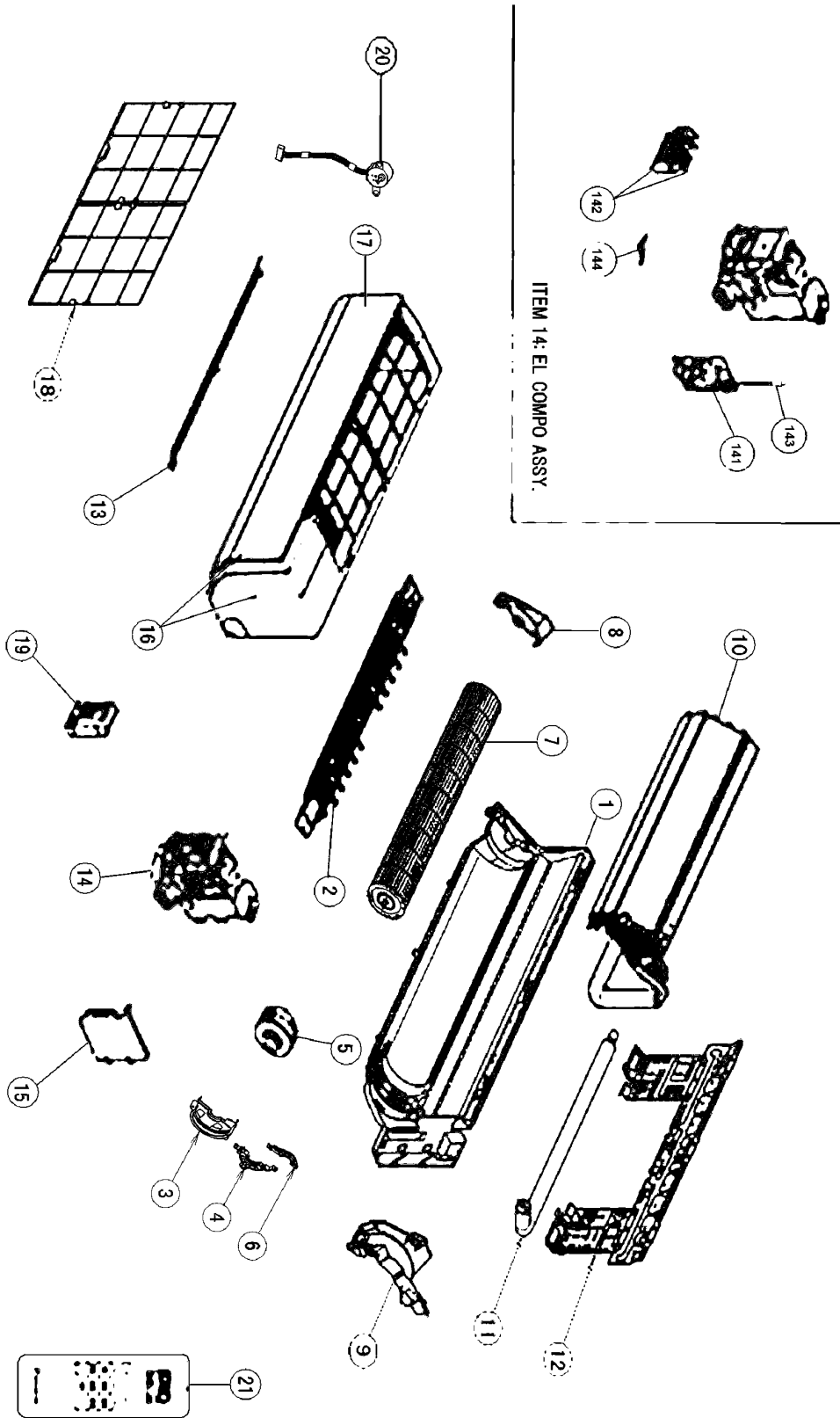
| | | |
|-----|---------|--|
| 1 | 4026832 | BOTTOM FRAME ASSY. (M3, M4) |
| 2 | 4026833 | DRAIN PAN ASSY. (M3, M4) |
| 3 | 4023901 | MOTOR MOUNTING PLATE 1 (M3, M4) |
| 4 | 4023893 | MOTOR MOUNTING PLATE 2 (M3, M4) |
| 5 | 4026835 | FAN MOTOR (M3, M4) |
| 6 | 4023894 | MOTOR MOUNTING PLATE 3 (M3, M4) |
| 7 | 4025981 | CROSS FLOW FAN ASSY. (M3, M4) |
| 8 | 4023895 | FAN BEARING VIBRATION ABSORBER (M3, M4) |
| 9 | 4023903 | SIDE PANEL (RIGHT) (M3, M4) |
| 10 | 4026836 | HEAT EXCHANGER (M3) |
| 10 | 4026837 | HEAT EXCHANGER (M4) |
| 11 | 4023897 | DRAIN HOSE ASSY. (M3, M4) |
| 12 | 4023904 | INSTALLATION PLATE ASSY. (M3, M4) |
| 13 | 4023393 | AIR AWING MOTOR (M3, M4) |
| 14 | 4026838 | CONTROL BOX ASSY. (M3) |
| 14 | 4026839 | CONTROL BOX ASSY. (M4) |
| 15 | 4023906 | SHILED PLATE (2) (M3, M4) |
| 16 | 4026844 | FRONT GRILLE ASSY. (M3, M4) |
| 17 | 4026845 | FRONT PANEL (M3, M4) |
| 18 | 4023394 | AIR FILTER (M3, M4) |
| 19 | 4026846 | SERVICE COVER ASSY. (M3, M4) |
| 20 | 4023398 | LOUVER ASSY. 1 (WIDER) (M3, M4) |
| 21 | 4023399 | LOUVER ASSY. 2 (M3, M4) |
| 22 | 4020640 | HANDSET WIRELESS (M3, M4) |
| 141 | 4026840 | PRINTED CIRCUIT BOARD ASSY. (IVN. DC) (M3) |
| 141 | 4026841 | PRINTED CIRCUIT BOARD ASSY. (IVN. DC) (M4) |
| 142 | 4026855 | WIRE HARNESS ASSY. (M3, M4) |
| 143 | 4026843 | ID COIL SENSOR (M3, M4) |
| 144 | 4023369 | IR RECEIVER BOARD (M3, M4) |

Expanded Model Nomenclature

- | |
|-----------------|
| M1 - FTK09AXVJU |
| M2 - FTK12AXVJU |
| M3 - FTK18AXVJU |
| M4 - FTK24AXVJU |
| M5 - FTX09AXVJU |
| M6 - FTX12AXVJU |
| M7 - FTX18AXVJU |
| M8 - FTX24AXVJU |

FTX09AXVJU and FTX12AXVJU

FTX09AXVJU / FTX12AXVJU



FTX09AXVJU and FTX12AXVJU

| Ref. Part No: | Part No: | Description: | Ref. Part No: | Part No: | Description: |
|---------------|----------|--------------|---------------|----------|--------------|
|---------------|----------|--------------|---------------|----------|--------------|

Image 1:

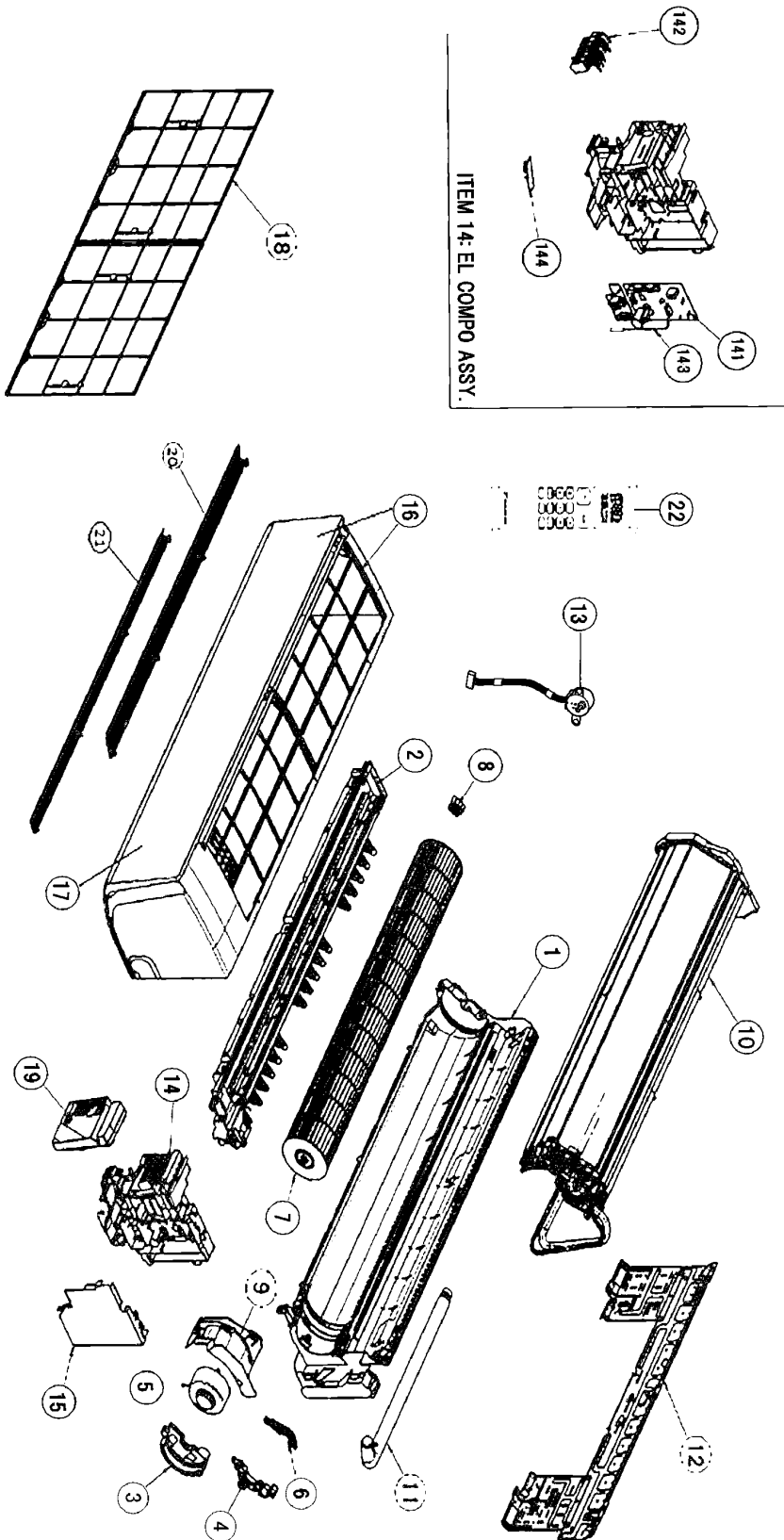
| | | |
|-----|---------|--|
| 1 | 4023827 | BOTTOM FRAME ASSY. (M5, M6) |
| 2 | 4026847 | DRAIN PAN ASSY. (M5, M6) |
| 3 | 4023892 | MOTOR MOUNTING PLATE 1 (M5, M6) |
| 4 | 4023893 | MOTOR MOUNTING PLATE 2 (M5, M6) |
| 5 | 4026848 | FAN MOTOR (M5, M6) |
| 6 | 4023894 | MOTOR MOUNTING PLATE 3 (M5, M6) |
| 7 | 4025980 | CROSS FLOW FAN ASSY. (M5, M6) |
| 8 | 4023895 | FAN BEARING VIBRATION ABSORBER (M5, M6) |
| 9 | 4023896 | SIDE PANEL (RIGHT) (M5, M6) |
| 10 | 4026849 | HEAT EXCHANGER (M6) |
| 10 | 4026850 | HEAT EXCHANGER (M5) |
| 11 | 4023897 | DRAIN HOSE ASSY. (M5, M6) |
| 12 | 4023898 | INSTALLATION PLATE ASSY. (M5, M6) |
| 13 | 4023380 | LOUVER ASSY. (M5, M6) |
| 14 | 4026857 | CONTROL BOX ASSY. (M5) |
| 14 | 4026858 | CONTROL BOX ASSY. (M6) |
| 15 | 4023900 | SHILED PLATE (2) (M5, M6) |
| 16 | 4023988 | FRONT GRILLE ASSY. (M5, M6) |
| 17 | 4026856 | FRONT PANEL (M5, M6) |
| 18 | 4023376 | AIR FILTER (M5, M6) |
| 19 | 4026846 | SERVICE COVER ASSY. (M5, M6) |
| 20 | 4023374 | AIR SWONG MOTOR (M5, M6) |
| 21 | 4020640 | HANDSET WIRELESS (M5, M6) |
| 141 | 4026859 | PRINTED CIRCUIT BOARD ASSY. (IVN. DC) (M5) |
| 141 | 4026860 | PRINTED CIRCUIT BOARD ASSY. (IVN. DC) (M6) |
| 142 | 4026855 | WIRE HARNESS ASSY. (M5, M6) |
| 143 | 4026843 | ID COIL SENSOR (M5, M6) |
| 144 | 4023369 | IR RECEIVER BOARD (M5, M6) |

Expanded Model Nomenclature

- | |
|-----------------|
| M1 - FTK09AXVJU |
| M2 - FTK12AXVJU |
| M3 - FTK18AXVJU |
| M4 - FTK24AXVJU |
| M5 - FTX09AXVJU |
| M6 - FTX12AXVJU |
| M7 - FTX18AXVJU |
| M8 - FTX24AXVJU |

FTX18AXVJU and FTX24AXVJU

FTX18AXVJU / FTX24AXVJU



FTX18AXVJU and FTX24AXVJU

| Ref. Part No: | Part No: | Description: | Ref. Part No: | Part No: | Description: |
|---------------|----------|--------------|---------------|----------|--------------|
|---------------|----------|--------------|---------------|----------|--------------|

Image 1:

| | | |
|-----|---------|--|
| 1 | 4026832 | BOTTOM FRAME ASSY. (M7, M8) |
| 2 | 4026833 | DRAIN PAN ASSY. (M7, M8) |
| 3 | 4026834 | MOTOR MOUNTING PLATE 1 (M7, M8) |
| 4 | 4023893 | MOTOR MOUNTING PLATE 2 (M7, M8) |
| 5 | 4026835 | FAN MOTOR (M7, M8) |
| 6 | 4023894 | MOTOR MOUNTING PLATE 3 (M7, M8) |
| 7 | 4025981 | CROSS FLOW FAN ASSY. (M7, M8) |
| 8 | 4023895 | FAN BEARING VIBRATION ABSORBER (M7, M8) |
| 9 | 4023903 | SIDE PANEL (RIGHT) (M7, M8) |
| 10 | 4026836 | HEAT EXCHANGER (M7) |
| 10 | 4026837 | HEAT EXCHANGER (M8) |
| 11 | 4023897 | DRAIN HOSE ASSY. (M7, M8) |
| 12 | 4023904 | INSTALLATION PLATE ASSY. (M7, M8) |
| 13 | 4023393 | AIR AWING MOTOR (M7, M8) |
| 14 | 4026838 | CONTROL BOX ASSY. (M7) |
| 14 | 4026839 | CONTROL BOX ASSY. (M8) |
| 15 | 4023906 | SHILED PLATE (2) (M7, M8) |
| 16 | 4026844 | FRONT GRILLE ASSY. (M7, M8) |
| 17 | 4026845 | FRONT PANEL (M7, M8) |
| 18 | 4023394 | AIR FILTER (M7, M8) |
| 19 | 4026846 | SERVICE COVER ASSY. (M7, M8) |
| 20 | 4023398 | LOUVER ASSY. 1 (WIDER) (M7, M8) |
| 21 | 4023399 | LOUVER ASSY. 2 (M7, M8) |
| 22 | 4020640 | HANDSET WIRELESS (M7, M8) |
| 141 | 4026840 | PRINTED CIRCUIT BOARD ASSY. (IVN. DC) (M7) |
| 141 | 4026841 | PRINTED CIRCUIT BOARD ASSY. (IVN. DC) (M8) |
| 142 | 4026842 | WIRE HARNESS ASSY. (M7, M8) |
| 143 | 4026843 | ID COIL SENSOR (M7, M8) |
| 144 | 4023369 | IR RECEIVER BOARD (M7, M8) |

Expanded Model Nomenclature

- | |
|-----------------|
| M1 - FTK09AXVJU |
| M2 - FTK12AXVJU |
| M3 - FTK18AXVJU |
| M4 - FTK24AXVJU |
| M5 - FTX09AXVJU |
| M6 - FTX12AXVJU |
| M7 - FTX18AXVJU |
| M8 - FTX24AXVJU |