

RX/RK**AXVJU Outdoor Unit

RK09AXVJU

RK12AXVJU

RK18AXVJU

RK24AXVJU

RX09AXVJU

RX12AXVJU

RX18AXVJU

RX24AXVJU

This manual is to be used by qualified technicians only.

Important Information

Index

Functional Parts List	3
Illustration and Parts	4 - 11

Views shown are for parts illustrations only, not servicing procedures

Text Codes:

AR - As Required

NA - Not Available

NS - Not Shown

00000000 - See Note

QTY - Quantity Example (QTY 3) (If Quantity not shown, Quantity = 1)

M - Model Example (M1) (If M Code not shown, then part is used on all Models)

Expanded Model Nomenclature:

Example M1 - Model#1 M2 - Model#2 M3 - Model#3

Daikin Manufacturing Company, L.P. is not responsible for personal injury or property damage resulting from improper service. Review all service information before beginning repairs.

Warranty service must be performed by an authorized technician, using authorized factory parts. If service is required after the warranty expires, Daikin Manufacturing Company, L.P. also recommends contacting an authorized technician and using authorized factory parts.

Daikin Manufacturing Company, L.P. reserves the right to discontinue, or change at any time, specifications or designs without notice or without incurring obligations.

For assistance within the U.S.A. contact:

Homeowner Support
Daikin North America, LLC
19001 Kermier Road
Waller, Texas 77484
855-770-5678-Telephone
713-863-2382-Facsimile

For assistance outside the U.S.A. contact:

International Division
Daikin North America, LLC
19001 Kermier Road
Waller, Texas 77484
713-861-2500-Telephone
713-863-2382-Facsimile

Functional Parts

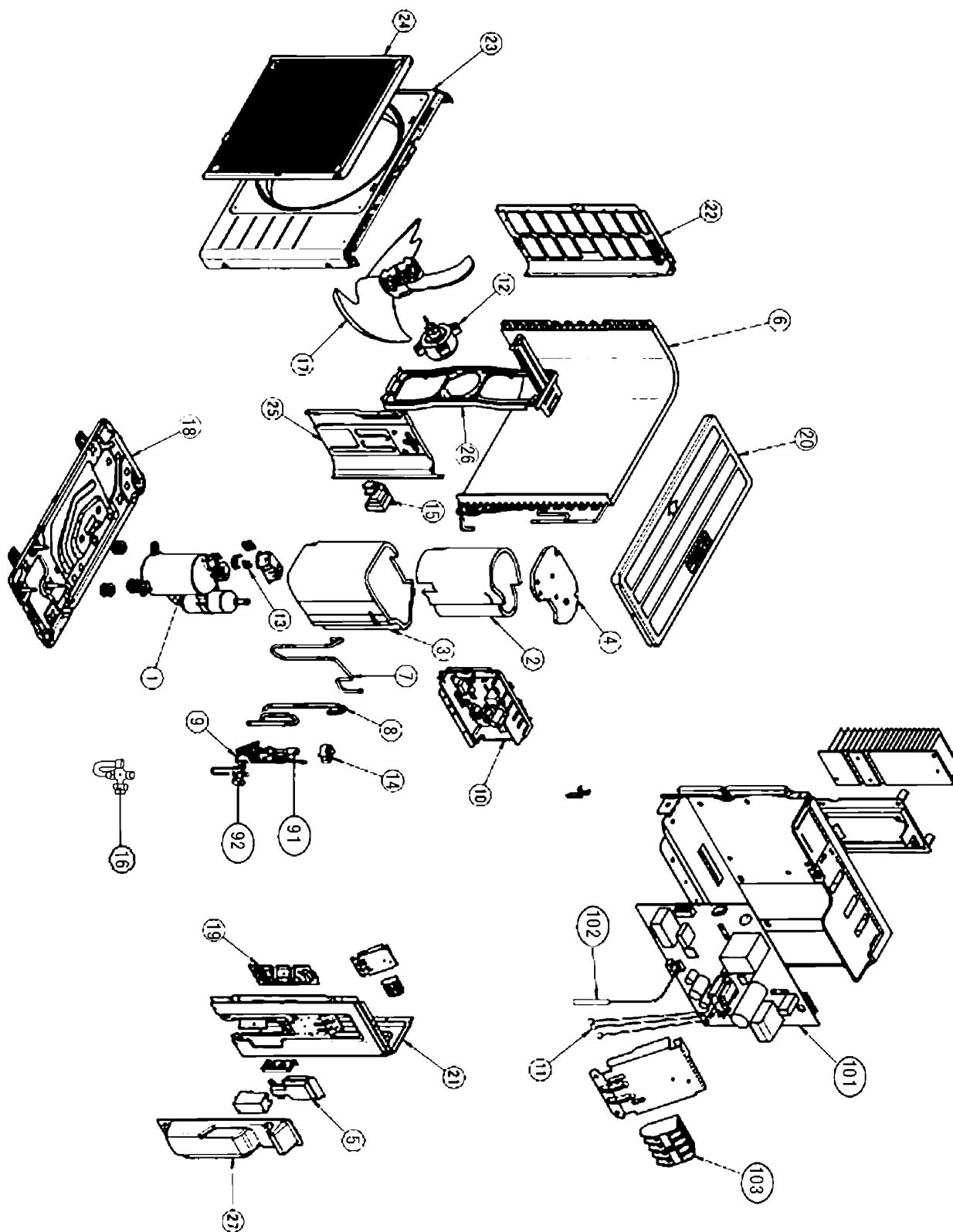
Part

No: Description:

4015889	COMPRESSOR (M1, M2, M5, M6)
4012946	COMPRESSOR ASSY. (M3, M4, M7, M8)
4027058	CONTROL BOX ASSY. (M7)
4027080	CONTROL BOX ASSY. (M4)
4027079	CONTROL BOX ASSY. (M3)
4027072	CONTROL BOX ASSY. (M2)
4027071	CONTROL BOX ASSY. (M1)
4027059	CONTROL BOX ASSY. (M8)
4027033	CONTROL BOX ASSY. (M5, M6)
4027064	FAN MOTOR (M3, M4, M7, M8)
4027035	FAN MOTOR (M1, M2, M5, M6)
4023416	GAS STOP VALVE ASSY. (M3, M7)
4027052	GAS STOP VALVE ASSY. (M4, M8)
4024008	HEAT EXCHANGER ASSY. (M3)
4027051	HEAT EXCHANGER ASSY. (M4)
NA	OUTDOOR PCB (WITH EEPROM) (M5, M6, M7, M8)
622423	OVERLOAD PROTECTOR
NA	PRINTED CIRCUIT BOARD ASSY. (M3, M4)
4022480	SOLENOID COIL (VALVE) (M1, M2)
4027063	SOLENOID COIL (VALVE) (M3, M4, M7, M8)
4027060	THERMISTOR ASSY. (M3, M4, M7, M8)
4015887	THERMISTOR ASSY. (M1, M2, M5, M6)

Expanded Model Nomenclature

M1 - RK09AXVJU
M2 - RK12AXVJU
M3 - RK18AXVJU
M4 - RK24AXVJU
M5 - RX09AXVJU
M6 - RX12AXVJU
M7 - RX18AXVJU
M8 - RX24AXVJU



RK09AXVJU and RK12AXVJU

Ref. Part No:	Part No:	Description:	Ref. Part No:	Part No:	Description:
---------------	----------	--------------	---------------	----------	--------------

Image 1:

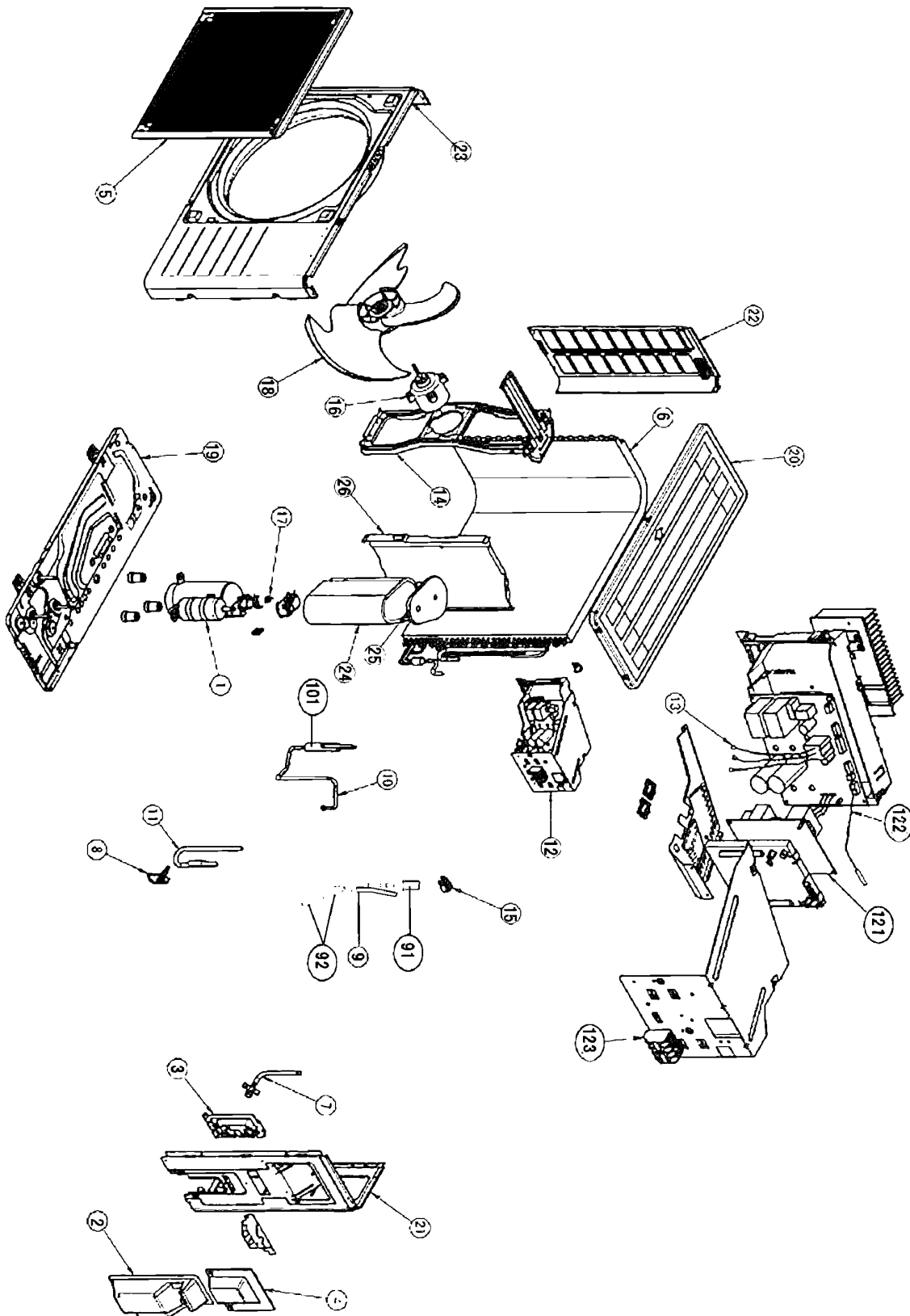
1	4015889	COMPRESSOR (M1, M2)
2	4027021	SOUND INSULATION (INNER) (M1, M2)
3	4027022	SOUND INSULATION (OUTER) (M1, M2)
4	4027068	SOUND INSULATION (TOP) (M1, M2)
5	4027036	RADIATION SHEILD PLATE (M1, M2)
6	4027024	COIL ASSY. (M1)
6	4027025	COIL ASSY. (M2)
7	4027069	DISCHARGE PIPE ASSY. (M1, M2)
8	4027070	SUCTION PIPE (M1, M2)
9	4027031	ELECTRONIC EXP. VALVE ASSY. (M1, M2)
10	4027071	CONTROL BOX ASSY. (M1)
10	4027072	CONTROL BOX ASSY. (M2)
11	4027034	WIRE HARNESS (COMPRESSOR) (M1, M2)
12	4027035	FAN MOTOR (M1, M2)
13	622423	OVERLOAD PROTECTOR (M1, M2)
14	4022480	SOLENOID COIL (VALVE) (M1, M2)
15	6023975	REACTOR (M1, M2)
16	4027029	GAS STOP VALVE ASSY. (M1, M2)
17	4027037	PROPELLER FAN (M1, M2)
18	4027038	BOTTOM FRAME ASSY. (M1, M2)
19	4027039	STOP VALVE MOUNTING PLATE (M1, M2)
20	4027040	TOP PANEL ASSY. (M1, M2)
21	4027041	RIGHT PANEL (M1, M2)
22	4027042	LEFT PANEL (M1, M2)
23	4027043	FRONT PANEL ASSY. (M1, M2)
24	4027044	DISCHARGE GRILLE (M1, M2)
25	4027045	PARTITION (M1, M2)
26	4027046	FAN MOTOR BRACKET (M1)
26	4027047	FAN MOTOR BRACKET (M2)
27	4027020	STOP VALVE COVER (M1, M2)
91	1980882	BODY/ ELECTRONIC EXP. VALVE (M1, M2)
92	4027032	LIQUID STOP VALVE ASSY. (M1, M2)
101	NA	OUTDOOR PCB (WITH EEPROM) (M1, M2)
102	4015887	THERMISTOR ASSY. (M1, M2)
103	1567203	TERMINAL BLOCK (M1, M2)

Expanded Model Nomenclature

M1 - RK09AXVJU
M2 - RK12AXVJU
M3 - RK18AXVJU
M4 - RK24AXVJU
M5 - RX09AXVJU
M6 - RX12AXVJU
M7 - RX18AXVJU
M8 - RX24AXVJU

RK18AXVJU and RK24AXVJU

RK18AXVJU / RK24AXVJU



RK18AXVJU and RK24AXVJU

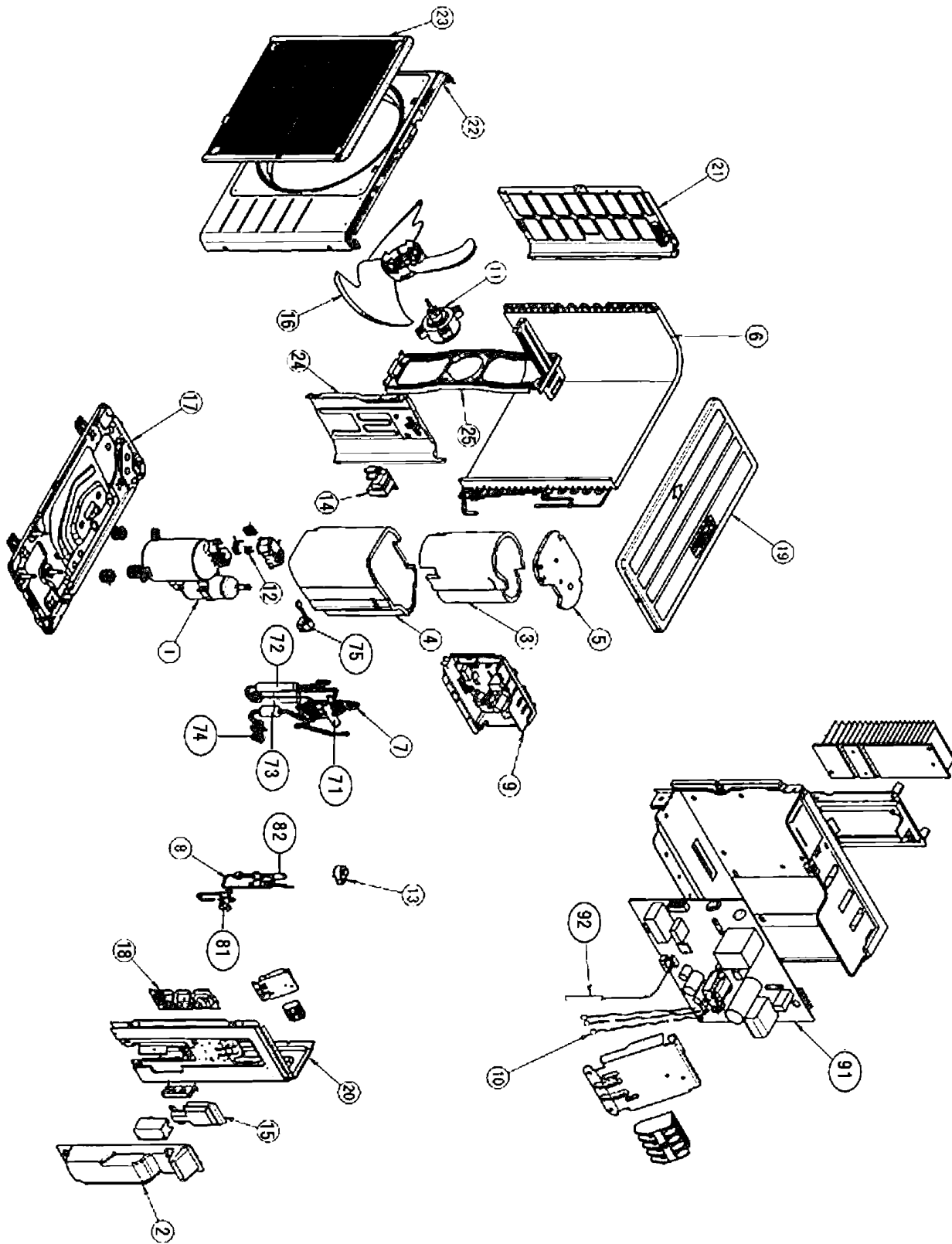
Ref. Part No:	Ref. Part No:	Description:	Description:
Image 1:			
1	4012946	COMPRESSOR ASSY. (M3, M4)	
2	4027049	STOP VALVE COVER (M3, M4)	
3	4023889	STOP VALVE MOUNTING PLATE (M3, M4)	
4	4027050	SERVICE COVER ASSY. (INS) (M3, M4)	
5	4027062	DISCHARGE GRILLE (M3, M4)	
6	4024008	HEAT EXCHANGER ASSY. (M3)	
6	4027051	HEAT EXCHANGER ASSY. (M4)	
7	4023416	GAS STOP VALVE ASSY. (M3)	
7	4027052	GAS STOP VALVE ASSY. (M4)	
8	4023480	LIQUID STOP VALVE ASSY. (M3, M4)	
9	4027054	ELECTRONIC EXP. VALVE ASSY. (M4)	
9	4027073	ELECTRONIC EXP. VALVE ASSY. (M3)	
10	4027076	DISCHARGE PIPE ASSY. (M3)	
10	4027077	DISCHARGE PIPE ASSY. (M4)	
11	4027078	SUCTION PIPE (M3, M4)	
12	4027079	CONTROL BOX ASSY. (M3)	
12	4027080	CONTROL BOX ASSY. (M4)	
13	4027061	WIRE HARNESS ASSY. (COMPRESSOR) (M3, M4)	
14	4023917	FAN MOTOR BRACKET (M3)	
14	4027048	FAN MOTOR BRACKET (M4)	
15	4027063	SOLENOID COIL (VALVE) (M3, M4)	
16	4027064	FAN MOTOR (M3, M4)	
17	622423	OVERLOAD PROTECTOR (M3, M4)	
18	4016827	PROPELLER FAN ASSY. (M3, M4)	
19	4027065	BOTTOM FRAME ASSY. (M3, M4)	
20	4026996	TOP PANEL ASSY. (M3, M4)	
21	4027066	RIGHT PANEL (M3, M4)	
22	4025238	LEFT PANEL (M3, M4)	
23	4025239	FRONT PLATE ASSY. (M3, M4)	
24	4025240	SOUND INSULATION (SLEEVE) (M3, M4)	
25	4025241	SOUND INSULATION (TOP) (M3, M4)	
26	4027067	PARTITION (M3, M4)	
91	4027055	BODY/ ELECTRONIC EXP. VALVE (M3, M4)	
92	4027074	STRAINER (M3, M4)	
101	4027027	MUFFLER (M3, M4)	
121	NA	PRINTED CIRCUIT BOARD ASSY. (M3, M4)	
122	4027060	THERMISTOR ASSY. (M3, M4)	
123	1567203	TERMINAL BLOCK (M3, M4)	
NS	4027075	STRAINER (TWIN TUBE) (M4)	

Expanded Model Nomenclature

M1 - RK09AXVJU
M2 - RK12AXVJU
M3 - RK18AXVJU
M4 - RK24AXVJU
M5 - RX09AXVJU
M6 - RX12AXVJU
M7 - RX18AXVJU
M8 - RX24AXVJU

RX09AXVJU and RX12AXVJU

RX09AXVJU / RX12AXVJU



RX09AXVJU and RX12AXVJU

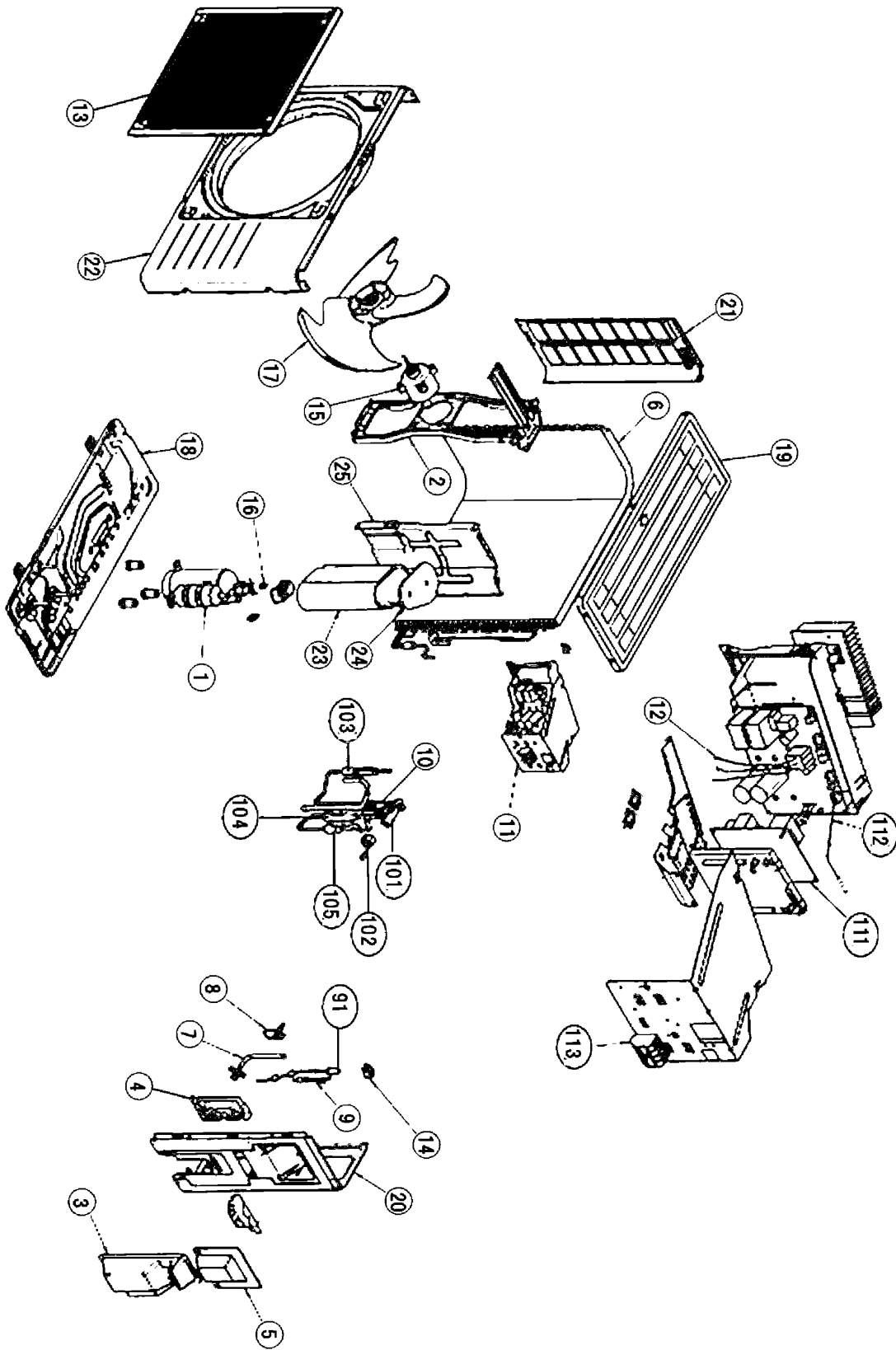
Ref. Part No:	Ref. Part No:	Description:	Description:
Image 1:			
1	4015889	COMPRESSOR (M5, M6)	
2	4027020	STOP VALVE COVER (M5, M6)	
3	4027021	SOUND INSULATION (INNER) (M5, M6)	
4	4027022	SOUND INSULATION (OUTER) (M5, M6)	
5	4027023	SOUND INSULATION (TOP) (M5, M6)	
6	4027024	COIL ASSY. (M5)	
6	4027025	COIL ASSY. (M6)	
7	4027026	FOUR WAY VALVE PIPING ASSY. (M5, M6)	
8	4027031	ELECTRONIC EXP. VALVE ASSY. (M5, M6)	
9	4027033	CONTROL BOX ASSY. (M5, M6)	
10	4027034	WIRE HARNESS (COMPRESSOR) (M5, M6)	
11	4027035	FAN MOTOR (M5, M6)	
12	622423	OVERLOAD PROTECTOR (M5, M6)	
13	4022480	COIL/ ELECTRONIC EXP. VALVE (M5, M6)	
14	6023975	REACTOR (M5, M6)	
15	4027036	RADIATION SHEILD PLATE (M5, M6)	
16	4027037	PROPELLER FAN (M5, M6)	
17	4027038	BOTTOM FRAME ASSY. (M5, M6)	
18	4027039	STOP VALVE MOUNTING PLATE (M5, M6)	
19	4027040	TOP PANEL ASSY. (M5, M6)	
20	4027041	RIGHT PANEL (M5, M6)	
21	4027042	LEFT PANEL (M5, M6)	
22	4027043	FRONT PANEL ASSY. (M5, M6)	
23	4027044	DISCHARGE GRILLE (M5, M6)	
24	4027045	PARTITION (M5, M6)	
25	4027046	FAN MOTOR BRACKET (M5)	
25	4027047	FAN MOTOR BRACKET (M6)	
71	4023477	BODY/ FOUR WAY VALVE (M5, M6)	
72	4027027	MUFFLER (M5, M6)	
72	4027028	MUFFLER (M5, M6)	
74	4027029	GAS STOP VALVE ASSY. (M5, M6)	
75	4027030	SOLENOID COIL (FOUR WAY VALVE) (M5, M6)	
81	4027032	LIQUID STOP VALVE ASSY. (M5, M6)	
82	1980882	BODY/ ELECTRONIC EXP. VALVE (M5, M6)	
91	NA	OUTDOOR PCB (WITH EEPROM) (M5, M6)	
92	4015887	THERMISTOR ASSY. (M5, M6)	

Expanded Model Nomenclature

M1 - RK09AXVJU
M2 - RK12AXVJU
M3 - RK18AXVJU
M4 - RK24AXVJU
M5 - RX09AXVJU
M6 - RX12AXVJU
M7 - RX18AXVJU
M8 - RX24AXVJU

RX18AXVJU and RX24AXVJU

RX18AXVJU / RX24AXVJU



RX18AXVJU and RX24AXVJU

Ref. Part No:	Part No:	Description:	Ref. Part No:	Part No:	Description:
---------------	----------	--------------	---------------	----------	--------------

Image 1:

1	4012946	COMPRESSOR ASSY. (M7, M8)
2	4023917	FAN MOTOR BRACKET ASSY. (M7)
2	4027048	FAN MOTOR BRACKET ASSY. (M8)
3	4027049	STOP VALVE COVER (M7, M8)
4	4023889	STOP VALVE MOUNTING PLATE (M7, M8)
5	4027050	SERVICE COVER ASSY. (INS) (M7, M8)
6	4024008	COIL ASSY. (M7)
6	4027051	COIL ASSY. (M8)
7	4023416	GAS STOP VALVE ASSY. (M7)
7	4027052	GAS STOP VALVE ASSY. (M8)
8	4023480	LIQUID STOP VALVE ASSY. (M7, M8)
9	4027053	ELECTRONIC EXP. VALVE ASSY. (M7)
9	4027054	ELECTRONIC EXP. VALVE ASSY. (M8)
10	4027056	FOUR WAY VALVE PIPING ASSY. (M7)
10	4027057	FOUR WAY VALVE PIPING ASSY. (M8)
11	4027058	CONTROL BOX ASSY. (M7)
11	4027059	CONTROL BOX ASSY. (M8)
12	4027061	WIRE HARNESS ASSY. (COMPRESSOR) (M7, M8)
13	4027062	DISCHARGE GRILLE (M7, M8)
14	4027063	SOLENOID COIL (VALVE) (M7, M8)
15	4027064	FAN MOTOR (M7, M8)
16	622423	OVERLOAD PROTECTOR (M7, M8)
17	4016827	PROPELLER FAN ASSY. (M7, M8)
18	4027065	BOTTOM FRAME ASSY. (M7, M8)
19	4026996	TOP PANEL ASSY. (M7, M8)
20	4027066	RIGHT PANEL (M7, M8)
21	4025238	LEFT PANEL (M7, M8)
22	4025239	FRONT PLATE ASSY. (M7, M8)
23	4025240	SOUND INSULATION (SLEEVE) (M7, M8)
24	4025241	SOUND INSULATION (TOP) (M7, M8)
25	4027067	PARTITION (M7, M8)
91	4027055	BODY/ ELECTRONIC EXP. VALVE (M7, M8)
101	4023417	FOUR WAY VALVE (M7, M8)
102	4027088	FOUR WAY VALVE SOLENOID COIL (M7, M8)
103	4027027	MUFFLER (M7, M8)
104	4027027	MUFFLER (M7)
105	4027028	MUFFLER (M7)
111	NA	OUTDOOR PCB (WITH EEPROM) (M7, M8)
112	4027060	THERMISTOR ASSY. (M7, M8)
113	1567203	TERMINAL BLOCK (M7, M8)

Expanded Model Nomenclature

M1 - RK09AXVJU
M2 - RK12AXVJU
M3 - RK18AXVJU
M4 - RK24AXVJU
M5 - RX09AXVJU
M6 - RX12AXVJU
M7 - RX18AXVJU
M8 - RX24AXVJU