

## DRC 3 Ton Commercial Package Cooling Unit

DRC0361D000001SAA  
DRC0363D000001SAA  
DRC0364D000001SAA



This manual is to be used by qualified technicians only.

# Important Information

---

## Index

Functional Parts List .....	3
Illustration and Parts .....	4 - 15

*Views shown are for parts illustrations only, not servicing procedures*

### Text Codes:

AR - As Required

NA - Not Available

NS - Not Shown

00000000 - See Note

QTY - Quantity Example (QTY 3) (If Quantity not shown, Quantity = 1)

M - Model Example (M1) (If M Code not shown, then part is used on all Models)

### Expanded Model Nomenclature:

Example M1 - Model#1 M2 - Model#2 M3 - Model#3
---

Daikin Company, L.P. is not responsible for personal injury or property damage resulting from improper service. Review all service information before beginning repairs.

Warranty service must be performed by an authorized technician, using authorized factory parts. If service is required after the warranty expires, Daikin Company, L.P. also recommends contacting an authorized technician and using authorized factory parts.

Daikin Company, L.P. reserves the right to discontinue, or change at any time, specifications or designs without notice or without incurring obligations.

For assistance within the U.S.A. contact:

Equipment Support  
Daikin North America, LLC  
19001 Kermier Road  
Waller, Texas 77484  
855-770-5678-Telephone  
713-863-2382-Facsimile

For assistance outside the U.S.A. contact:

International Division  
Daikin North America, LLC  
19001 Kermier Road  
Waller, Texas 77484  
713-861-2500-Telephone  
713-863-2382-Facsimile

# Functional Parts

## Part

## No: Description:

---

10625733	BLADE-FAN 22" ALUM CCW
CAP050000370LA	CAP, 5 MFD/370V/OVAL (M2)
CAP050400440CT	CAP, 5/40 MFD/440V/DUAL RD (M1)
CAP040000370VA	CAPACITOR (M3)
ZPS30K5EPFV130	COMP,30000,208/230 (M1)
ZPS30K5ETF5130	COMPRESSOR (M2)
ZPS30K5ETFD130	COMPRESSOR (M3)
CONT2P025024V	CONT, 2 POLE, 25 AMP, 24 VAC (M1, M2)
CONT3P025024V	CONT, 3 POLE, 25 AMP, 24VAC (M3)
CONT3P025024V	CONT, 3 POLE, 25 AMP, 24VAC (M3)
CONT3P030024V	CONT, 3 POLE, 30 AMP, 24VAC (M2)
0130M00513	CONTACTOR (M1)
0130M00178	DPDT RELAY 24VAC (QTY 3)
0251L00009	EXPANSION VALVE ASSY
0130M00583	FREEZE STAT
0130M00280	HIGH PRESSURE SWITCH
0130M00087	LOW PRESSURE SWITCH
0131M00881	MOTOR - PROGRAMMED (M1, M2)
0131L00132	MOTOR - PROGRAMMED (M3)
0131M00962	MOTOR 1/6H.P., 1SP, 8PL (M3)
0131M00964	MOTOR 1/6H.P., 1SP, 8PL (M1, M2)
0130M00038	TERMINAL BOARD
B1370772	TIME DELAY (ICM) 180 SEC DEL
0130M00595	TRANSFORMER, 75VA, 480V TO 24V (M3)
B1141654	TRANSFORMER,208-240,75VA,RESET (M1, M2)

### SPECIAL PARTS

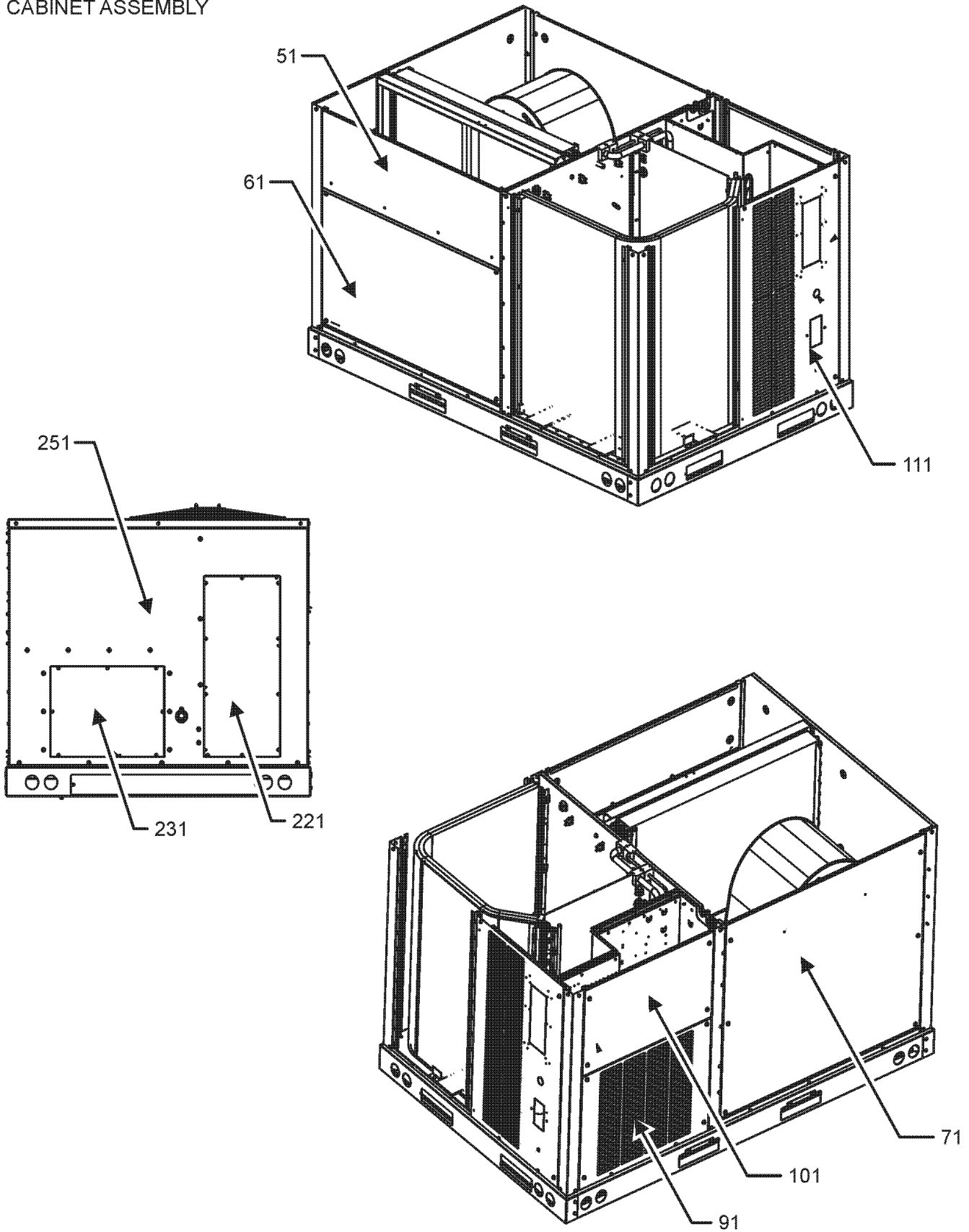
RP-FIOPSC*	ACCESSORY RP MANUAL
RP-EHX(D/B)SC*	HEATER KIT RP MANUAL
RP-EHS(D/B)SC*	HEATER KIT RP MANUAL

### Expanded Model Nomenclature

M1 - DRC0361D000001SAA
M2 - DRC0363D000001SAA
M3 - DRC0364D000001SAA

# CABINET ASSEMBLY

## CABINET ASSEMBLY



# CABINET ASSEMBLY

<b>Ref. Part No: No:</b>	<b>Description:</b>	<b>Ref. Part No: No:</b>	<b>Description:</b>
------------------------------	---------------------	------------------------------	---------------------

---

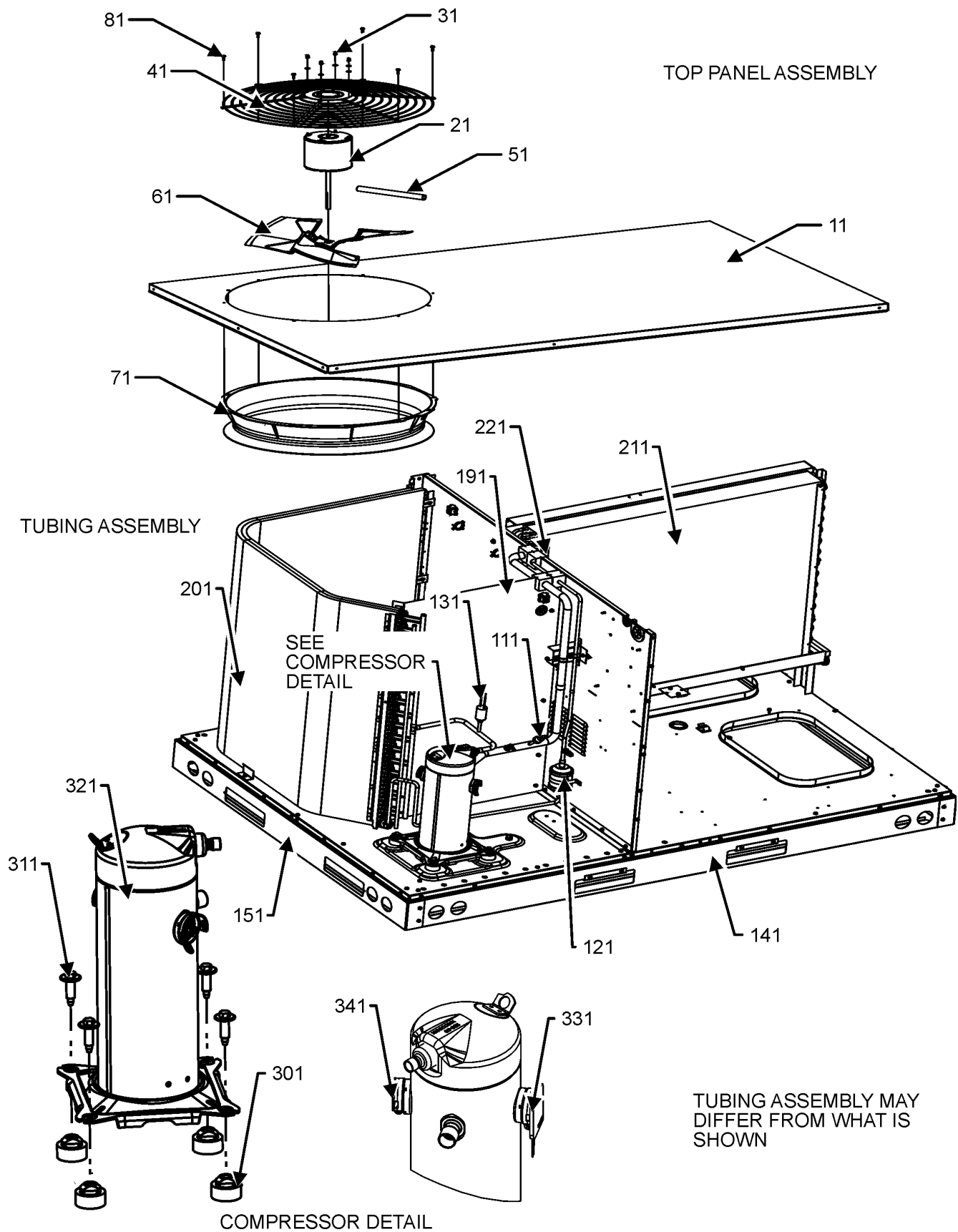
**Image 1:**

51	0121L01734SB	PAINTED FILTER PANEL
61	0121L01651SB	PAINTED ECONOMIZER PANEL
71	0121L02261SB	PAINTED BLOWER PANEL
91	0121L02263SB	PAINTED COMPRESSOR PANEL
101	0121L02262SB	PAINTED CONTROL BOX PANEL
111	0121L03642SB	PAINTED, COMPRESSOR BACK PANEL
221	0121L02910SB	PAINTED COVER-DUCT RETURN
231	0121L02911SB	PAINTED COVER-DUCT SUPPLY
251	0121L03336SB	PAINTED BACK PANEL

**Expanded Model Nomenclature**

M1 - DRC0361D000001SAA
M2 - DRC0363D000001SAA
M3 - DRC0364D000001SAA

# TOP PANEL AND TUBING ASSEMBLY



# TOP PANEL AND TUBING ASSEMBLY

Ref. Part No: No:	Description:	Ref. Part No: No:	Description:
-------------------	--------------	-------------------	--------------

**Image 1:**

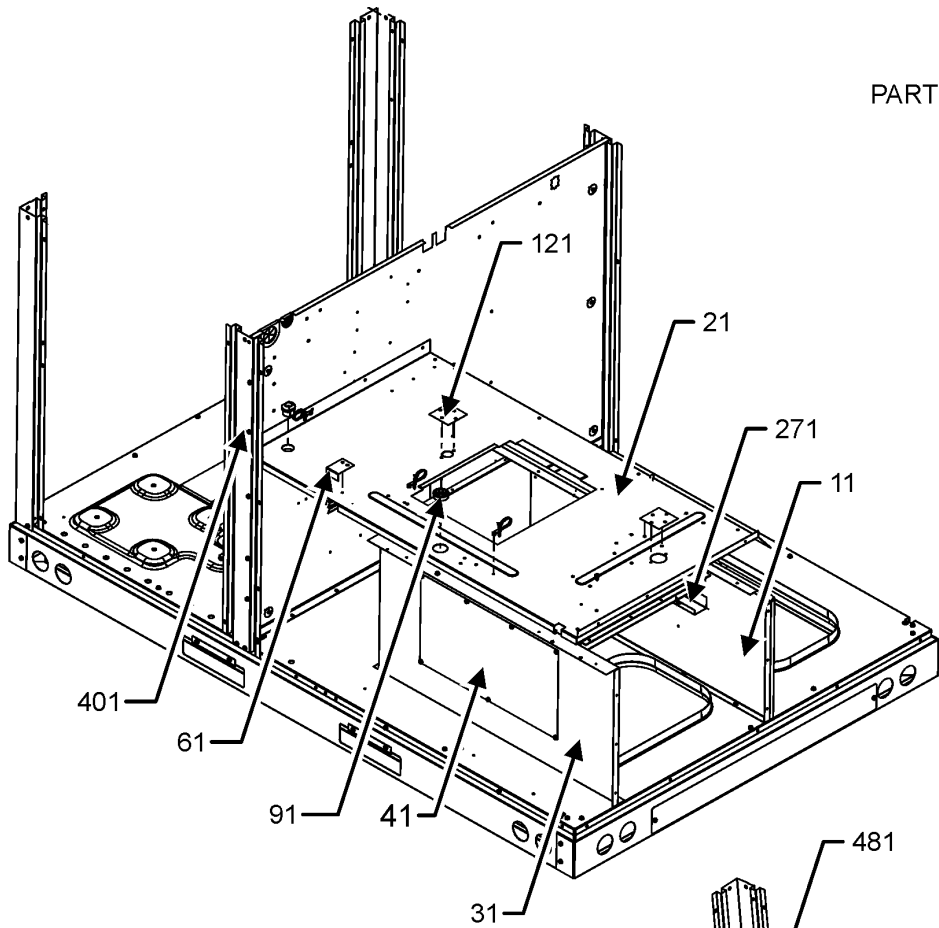
11	0121L01626SB	PAINTED, TOP PANEL
21	0131M00962	MOTOR 1/6H.P., 1SP, 8PL (M3)
21	0131M00964	MOTOR 1/6H.P., 1SP, 8PL (M1, M2)
31	0163M00006P	ACORN NUT 5/16 HEX BLACK (QTY 4)
41	0152G00000	FAN GRILLE, RAISED
51	0161R00003P	CONDUIT
61	10625733	BLADE-FAN 22" ALUM CCW
71	0161L00000	RING VENTURI 22
81	0163M00004	SCREW #10X3/4", BLACK (QTY 8)
111	0130M00087	LOW PRESSURE SWITCH
121	0162R00056	FILTER/DRIER-BI-FLOW
131	0130M00280	HIGH PRESSURE SWITCH
141	0121L01620	SMALL SIDE RAIL (QTY 2)
151	0121L01621	SMALL END RAIL (QTY 2)
191	0121L02003	OD COIL BLOCKOFF
201	0201L00331	OD COIL ASSY
211	0211L00150	EVAP COIL ASSY
221	0251L00009	EXPANSION VALVE ASSY
301	B1339533	COMPRESSOR GROMMET (QTY 4)
311	B1393740	COMP. BOLT & SLEEVE (QTY 4)
321	ZPS30K5EPFV130	COMP,30000,208/230 (M1)
321	ZPS30K5ETF5130	COMPRESSOR (M2)
321	ZPS30K5ETFD130	COMPRESSOR (M3)
331	0159L00027	COMPRESSOR SCROLL HARNESS (M1)
331	0159L00065	Harness, comp s scroll (M2, M3)
341	0159G00010	CABLE, COMPR SCROLL
NS	0141L00003X	BOARD-FORK (QTY 2)
NS	0130M00583	FREEZE STAT
NS	0121L03516	PNL, BRACKET, FORK BOARD (QTY 4)
NS	0163M00005P	WASHER, BLACK (.50 OD .218ID) (QTY 4)

**Expanded Model Nomenclature**

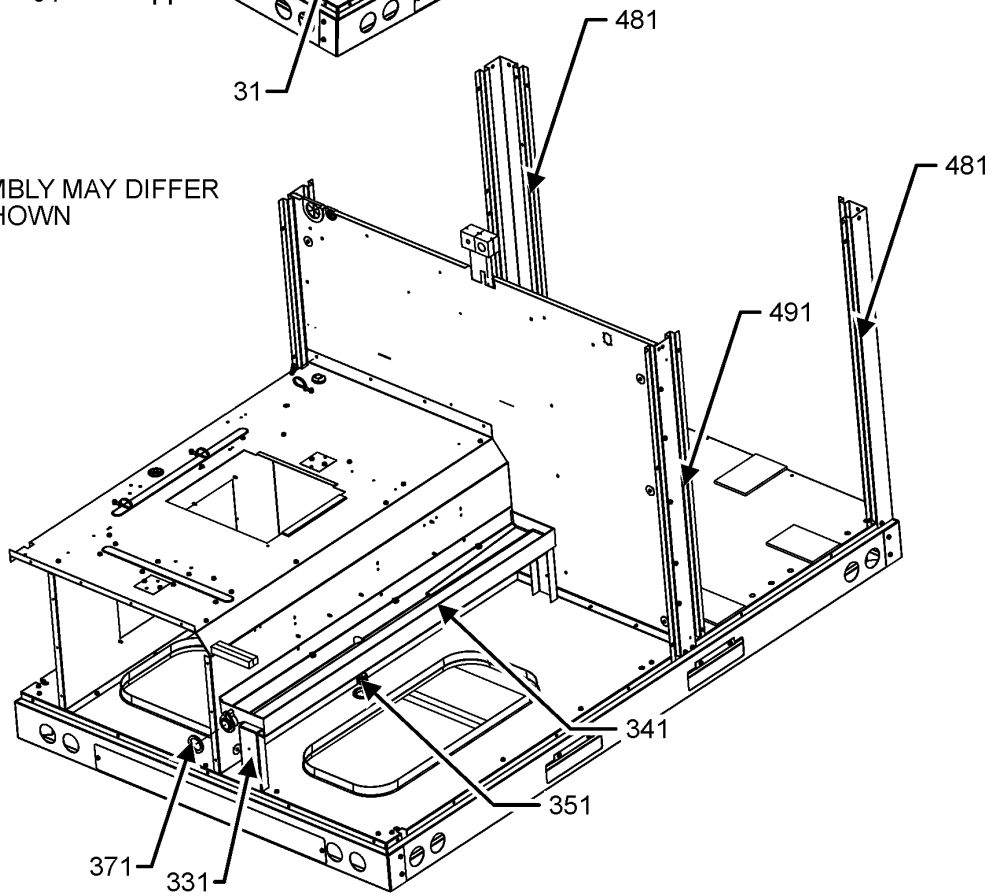
M1 - DRC0361D000001SAA
M2 - DRC0363D000001SAA
M3 - DRC0364D000001SAA

# PARTITION ASSEMBLY

## PARTITION ASSEMBLY



PARTITION ASSEMBLY MAY DIFFER FROM WHAT IS SHOWN





# PARTITION ASSEMBLY

Ref. Part No:	No:	Description:	Ref. Part No:	No:	Description:
---------------	-----	--------------	---------------	-----	--------------

---

**Image 1:**

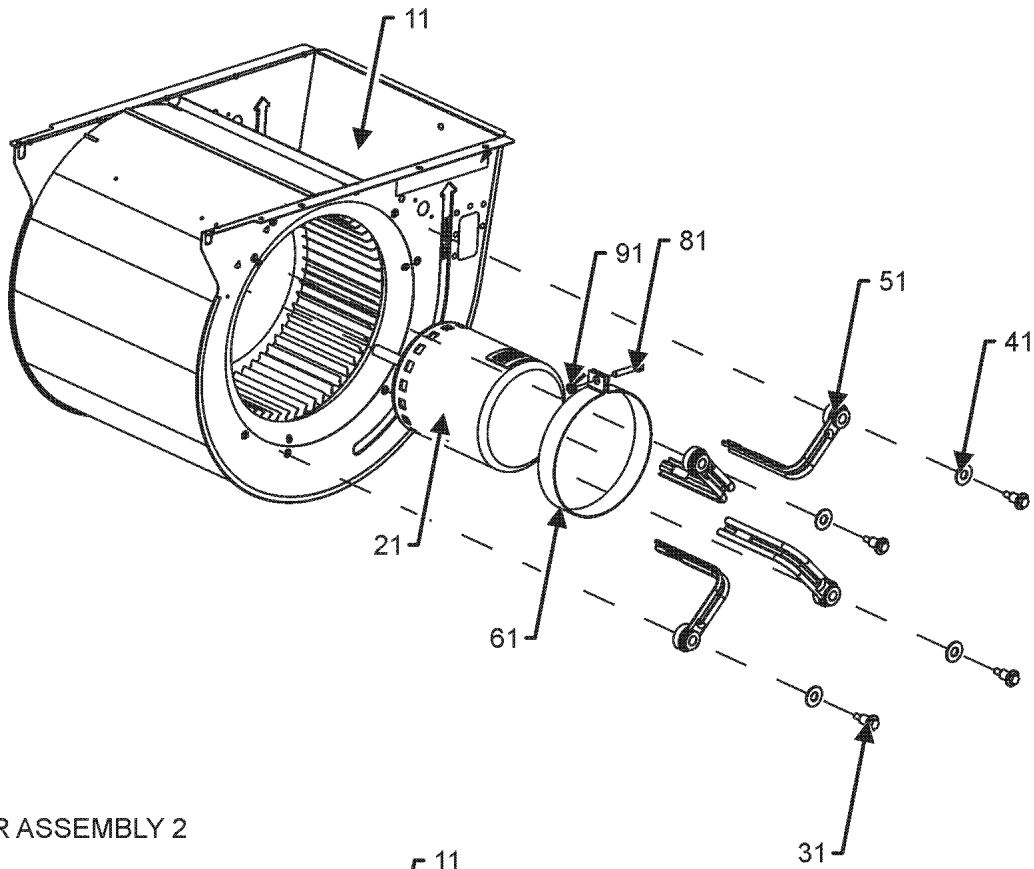
11	0121L02584	BLOWER DECK SIDE			
21	0121L03755	PANEL, BLOWER DECK			
31	0121L04004	HEAT KIT BOX			
41	0121L00144	COVER-ELECTRIC HEAT			
61	0121L01709	BLOWER DECK PLATE			
91	B1392147	UNIVERSIAL BUSHING WITH SLICE (QTY 2)			
121	0121L00321	COVER-SMOKE DETECTOR (QTY 2)			
271	0121L02633	BLOWER DECK U-BRACKET			
331	0121L01729	DRAIN PAN SUPPORT			
341	0161L00007	DRAIN PAN, EVAPORATOR 3-5 TON			
351	0163L00071	PLUG, DRAIN			
371	0154L00180	GASKET, DRAIN PAN			
401	0121L03442SB	PAINTED, SIDE POST			
481	0121L01728SB	PAINTED CORNER POST (QTY 2)			
491	0121L02697SB	PAINTED SIDE POST			
NS	0160L00173	AIR FILTER 14X20X2 (QTY 4)			
NS	A4568804	GROMMET-D			
NS	0164G00005	GROMMET-HORSESHOW 1.675			
NS	0121L01954	OD COIL BLOCKOFF ANGLE			
NS	0121L03515	RETAINER - ELECTRIC HEAT			

**Expanded Model Nomenclature**

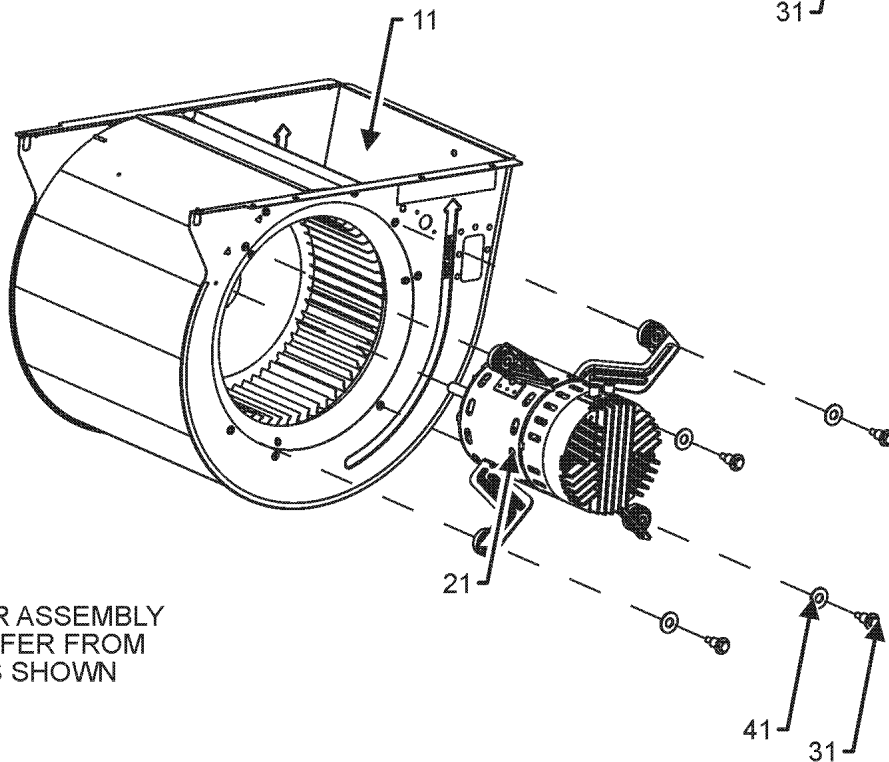
M1 - DRC0361D000001SAA
M2 - DRC0363D000001SAA
M3 - DRC0364D000001SAA

# BLOWER ASSEMBLY

## BLOWER ASSEMBLY 1



## BLOWER ASSEMBLY 2



BLOWER ASSEMBLY  
MAY DIFFER FROM  
WHAT IS SHOWN

# BLOWER ASSEMBLY

Ref. Part No:	No:	Description:	Ref. Part No:	No:	Description:
---------------	-----	--------------	---------------	-----	--------------

---

**Image 1:**

11	0271L00137	ASSY., BLOWER HOUSING (M3)
21	0131L00132	MOTOR - PROGRAMMED (M3)
21	0131M00881	MOTOR - PROGRAMMED (M1, M2)
31	M0250565	SCREW-TC 1.25" (QTY 4)
41	B1392918	WASHER, FLAT 1/4 ID X 1 OD (QTY 4)
51	0163A00008	MOTOR MOUNTING ARM (M1, M2)
61	10441601	BAND-MTR MOUNT (M1, M2)
81	M0267144	SCREW-MACH (M1, M2)
91	M0282015	NUT-KEPS (M1, M2)

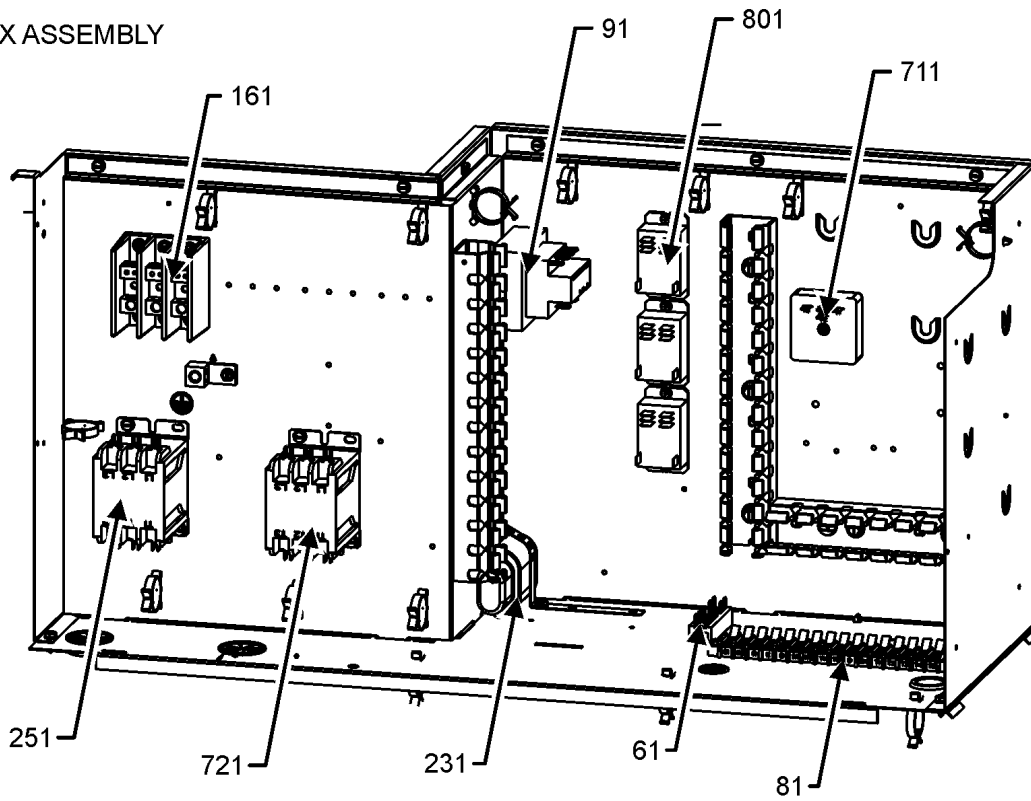
**Expanded Model Nomenclature**

M1 - DRC0361D000001SAA
M2 - DRC0363D000001SAA
M3 - DRC0364D000001SAA

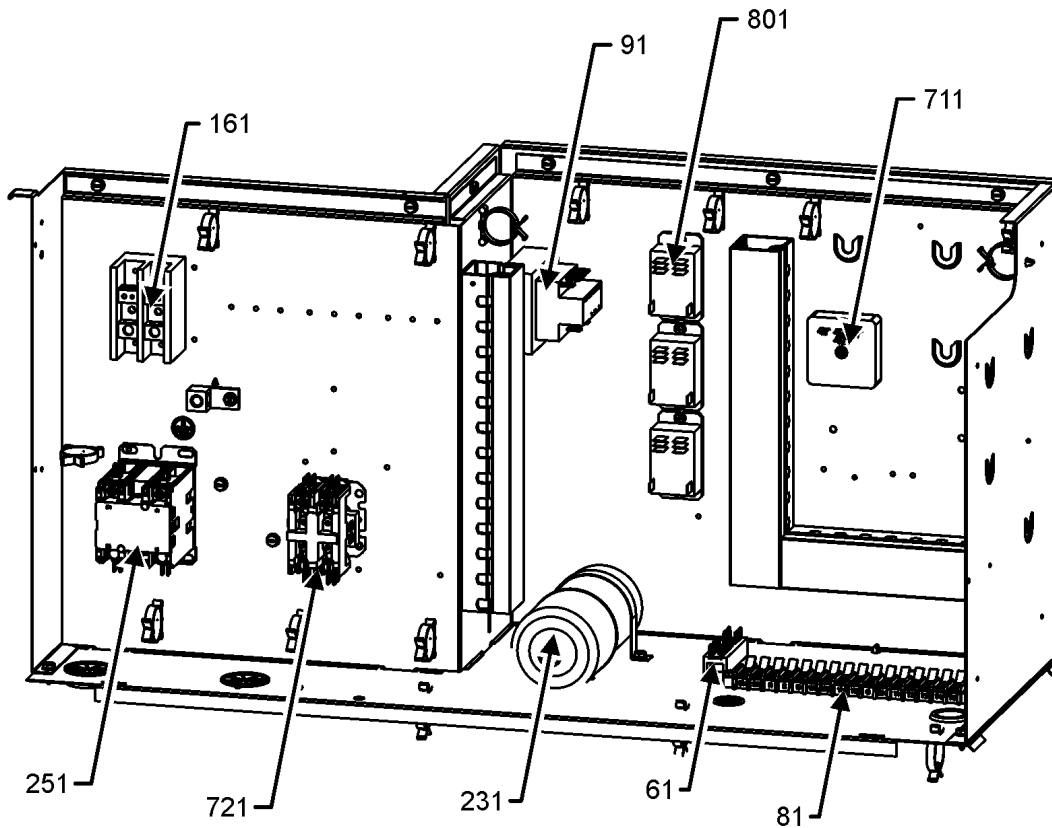
# CONTROL BOX ASSEMBLY

CONTROL BOX ASSEMBLY

3 PHASE



1 PHASE



CONTROL BOX ASSEMBLY MAY DIFFER FROM WHAT IS SHOWN

# CONTROL BOX ASSEMBLY

Ref. Part No:	Part No:	Description:	Ref. Part No:	Part No:	Description:
---------------	----------	--------------	---------------	----------	--------------

**Image 1:**

61	802007090	TERM BOARD			
81	0130M00038	TERMINAL BOARD			
91	0130M00595	TRANSFORMER, 75VA, 480V TO 24V (M3)			
91	B1141654	TRANSFORMER,208-240,75VA,RESET (M1, M2)			
161	0130M00510	BLOCK, POWER (M1)			
161	0130M00509	BLOCK,POWER (M2, M3)			
231	CAP050000370LA	CAP, 5 MFD/370V/OVAL (M2)			
231	CAP050400440CT	CAP, 5/40 MFD/440V/DUAL RD (M1)			
231	CAP040000370VA	CAPACITOR (M3)			
251	CONT3P025024V	CONT, 3 POLE, 25 AMP, 24VAC (M3)			
251	CONT3P030024V	CONT, 3 POLE, 30 AMP, 24VAC (M2)			
251	0130M00513	CONTACTOR (M1)			
711	B1370772	TIME DELAY (ICM) 180 SEC DEL			
721	CONT2P025024V	CONT, 2 POLE, 25 AMP, 24 VAC (M1, M2)			
721	CONT3P025024V	CONT, 3 POLE, 25 AMP, 24VAC (M3)			
801	0130M00178	DPDT RELAY 24 VAC (QTY 3)			
NS	B821700	BOOT, CAPACITOR (M2, M3)			
NS	0164M00079	BOOT-CAPACITOR, ROUND (M1)			
NS	0130M00507	MOTOR POWER HARNESS (M1, M2)			
NS	20520901	STRAP-CAPACITOR			
NS	0259L00628	WIRE HARNESS ASSY.			
NS	0259L00682	WIRE HARNESS ASSY.			
NS	0259L00753	WIRE HARNESS ASSY. (M3)			
NS	0259L00754	WIRE HARNESS ASSY. (M3)			
NS	0259L00864	WIRE HARNESS ASSY.			
NS	0259L00867	WIRE HARNESS ASSY. (M2)			
NS	0130M00506	X-13 LOW VOLTAGE WIRE HARNESS (M1, M2)			

**Expanded Model Nomenclature**

M1 - DRC0361D000001SAA
M2 - DRC0363D000001SAA
M3 - DRC0364D000001SAA

# ACCESSORY PARTS LIST

NOTE: NOT ALL OPTIONS AVAILABLE FOR ALL PRODUCTS

FOR ACCESSORY PARTS SEE THE FOLLOWING PART MANUAL

**RP-FIOPSC\***

**RP-EHS[D/B]SC\***

**RP-EHX[D/B]SC\***

# ACCESSORY PARTS

**Ref. Part**

**No: No:**

**Description:**

**Ref. Part**

**No: No:**

**Description:**

---

**Image 1:**

NS RP-FIOPSC\* ACCESSORY RP MANUAL

NS RP-EHS(D/B)SC\* HEATER KIT RP MANUAL

NS RP-EH(D/B)SC\* HEATER KIT RP MANUAL

**Expanded Model Nomenclature**

M1 - DRC0361D000001SAA

M2 - DRC0363D000001SAA

M3 - DRC0364D000001SAA