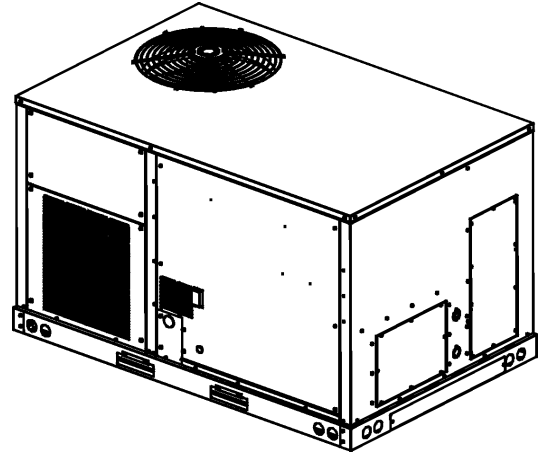


## Commercial High Efficient (DRG) 4 Ton Package Gas Unit

DRG0481DH00001SAA  
DRG0481DL00001SAA  
DRG0481DM00001SAA  
DRG0483DH00001SAA  
DRG0483DL00001SAA  
DRG0483DM00001SAA  
DRG0484DH00001SAA  
DRG0484DL00001SAA  
DRG0484DM00001SAA  
DRG0487DH00001SAA  
DRG0487DL00001SAA  
DRG0487DM00001SAA



This manual is to be used by qualified technicians only.

This manual replaces RP-D1152

# Important Information

---

## Index

Functional Parts List .....	3
Illustration and Parts .....	4 - 17

*Views shown are for parts illustrations only, not servicing procedures*

### Text Codes:

AR - As Required

NA - Not Available

NS - Not Shown

00000000 - See Note

QTY - Quantity Example (QTY 3) (If Quantity not shown, Quantity = 1)

M - Model Example (M1) (If M Code not shown, then part is used on all Models)

### Expanded Model Nomenclature:

Example M1 - Model#1 M2 - Model#2 M3 - Model#3
---

Daikin Company, L.P. is not responsible for personal injury or property damage resulting from improper service. Review all service information before beginning repairs.

Warranty service must be performed by an authorized technician, using authorized factory parts. If service is required after the warranty expires, Daikin Company, L.P. also recommends contacting an authorized technician and using authorized factory parts.

Daikin Company, L.P. reserves the right to discontinue, or change at any time, specifications or designs without notice or without incurring obligations.

For assistance within the U.S.A. contact:

Equipment Support  
Daikin North America, LLC  
19001 Kermier Road  
Waller, Texas 77484  
855-770-5678-Telephone  
713-863-2382-Facsimile

For assistance outside the U.S.A. contact:

International Division  
Daikin North America, LLC  
19001 Kermier Road  
Waller, Texas 77484  
713-861-2500-Telephone  
713-863-2382-Facsimile

# Functional Parts

**Part No:**            **Description:**

0163F00017	BECKETT BURNER (QTY 6)
10625733	BLADE-FAN 22" ALUM CCW
CAP050000370LA	CAP 5 MFD/370V/OVAL (M4, M5, M6)
CAP050300440CS	CAP,5/30MFD/440V/DUAL RD (M1, M2, M3)
ZPS40K5EPFV130	COMP,41100,208/230/60/1 (M1, M2, M3)
ZPS40K5ETFD130	COMPRESSOR (M7, M8, M9)
ZPS40K5ETFE130	COMPRESSOR (M10, M11, M12)
ZPS40K5ETF5130	COMPRESSOR (M4, M5, M6)
CONT2P025024V	CONT, 2 POLE, 25 AMP, 24 VAC (QTY 2)
CONT3P025024V	CONT, 3 POLE, 25 AMP, 24 VAC (M7, M8, M9, M10, M11, M12)
CONT3P030024V	CONT, 3 POLE, 30 AMP, 24VAC (M4, M5, M6)
0130M00513	CONTACTOR (M1, M2, M3)
0130M00178	DPDT RELAY 24VAC (QTY 3)
0130F00010	FLAME SENSOR
0151F00000P	GAS VALVE - WHITE-RODGERS 2-STAGE
0130M00280	HIGH PRESSURE SWITCH
20261709	IGNITOR
0130F00035	LIMIT, PRIMARY (M1, M3, M4, M6, M7, M9, M10, M12)
20162904	LIMIT, PRIMARY
20162901	LIMIT, PRIMARY (M2, M5, M8, M11)
0130M00087	LOW PRESSURE SWITCH
10123532	MANUAL RESET LIMIT 350°F
0131M00962	MOTOR 1/6H.P., 1SP, 8PL (M7, M8, M9)
0131M00964	MOTOR 1/6H.P., 1SP, 8PL (M1, M2, M3, M4, M5, M6)
0131M00963	MOTOR 1/6H.P., 1SP, 8PL (M10, M11, M12)
0131L00251	MOTOR- PROGRAMMED (M2, M5)
0131L00143	MOTOR- PROGRAMMED (M8, M11)
0131L00252	MOTOR- PROGRAMMED (M9, M12)
0131L00253	MOTOR- PROGRAMMED (M7, M10)
0131L00101	MOTOR- PROGRAMMED (M1, M3, M4, M6)
PCBAG123	PCB, IGNITION,DSI, INTEG
11112501	SWITCH-PRESSURE
0130M00038	TERMINAL BOARD
0130M00596	TRANSFMR, 150VA, 480V TO 23 (M7, M8, M9)
0130M00597	TRANSFMR, 150VA, 575V TO 230V (M10, M11, M12)
0130M00598	TRANSFMR, 75VA, 575V TO 24V (M10, M11, M12)
0130M00595	TRANSFORMER, 75VA, 480V TO 24V (M7, M8, M9)
B1141654	TRANSFORMER,208-240,75VA,RESET (M1, M2, M3, M4, M5, M6)

## Expanded Model Nomenclature

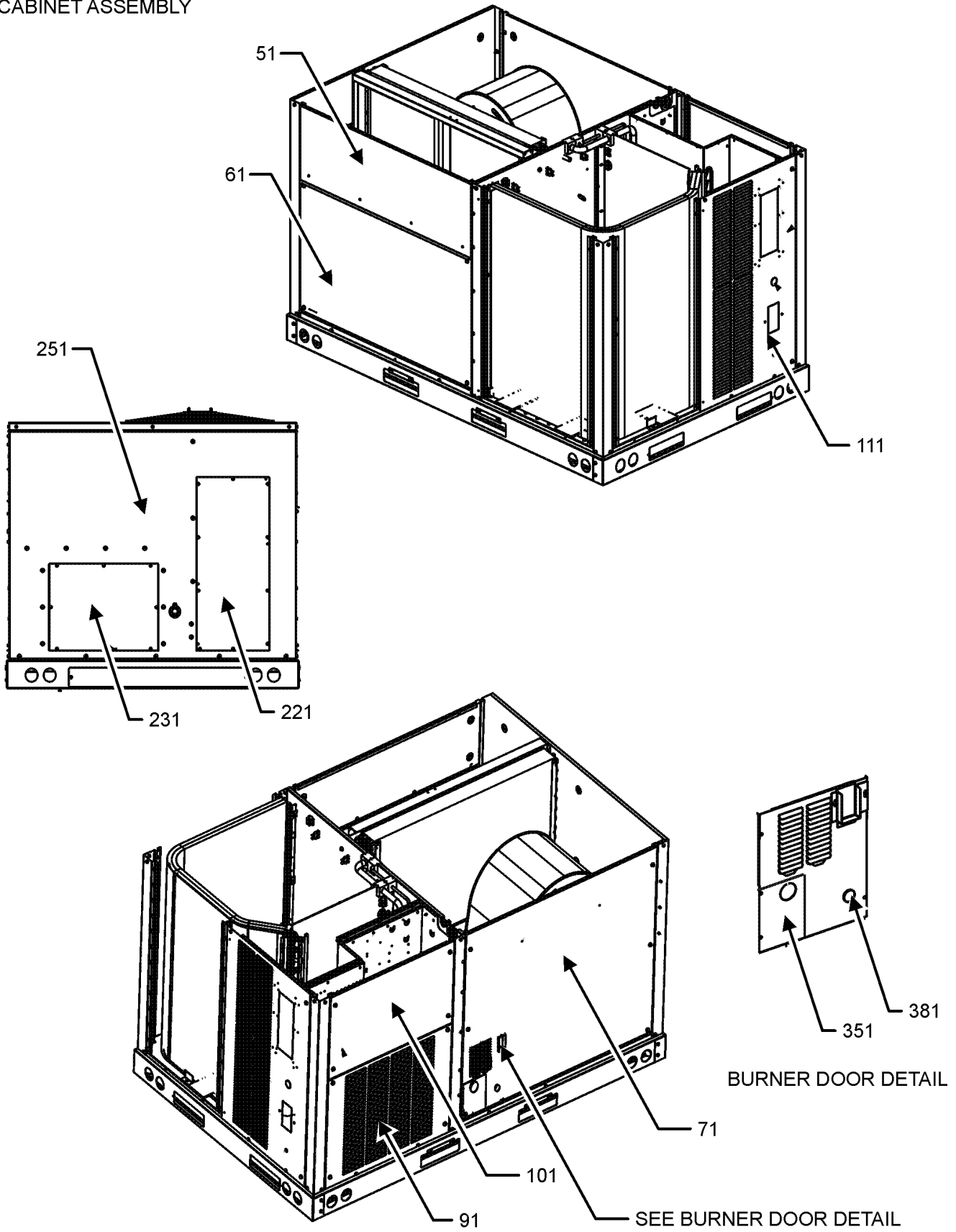
M1 - DRG0481DH00001SAA
M2 - DRG0481DL00001SAA
M3 - DRG0481DM00001SAA
M4 - DRG0483DH00001SAA
M5 - DRG0483DL00001SAA
M6 - DRG0483DM00001SAA
M7 - DRG0484DH00001SAA
M8 - DRG0484DL00001SAA
M9 - DRG0484DM00001SAA
M10 - DRG0487DH00001SAA
M11 - DRG0487DL00001SAA
M12 - DRG0487DM00001SAA

### SPECIAL PARTS

RP-FIOPSC*	ACCESSORY RP MANUAL
RP-EHX(D/B)SC*	HEATER KIT RP MANUAL
RP-EHS(D/B)SC*	HEATER KIT RP MANUAL

# CABINET ASSEMBLY

## CABINET ASSEMBLY



# CABINET ASSEMBLY

Ref. Part No:	No:	Description:	Ref. Part No:	No:	Description:
---------------	-----	--------------	---------------	-----	--------------

---

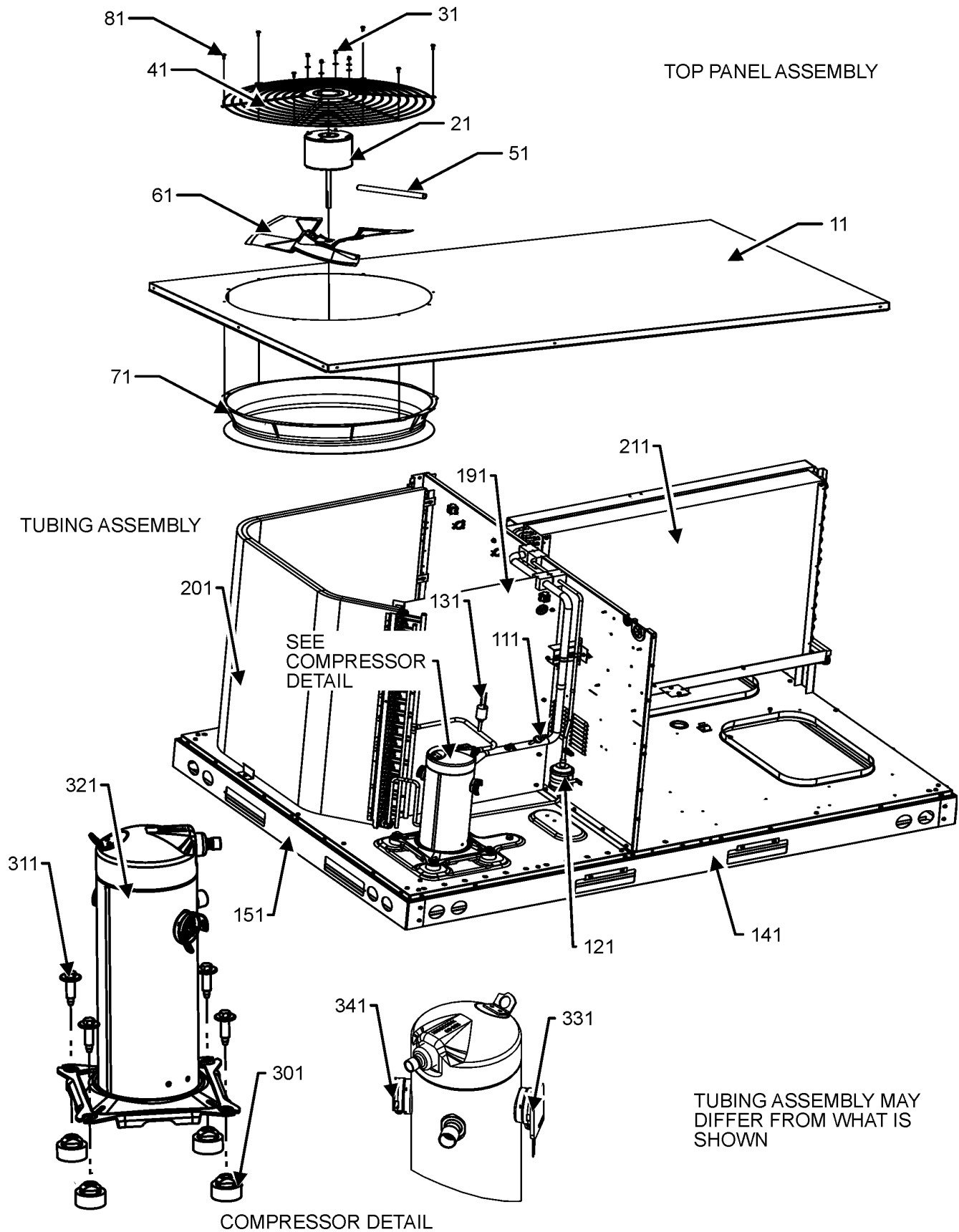
**Image 1:**

51	0121L01650SB	PAINTED FILTER PANEL
61	0121L01651SB	PAINTED ECONOMIZER PANEL
71	0121L03627SB	PAINTED, PANEL GAS BLOWER
91	0121L02265SB	PAINTED COMPRESSOR PANEL
101	0121L02262SB	PAINTED CONTROL BOX PANEL
111	0121L03643SB	PAINTED, COMPRESSOR BACK PANEL
221	0121L02910SB	PAINTED COVER-DUCT RETURN
231	0121L02911SB	PAINTED COVER-DUCT SUPPLY
251	0121L03345SB	PAINTED, DUCT PANEL
351	0121L03443SB	PAINTED, GAS INLET PANEL
381	B1392139	VIEW PORT BUSHING, CLEAR 1.00
NS	B1910010	GAS LINE GROMMET
NS	0121L03892	HEAT EXCHANGER FLASHING
NS	0121L03288SB	PAINTED, COLLAR, FLUE

**Expanded Model Nomenclature**

M1 - DRG0481DH00001SAA
M2 - DRG0481DL00001SAA
M3 - DRG0481DM00001SAA
M4 - DRG0483DH00001SAA
M5 - DRG0483DL00001SAA
M6 - DRG0483DM00001SAA
M7 - DRG0484DH00001SAA
M8 - DRG0484DL00001SAA
M9 - DRG0484DM00001SAA
M10 - DRG0487DH00001SAA
M11 - DRG0487DL00001SAA
M12 - DRG0487DM00001SAA

# TOP PANEL AND TUBING ASSEMBLY



# TOP PANEL AND TUBING ASSEMBLY

Ref. Part No: No:	Description:	Ref. Part No: No:	Description:
-------------------	--------------	-------------------	--------------

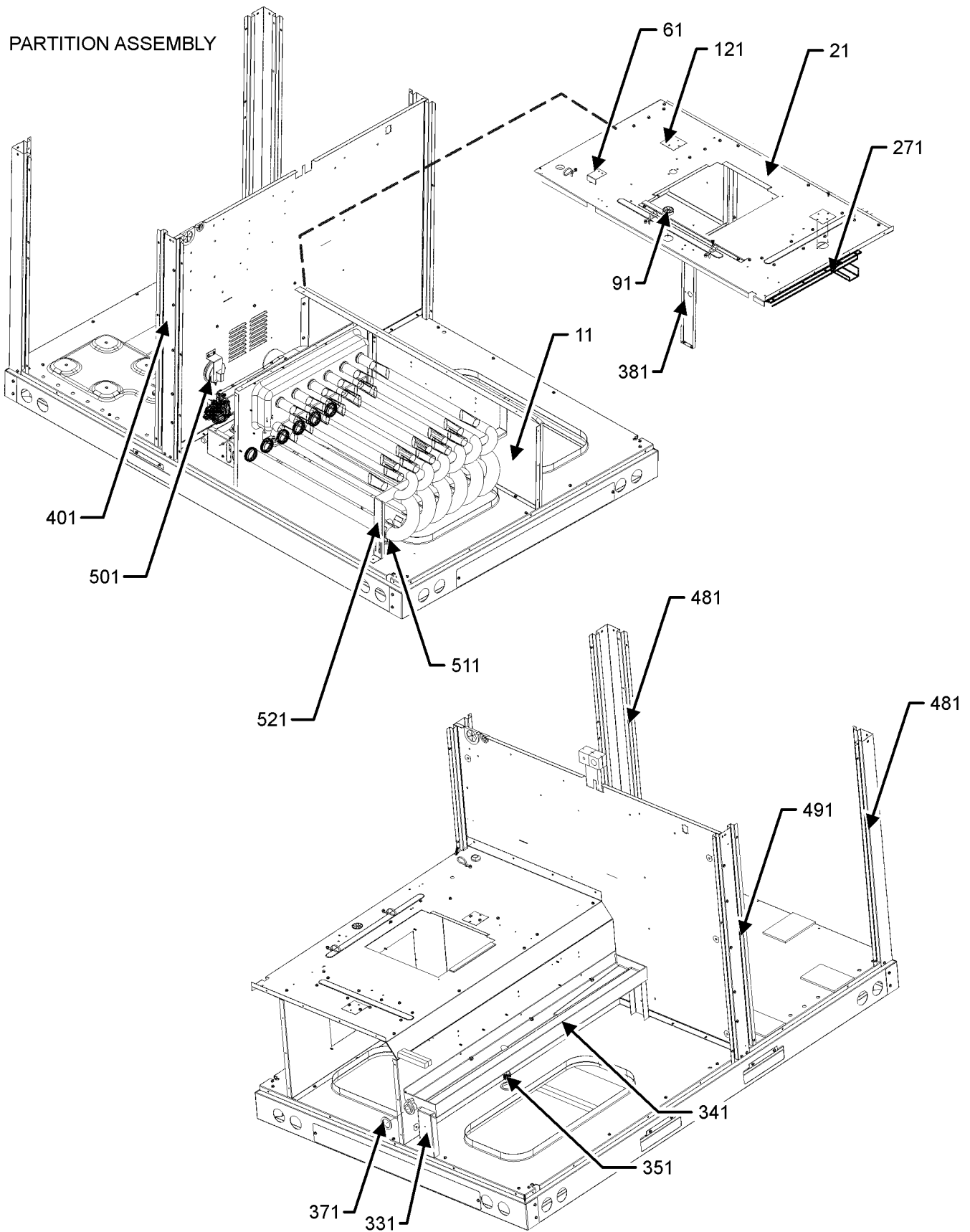
**Image 1:**

11	0121L01626SB	PAINTED, TOP PANEL
21	0131M00962	MOTOR 1/6H.P., 1SP, 8PL (M7, M8, M9)
21	0131M00963	MOTOR 1/6H.P., 1SP, 8PL (M10, M11, M12)
21	0131M00964	MOTOR 1/6H.P., 1SP, 8PL (M1, M2, M3, M4, M5, M6)
31	0163M00006P	ACORN NUT 5/16 HEX BLACK (QTY 4)
41	0152G00000	FAN GRILLE, RAISED
51	0161R00003P	CONDUIT
61	10625733	BLADE-FAN 22" ALUM CCW
71	0161L00000	RING VENTURI 22
81	0163M00004	SCREW #10X3/4", BLACK (QTY 8)
111	0130M00087	LOW PRESSURE SWITCH
121	0162R00056	FILTER/DRIER-BI-FLOW
131	0130M00280	HIGH PRESSURE SWITCH
141	0121L01620	SMALL SIDE RAIL (QTY 2)
151	0121L01621	SMALL END RAIL (QTY 2)
191	0121L01634	OD COIL BLOCKOFF
201	0201L00516	ASSY., COIL SLAB CIRCUIT
211	0202L00192	ASSY, ID, COIL, TUBING
301	B1339533	COMPRESSOR GROMMET (QTY 4)
311	B1393740	COMP. BOLT & SLEEVE (QTY 4)
321	ZPS40K5EPFV130	COMP,41100,208/230/60/1 (M1, M2, M3)
321	ZPS40K5ETF5130	COMPRESSOR (M4, M5, M6)
321	ZPS40K5ETFD130	COMPRESSOR (M7, M8, M9)
321	ZPS40K5ETFE130	COMPRESSOR (M10, M11, M12)
331	0159L00065	HARNESS, COMP SCROLL (M4, M5, M6, M7, M8, M9, M10, M11, M12)
331	0159L00027	HARNESS-COMP SCROLL (M1, M2, M3)
341	0159G00010	CABLE, COMPR SCROLL
NS	0141L00003X	BOARD-FORK (QTY 2)
NS	0251L00010	EXPANSION VALVE ASSY
NS	0121L03516	PNL, BRACKET, FORK BOARD (QTY 4)
NS	0163M00005P	WASHER, BLACK (.50 OD .218ID) (QTY 4)

**Expanded Model Nomenclature**

M1 - DRG0481DH00001SAA
M2 - DRG0481DL00001SAA
M3 - DRG0481DM00001SAA
M4 - DRG0483DH00001SAA
M5 - DRG0483DL00001SAA
M6 - DRG0483DM00001SAA
M7 - DRG0484DH00001SAA
M8 - DRG0484DL00001SAA
M9 - DRG0484DM00001SAA
M10 - DRG0487DH00001SAA
M11 - DRG0487DL00001SAA
M12 - DRG0487DM00001SAA

# PARTITION ASSEMBLY





# PARTITION ASSEMBLY

Ref. Part No:	Ref. Part No:	Description:	Description:
---------------	---------------	--------------	--------------

**Image 1:**

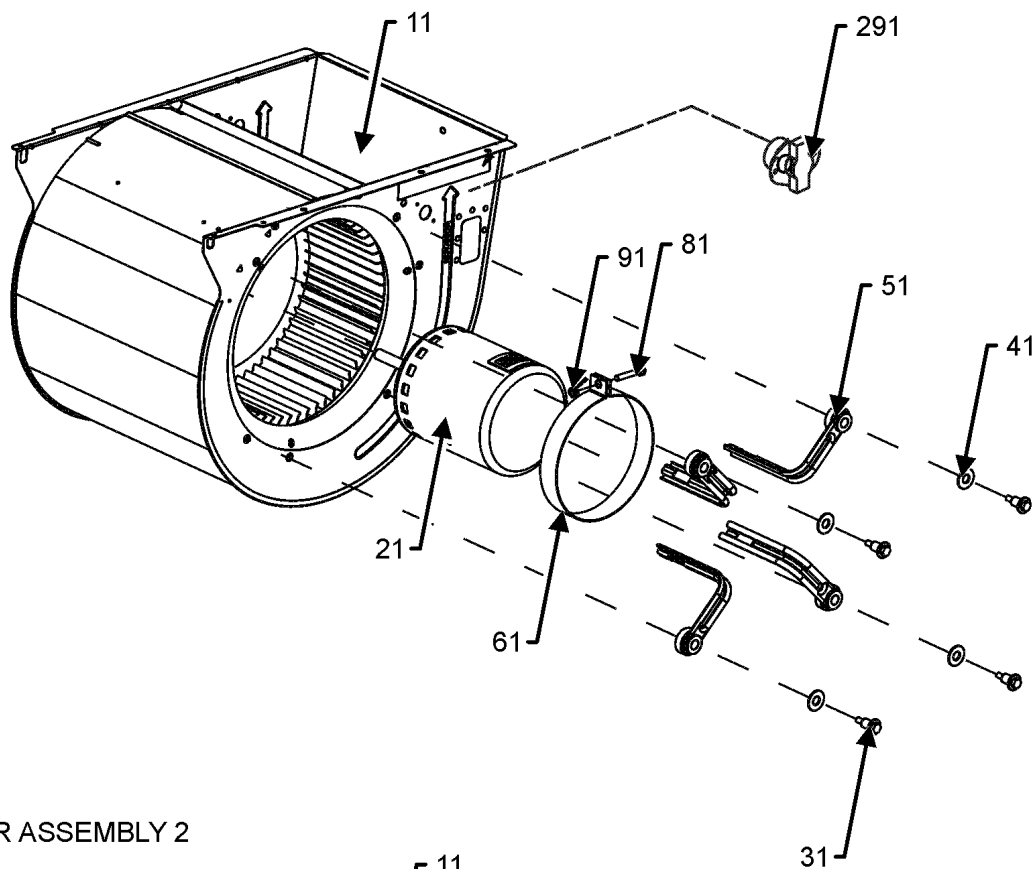
11	0121L02584	BLOWER DECK SIDE
21	0121L03755	PANEL, BLOWER DECK
61	0121L01709	BLOWER DECK PLATE
91	B1392147	UNIVERSIAL BUSHING WITH SLICE (QTY 2)
121	0121L00321	COVER-SMOKE DETECTOR (QTY 2)
271	0121L02633	BLOWER DECK U-BRACKET
331	0121L01635	DRAINPAN SUPPORT
341	0161L00007	DRAIN PAN, EVAPORATOR 3-5 TON
351	0163L00071	PLUG, DRAIN
371	0154L00180	GASKET, DRAIN PAN
381	0121L00300	POST-DECK SUPPORT
401	0121L03445SB	PAINTED, SIDE POST
481	0121L01625SB	PAINTED CORNER POST (QTY 2)
491	0121L02698SB	PAINTED SIDE POST
501	11112501	SWITCH-PRESSURE
511	0121L02935	BRACKET, SUPPORT, TUBE
521	0121L03320	BRACKET, TUBE SUPPORT
NS	0160L00173	AIR FILTER 14X20X2 (QTY 4)
NS	A4568804	GROMMET-D
NS	0164G00005	GROMMET-HORSESHOW 1.675
NS	0121L02260	OD COIL BLOCKOFF ANGLE

**Expanded Model Nomenclature**

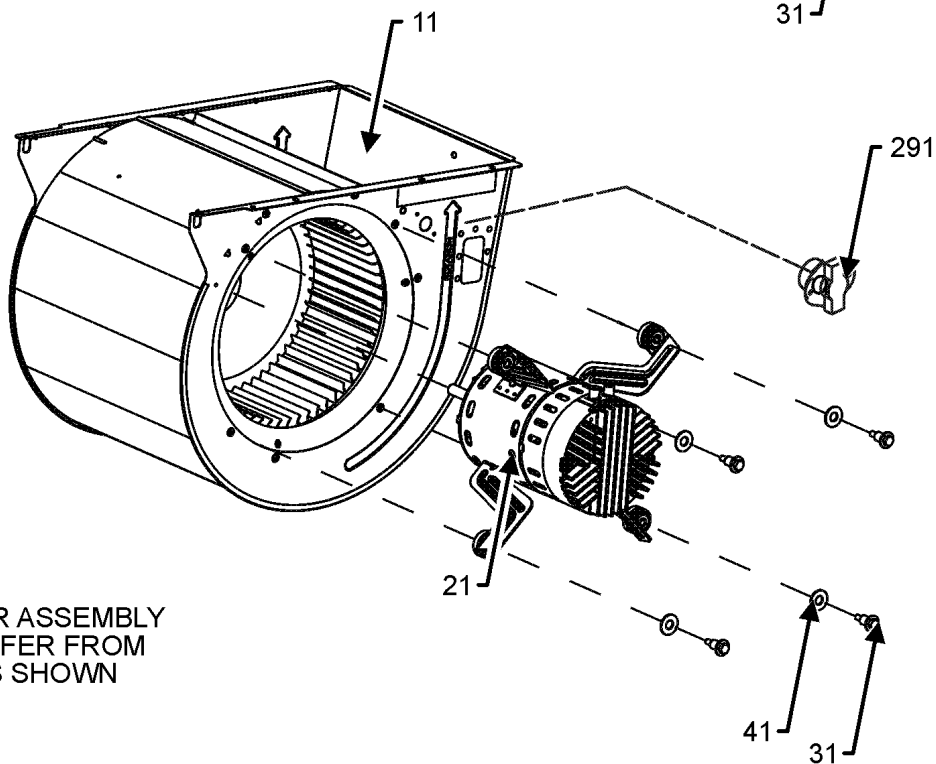
M1 - DRG0481DH00001SAA
M2 - DRG0481DL00001SAA
M3 - DRG0481DM00001SAA
M4 - DRG0483DH00001SAA
M5 - DRG0483DL00001SAA
M6 - DRG0483DM00001SAA
M7 - DRG0484DH00001SAA
M8 - DRG0484DL00001SAA
M9 - DRG0484DM00001SAA
M10 - DRG0487DH00001SAA
M11 - DRG0487DL00001SAA
M12 - DRG0487DM00001SAA

# BLOWER ASSEMBLY

## BLOWER ASSEMBLY 1



## BLOWER ASSEMBLY 2



BLOWER ASSEMBLY  
MAY DIFFER FROM  
WHAT IS SHOWN

# BLOWER ASSEMBLY

Ref. Part No:	Ref. Part No:	Description:	Description:
---------------	---------------	--------------	--------------

**Image 1:**

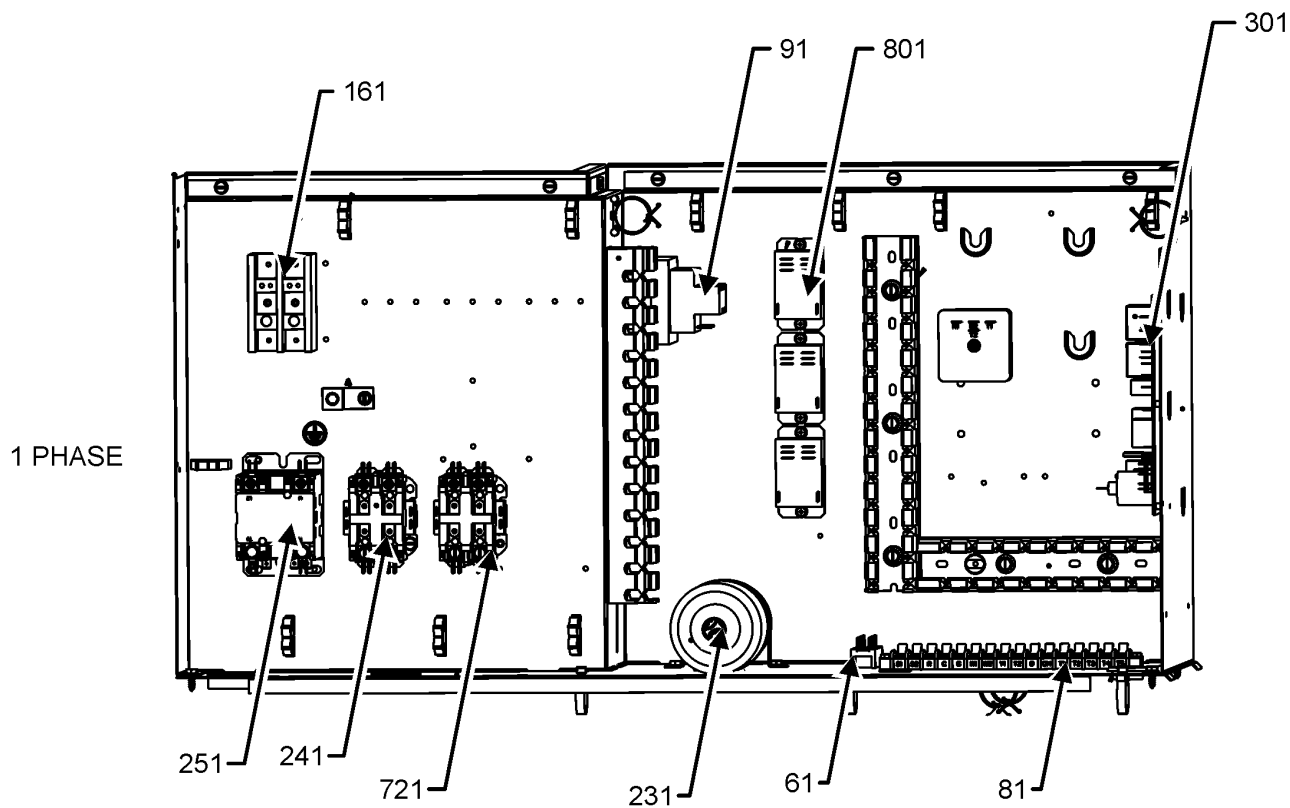
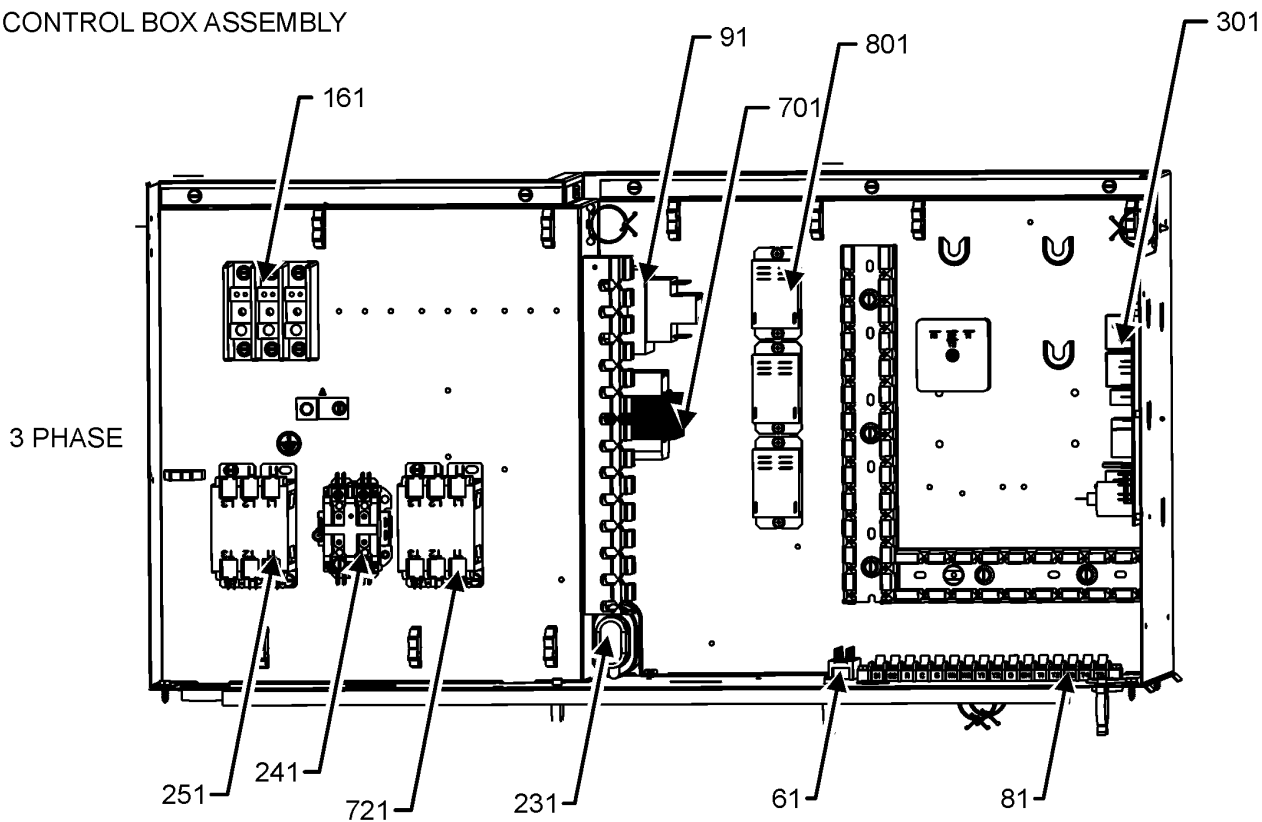
11	0271L00137	ASSY., BLOWER HOUSING (M7, M8, M9, M10, M11, M12)
11	0271L00133	ASSY., HOUSING, BLWR (M1, M2, M3, M4, M5,
21	0131L00101	MOTOR- PROGRAMMED (M1, M3, M4, M6)
21	0131L00143	MOTOR- PROGRAMMED (M8, M11)
21	0131L00251	MOTOR- PROGRAMMED (M2, M5)
21	0131L00252	MOTOR- PROGRAMMED (M9, M12)
21	0131L00253	MOTOR- PROGRAMMED (M7, M10)
31	M0250565	SCREW-TC 1.25" (QTY 4)
41	B1392918	WASHER, FLAT 1/4 ID X 1 OD (QTY 4)
51	0163A00008	MOTOR MOUNTING ARM (M1, M2, M3, M4, M5, M6)
61	10441601	BAND-MTR MOUNT (M1, M2, M3, M4, M5, M6)
81	M0267144	SCREW-MACH (M1, M2, M3, M4, M5, M6)
91	M0282015	NUT-KEPS (M1, M2, M3, M4, M5, M6)
291	20162904	LIMIT, PRIMARY

**Expanded Model Nomenclature**

M1 - DRG0481DH00001SAA
M2 - DRG0481DL00001SAA
M3 - DRG0481DM00001SAA
M4 - DRG0483DH00001SAA
M5 - DRG0483DL00001SAA
M6 - DRG0483DM00001SAA
M7 - DRG0484DH00001SAA
M8 - DRG0484DL00001SAA
M9 - DRG0484DM00001SAA
M10 - DRG0487DH00001SAA
M11 - DRG0487DL00001SAA
M12 - DRG0487DM00001SAA

# CONTROL BOX ASSEMBLY

CONTROL BOX ASSEMBLY



# CONTROL BOX ASSEMBLY

Ref. Part No:	Part No:	Description:	Ref. Part No:	Part No:	Description:
---------------	----------	--------------	---------------	----------	--------------

**#Type!**

251 CONT3P025024V CONT, 3 POLE, 25 AMP, 24 VAC (M7, M8, M9, M10, M11, M12)

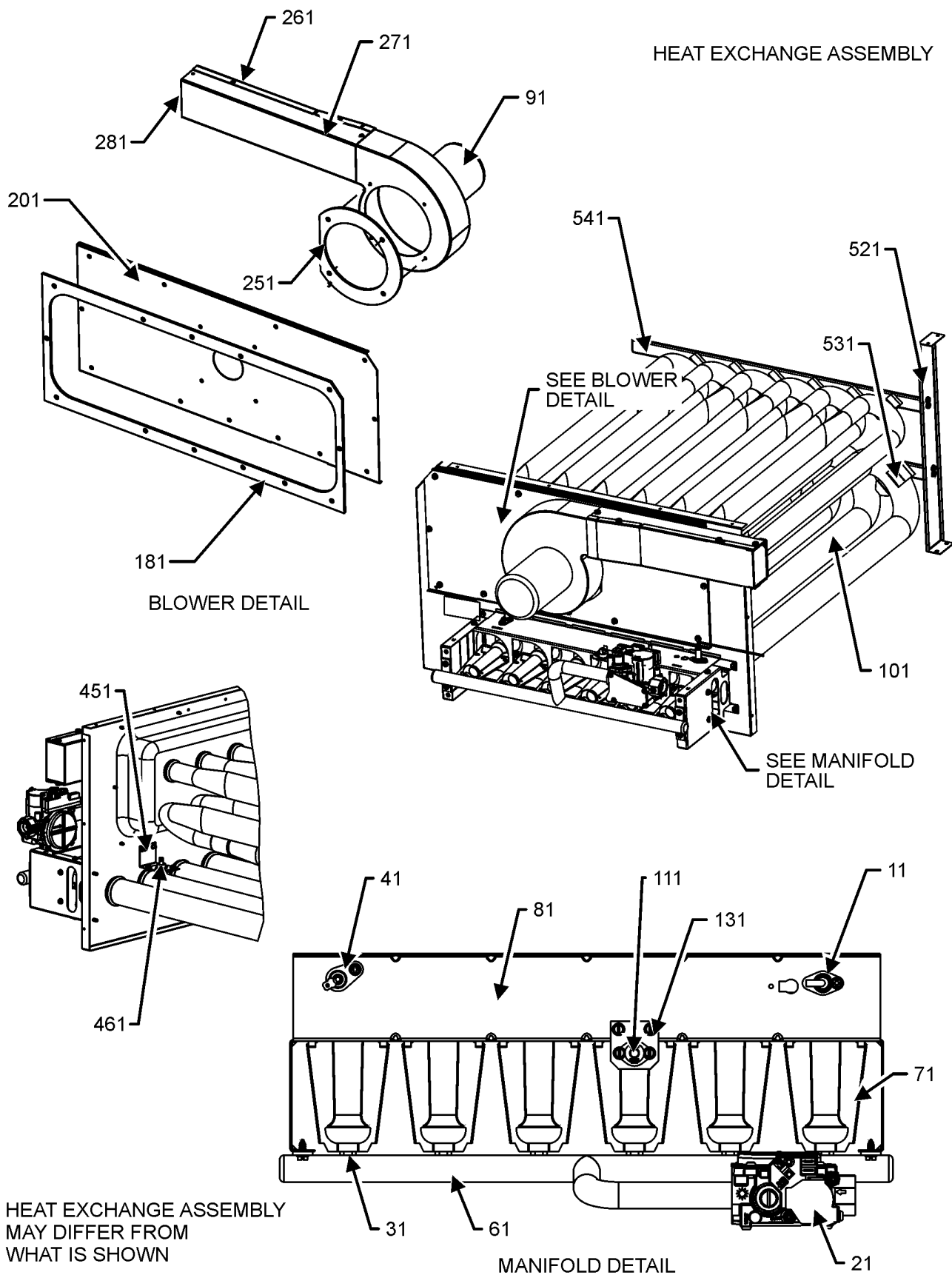
**Image 1:**

61 802007090 TERM BOARD  
 81 0130M00038 TERMINAL BOARD  
 91 0130M00598 TRANSFMR, 75VA, 575V TO 24V (M10, M11, M12)  
 91 0130M00595 TRANSFORMER, 75VA, 480V TO 24V (M7, M8, M9)  
 91 B1141654 TRANSFORMER, 208-240, 75VA, RESET (M1, M2, M3, M4, M5, M6)  
 161 16220-2 BLOCK-POWER (M1, M2, M3)  
 161 16220-3 BLOCK-POWER (M4, M5, M6, M7, M8, M9, M10, M11, M12)  
 231 CAP050000370LA CAP 5 MFD/370V/OVAL (M4, M5, M6)  
 231 CAP050300440CS CAP, 5/30MFD/440V/DUAL RD (M1, M2, M3)  
 241 CONT2P025024V CONT, 2 POLE, 25 AMP, 24 VAC  
 251 CONT3P025024V CONT, 3 POLE, 25 AMP, 24 VAC (M7, M8, M9, M10, M11, M12)  
 251 CONT3P030024V CONT, 3 POLE, 30 AMP, 24VAC (M4, M5, M6)  
 251 0130M00513 CONTACTOR (M1, M2, M3)  
 301 PCBAG123 PCB, IGNITION, DSI, INTEG  
 701 0130M00596 TRANSFMR, 150 VA, 480V TO 23 (M7, M8, M9)  
 701 0130M00597 TRANSFMR, 150 VA, 575V TO 230V (M10, M11, M12)  
 721 CONT2P025024V CONT, 2 POLE, 25 AMP, 24 VAC  
 721 CONT3P025024V CONT, 3 POLE, 25 AMP, 24 VAC (M7, M8, M9, M10, M11, M12)  
 801 0130M00178 DPDT RELAY 24 VAC (QTY 3)  
 NS B821700 BOOT, CAPACITOR (M4, M5, M6, M7, M8, M9, M10, M11, M12)  
 NS 0164M00079 BOOT-CAPACITOR, ROUND (M1, M2, M3)  
 NS 0130M00507 MOTOR POWER HARNESS (M1, M2, M3, M4, M5, M6)  
 NS 20520901 STRAP-CAPACITOR  
 NS 0130M00506 X-13 LOW VOLTAGE WIRE HARNESS (M1, M2, M3, M4, M5, M6)

**Expanded Model Nomenclature**

- M1 - DRG0481DH00001SAA
- M2 - DRG0481DL00001SAA
- M3 - DRG0481DM00001SAA
- M4 - DRG0483DH00001SAA
- M5 - DRG0483DL00001SAA
- M6 - DRG0483DM00001SAA
- M7 - DRG0484DH00001SAA
- M8 - DRG0484DL00001SAA
- M9 - DRG0484DM00001SAA
- M10 - DRG0487DH00001SAA
- M11 - DRG0487DL00001SAA
- M12 - DRG0487DM00001SAA

# HEAT EXCHANGE ASSEMBLY



# HEAT EXCHANGE ASSEMBLY

Ref. Part No: No:	Description:	Ref. Part No: No:	Description:
<b>Image 1:</b>		<b>Expanded Model Nomenclature</b>	
11	20261709	IGNITOR	M1 - DRG0481DH00001SAA
21	0151F00000P	GAS VALVE - WHITE-RODGERS 2-STAGE	M2 - DRG0481DL00001SAA
31	0163F00018	ORIFICE (QTY 6)	M3 - DRG0481DM00001SAA
41	0130F00010	FLAME SENSOR	M4 - DRG0483DH00001SAA
61	0163L00143	MANIFOLD, GAS 3 BURNER (M2, M5, M8, M11)	M5 - DRG0483DL00001SAA
61	0163L00029	MANIFOLD-GAS, 5 BURNER (M3, M6, M9, M12)	M6 - DRG0483DM00001SAA
61	0163L00025	MANIFOLD-GAS, 6 BURNER (M1, M4, M7, M10)	M7 - DRG0484DH00001SAA
71	0163F00017	BECKETT BURNER (QTY 6)	M8 - DRG0484DL00001SAA
81	0121L01362	BRACKET, BURNER 5 (M3, M6, M9, M12)	M9 - DRG0484DM00001SAA
81	0121L01363	BRACKET, BURNER 6 (M1, M4, M7, M10)	M10 - DRG0487DH00001SAA
81	0121L02668	BURNER BRACKET-3 (M2, M5, M8, M11)	M11 - DRG0487DL00001SAA
91	0131M00121	BLOWER-ID COMBUSTION (M2, M3, M5, M6, M8, M9, M11, M12)	M12 - DRG0487DM00001SAA
101	0270L01363	ASSY, PANEL, PARTITION/TUBE, 3 (M2, M5, M8, M11)	
101	0270L01361	ASSY, PANEL, PARTITION/TUBE, 5 (M3, M6, M9, M12)	
101	0270L01360	ASSY, PANEL, PARTITION/TUBE, 6 (M1, M4, M7, M10)	
111	10123532	MANUAL RESET LIMIT 350°F	
131	0121L00053	BRACKET-FLAME ROLLOUT	
181	0154L00018	GASKET-ID BLOWER PLATE 2,4 (M2, M5, M8, M11)	
181	0154L00017	GASKET-ID BLOWER PLATE 6 (M1, M3, M4, M6, M7, M9, M10, M12)	
201	0121L02663	PLATE, ID BLOWER (M3, M6, M9, M12)	
201	0121L03434	PLATE, ID BLOWER (M1, M4, M7, M10)	
201	0121L03548	PLATE, ID BLOWER (M2, M5, M8, M11)	
251	0154L00020	GASKET-ID BLOWER (M2, M3, M5, M6, M8, M9, M11, M12)	
261	0121L00277	FLUE-CHANNEL (M2, M3, M5, M6, M8, M9, M11, M12)	
271	0121L00278	FLUE-SIDE COVER (M2, M3, M5, M6, M8, M9, M11, M12)	
281	0163L00072	SCREEEN-FLUE	
451	0121L03948	BRACKET, PRIMARY LIMIT	
461	0130F00035	LIMIT, PRIMARY (M1, M3, M4, M6, M7, M9, M10, M12)	
461	20162901	LIMIT, PRIMARY (M2, M5, M8, M11)	
521	0121L03320	BRACKET, TUBE SUPPORT	
531	0121L03125	BRACKET, TUBE (QTY 6)	
541	0121L02935	BRACKET, SUPPORT, TUBE	
NS	0121F00468	ORIFICE BRACKET-BURNER 3 (M2, M5, M8, M11)	
NS	0121F00466	ORIFICE BRACKET-BURNER 5 (M3, M6, M9, M12)	
NS	0121F00465	ORIFICE BRACKET-BURNER 6 (M1, M4, M7, M10)	

# ACCESSORY PARTS LIST

NOTE: NOT ALL OPTIONS AVAILABLE FOR ALL PRODUCTS

FOR ACCESSORY PARTS SEE THE FOLLOWING PART MANUAL

**RP-FIOPSC\***

**RP-EHS[D/B]SC\***

**RP-EHX[D/B]SC\***



# ACCESSORY PARTS

Ref. Part No:	No:	Description:	Ref. Part No:	No:	Description:
---------------	-----	--------------	---------------	-----	--------------

---

**Image 1:**

NS	RP-FIOPSC*	ACCESSORY RP MANUAL
NS	RP-EHS(D/B)SC*	HEATER KIT RP MANUAL
NS	RP-EHX(D/B)SC*	HEATER KIT RP MANUAL

**Expanded Model Nomenclature**

- M1 - DRG0481DH00001SAA
- M2 - DRG0481DL00001SAA
- M3 - DRG0481DM00001SAA
- M4 - DRG0483DH00001SAA
- M5 - DRG0483DL00001SAA
- M6 - DRG0483DM00001SAA
- M7 - DRG0484DH00001SAA
- M8 - DRG0484DL00001SAA
- M9 - DRG0484DM00001SAA
- M10 - DRG0487DH00001SAA
- M11 - DRG0487DL00001SAA
- M12 - DRG0487DM00001SAA