



REPAIR PARTS

GSX13 Remote Condensing Unit

GSX130301LC
GSX130421BK
GSX130481BH
GSX130601BJ
GSX130611AE



This manual is to be used by qualified technicians only.

This manual replaces RP-G4324.

© 2020 - 2021 Goodman Manufacturing Company, L.P. ♦ 5151 San Felipe St, Suite 500 ♦ Houston, TX 77056

Important Information

Index

Functional Parts List	3
Illustration and Parts	4 - 9

Views shown are for parts illustrations only, not servicing procedures.

Text Codes:

AR - As Required

NA - Not Available

NS - Not Shown

00000000 - See Note

QTY - Quantity Example (QTY 3) (If Quantity not shown, Quantity = 1)

M - Model Example (M1) (If M Code not shown, then part is used on all Models)

Expanded Model Nomenclature:

Example M1 - Model#1 M2 - Model#2 M3 - Model#3

Goodman Manufacturing Company, L.P. is not responsible for personal injury or property damage resulting from improper service. Review all service information before beginning repairs.

Warranty service must be performed by an authorized technician, using authorized factory parts. If service is required after the warranty expires, Goodman Manufacturing Company, L.P. also recommends contacting an authorized technician and using authorized factory parts.

Goodman Manufacturing Company, L.P. reserves the right to discontinue, or change at any time, specifications or designs without notice or without incurring obligations.

For assistance within the U.S.A. contact:
Homeowner Support
Goodman Manufacturing Company, L.P.
19001 Kermier Road
Waller, Texas 77484
877-254-4729-Telephone
713-863-2382-Facsimile

For assistance outside the U.S.A. contact:
International Division
Goodman Manufacturing Company, L.P.
19001 Kermier Road
Waller, Texas 77484
713-861-2500-Telephone
713-863-2382-Facsimile

Functional Parts

Part

No: Description:

0151R00185	BASE VALVE 3/4" (M1)
0151R00187	BASE VALVE 3/8"
0151R00186	BASE VALVE 7/8" (M2, M3, M4, M5)
CAP050450440CT	CAP, 5/45 MFD/440V/DUAL RD (M2, M3)
CAP050500440CT	CAP, 5/50 MFD/440V/DUAL RD (M1)
CAP050700440CT	CAP, 5/70 MFD/440V/DUAL RD (M4, M5)
ZP34K5EPFV130	COMP,34500,208/230/60/1 (M2)
ZP39K5EPFV130	COMP,39000,208/230/60/1 (M3)
ZP49K5EPFV130	COMP,49400,208/230/60/1 (M4)
ZP51K5EPFV130	COMP,51000,208/230/60/1 (M5)
CONT1P025024V	CONTACTOR 25 AMP, 1P, 24V (M1, M2)
CONT1P030024V	CONTACTOR 30 AMP, 1P, 24V (M3, M4, M5)
0130M00089	CUT-OUT SWITCH, HIGH PRESSURE (M1)
0150M00041	FAN BLADE (M1)
B1086750	FAN BLADE, 22", 3 BLADE,24 DEG (M2, M3, M4)
0150M00066	FAN BLADE, 26" (M5)
0131M00968	MOTOR, 1/4HP, 1SP, 8PL, AL (M5)
0131M00969	MOTOR, 1/8HP, 8PL, PSC (M1)
0131M00954	MOTOR, OD, PSC, 1/4HP (M2, M3, M4)

SPECIAL PARTS

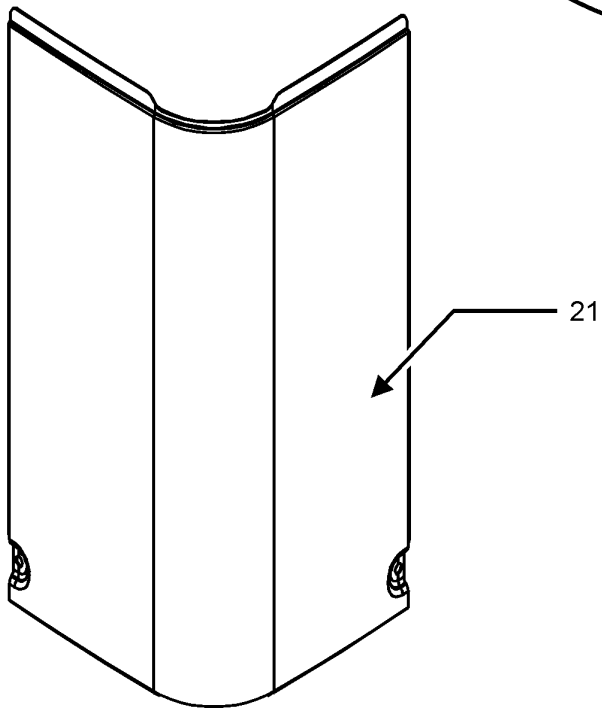
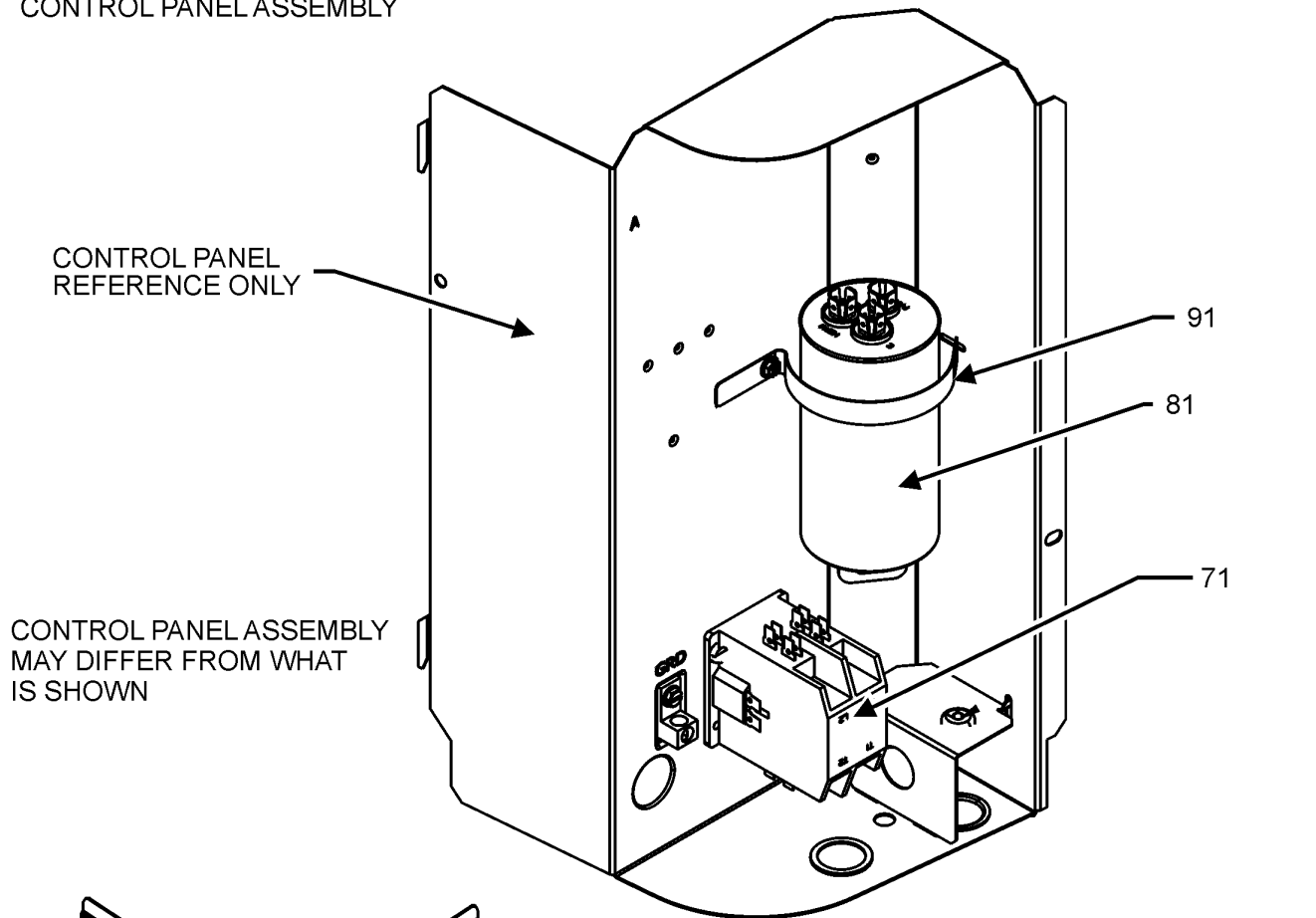
0161R00092 NAMEPLATE, GOODMAN

Expanded Model Nomenclature

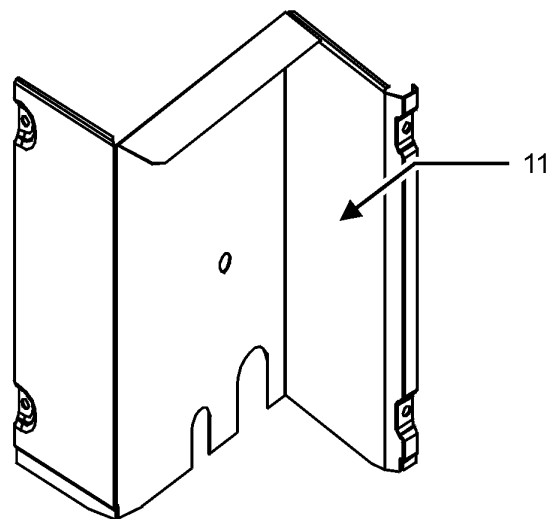
M1 - GSX130301LC
M2 - GSX130421BK
M3 - GSX130481BH
M4 - GSX130601BJ
M5 - GSX130611AE

Control Box Assembly

CONTROL PANEL ASSEMBLY



UPPER ACCESS COVER



LOWER ACCESS PANEL

Control Box Assembly

Ref. Part No:	No:	Description:	Ref. Part No:	No:	Description:
---------------	-----	--------------	---------------	-----	--------------

Image 1:

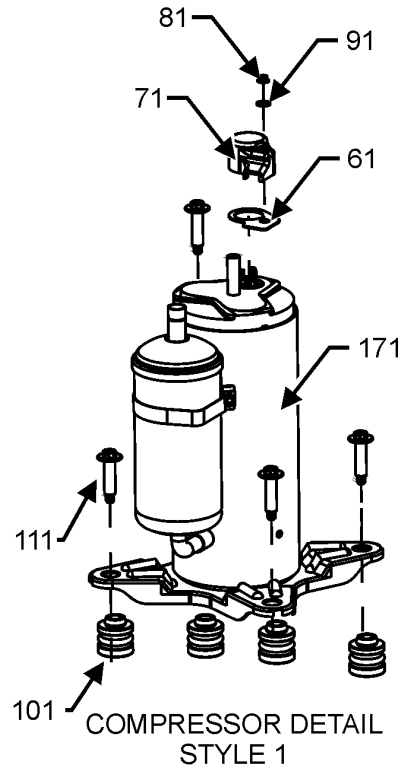
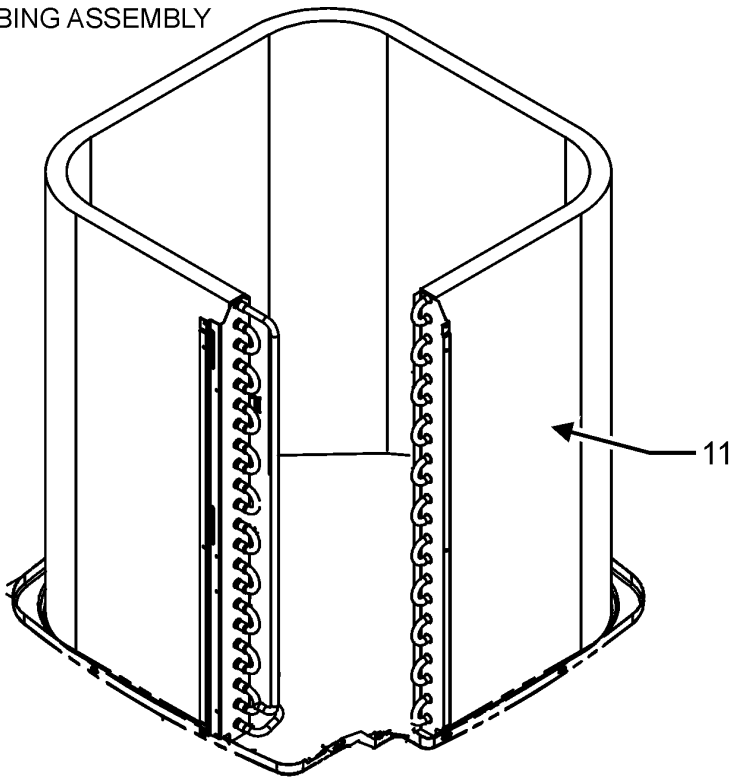
11	0121R00909PDG	PNL, LWR ACCESS (M4)
11	0121R00912PDG	PNL, LWR ACCESS (M2, M3, M5)
11	0121R00919PDG	PNL, LWR ACCESS (M1)
21	0121R00053PDG	CONTROL COVER
71	CONT1P025024V	CONTACTOR 25 AMP, 1P, 24V (M1, M2)
71	CONT1P030024V	CONTACTOR 30 AMP, 1P, 24V (M3, M4, M5)
81	CAP050450440CT	CAP, 5/45 MFD/440V/DUAL RD (M2, M3)
81	CAP050500440CT	CAP, 5/50 MFD/440V/DUAL RD (M1)
81	CAP050700440CT	CAP, 5/70 MFD/440V/DUAL RD (M4, M5)
91	4400065	CAPACITOR STRAP
NS	0161R00092	NAMEPLATE, GOODMAN

Expanded Model Nomenclature

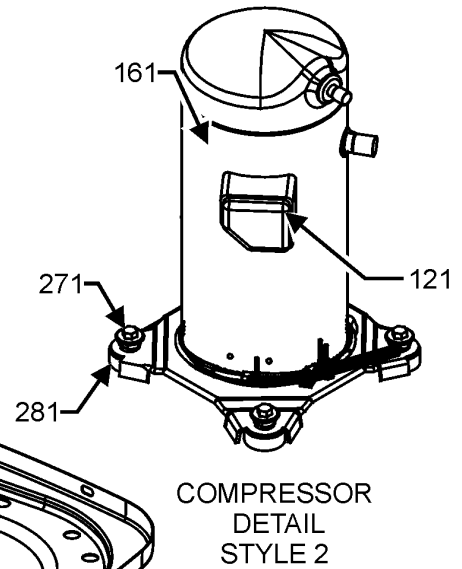
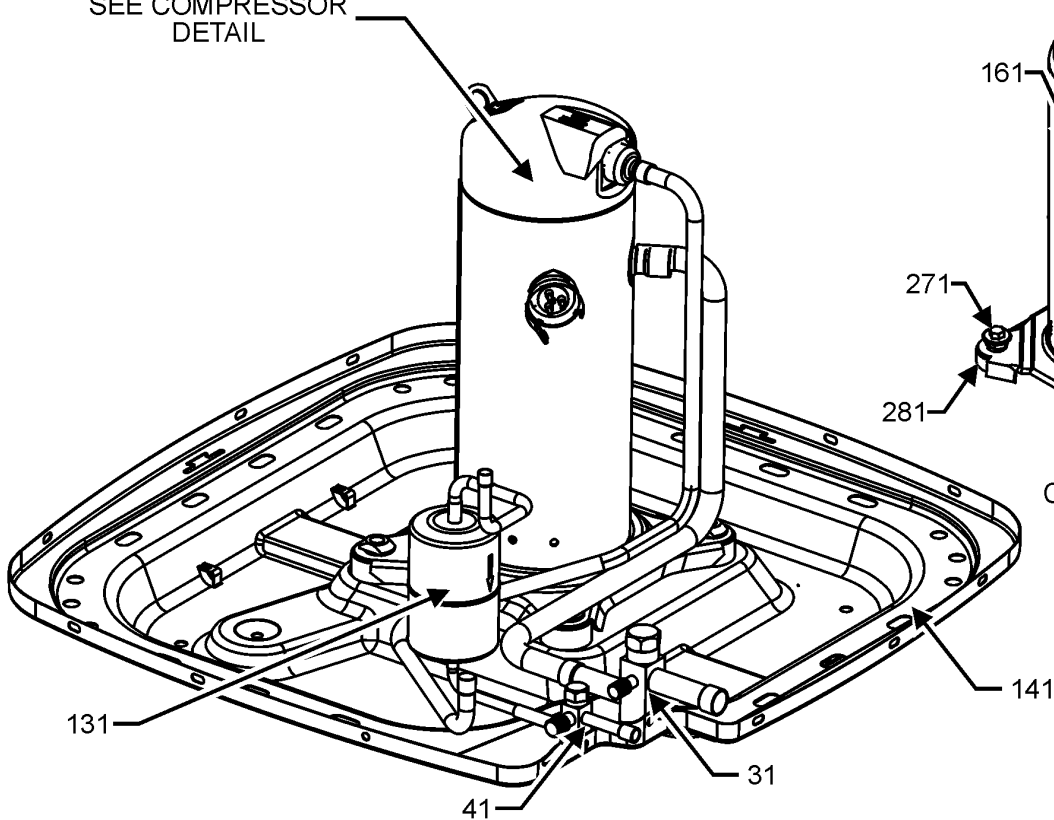
M1 - GSX130301LC
M2 - GSX130421BK
M3 - GSX130481BH
M4 - GSX130601BJ
M5 - GSX130611AE

Compressor and Tubing Assembly

TUBING ASSEMBLY



SEE COMPRESSOR
DETAIL



TUBING ASSEMBLY MAY DIFFER FROM WHAT IS SHOWN

Compressor and Tubing Assembly

Ref. Part No:	Part No:	Description:	Ref. Part No:	Part No:	Description:
---------------	----------	--------------	---------------	----------	--------------

Image 1:

11	0201R00349	COIL TUBING ASSY (M4)
11	0201R00385	COIL TUBING ASSY (M5)
11	0201R00472	COIL TUBING ASSY (M2, M3)
11	0201R00666	COIL TUBING ASSY (M1)
31	0151R00185	BASE VALVE 3/4" (M1)
31	0151R00186	BASE VALVE 7/8" (M2, M3, M4, M5)
41	0151R00187	BASE VALVE 3/8"
61	60100107	TERMINAL COVER GASKET (M1)
71	60100317	TERMINAL COVER (M1)
81	60100401	TERMINAL NUT - RECHI COMP (M1)
91	60100201	WASHER - RECHI COMPRESSOR (M1)
101	60140209	GROMMET - RECHI COMPRESSOR (M1)
111	0163M00186	SCREW-SHOULDER TF (M1)
121	0159R00001P	HARNESS, COMP SCROLL 130 42" (M2, M3)
121	0159R00017	HARNESS, COMP-SCROLL (M4, M5)
121	0159R00017	HARNESS, COMP-SCROLL (M4, M5)
131	0162R00057	FILTER DRIER
141	0121R00005PDG	BASE PAN, 26" PNT (M1)
141	0121R00006PDG	BASE PAN, 29" PNT (M2, M3, M4)
141	0121R00007PDG	BASE PAN, 35.5" PNT (M5)
161	ZP34K5EPFV130	COMP,34500,208/230/60/1 (M2)
161	ZP39K5EPFV130	COMP,39000,208/230/60/1 (M3)
161	ZP49K5EPFV130	COMP,49400,208/230/60/1 (M4)
161	ZP51K5EPFV130	COMP,51000,208/230/60/1 (M5)
171	50N6229V-ZAKM	2.5 TON RECHI COMPR. 4 LEGS (M1)
271	M0221641	TF SHOULDER SCREW (M2, M3, M4, M5)
281	B1339533	COMPRESSOR GROMMET (M2, M3, M4, M5)
NS	0130M00089	CUT-OUT SWITCH, HIGH PRESSURE (M1)
NS	B1789867	FLOW CHECK PISTON KIT (M1)
NS	B1789876	FLOW CHECK PISTON KIT (M2)
NS	B1789880	FLOW CHECK PISTON KIT (M3)
NS	B1789886	FLOW CHECK PISTON KIT (M4, M5)

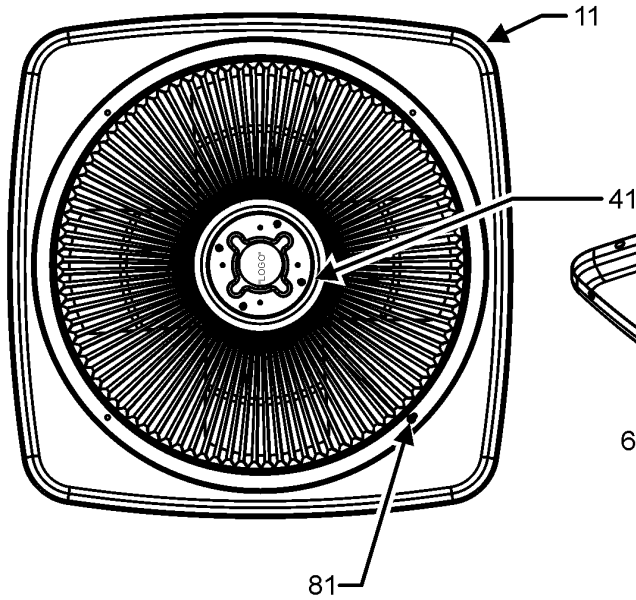
Expanded Model Nomenclature

- | |
|------------------|
| M1 - GSX130301LC |
| M2 - GSX130421BK |
| M3 - GSX130481BH |
| M4 - GSX130601BJ |
| M5 - GSX130611AE |

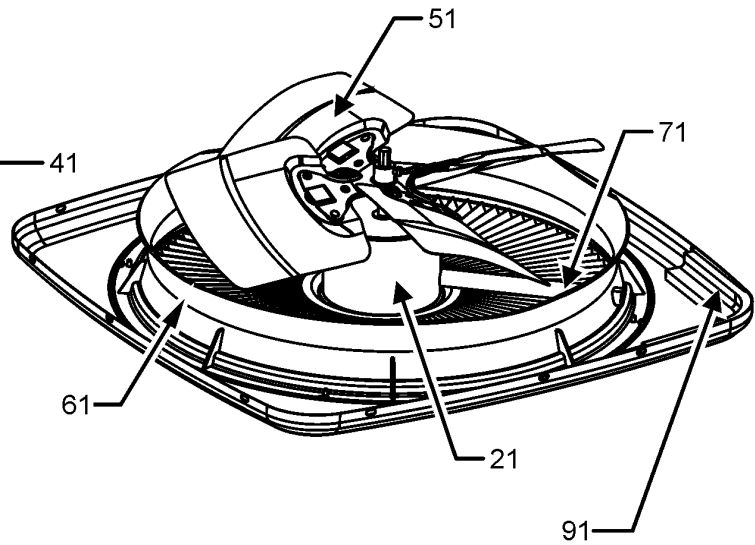
Cabinet Top and Side Panel Assembly

TOP PANEL AND LOUVER PANEL ASSEMBLY

TOP VIEW

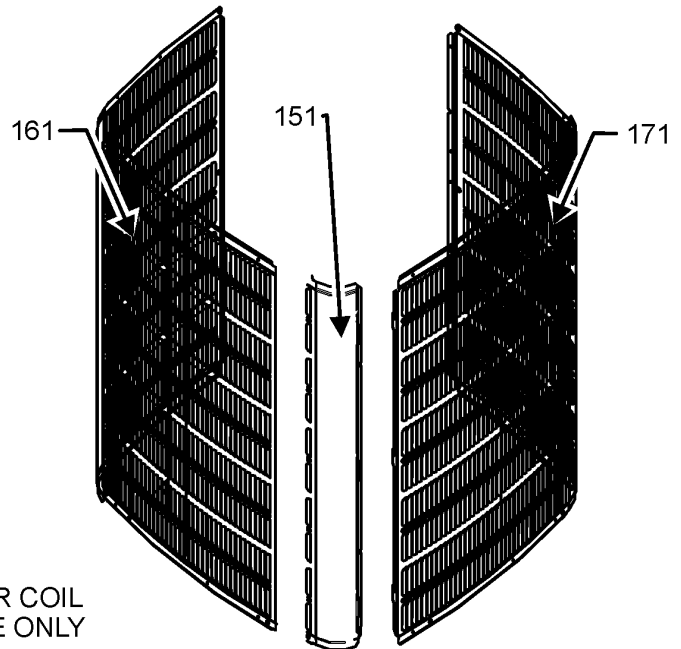
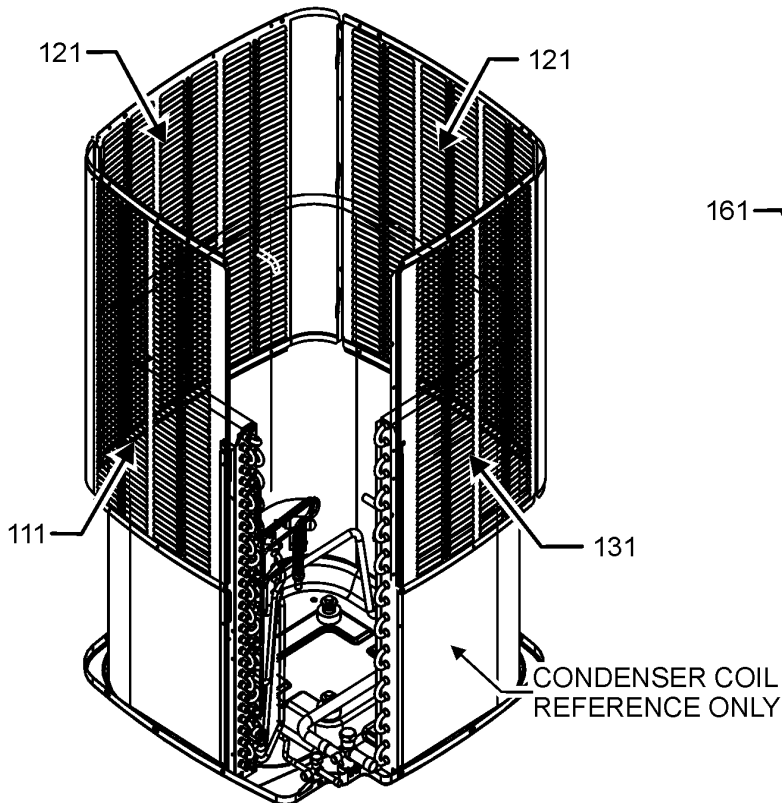


BOTTOM VIEW



LOUVER PANEL ASSEMBLY STYLE 1

LOUVER PANEL ASSEMBLY STYLE 2



TOP PANEL AND LOUVER PANEL ASSEMBLY MAY DIFFER FROM WHAT IS SHOWN

Cabinet Top and Side Panel Assembly

Ref. Part No:	Part No:	Description:	Ref. Part No:	Part No:	Description:
---------------	----------	--------------	---------------	----------	--------------

Image 1:

11	0121R00008PDG	PANEL, TOP 26" PNT (M1)			
11	0121R00010PDG	PANEL, TOP 29" PNT (M2, M3, M4)			
11	0121R00269PDG	Top Panel, 35" Pnt (M5)			
21	0131M00968	MOTOR, 1/4HP, 1SP, 8PL, AL (M5)			
21	0131M00969	MOTOR, 1/8HP, 8PL, PSC (M1)			
21	0131M00954	MOTOR, OD, PSC, 1/4HP (M2, M3, M4)			
41	0163M00006P	ACORN NUT 5/16 HEX BLACK (QTY 4)			
51	0150M00041	FAN BLADE (M1)			
51	B1086750	FAN BLADE, 22", 3 BLADE, 24 DEG (M2, M3, M4)			
51	0150M00066	FAN BLADE, 26" (M5)			
61	0161R00007P	RING, VENTURI 35" (M5)			
61	0161L00000	RING-VENTURI 22 (M2, M3, M4)			
71	0161R00001P	CONDUIT (M1)			
71	0161R00002P	CONDUIT (M2, M3, M4)			
71	0161R00004P	CONDUIT (M5)			
81	0163M00003P	SCREW #10 X 1/2, A, SLOT, SR, BLACK (M1)			
81	0163M00004	SCREW #10X3/4", BLACK (M2, M3, M4, M5)			
91	0154R00006	GASKET, CONTROL PANEL			
111	0121R00228PDG	PANEL 1, LOUVER 35, 5MM, PNT (M5)			
121	0121R00231PDG	PANEL 2, LOUVER 35, 5MM, PNT (M5)			
131	0121R00234PDG	PANEL 3, LOUVER 35, 5MM, PNT (M5)			
151	0121R00350PDG	Louver Post, PDG 28.73 (M1)			
151	0121R00352PDG	Louver Post, PDG 32.51 (M2, M3)			
151	0121R00354PDG	Louver Post, PDG 36.30 (M4)			
161	0121R00337PDGLS	Louver Panel, PDG 26" _28.73 (M1)			
161	0121R00344PDGLS	Louver Panel, PDG 29" _32.51 (M2, M3)			
161	0121R00346PDGLS	Louver Panel, PDG 29" _36.30 (M4)			
171	0121R00337PDGRS	Louver Panel, PDG 26" _28.73 (M1)			
171	0121R00344PDGRS	Louver Panel, PDG 29" _32.51 (M2, M3)			
171	0121R00346PDGRS	Louver Panel, PDG 29" _36.30 (M4)			
NS	0163M00005P	WASHER, BLACK (.50 OD .218D) (QTY 4)			

Expanded Model Nomenclature

M1 - GSX130301LC
M2 - GSX130421BK
M3 - GSX130481BH
M4 - GSX130601BJ
M5 - GSX130611AE