
GMVC 96% Two Stage Variable Speed UF Furnace

GMVC960403BNBA
GMVC960403BNBB
GMVC960403BNBC
GMVC960603BNBA
GMVC960603BNBB
GMVC960603BNBC
GMVC960803BNBA
GMVC960803BNBB
GMVC960803BNBC
GMVC960804CNBA
GMVC960804CNBB
GMVC960804CNBC
GMVC961005CNBA
GMVC961005CNBB
GMVC961005DNBA
GMVC961005DNBB
GMVC961205DNBA
GMVC961205DNBB



This manual is to be used by qualified technicians only.

This manual replaces RP-G2315A.

© 2018 , 2020 - 2021 Goodman Manufacturing Company, L.P. ♦ 5151 San Felipe St, Suite 500 ♦ Houston, TX 77056

Important Information

Index

Functional Parts List	3
Illustration and Parts	4 - 11

Views shown are for parts illustrations only, not servicing procedures.

Text Codes:

AR - As Required

NA - Not Available

NS - Not Shown

00000000 - See Note

QTY - Quantity Example (QTY 3) (If Quantity not shown, Quantity = 1)

M - Model Example (M1) (If M Code not shown, then part is used on all Models)

Expanded Model Nomenclature:

Example M1 - Model#1 M2 - Model#2 M3 - Model#3

Goodman Manufacturing Company, L.P. is not responsible for personal injury or property damage resulting from improper service. Review all service information before beginning repairs.

Warranty service must be performed by an authorized technician, using authorized factory parts. If service is required after the warranty expires, Goodman Manufacturing Company, L.P. also recommends contacting an authorized technician and using authorized factory parts.

Goodman Manufacturing Company, L.P. reserves the right to discontinue, or change at any time, specifications or designs without notice or without incurring obligations.

For assistance within the U.S.A. contact:
Homeowner Support
Goodman Manufacturing Company, L.P.
19001 Kermier Road
Waller, Texas 77484
877-254-4729-Telephone
713-863-2382-Facsimile

For assistance outside the U.S.A. contact:
International Division
Goodman Manufacturing Company, L.P.
19001 Kermier Road
Waller, Texas 77484
713-861-2500-Telephone
713-863-2382-Facsimile

Functional Parts

Part

No: Description:

20162904	*PRIMARY LIMIT-TEMPERATURE CONTROL (M1, M2, M3, M7, M8, M9, M10, M11, M12)
0130F00038	AUX LIMIT - LT BLUE 120° (QTY 2)
SHARED DATA	Available thru CoolCloud HVAC app.
0163F00017	BECKETT BURNER (QTY 2)
0271F00181	BLOWER HSG ASSY (M1, M2, M3)
0271F00161	BLOWER SHELL & WHEEL ASSY (M10, M11, M12, M13, M14)
0271F00163	BLOWER SHELL & WHEEL ASSY (M15, M16, M17, M18)
0271F00159	BLOWER SHELL & WHEEL ASSY (M4, M5, M6, M7, M8, M9)
0130F00010	FLAME SENSOR
0151M00027	GAS VALVE
0257F00239	HEAT EXCHANGER ASSY (M7, M8, M9)
0257F00333	HEAT EXCHANGER ASSY (M17, M18)
0257F00240	HEAT EXCHANGER ASSY (M10, M11, M12)
0257F00374	HEAT EXCHANGER ASSY (M4, M5, M6)
0257F00236	HEAT EXCHANGER ASSY (M1, M2, M3)
0257F00280	HEAT EXCHANGER ASSY (M13, M14)
0257F00440	HEAT EXCHANGER ASSY. (M15, M16)
0130F00008	IGNITOR-SINI 17 SEC
0130M00141	INDUCTOR, 5.9 AMPS (M10, M11, M12, M13, M14, M15, M16, M17, M18)
0130M00243	INTERLOCK SWITCH
10123527	MANUAL RESET LIMIT (M15, M16, M17, M18)
0130F00123	MANUAL RESET LIMIT (M7, M8, M9, M10, M11, M12)
10123534	MANUAL RESET LIMIT 220°F (M13, M14)
10123539	MANUAL RESET LIMIT-ORANGE (M1, M2, M3, M4, M5, M6)
0131M00272	MOTOR, 1 HP, SERIAL ECM (M13, M14, M15, M16, M17, M18)
0131M01002	MOTOR, 1/2 HP (M3, M6, M9)
0131M00270	MOTOR, 1/2 HP, SERIAL ECM (M1, M2, M4, M5, M7, M8)
0131M01003	MOTOR, 3/4 HP (M12)
0131M00271	MOTOR, 3/4 HP, SERIAL ECM (M10, M11)
0171M00002	MOTOR-ID, BLOWER
PCBKF107	PCB, CONTROL BOARD (M1, M4, M7, M10, M13, M15, M17)
PCBKF109	PCB, CONTROL BOARD (M2, M3, M5, M6, M8, M9, M11, M12, M14, M16, M18)
0130F00443	PRESSURE SWITCH (M15, M16, M17, M18)
0130F00436	PRESSURE SWITCH (M7, M8, M9, M10, M11, M12)
0130F00434	PRESSURE SWITCH (M13, M14)
0130F00433	PRESSURE SWITCH (M1, M2, M3, M4, M5, M6)
0130F00485	PRESSURE SWITCH (M1, M2, M3)
0130F00429	PRESSURE SWITCH (M4, M5, M6, M7, M8, M9, M10, M11, M12, M13, M14, M15, M16, M17, M18)
0130F00036	PRIMARY LIMIT - PINK 180° (M15, M16, M17, M18)
20162906	PRIMARY LIMIT - WHITE (M4, M5, M6, M13, M14)
0130M00140	TRANSFORMER 120V TO 24V, 40VA
0150M00043	WHEEL, BLOWER 10X8 (M1, M2, M3)

Expanded Model Nomenclature

M1 - GMVC960403BNBA
M2 - GMVC960403BNBB
M3 - GMVC960403BNBC
M4 - GMVC960603BNBA
M5 - GMVC960603BNBB
M6 - GMVC960603BNBC
M7 - GMVC960803BNBA
M8 - GMVC960803BNBB
M9 - GMVC960803BNBC
M10 - GMVC960804CNBA
M11 - GMVC960804CNBB
M12 - GMVC960804CNBC
M13 - GMVC961005CNBA
M14 - GMVC961005CNBB
M15 - GMVC961005DNBA
M16 - GMVC961005DNBB
M17 - GMVC961205DNBA
M18 - GMVC961205DNBB

SPECIAL PARTS

0161F00086	NAMEPLATE, GOODMAN
------------	--------------------

Cabinet Assembly

IMAGE 1

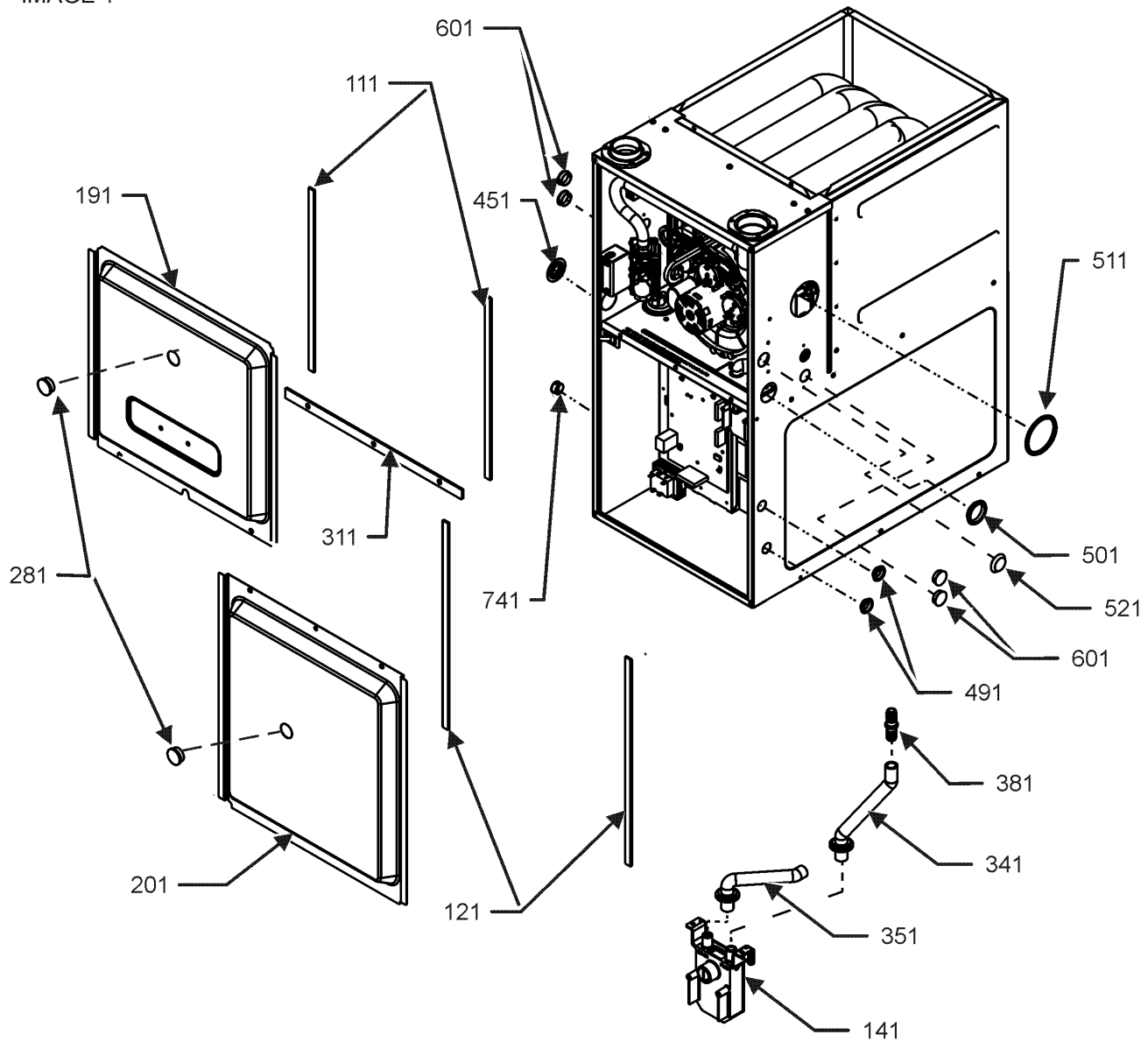
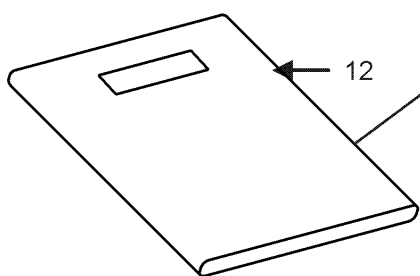
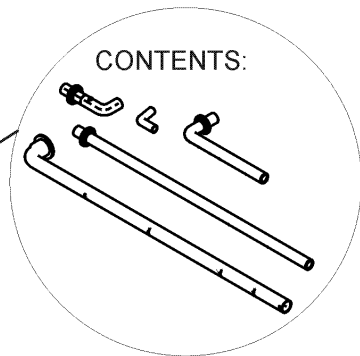
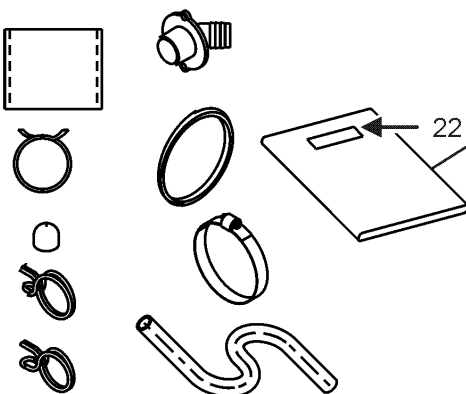


IMAGE 2



CONTENTS:



Cabinet Assembly

Ref. Part No:	Part No:	Description:	Ref. Part No:	Part No:	Description:
---------------	----------	--------------	---------------	----------	--------------

Image 1:

111	0154F00024	GASKET (QTY 2)
121	0154F00025	GASKET (QTY 2)
141	0161F00046	DRAIN TRAP
191	0121F00291DG	DOOR, ACCESS 17.5 PNT (M1, M2, M3, M4, M5, M6, M7, M8, M9)
191	0121F00292DG	DOOR, ACCESS 21 PNT (M10, M11, M12, M13, M14)
191	0121F00293DG	DOOR, ACCESS 24.5 PNT (M15, M16, M17, M18)
201	0121F00288DG	DOOR, BLOWER 17.5 PNT (M1, M2, M3, M4, M5, M6, M7, M8, M9)
201	0121F00289DG	DOOR, BLOWER 21 PNT (M10, M11, M12, M13, M14)
201	0121F00290DG	DOOR, BLOWER 24.5 PNT (M15, M16, M17, M18)
281	B1392139	VIEW PORT BUSHING-BLOWER DOOR (QTY 2)
311	0154F00020	GASKET, DECK (M1, M2, M3, M4, M5, M6, M7, M8, M9)
311	0154F00021	GASKET, DECK (M10, M11, M12, M13, M14)
311	0154F00022	GASKET, DECK (M15, M16, M17, M18)
341	0164F00017	HOSE-ELBOW/TRAP
351	0164F00006	HOSE, COVER/TRAP (M17, M18)
351	0164F00024	HOSE, COVER/TRAP (M1, M2, M3, M4, M5, M6, M7, M8, M9, M10, M11, M12, M13, M14, M15, M16)
381	0161F00047	COUPLING, HOSE BARBED
451	M0501301	PIPE GROMMET
491	M0570808	BUTTON PLUG (QTY 3)
501	M0570806	BUTTON PLUG
511	M0570807	BUTTON PLUG
521	0161M00027	PLUG, HOLE
601	B1392021	PLASTIC PLUG, 1" (2713-BLK) (QTY 4)
741	B1392104	UNIVERSAL BUSHING UB 875
NS	M0310345	BUTTON PLUG (QTY 2)
NS	0163M00460	CLAMP-HOSE (QTY 2)
NS	0163M00319	HEX NUT-INSERT (QTY 3)
NS	0161F00086	NAMEPLATE, GOODMAN
NS	M0273904	RETAINER-SCREW (QTY 3)
NS	M0209730	SCREW-DECORATIVE (QTY 3)

Image 2:

12	0270F05248	DRAIN KIT ASSY
22	0270F05248	DRAIN KIT ASSY

Expanded Model Nomenclature

M1 - GMVC960403BNBA
M2 - GMVC960403BNBB
M3 - GMVC960403BNBC
M4 - GMVC960603BNBA
M5 - GMVC960603BNBB
M6 - GMVC960603BNBC
M7 - GMVC960803BNBA
M8 - GMVC960803BNBB
M9 - GMVC960803BNBC
M10 - GMVC960804CNBA
M11 - GMVC960804CNBB
M12 - GMVC960804CNBC
M13 - GMVC961005CNBA
M14 - GMVC961005CNBB
M15 - GMVC961005DNBA
M16 - GMVC961005DNBB
M17 - GMVC961205DNBA
M18 - GMVC961205DNBB

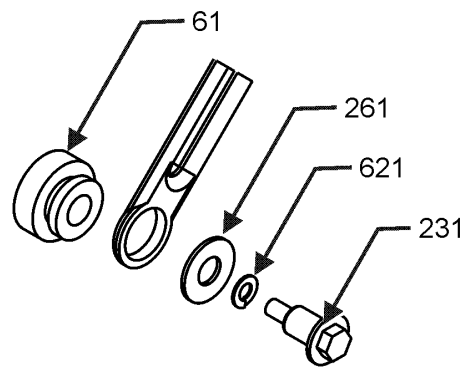
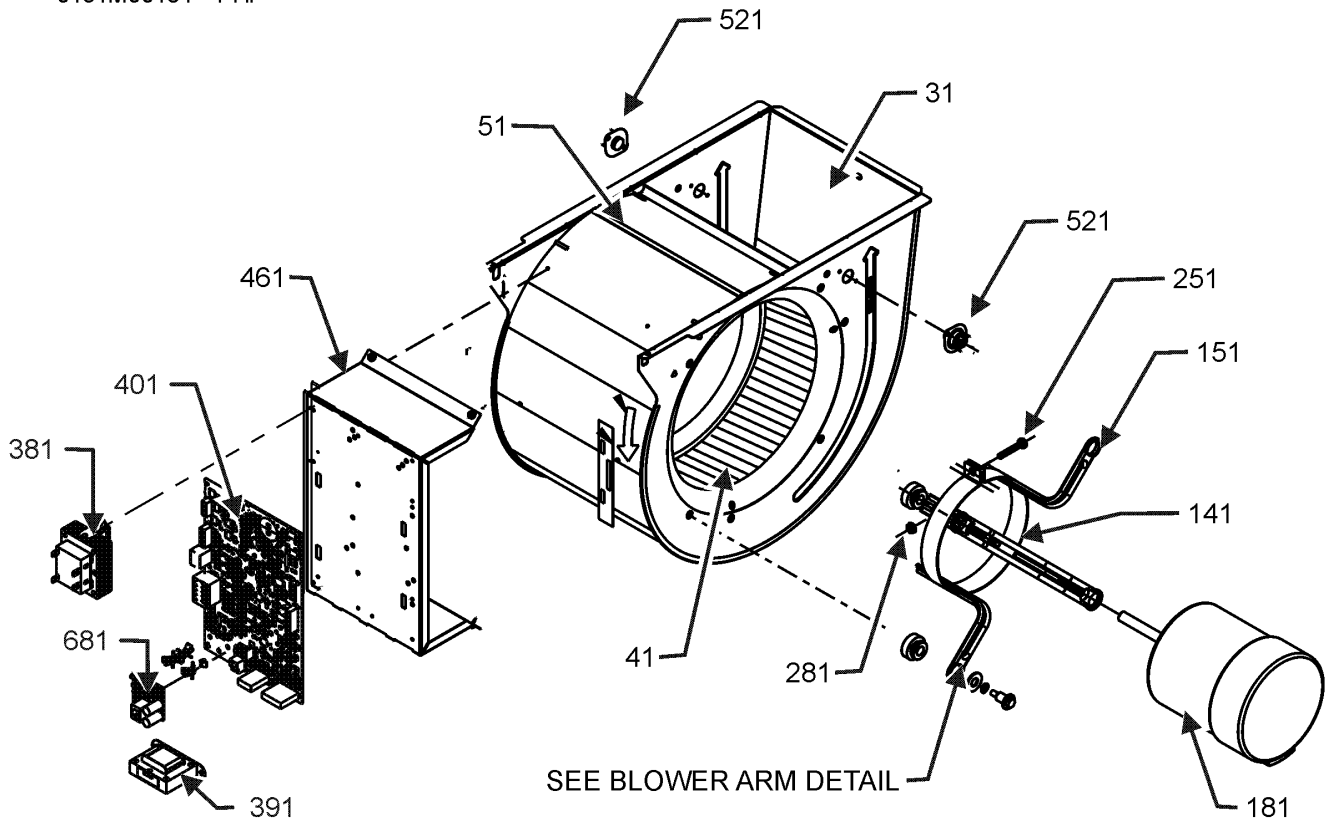
Blower Assembly

*If end bells are needed please order the following:

0131M00182 - 1/2 HP

0131M00183 - 3/4 HP

0131M00184 - 1 HP

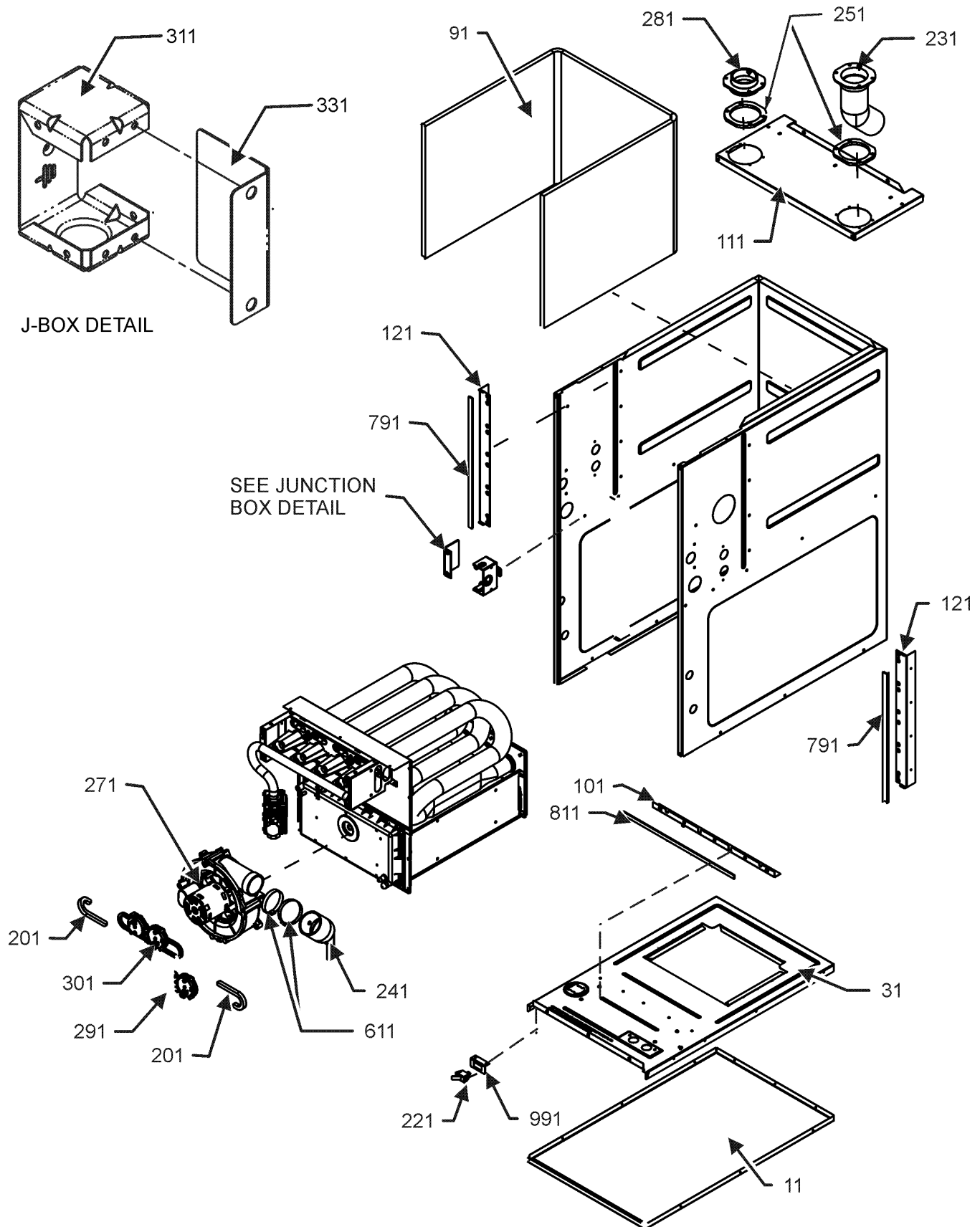


BLOWER ARM DETAIL

Blower Assembly

Ref. Part No:	Ref. Part No:	Description:	Description:	
Image 1:		Image 1:		
31	0271F00181	BLOWER HSG ASSY (M1, M2, M3)	621 B1392820 WASHER, SPLIT LOCK 1/4 BZ (M10, M11, M12, M13, M14, M15, M16, M17, M18)	
31	0271F00159	BLOWER SHELL & WHEEL ASSY (M4, M5, M6, M7, M8, M9)	681 PCBCM100 PCB CONTROL (M1, M4, M7, M10, M13, M15, M17)	
31	0271F00161	BLOWER SHELL & WHEEL ASSY (M10, M11, M12, M13, M14)	NS SHARED DATA Available thru CoolCloud HVAC app.	
31	0271F00163	BLOWER SHELL & WHEEL ASSY (M15, M16, M17, M18)	NS 0159F00083 CABLE, RJ12 (M1, M4, M7, M10, M13, M15, M17)	
41	0150M00043	WHEEL, BLOWER 10X8 (M1, M2, M3)	NS 0259F00040 CONTROL HARNESS	
51	764740	BLOWER BLOCK-OFF 10 X 8 (M1, M2, M3)	NS B1392021 PLASTIC PLUG, 1" (2713-BLK) (QTY 4)	
61	A4002702	BLOWER MOTOR GROMMET (M10, M11, M12, M13, M14, M15, M16, M17, M18)	NS 0259F00041 POWER HARNESS HIGH VOLTAGE	
141	0121M00038	MOTOR MOUNT BAND (M1, M2, M3, M4, M5, M6, M7, M8, M9)	NS 0259F00024 WIRE HARNESS-BLOWER	
141	10441601	MOTOR MOUNT BAND (M10, M11, M12, M13, M14, M15, M16, M17, M18)	Expanded Model Nomenclature	
151	10441501	MOTOR MOUNT ARM (M10, M11, M12, M13, M14, M15, M16, M17, M18)	M1 - GMVC960403BNBA	
151	B1376857	MOTOR MOUNT ARM (M1, M2, M3, M4, M5, M6, M7, M8, M9)	M2 - GMVC960403BNBB	
181	0131M00272	MOTOR, 1 HP, SERIAL ECM (M13, M14, M15, M16, M17, M18)	M3 - GMVC960403BNBC	
181	0131M01002	MOTOR, 1/2 HP (M3, M6, M9)	M4 - GMVC960603BNBA	
181	0131M00270	MOTOR, 1/2 HP, SERIAL ECM (M1, M2, M4, M5, M7, M8)	M5 - GMVC960603BNBB	
181	0131M01003	MOTOR, 3/4 HP (M12)	M6 - GMVC960603BNBC	
181	0131M00271	MOTOR, 3/4 HP, SERIAL ECM (M10, M11)	M7 - GMVC960803BNBA	
231	0163F00028	SCREW (M10, M11, M12, M13, M14, M15, M16, M17, M18)	M8 - GMVC960803BNBB	
231	M0250565	TC SCREW 1.25" (M1, M2, M3, M4, M5, M6, M7, M8, M9)	M9 - GMVC960803BNBC	
251	M0267144	MACHINE SCREW (M10, M11, M13, M14, M15, M16, M17, M18)	M10 - GMVC960804CNBA	
251	B1393323	MACHINE SCREW HWH 1/4-20 X 1-1/2 BZ (M1, M2, M3, M4, M5, M6, M7, M8, M9, M12)	M11 - GMVC960804CNBB	
261	B1392918	WASHER, FLAT 1/4 ID X 1 OD (M1, M2, M3, M4, M5, M6, M7, M8, M9)	M12 - GMVC960804CNBC	
261	M0274008	WASHER-FLAT (M10, M11, M12, M13, M14, M15, M16, M17, M18)	M13 - GMVC961005CNBA	
281	M0282015	KEPS NUT (M10, M11, M13, M14, M15, M16, M17, M18)	M14 - GMVC961005CNBB	
281	B1393800	LOCKNUT, NYLON, INSERT 1/4, 20 (M1, M2, M3, M4, M5, M6, M7, M8, M9, M12)	M15 - GMVC961005DNBA	
381	0130M00140	TRANSFORMER 120V TO 24V, 40VA	M16 - GMVC961005DNBB	
391	0130M00141	INDUCTOR, 5.9 AMPS (M10, M11, M12, M13, M14, M15, M16, M17, M18)	M17 - GMVC961205DNBA	
401	PCBKF107	PCB, CONTROL BOARD (M1, M4, M7, M10, M13, M15, M17)	M18 - GMVC961205DNBB	
401	PCBKF109	PCB, CONTROL BOARD (M2, M3, M5, M6, M8, M9, M11, M12, M14, M16, M18)	*If end bells are needed please order the following: 0131M00182 - 1/2 HP 0131M00183 - 3/4 HP 0131M00184 - 1 HP	
461	0121F00464	MOUNTING PLATE-CONTROLS		
521	0130F00038	AUXLIMIT - LT BLUE 120° (QTY 2)		

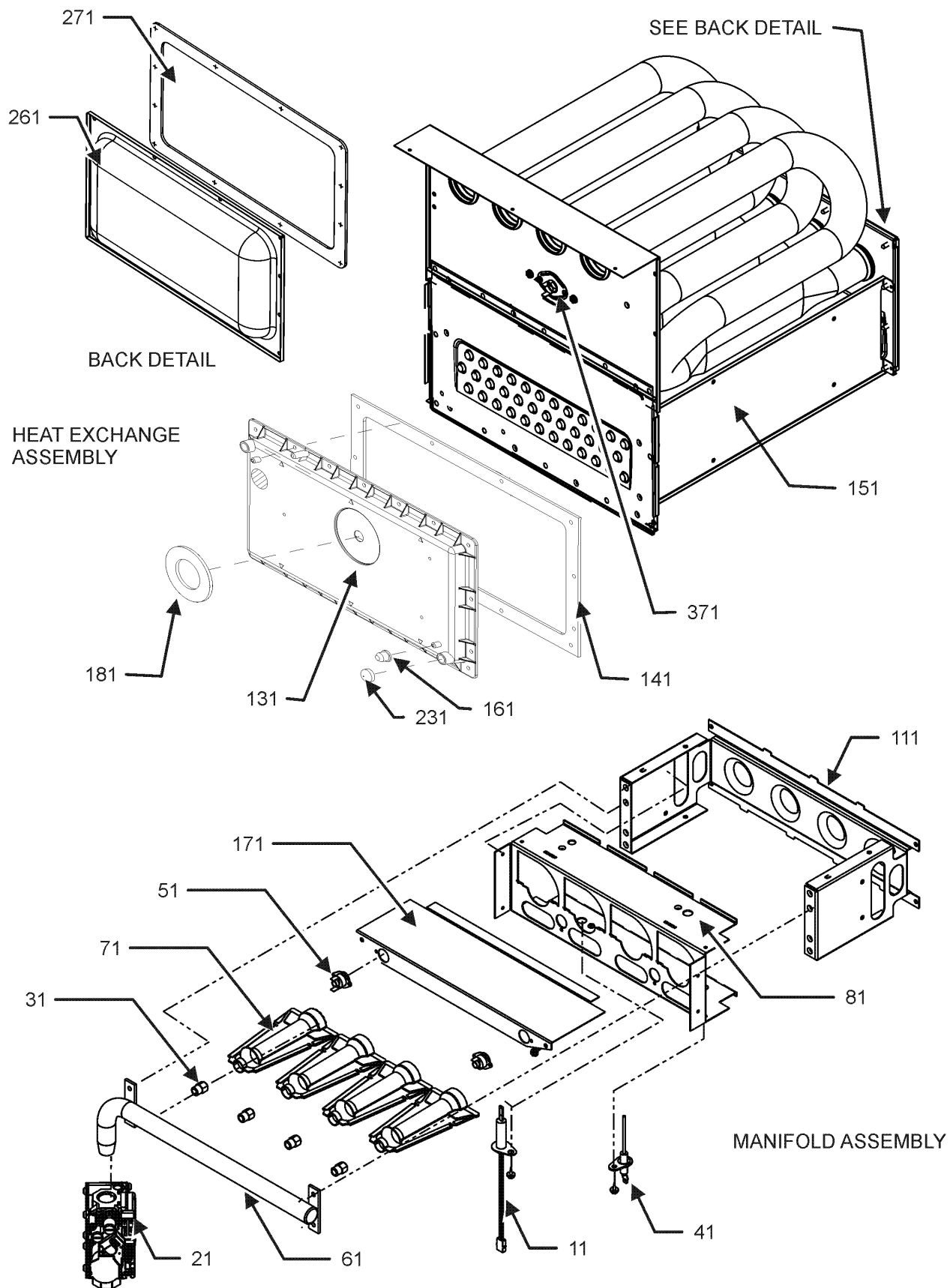
Chassis Assembly



Chassis Assembly

Ref. Part No:	Ref. Part No:	Description:	Description:
Image 1:		Expanded Model Nomenclature	
11	0121F00530DG	BASEPAN, 17.5 PNT (M1, M2, M3, M4, M5, M6, M7, M8, M9)	M1 - GMVC960403BNBA M2 - GMVC960403BNBB M3 - GMVC960403BNBC M4 - GMVC960603BNBA M5 - GMVC960603BNBB M6 - GMVC960603BNBC M7 - GMVC960803BNBA M8 - GMVC960803BNBB M9 - GMVC960803BNBC
11	0121F00531DG	BASEPAN, 21 PNT (M10, M11, M12, M13, M14)	M10 - GMVC960804CNBA M11 - GMVC960804CNBB M12 - GMVC960804CNBC M13 - GMVC961005CNBA M14 - GMVC961005CNBB
11	0121F00532DG	BASEPAN, 24.5 PNT (M15, M16, M17, M18)	M15 - GMVC961005DNBA M16 - GMVC961005DNBB M17 - GMVC961205DNBA M18 - GMVC961205DNBB
31	0121F00533	DECK-BLOWER 17.5" (M1, M2, M3, M4, M5, M6, M7, M8, M9)	
31	0121F00534	DECK-BLOWER 21" (M10, M11, M12, M13, M14)	
31	0121F00535	DECK-BLOWER 24.5" (M15, M16, M17, M18)	
91	0160F00015	INSULATION, HT EXCHANGER 17.5" (M1, M2, M3, M4, M5, M6, M7, M8, M9)	
91	0160F00016	INSULATION, HT EXCHANGER 21" (M10, M11, M12, M13, M14)	
91	0160F00017	INSULATION, HT EXCHANGER 24.5" (M15, M16, M17, M18)	
101	0121F00314	ANGLE, DECK (M1, M2, M3, M4, M5, M6, M7, M8, M9)	
101	0121F00315	ANGLE, DECK (M10, M11, M12, M13, M14)	
101	0121F00316	ANGLE, DECK (M15, M16, M17, M18)	
111	0121F00279DG	PAINTED TOP, FURNACE 17.5 (M1, M2, M3, M4, M5, M6, M7, M8, M9)	
111	0121F00280DG	PAINTED TOP, FURNACE 21 (M10, M11, M12, M13, M14)	
111	0121F00281DG	PAINTED TOP, FURNACE 24.5 (M15, M16, M17, M18)	
121	0121F00313	ANGLE, SIDE (QTY 2)	
201	0164M00115	HOSE- PRESSURE SW 6" (QTY 2)	
221	0130M00243	INTERLOCK SWITCH	
231	0164F00002	FLUE PIPE W/BEND	
241	0164F00025	ELBOW-FLUE,UPFLOW	
251	0154F00041	FRESH AIR GASKET (QTY 2)	
271	0171M00002	MOTOR-ID, BLOWER	
281	0161F00037	COUPLING	
291	0130F00429	PRESSURE SWITCH (M4, M5, M6, M7, M8, M9, M10, M11, M12, M13, M14, M15, M16, M17, M18)	
291	0130F00485	PRESSURE SWITCH (M1, M2, M3)	
301	0130F00433	PRESSURE SWITCH (M1, M2, M3, M4, M5, M6)	
301	0130F00434	PRESSURE SWITCH (M13, M14)	
301	0130F00436	PRESSURE SWITCH (M7, M8, M9, M10, M11, M12)	
301	0130F00443	PRESSURE SWITCH (M15, M16, M17, M18)	
311	0161F00042	JUNCTION BOX PLA	
331	0161F00043	JUNCTION BOX LID	
611	0163M00460	CLAMP HOSE (QTY 2)	
791	0154F00015	GASKET (QTY 2)	
811	0154F00014	GASKET (M1, M2, M3, M4, M5, M6, M7, M8, M9)	
811	0154F00016	GASKET (M10, M11, M12, M13, M14)	
811	20194607	GASKET (M15, M16, M17, M18)	
991	0121F00389	BRACKET, DOOR SWITCH	
NS	0259F00040	CONTROL HARNESS	
NS	M0326804	PLUG-TUBE	
NS	0259F00041	POWER HARNESS HIGH VOLTAGE	
NS	0259F00024	WIRE HARNESS-BLOWER	

Heat Exchange Assembly



Heat Exchange Assembly

Ref. Part No:	Ref. Part No:	Description:	Description:	
Image 1:		Image 1:		
11	0130F00008	IGNITOR-SINI 17 SEC	261 0121F00317 COVER, REAR (M1, M2, M3, M4, M5, M6, M7, M8, M9)	
21	0151M00027	GAS VALVE	261 0121F00318 COVER, REAR (M10, M11, M12, M13, M14)	
31	10716005	ORIFICE (QTY 2)	261 0121F00319 COVER, REAR (M15, M16, M17, M18)	
41	0130F00010	FLAME SENSOR	271 0154F00037 GASKET, REAR CVR (M1, M2, M3, M4, M5, M6, M7, M8, M9)	
51	0130F00123	MANUAL RESET LIMIT (M7, M8, M9, M10, M11, M12)	271 0154F00038 GASKET, REAR CVR (M10, M11, M12, M13, M14)	
51	10123527	MANUAL RESET LIMIT (M15, M16, M17, M18)	271 0154F00039 GASKET, REAR CVR (M15, M16, M17, M18)	
51	10123534	MANUAL RESET LIMIT 220°F (M13, M14)	371 20162904 *PRIMARY LIMIT-TEMPERATURE CONTROL (M1, M2, M3, M7, M8, M9, M10, M11, M12)	
51	10123539	MANUAL RESET LIMIT-ORANGE (M1, M2, M3, M4, M5, M6)	371 0130F00036 PRIMARY LIMIT - PINK 180° (M15, M16, M17, M18)	
61	0163F00007	MANIFOLD (M1, M2, M3)	371 20162906 PRIMARY LIMIT - WHITE (M4, M5, M6, M13, M14)	
61	0163F00008	MANIFOLD (M4, M5, M6)	NS 0121F00415 AIR FURN BAFFLE	
61	0163F00009	MANIFOLD (M10, M11, M12)	NS 0121F00585 INSULATION, RETAINER (M15, M16, M17, M18)	
61	0163F00010	MANIFOLD (M13, M14, M15, M16)	NS 0121F00439 PRIMARY LIMIT-HEAT SHIELD	
61	0163F00011	MANIFOLD (M17, M18)	NS 0121F00355 SHIELD, COIL (QTY 2)	
61	0163F00014	MANIFOLD (M7, M8, M9)	Expanded Model Nomenclature	
71	0163F00017	BECKETT BURNER (QTY 2)	M1 - GMVC960403BNBA	
81	0121F00456	BRACKET-BURNER 2 (M1, M2, M3)	M2 - GMVC960403BNBB	
81	0121F00455	BRACKET-BURNER 3 (M4, M5, M6)	M3 - GMVC960403BNBC	
81	0121F00454	BRACKET-BURNER 4 (M7, M8, M9, M10, M11, M12)	M4 - GMVC960603BNBA	
81	0121F00453	BRACKET-BURNER 5 (M13, M14, M15, M16)	M5 - GMVC960603BNBB	
81	0121F00451	BRACKET-BURNER 6 (M17, M18)	M6 - GMVC960603BNBC	
111	0121F00469	ORIFICE BRACKET-BURNER 2 (M1, M2, M3)	M7 - GMVC960803BNBA	
111	0121F00468	ORIFICE BRACKET-BURNER 3 (M4, M5, M6)	M8 - GMVC960803BNBB	
111	0121F00467	ORIFICE BRACKET-BURNER 4 (M7, M8, M9, M10, M11, M12)	M9 - GMVC960803BNBC	
111	0121F00466	ORIFICE BRACKET-BURNER 5 (M13, M14, M15, M16)	M10 - GMVC960804CNBA	
111	0121F00465	ORIFICE BRACKET-BURNER 6 (M17, M18)	M11 - GMVC960804CNBB	
131	0161F00022	COVER, FRONT (M7, M8, M9)	M12 - GMVC960804CNBC	
131	0161F00026	COVER, FRONT (M13, M14)	M13 - GMVC961005CNBA	
131	0161F00030	COVER, FRONT (M10, M11, M12)	M14 - GMVC961005CNBB	
131	0161F00053	COVER, FRONT (M1, M2, M3)	M15 - GMVC961005DNBA	
131	0161F00054	COVER, FRONT (M4, M5, M6)	M16 - GMVC961005DNBB	
131	0161F00063	COVER, FRONT (M17, M18)	M17 - GMVC961205DNBA	
131	0161F00084	COVER, FRONT (M15, M16)	M18 - GMVC961205DNBB	
141	0154F00026	GASKET FRONT COVER (M1, M2, M3, M4, M5, M6, M7, M8, M9)		
141	0154F00030	GASKET FRONT COVER (M10, M11, M12, M13, M14)		
141	0154F00034	GASKET FRONT COVER (M15, M16, M17, M18)		
151	0257F00236	HEAT EXCHANGER ASSY (M1, M2, M3)		
151	0257F00239	HEAT EXCHANGER ASSY (M7, M8, M9)		
151	0257F00240	HEAT EXCHANGER ASSY (M10, M11, M12)		
151	0257F00280	HEAT EXCHANGER ASSY (M13, M14)		
151	0257F00333	HEAT EXCHANGER ASSY (M17, M18)		
151	0257F00374	HEAT EXCHANGER ASSY (M4, M5, M6)		
151	0257F00440	HEAT EXCHANGER ASSY. (M15, M16)		
161	M0326804	TUBE PLUG		
171	0121F00539	SHEILD, BURNER (M1, M2, M3)		
171	0121F00540	SHEILD, BURNER (M4, M5, M6)		
171	0121F00541	SHEILD, BURNER (M7, M8, M9, M10, M11, M12)		
171	0121F00542	SHEILD, BURNER (M13, M14, M15, M16)		
171	0121F00543	SHEILD, BURNER (M17, M18)		
181	0154F00043	GASKET ID BLOWER		
231	A1781105	CAP-VINYL .500		