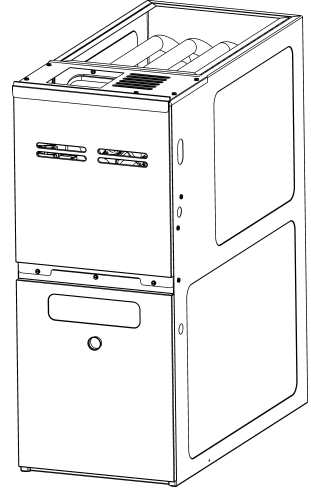


**GMVC 80% High Efficient Furnace**

GMVC800603BNAC  
GMVC800603BNAD  
GMVC800603BXAC  
GMVC800603BXAD  
GMVC800604BNAC  
GMVC800604BNAD  
GMVC800604BXAC  
GMVC800604BXAD  
GMVC800803BNAC  
GMVC800803BNAD  
GMVC800804CNAC  
GMVC800804CNAD  
GMVC800804CXAC  
GMVC800804CXAD  
GMVC800805CNAC  
GMVC800805CNAD  
GMVC800805CXAC  
GMVC800805CXAD  
GMVC800805DNAC  
GMVC800805DNAD  
GMVC800805DXAC  
GMVC800805DXAD  
GMVC801005CNAC  
GMVC801005CNAD  
GMVC801005CXAC  
GMVC801005CXAD



This manual is to be used by qualified technicians only.

This manual replaces RP-G2336.

© 2021 Goodman Manufacturing Company, L.P. ♦ 5151 San Felipe St, Suite 500 ♦ Houston, TX 77056

# Important Information

---

## Index

Functional Parts List .....	3
Illustration and Parts .....	4 - 9

*Views shown are for parts illustrations only, not servicing procedures.*

### Text Codes:

AR - As Required

NA - Not Available

NS - Not Shown

00000000 - See Note

QTY - Quantity Example (QTY 3) (If Quantity not shown, Quantity = 1)

M - Model Example (M1) (If M Code not shown, then part is used on all Models)

### Expanded Model Nomenclature:

Example M1 - Model#1 M2 - Model#2 M3 - Model#3
---

Goodman Manufacturing Company, L.P. is not responsible for personal injury or property damage resulting from improper service. Review all service information before beginning repairs.

Warranty service must be performed by an authorized technician, using authorized factory parts. If service is required after the warranty expires, Goodman Manufacturing Company, L.P. also recommends contacting an authorized technician and using authorized factory parts.

Goodman Manufacturing Company, L.P. reserves the right to discontinue, or change at any time, specifications or designs without notice or without incurring obligations.

For assistance within the U.S.A. contact:  
Homeowner Support  
Goodman Manufacturing Company, L.P.  
19001 Kermier Road  
Waller, Texas 77484  
877-254-4729-Telephone  
713-863-2382-Facsimile

For assistance outside the U.S.A. contact:  
International Division  
Goodman Manufacturing Company, L.P.  
19001 Kermier Road  
Waller, Texas 77484  
713-861-2500-Telephone  
713-863-2382-Facsimile

# Functional Parts

## Part

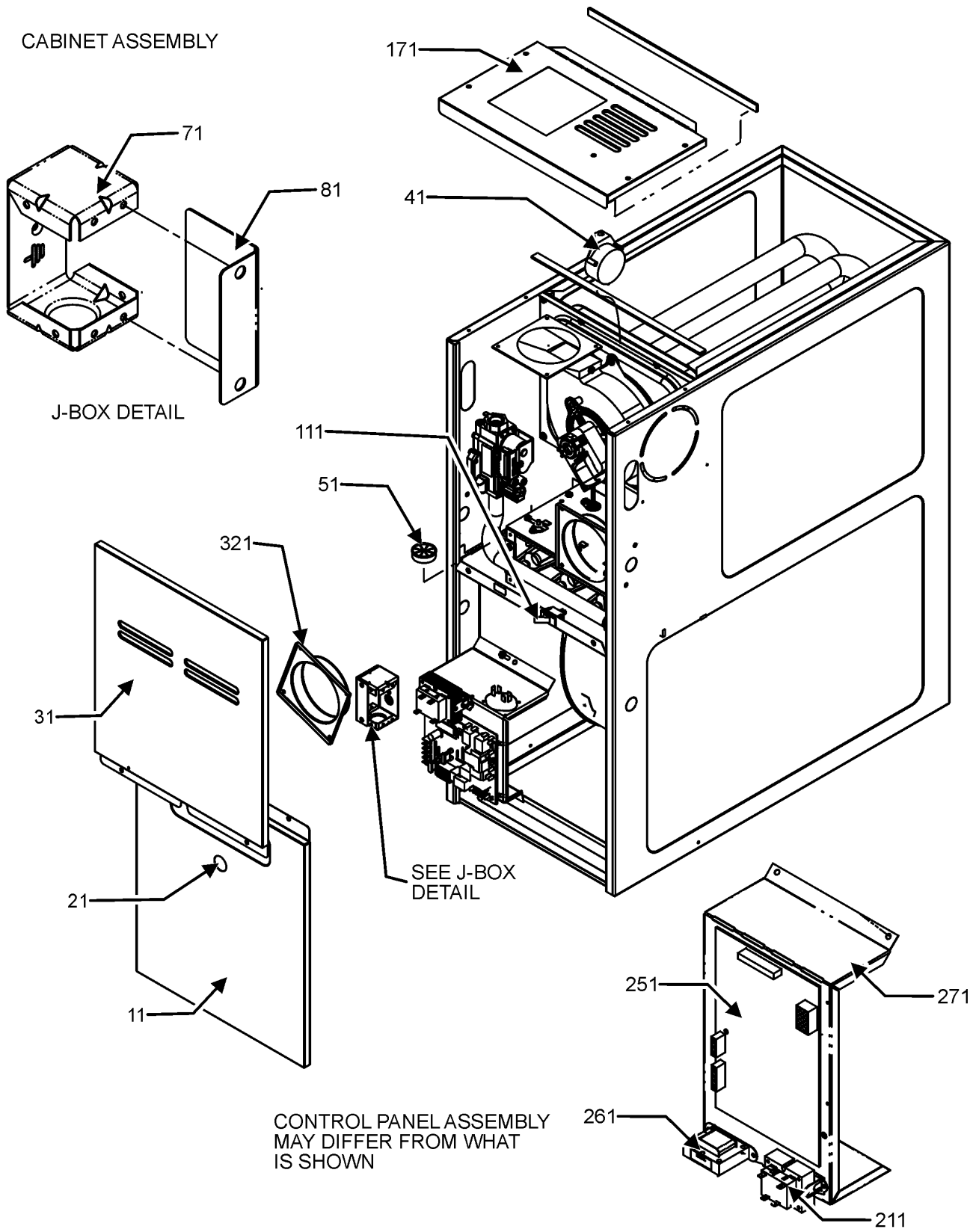
**No:**                      **Description:**

Part No:	Description:	Expanded Model Nomenclature
20162904	*PRIMARY LIMIT-TEMPERATURE CONTROL (M9, M10, M11, M12, M13, M14, M19, M20, M21, M22)	M1 - GMVC800603BNAC
0130F00794	AIR PRESSURE SWITCH (M11, M12, M13, M14)	M2 - GMVC800603BNAD
0130F00791	AIR PRESSURE SWITCH (M23, M24, M25, M26)	M3 - GMVC800603BXAC
0130F00792	AIR PRESSURE SWITCH (M5, M6, M7, M8, M9, M10, M15, M16, M17, M18)	M4 - GMVC800603BXAD
0130F00795	AIR PRESSURE SWITCH (M1, M2, M3, M4, M19, M20, M21, M22)	M5 - GMVC800604BNAC
SHARED DATA	Available thru CoolCloud HVAC app.	M6 - GMVC800604BNAD
0130F00010	FLAME SENSOR	M7 - GMVC800604BXAC
0151M00027	GAS VALVE	M8 - GMVC800604BXAD
0130M00141	INDUCTOR, 5.9 AMPS (M5, M6, M7, M8, M11, M12, M13, M14, M15, M16, M17, M18, M19, M20, M21, M22, M23, M24, M25, M26)	M9 - GMVC800803BNAC
10690402	INTERLOCK SWITCH	M10 - GMVC800803BNAD
0130F00038	LIMIT, PRIMARY 120 LT BLUE	M11 - GMVC800804CNAC
0130M00063	LIMIT, PRIMARY, 140, GOLD (M5, M6, M7, M8, M15, M16, M17, M18)	M12 - GMVC800804CNAD
20162903	LIMIT-BLUE (M1, M2, M3, M4)	M13 - GMVC800804CXAC
20162905	LIMIT-YELLOW (M23, M24, M25, M26)	M14 - GMVC800804CXAD
10123529	MANUAL RESET R.O.S. LIMIT (QTY 2)	M15 - GMVC800805CNAC
0131M01002	MOTOR, 1/2 HP (M2, M4, M10, M12, M14)	M16 - GMVC800805CNAD
0131M00270	MOTOR, 1/2 HP, SERIAL ECM (M1, M3, M9, M11, M13)	M17 - GMVC800805CXAC
0131M01003	MOTOR, 3/4 HP (M6, M8, M16, M18, M20, M22, M24, M26)	M18 - GMVC800805CXAD
0131M00271	MOTOR, 3/4 HP, SERIAL ECM (M5, M7, M15, M17, M19, M21, M23, M25)	M19 - GMVC800805DNAC
0131M00781P	MOTOR, VENT 2-STAGE	M20 - GMVC800805DNAD
PCBKF109	PCB, CONTROL BOARD	M21 - GMVC800805DXAC
0130F00008	SINI IGNITOR	M22 - GMVC800805DXAD
0130M00140	TRANSFORMER,(120V TO 24V,40VA,	M23 - GMVC801005CNAC
		M24 - GMVC801005CNAD
		M25 - GMVC801005CXAC
		M26 - GMVC801005CXAD

## SPECIAL PARTS

0161F00007                      NAMEPLATE, GOODMAN

# Cabinet and Control Panel Assembly



CABINET ASSEMBLY MAY DIFFER FROM WHAT IS SHOWN

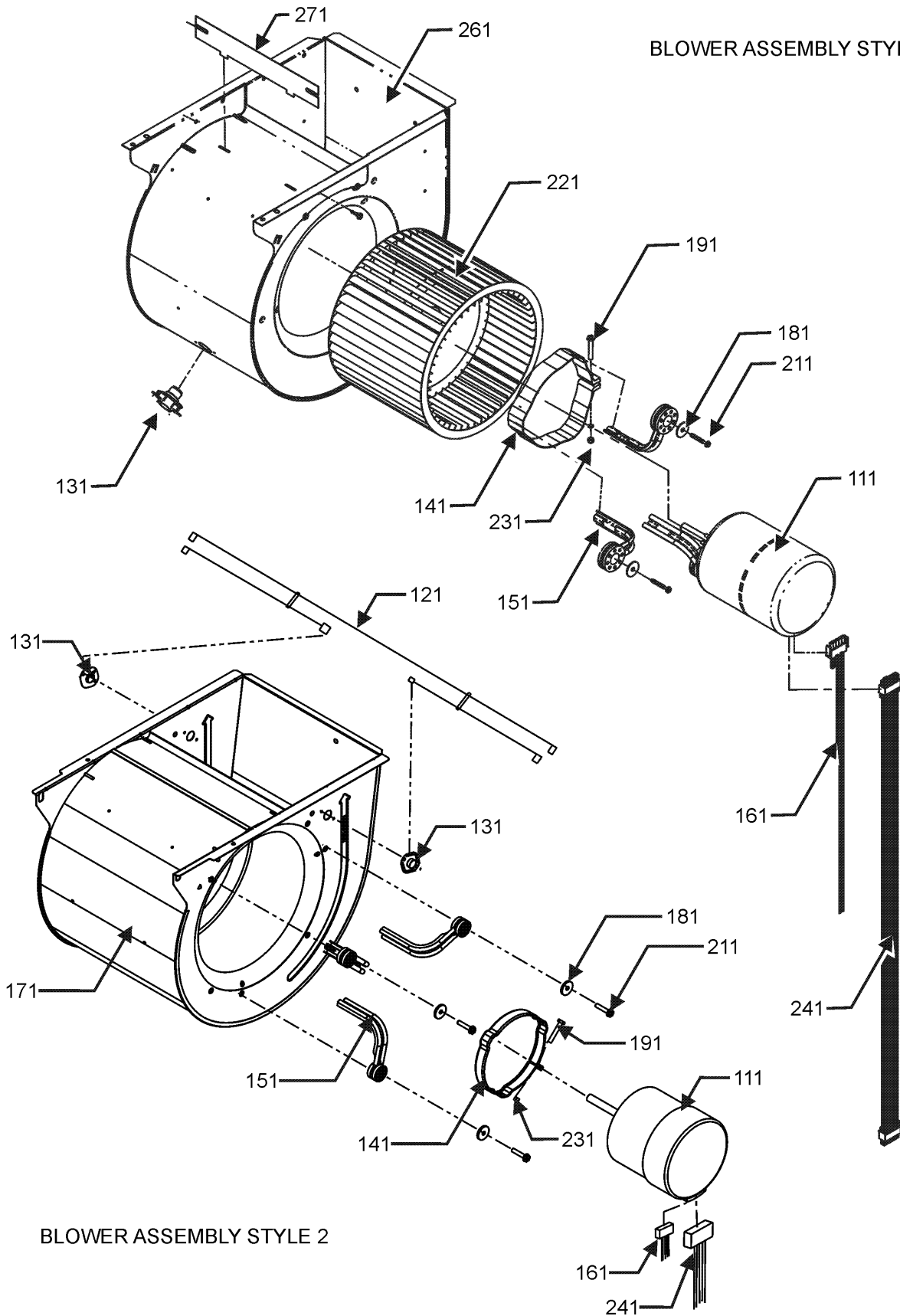
CONTROL PANEL ASSEMBLY

# Cabinet and Control Panel Assembly

Ref. Part No:	No:	Description:	Ref. Part No:	No:	Description:
<b>Image 1:</b>			<b>Expanded Model Nomenclature</b>		
11	0121F00123DG	DOOR, BLOWER, 17.5" PAINTED (M1, M2, M3, M4, M5, M6, M7, M8, M9, M10)	M1	-	GMVC800603BNAC
11	0121F00124DG	DOOR, BLOWER, 21"-PAINTED (M11, M12, M13, M14, M15, M16, M17, M18, M23, M24, M25, M26)	M2	-	GMVC800603BNAD
11	0121F00125DG	DOOR, BLOWER, 24.5"-PAINTED (M19, M20, M21, M22)	M3	-	GMVC800603BXAC
21	B1392139	VIEW PORT BUSHING-BLOWER DOOR	M4	-	GMVC800603BXAD
31	0121F00119DG	CONTROL ACCESS DOOR 17.5" (M1, M2, M3, M4, M5, M6, M7, M8, M9, M10)	M5	-	GMVC800604BNAC
31	0121F00120DG	CONTROL ACCESS DOOR 21" (M11, M12, M13, M14, M15, M16, M17, M18, M23, M24, M25, M26)	M6	-	GMVC800604BNAD
31	0121F00121DG	CONTROL ACCESS DOOR 24.5" (M19, M20, M21, M22)	M7	-	GMVC800604BXAC
41	0130F00791	AIR PRESSURE SWITCH (M23, M24, M25, M26)	M8	-	GMVC800604BXAD
41	0130F00792	AIR PRESSURE SWITCH (M5, M6, M7, M8, M9, M10, M15, M16, M17, M18)	M9	-	GMVC800803BNAC
41	0130F00794	AIR PRESSURE SWITCH (M11, M12, M13, M14)	M10	-	GMVC800803BNAD
41	0130F00795	AIR PRESSURE SWITCH (M1, M2, M3, M4, M19, M20, M21, M22)	M11	-	GMVC800804CNAC
51	B1392147	UNIVERSAL BUSHING WITH SLICE	M12	-	GMVC800804CNAD
71	4014502	J-BOX	M13	-	GMVC800804CXAC
81	4015502	COVER, J-BOX	M14	-	GMVC800804CXAD
111	10690402	INTERLOCK SWITCH	M15	-	GMVC800805CNAC
171	0121F00142DG	TOP 17.5" (M1, M2, M3, M4, M5, M6, M7, M8, M9, M10)	M16	-	GMVC800805CNAD
171	0121F00143DG	TOP 21" (M11, M12, M13, M14, M15, M16, M17, M18, M23, M24, M25, M26)	M17	-	GMVC800805CXAC
171	0121F00463DG	TOP, FURNACE 24.5" (M19, M20, M21, M22)	M18	-	GMVC800805CXAD
211	0130M00140	TRANSFORMER,(120V TO 24V,40VA,	M19	-	GMVC800805DNAC
251	PCBKF109	PCB, CONTROL BOARD	M20	-	GMVC800805DNAD
261	0130M00141	INDUCTOR, 5.9 AMPS (M5, M6, M7, M8, M11, M12, M13, M14, M15, M16, M17, M18, M19, M20, M21, M22, M23, M24, M25, M26)	M21	-	GMVC800805DXAC
271	0121F00218	PANEL, CONTROL MOUNTING	M22	-	GMVC800805DXAD
321	4023500	CHIMNEY TRANSITION TOP	M23	-	GMVC801005CNAC
NS	0161F00007	NAMEPLATE, GOODMAN	M24	-	GMVC801005CNAD
			M25	-	GMVC801005CXAC
			M26	-	GMVC801005CXAD

# Blower Assembly

BLOWER ASSEMBLY STYLE 1



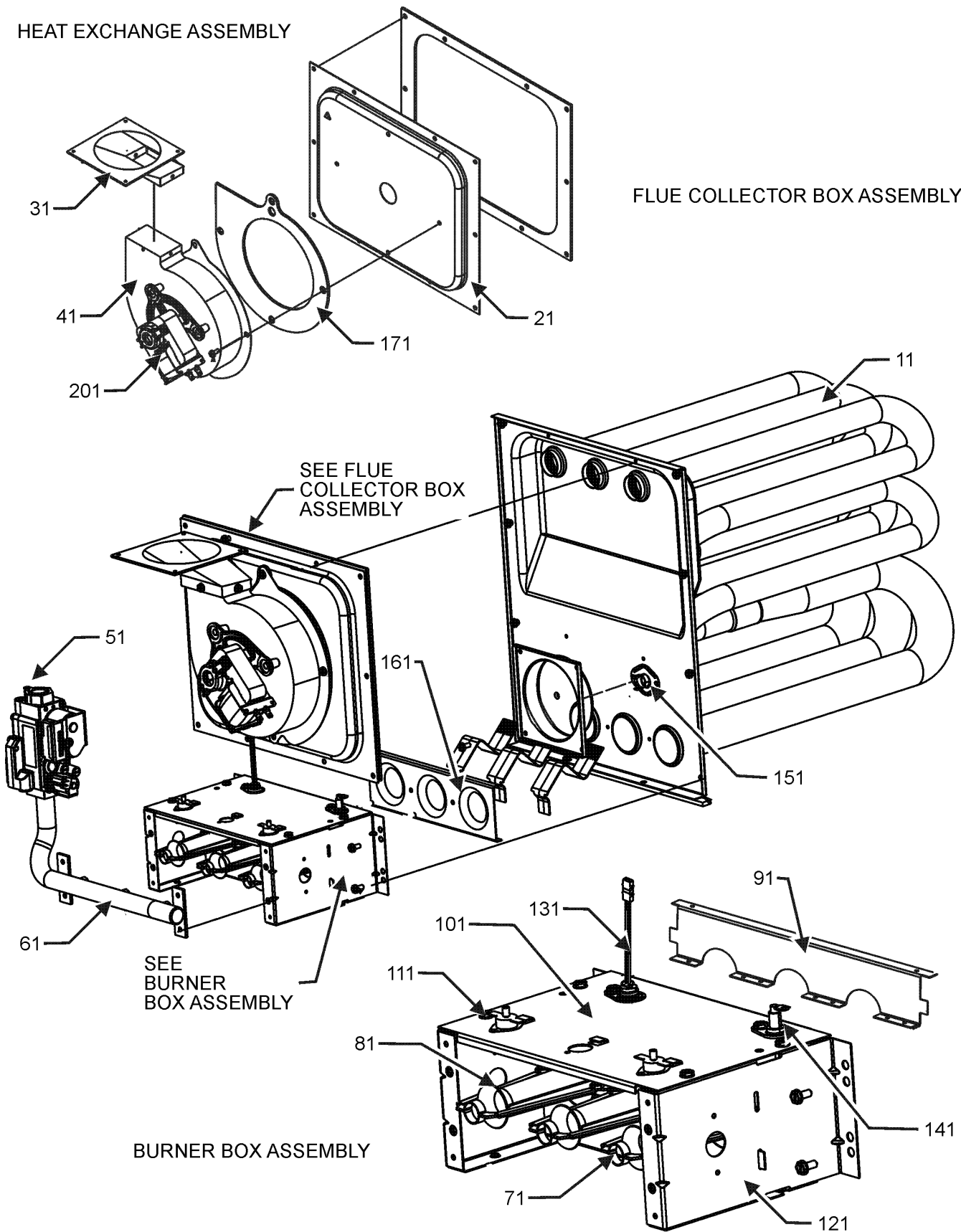
# Blower Assembly

Ref. Part No:	No:	Description:	Ref. Part No:	No:	Description:
<b>Image 1:</b>			<b>Expanded Model Nomenclature</b>		
111	0131M01002	MOTOR, 1/2 HP (M2, M4, M10, M12, M14)	M1	-	GMVC800603BNAC
111	0131M00270	MOTOR, 1/2 HP, SERIAL ECM (M1, M3, M9, M11, M13)	M2	-	GMVC800603BNAD
111	0131M01003	MOTOR, 3/4 HP (M6, M8, M16, M18, M20, M22, M24, M26)	M3	-	GMVC800603BXAC
111	0131M00271	MOTOR, 3/4 HP, SERIAL ECM (M5, M7, M15, M17, M19, M21, M23, M25)	M4	-	GMVC800603BXAD
121	0259F00024	WIRE HARNESS-BLOWER (M11, M12, M13, M14, M19, M20, M21, M22)	M5	-	GMVC800604BNAC
131	0130F00038	LIMIT, PRIMARY 120 LT BLUE	M6	-	GMVC800604BNAD
141	0121M00038	MOTOR MOUNT BAND (M1, M2, M3, M4, M5, M6, M7, M8, M9, M10)	M7	-	GMVC800604BXAC
141	0121M00039	MOTOR MOUNT BAND (HEAVY DUTY) (M11, M12, M13, M14, M15, M16, M17, M18, M19, M20, M21, M22, M23, M24, M25, M26)	M8	-	GMVC800604BXAD
151	0163M00538	MOUNT ARM, MOTOR (M11, M12, M13, M14, M15, M16, M17, M18, M19, M20, M21, M22, M23, M24, M25, M26)	M9	-	GMVC800803BNAC
151	B1376853	MOUNT ARM, MOTOR, A36-42 (M1, M2, M3, M4, M5, M6, M7, M8, M9, M10)	M10	-	GMVC800803BNAD
161	0259F00049	HARNESS-POWER	M11	-	GMVC800804CNAC
171	0271F00303	BLOWER SHELL & WHEEL (M11, M12, M13, M14, M19, M20, M21, M22)	M12	-	GMVC800804CNAD
181	B1392918	WASHER, FLAT 1/4 ID X 1 OD (QTY 3)	M13	-	GMVC800804CXAC
191	0163M00320	HEX HEAD ALL THREAD TAP BOLT	M14	-	GMVC800804CXAD
211	M0250565	SCREW-TC 1.25" (QTY 3)	M15	-	GMVC800805CNAC
221	B1368047	BLOWER WHEEL (10 X 10) (M15, M16, M17, M18, M23, M24, M25, M26)	M16	-	GMVC800805CNAD
221	0150M00043	WHEEL, BLOWER (10X8) (M1, M2, M3, M4, M9, M10)	M17	-	GMVC800805CXAC
221	B1368016	WHEEL, BLOWER, 10X8 (M5, M6, M7, M8)	M18	-	GMVC800805CXAD
231	B1393800	LOCKNUT, NYLON INSERT 1/4 20	M19	-	GMVC800805DNAC
241	0259M00008	WIRE HARNESS	M20	-	GMVC800805DNAD
261	0271F00111	BLOWER SHELL ASSY (M1, M2, M3, M4, M5, M6, M7, M8, M9, M10)	M21	-	GMVC800805DXAC
261	0271F00112	BLOWER SHELL ASSY (M15, M16, M17, M18, M23, M24, M25, M26)	M22	-	GMVC800805DXAD
271	764741	BLWR BLK-OFF,10X10 (M15, M16, M17, M18, M23, M24, M25, M26)	M23	-	GMVC801005CNAC
271	764740	BLWR BLK-OFF,10X8 (M1, M2, M3, M4, M5, M6, M7, M8, M9, M10)	M24	-	GMVC801005CNAD
NS	SHARED DATA	Available thru CoolCloud HVAC app.	M25	-	GMVC801005CXAC
			M26	-	GMVC801005CXAD

# Heat Exchange Assembly

HEAT EXCHANGE ASSEMBLY

FLUE COLLECTOR BOX ASSEMBLY





# Heat Exchange Assembly

Ref. Part No:	Part No:	Description:	Ref. Part No:	Part No:	Description:
<b>Image 1:</b>			<b>Image 1:</b>		
11	0270F00902	HEAT EXCHANGER ASSY (M9, M10)	161	4028002	ORIFICE PLATE, 4CELL (M9, M10, M11, M12, M13, M14, M15, M16, M17, M18, M19, M20, M21, M22)
11	0270F00903	HEAT EXCHANGER ASSY (M23, M24, M25, M26)	161	4028003	ORIFICE PLATE, 5CELL (M23, M24, M25, M26)
11	0270F00929	HEAT EXCHANGER ASSY (M1, M2, M3, M4, M5, M6, M7, M8)	171	0154F00004	VENT MOTOR GASKET 17.5" (M1, M2, M3, M4, M5, M6, M7, M8, M9, M10)
11	0270F00930	HEAT EXCHANGER ASSY (M11, M12, M13, M14, M15, M16, M17, M18)	171	0154F00005	VENT MOTOR GASKET 21" (M11, M12, M13, M14, M15, M16, M17, M18, M19, M20, M21, M22, M23, M24, M25, M26)
11	0270F02961	HEAT EXCHANGER ASSY (M19, M20, M21, M22)	201	DY6.186.070	VENT MOTOR CAPACITOR
21	0121F00328	17.5" COLLECTOR BOX 1.250" DIA (M1, M2, M3, M4)	NS	0259F00062	INDUCER HARNESS ASSY
21	0121F00332	17.5" COLLECTOR BOX 1.375" DIA (M5, M6, M7, M8)	NS	0259F00260	WIRE HARNESS ASSY
21	0121F00334	21" COLLECTOR BOX 1.625" DIA (M19, M20, M21, M22)	NS	0259F00261	WIRE HARNESS ASSY
21	0121F00333	21" COLLECTOR BOX 1.75" DIA (M23, M24, M25, M26)	NS	0259F00286	WIRE HARNESS ASSY
21	0121F00336	21" FLUE COLLECTOR BOX 1.50" (M15, M16, M17, M18)	NS	0259F00290	WIRE HARNESS ASSY
21	0121F00655	COLLECTOR BOX 17.5" 1.437 DIA (M9, M10)	<b>Expanded Model Nomenclature</b>		
21	0121F00659	COLLECTOR BOX 21" 1.40 DIA (M11, M12, M13, M14)	M1 - GMVC800603BNAC M2 - GMVC800603BNAD M3 - GMVC800603BXAC M4 - GMVC800603BXAD M5 - GMVC800604BNAC M6 - GMVC800604BNAD M7 - GMVC800604BXAC M8 - GMVC800604BXAD M9 - GMVC800803BNAC M10 - GMVC800803BNAD M11 - GMVC800804CNAC M12 - GMVC800804CNAD M13 - GMVC800804CXAC M14 - GMVC800804CXAD M15 - GMVC800805CNAC M16 - GMVC800805CNAD M17 - GMVC800805CXAC M18 - GMVC800805CXAD M19 - GMVC800805DNAC M20 - GMVC800805DNAD M21 - GMVC800805DXAC M22 - GMVC800805DXAD M23 - GMVC801005CNAC M24 - GMVC801005CNAD M25 - GMVC801005CXAC M26 - GMVC801005CXAD		
31	0128F00006	CHIMNEY TRANSITION BOTTOM			
41	0131M00781P	MOTOR, VENT 2-STAGE			
51	0151M00027	GAS VALVE			
61	0120F00007	MANIFOLD (M1, M2, M3, M4, M5, M6, M7, M8)			
61	0120F00008	MANIFOLD (M9, M10, M11, M12, M13, M14, M15, M16, M17, M18, M19, M20, M21, M22)			
61	0120F00009	MANIFOLD (M23, M24, M25, M26)			
71	10716005	ORIFICE (QTY 3)			
81	B4022700	INSHOT BURNER ASSY 3" (QTY 3)			
91	0121F00168	BURNER RACK, 3 CELL (M1, M2, M3, M4, M5, M6, M7, M8)			
91	0121F00169	BURNER RACK, 4 CELL (M9, M10, M11, M12, M13, M14, M15, M16, M17, M18, M19, M20, M21, M22)			
91	0121F00170	BURNER RACK, 5 CELL (M23, M24, M25, M26)			
101	0121F00759	TOP, BURNER BOX 3 CELL (M1, M2, M3, M4, M5, M6, M7, M8)			
101	0121F00760	TOP, BURNER BOX 4 CELL (M9, M10, M11, M12, M13, M14, M15, M16, M17, M18, M19, M20, M21, M22)			
101	0121F00761	TOP, BURNER BOX 5 CELL (M23, M24, M25, M26)			
111	10123529	MANUAL RESET R.O.S. LIMIT (QTY 2)			
121	0121F00146	BURNER BOX SIDE (QTY 2)			
131	0130F00008	SINI IGNITOR			
141	0130F00010	FLAME SENSOR			
151	20162904	*PRIMARY LIMIT-TEMPERATURE CONTROL (M9, M10, M11, M12, M13, M14, M19, M20, M21, M22)			
151	0130M00063	LIMIT, PRIMARY, 140, GOLD (M5, M6, M7, M8, M15, M16, M17, M18)			
151	20162903	LIMIT-BLUE (M1, M2, M3, M4)			
151	20162905	LIMIT-YELLOW (M23, M24, M25, M26)			
161	4028001	ORIFICE PLATE, 3CELL (M1, M2, M3, M4, M5, M6, M7, M8)			