
DZ11TA 2-Stage 3 Phase Remote Heat Pump

DZ11TA0903AA
DZ11TA0904AA
DZ11TA1203AA
DZ11TA1203AB
DZ11TA1204AA



This manual is to be used by qualified technicians only.

This manual replaces RP-D4333.

Important Information

Index

Functional Parts List	3
Illustration and Parts	4 - 9

Views shown are for parts illustrations only, not servicing procedures.

Text Codes:

AR - As Required

NA - Not Available

NS - Not Shown

00000000 - See Note

QTY - Quantity Example (QTY 3) (If Quantity not shown, Quantity = 1)

M - Model Example (M1) (If M Code not shown, then part is used on all Models)

Expanded Model Nomenclature:

Example
M1 - Model#1
M2 - Model#2
M3 - Model#3

Daikin Manufacturing Company, L.P. is not responsible for personal injury or property damage resulting from improper service. Review all service information before beginning repairs.

Warranty service must be performed by an authorized technician, using authorized factory parts. If service is required after the warranty expires, Daikin Manufacturing Company, L.P. also recommends contacting an authorized technician and using authorized factory parts.

Daikin Manufacturing Company, L.P. reserves the right to discontinue, or change at any time, specifications or designs without notice or without incurring obligations.

For assistance within the U.S.A. contact:

Homeowner Support
Daikin North America, LLC
19001 Kermier Road
Waller, Texas 77484
855-770-5678-Telephone
713-863-2382-Facsimile

For assistance outside the U.S.A. contact:

International Division
Daikin North America, LLC
19001 Kermier Road
Waller, Texas 77484
713-861-2500-Telephone
713-863-2382-Facsimile

Functional Parts

Part

No: Description:

0130M00025	24V RELAY
0151R00184	BALL VALVE 1 1/8"
0151R00188	BASE VALVE 5/8"
CAP200000440CP	CAP, 20 MFD/440V/ RD
ZPS104KCETF5155	COMP, 105K 200/230/60/3/2STG (M3, M4)
ZPS104KCETFD155	COMP, 105K, 200/230/60/3/2STG (M5)
ZPS83KCETFD130	COMP, 83000, 200/230/60/3/2STG (M2)
ZPS83KCETF5130	COMP, 83000, 200/230/60/3/2STG (M1)
CONT3P050024V	CONT 3 POLE 50 AMP 24 VAC (M3, M4)
CONT3P040024V	CONTACTOR 40 AMP, 3P, 24V (M1, M2, M5)
0130M00250	CONTROL, DEFROST
0130L00023	CRANK CASE HEATER 70W 240V (M1, M3, M4)
0130L00024	CRANK CASE HEATER 70W, 480V (M2, M5)
0251R00011	EXPANSION VALVE
0131M00860	MOTOR 1HP 1SP 230V (M1, M3, M4)
0131M00861	MOTOR, 1HP, 1SP, 460V (M2, M5)
PCBDM133	PCB, DEFROST CONTROL
10135604	RELAY
B1225022	SOLENOID COIL
0130M00089	SW-CUTOUT HI PRESS
0130M00514	SWITCH, LOW PRESSURE
0151R00200	VALVE, REVERSING (M1, M2)
0151R00201	VALVE, REVERSING (M3, M4, M5)

SPECIAL PARTS

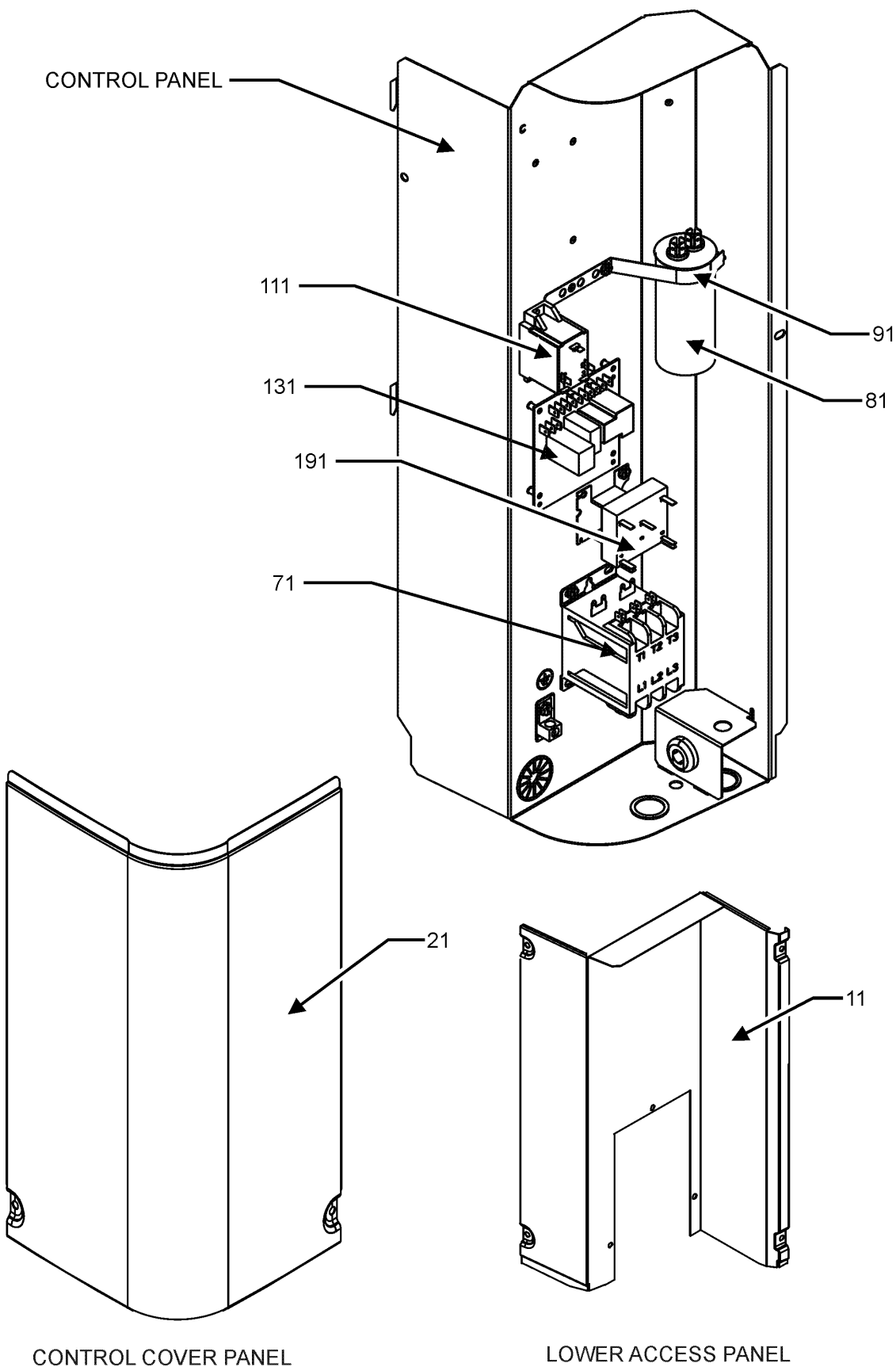
0161R00093	NAMEPLATE, DAIKIN
------------	-------------------

Expanded Model Nomenclature

M1 - DZ11TA0903AA
M2 - DZ11TA0904AA
M3 - DZ11TA1203AA
M4 - DZ11TA1203AB
M5 - DZ11TA1204AA

CONTROL BOX ASSEMBLY

CONTROL BOX ASSEMBLY MAY DIFFER FROM WHAT IS SHOWN



CONTROL BOX ASSEMBLY

Ref. Part No:	No:	Description:	Ref. Part No:	No:	Description:
---------------	-----	--------------	---------------	-----	--------------

Image 1:

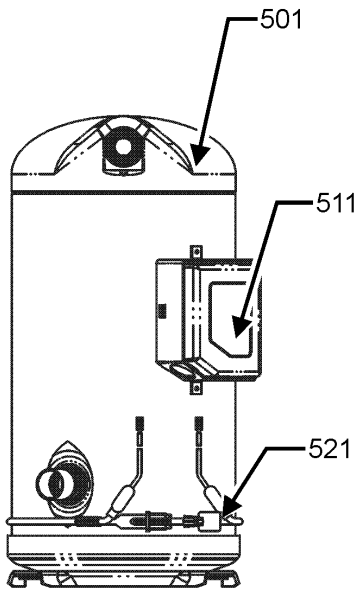
11	0121R00863PNG	PANEL, LOWER ACCESS PNT
21	0121R00853PNG	PANEL, CONTROL C/HP PNT
71	CONT3P050024V	CONT 3 POLE 50 AMP 24 VAC (M3, M4)
71	CONT3P040024V	CONTACTOR 40 AMP, 3P, 24V (M1, M2, M5)
81	CAP200000440CP	CAP, 20 MFD/440V/ RD
91	4400065	CAPACITOR STRAP
111	10135604	RELAY
131	PCBDM133	PCB, DEFROST CONTROL
191	0130M00025	24V RELAY
NS	0161R00093	NAMEPLATE, DAIKIN
NS	B1372801	SIGHT GLASS CL90/120

Expanded Model Nomenclature

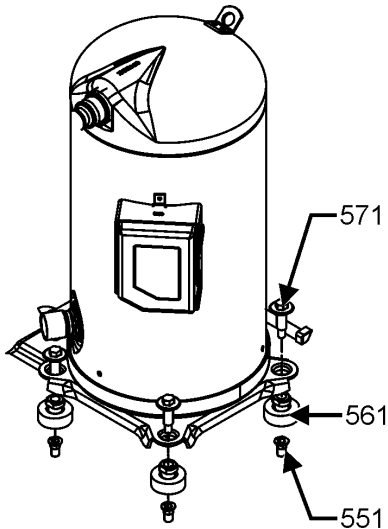
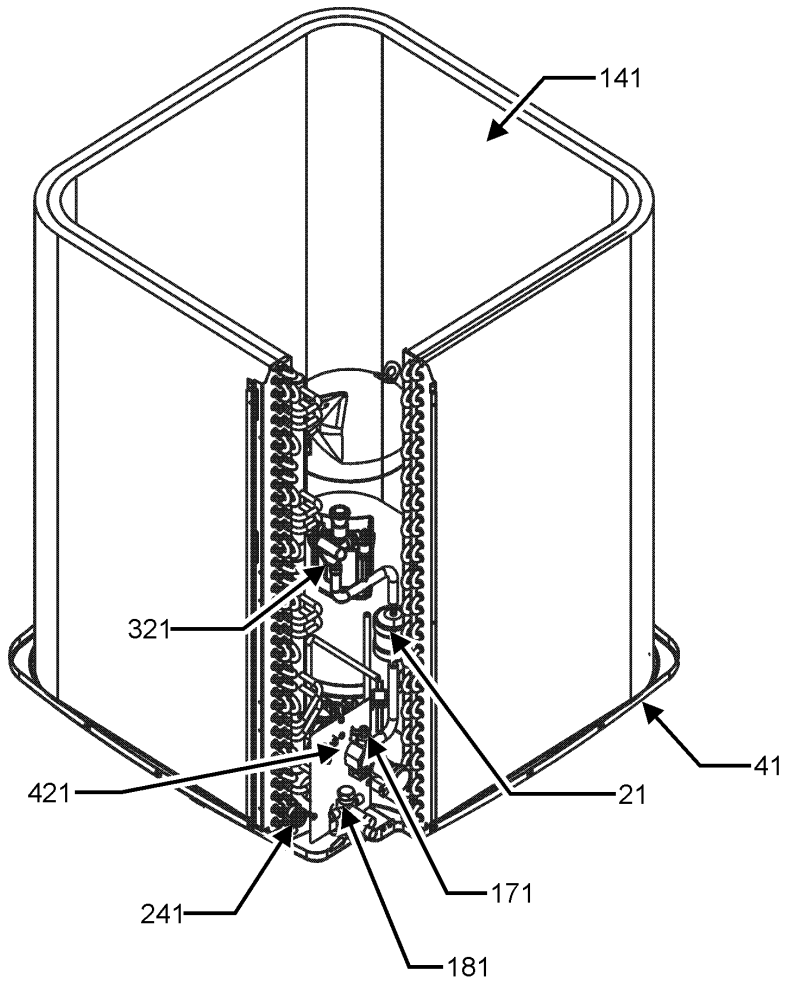
- | |
|-------------------|
| M1 - DZ11TA0903AA |
| M2 - DZ11TA0904AA |
| M3 - DZ11TA1203AA |
| M4 - DZ11TA1203AB |
| M5 - DZ11TA1204AA |

TUBING ASSEMBLY

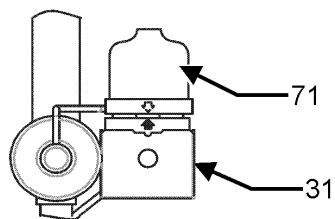
TUBING ASSEMBLY MAY DIFFER FROM WHAT IS SHOWN



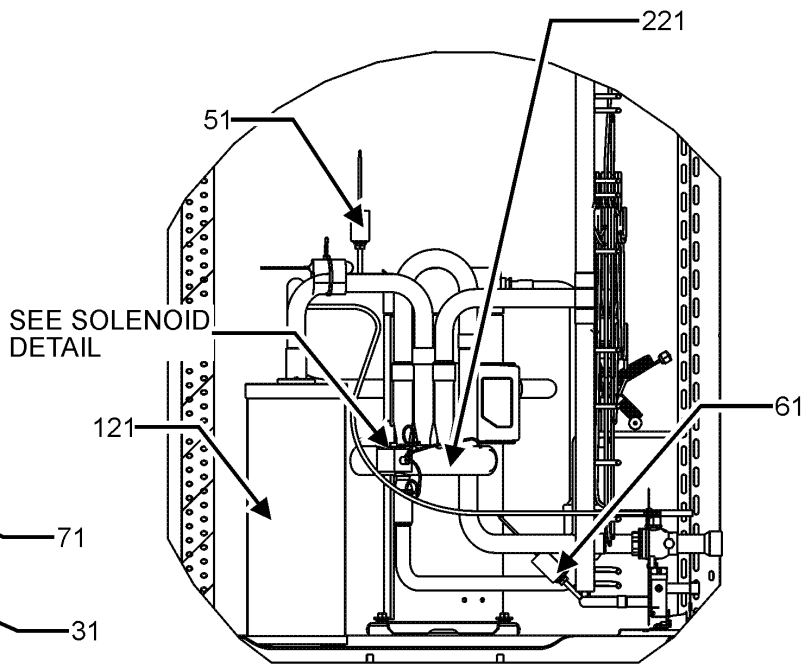
COMPRESSOR DETAIL



COMPRESSOR MOUNTING DETAIL



SOLENOID DETAIL



SIDE VIEW TUBING ASSEMBLY

TUBING ASSEMBLY

Ref. Part No:	Part No:	Description:	Ref. Part No:	Part No:	Description:
---------------	----------	--------------	---------------	----------	--------------

Image 1:

21	B1219227	FILTER DRIER (BI-FLOW)
31	B1225022	SOLENOID COIL
41	0121R00007PNG	BASE PAN 35"
51	0130M00514	SWITCH, LOW PRESSURE
61	0130M00089	SW-CUTOOUT HI PRESS
71	0130M00409	REVERSING VALVE CABLE
121	B1226212	ACCUMULATOR
141	0201R00713	COIL TUBING ASSY.
171	0151R00184	BALL VALVE 1 1/8"
181	0151R00188	BASE VALVE 5/8"
221	0151R00200	VALVE, REVERSING (M1, M2)
221	0151R00201	VALVE, REVERSING (M3, M4, M5)
241	0130M00250	CONTROL, DEFROST
321	0251R00011	EXPANSION VALVE
421	0121R00864PNG	PANEL, BALL VALVE MOUNTING PNT
501	ZPS104KCETF5155	COMP, 105K 200/230/60/3/2STG (M3, M4)
501	ZPS104KCETFD155	COMP, 105K, 200/230/60/3/2STG (M5)
501	ZPS83KCETF5130	COMP, 83000, 200/230/60/3/2STG (M1)
501	ZPS83KCETFD130	COMP, 83000, 200/230/60/3/2STG (M2)
511	0159G00003	HARNESS, COMP SCROLL (M1, M2)
511	0159L00053	HARNESS, COMP SCROLL (M3, M5)
511	0159L00130	HARNESS, COMP SCROLL (M4)
521	0130L00023	CRANK CASE HEATER 70W 240V (M1, M3, M4)
521	0130L00024	CRANK CASE HEATER 70W, 480V (M2, M5)
551	B1393027	HEX NUT INSERT 5/16-18 (QTY 4)
561	0164M00018	COMPRESSOR GROMMET (QTY 4)
571	B1393740	COMPRESSOR BOLT & SLEEVE (QTY 4)
NS	0151M00099	ACCESS FITTING
NS	0159G00001	CABLE, COMP SOL
NS	0163M00175	CAP WITH O-RING
NS	4400031	VALVE BRACKET
NS	0151M00104	VALVE CORE

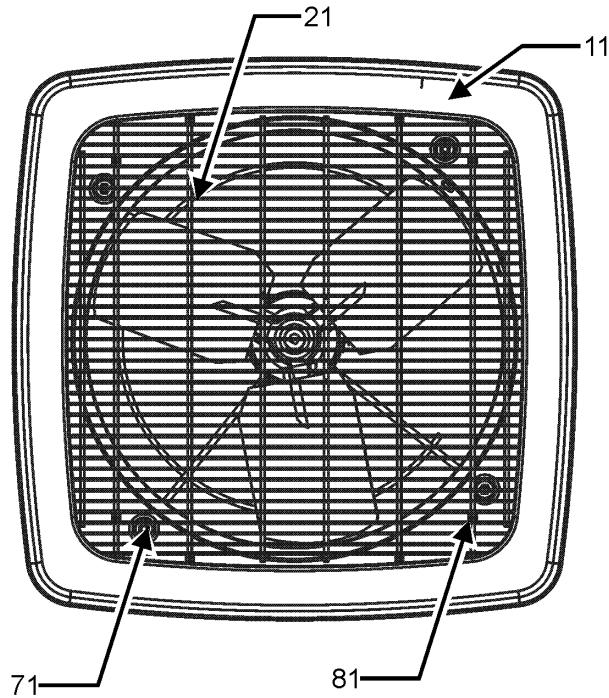
Expanded Model Nomenclature

- | |
|-------------------|
| M1 - DZ11TA0903AA |
| M2 - DZ11TA0904AA |
| M3 - DZ11TA1203AA |
| M4 - DZ11TA1203AB |
| M5 - DZ11TA1204AA |

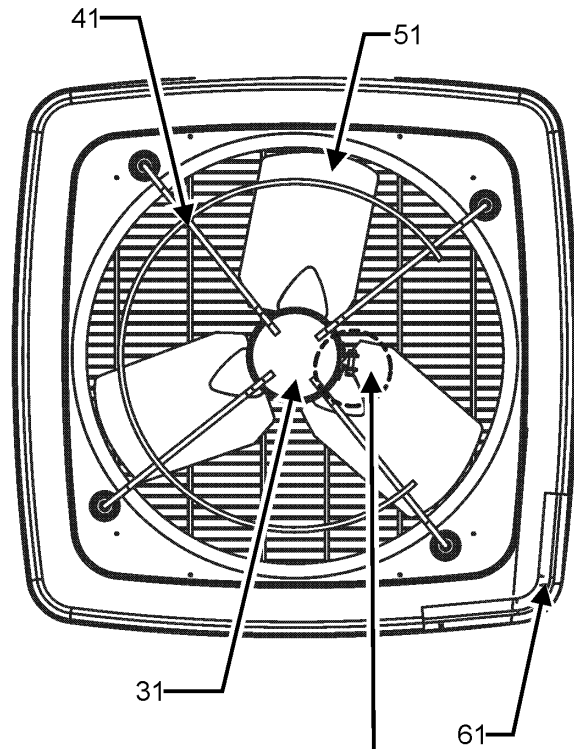
TOP AND LOUVER PANEL ASSEMBLY

TOP PANEL AND LOUVER PANEL ASSEMBLY MAY DIFFER FROM WHAT IS SHOWN

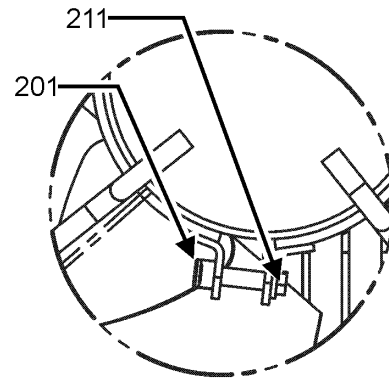
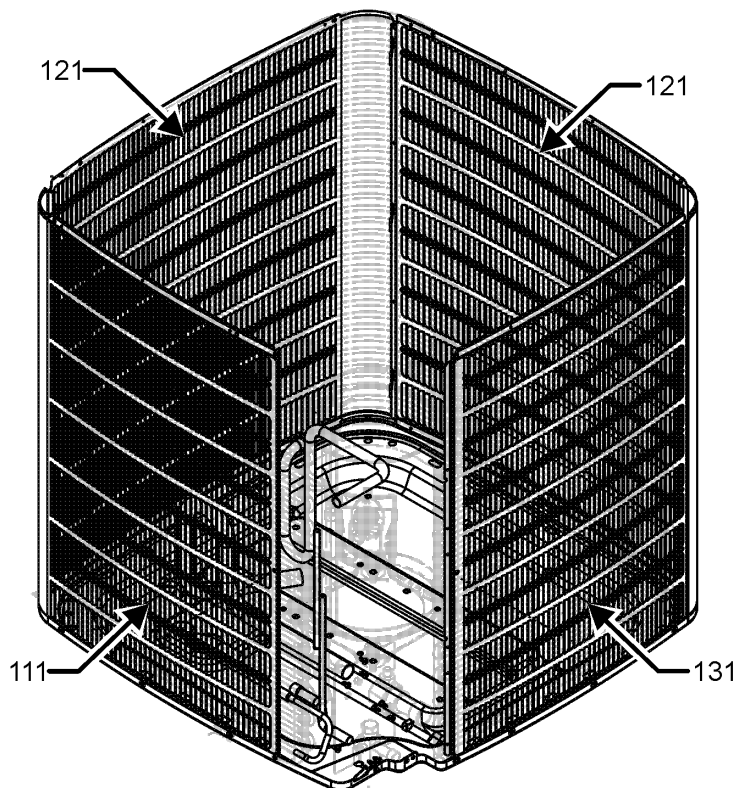
TOP PANEL ASSEMBLY
TOP VIEW



TOP PANEL ASSEMBLY
BOTTOM VIEW



SEE MOTOR
MOUNTING
BRACKET
DETAIL



MOTOR MOUNTING
BRACKET
DETAIL

LOUVER PANEL ASSEMBLY

TOP AND LOUVER PANEL ASSEMBLY

Ref. Part No:	No:	Description:	Ref. Part No:	No:	Description:
---------------	-----	--------------	---------------	-----	--------------

Image 1:

11	0121R00013PNG	VENTURI TOP PANEL 35"
21	0152R00013	GRILL, WIRE 35" COM TOP
31	0131M00860	MOTOR 1HP 1SP 230V (M1, M3, M4)
31	0131M00861	MOTOR, 1HP, 1SP, 460V (M2, M5)
41	0121R00301	BRACKET, MOTOR MOUNTING
51	0150M00049	FAN BLADE, 26"
61	0154R00006	CONTROL PANEL GASKET
71	B1393024	LOCK NUT
81	0163M00003P	SCREW,#10 X 1/2,A,SLOT,SR,BLK
111	0121R00601PNG	PANEL 1, LOUVER 35_39.84 PNT
121	0121R00514PNG	PANEL 2, LOUVER 35_39.84 PNT (QTY 2)
131	0121R00603PNG	PANEL 3, LOUVER 35_39.84 PNT
201	B1393804	NYLON LOCKNUT .31-18
211	0163M00129	SCREW H2 .31 X 1.52

Expanded Model Nomenclature

M1 - DZ11TA0903AA
M2 - DZ11TA0904AA
M3 - DZ11TA1203AA
M4 - DZ11TA1203AB
M5 - DZ11TA1204AA