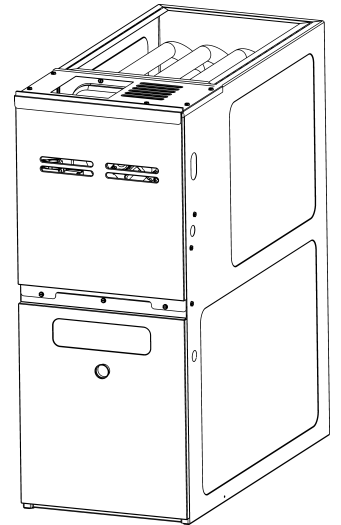


AC9C 80% Two Stage 9 Speed ECM Motor Furnace

AC9C800403AXAA
AC9C800603AXAA
AC9C800603BXAA
AC9C800804BXAA
AC9C800805CXAA
AC9C801005CXAA



Amana® is a registered trademark of Maytag Corporation or its related companies and is used under license. All rights reserved.

This manual is to be used by qualified technicians only.

Important Information

Index

Functional Parts List	3
Illustration and Parts	4 - 9

Views shown are for parts illustrations only, not servicing procedures.

Text Codes:

AR - As Required

NA - Not Available

NS - Not Shown

00000000 - See Note

QTY - Quantity Example (QTY 3) (If Quantity not shown, Quantity = 1)

M - Model Example (M1) (If M Code not shown, then part is used on all Models)

Expanded Model Nomenclature:

Example
M1 - Model#1
M2 - Model#2
M3 - Model#3

Goodman Company, L.P. is not responsible for personal injury or property damage resulting from improper service. Review all service information before beginning repairs.

Warranty service must be performed by an authorized technician, using authorized factory parts. If service is required after the warranty expires, Goodman Company, L.P. also recommends contacting an authorized technician and using authorized factory parts.

Goodman Company, L.P. reserves the right to discontinue, or change at any time, specifications or designs without notice or without incurring obligations.

For assistance within the U.S.A. contact:

Homeowner Support
Goodman Company, L.P.
19001 Kermier Road
Waller, Texas 77484
877-254-4729-Telephone
713-863-2382-Facsimile

For assistance outside the U.S.A. contact:

International Division
Goodman Company, L.P.
19001 Kermier Road
Waller, Texas 77484
713-861-2500-Telephone
713-863-2382-Facsimile

Functional Parts

Part

No: Description:

0130F00792	AIR PRESSURE SWITCH (M5, M6)
0130F00795	AIR PRESSURE SWITCH (M1, M2)
0130F00791	AIR PRESSURE SWITCH (M3, M4)
PCBBF164	CIRCUIT BOARD, FURNACE
0130F00010	FLAME SENSOR
0151M00027	GAS VALVE
10690402	INTERLOCK SWITCH
0130F00071	LIMIT SWITCH (M3)
0130F00038	LIMIT, PRIMARY 120 LT BLUE
0130F00067	LIMIT-RED (M5, M6)
10123529	MANUAL RESET R.O.S. LIMIT
0131F00191	MOTOR PROGRAMMED (M4)
0131F00188	MOTOR PROGRAMMED (M1)
0131F00190	MOTOR PROGRAMMED (M3)
0131F00192	MOTOR PROGRAMMED (M5)
0131F00193	MOTOR PROGRAMMED (M6)
0131F00189	MOTOR PROGRAMMED (M2)
0131M00781P	MOTOR, VENT 2-STAGE
0130F00036	PRIMARY LIMIT - PINK 180° (M1, M2, M4)
0130F00008	SINI IGNITOR
0130M00140	TRANSFORMER,(120V TO 24V,40VA,

SPECIAL PARTS

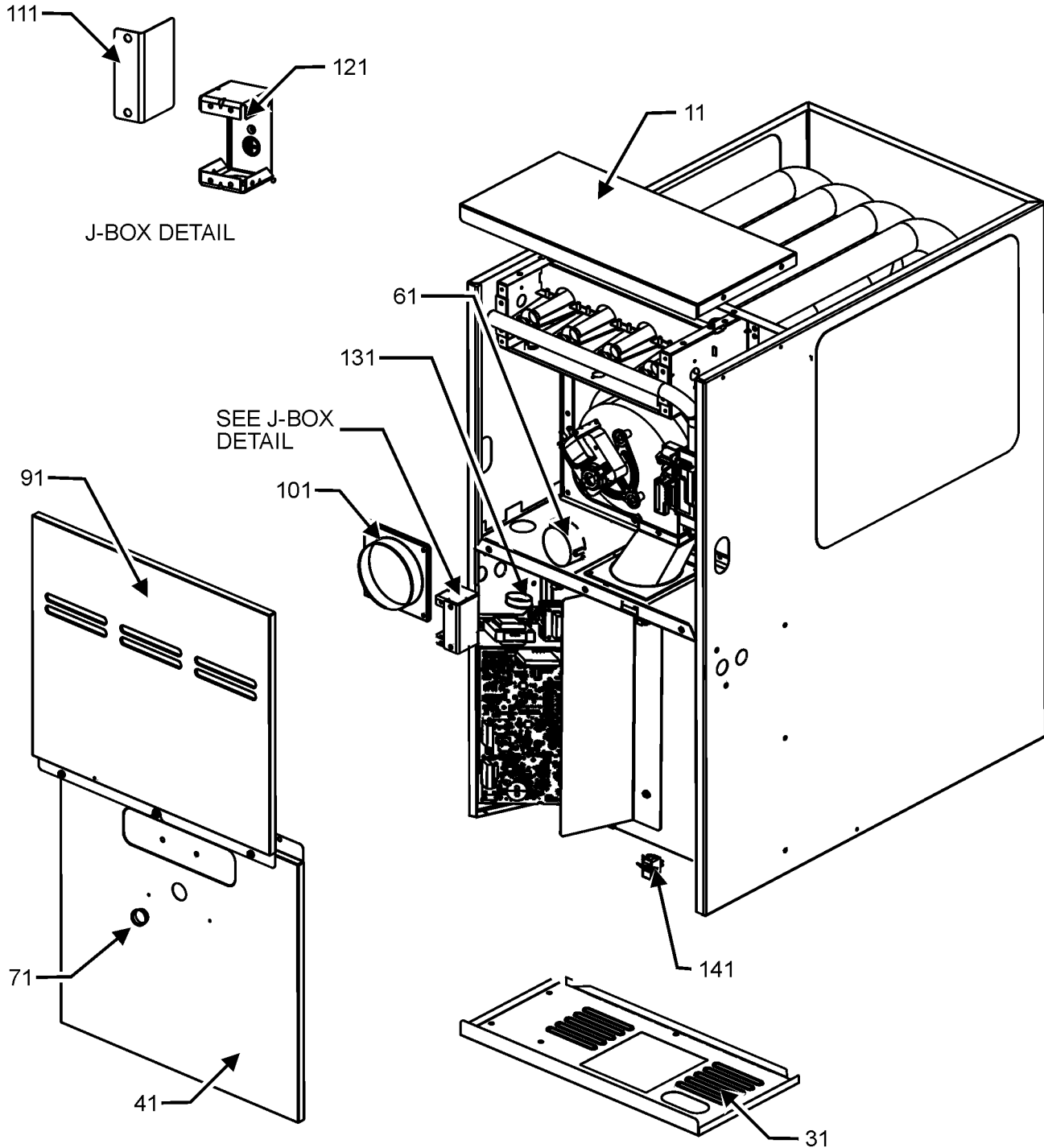
HI-130	HOMEOWNERS INSTRUCTIONS
IOG-2026	INSTALLATION INSTRUCTIONS
0161F00006	NAMEPLATE, AMANA
PWAFURNLQNT	WARRANTY, PRODUCT

Expanded Model Nomenclature

M1 - AC9C800403AXAA
M2 - AC9C800603AXAA
M3 - AC9C800603BXAA
M4 - AC9C800804BXAA
M5 - AC9C800805CXAA
M6 - AC9C801005CXAA

Cabinet Assembly

CABINET ASSEMBLY



NOTE: CABINET ASSEMBLY MAY DIFFER FROM WHAT IS SHOWN

Cabinet Assembly

Ref. Part No:	Part No:	Description:	Ref. Part No:	Part No:	Description:
---------------	----------	--------------	---------------	----------	--------------

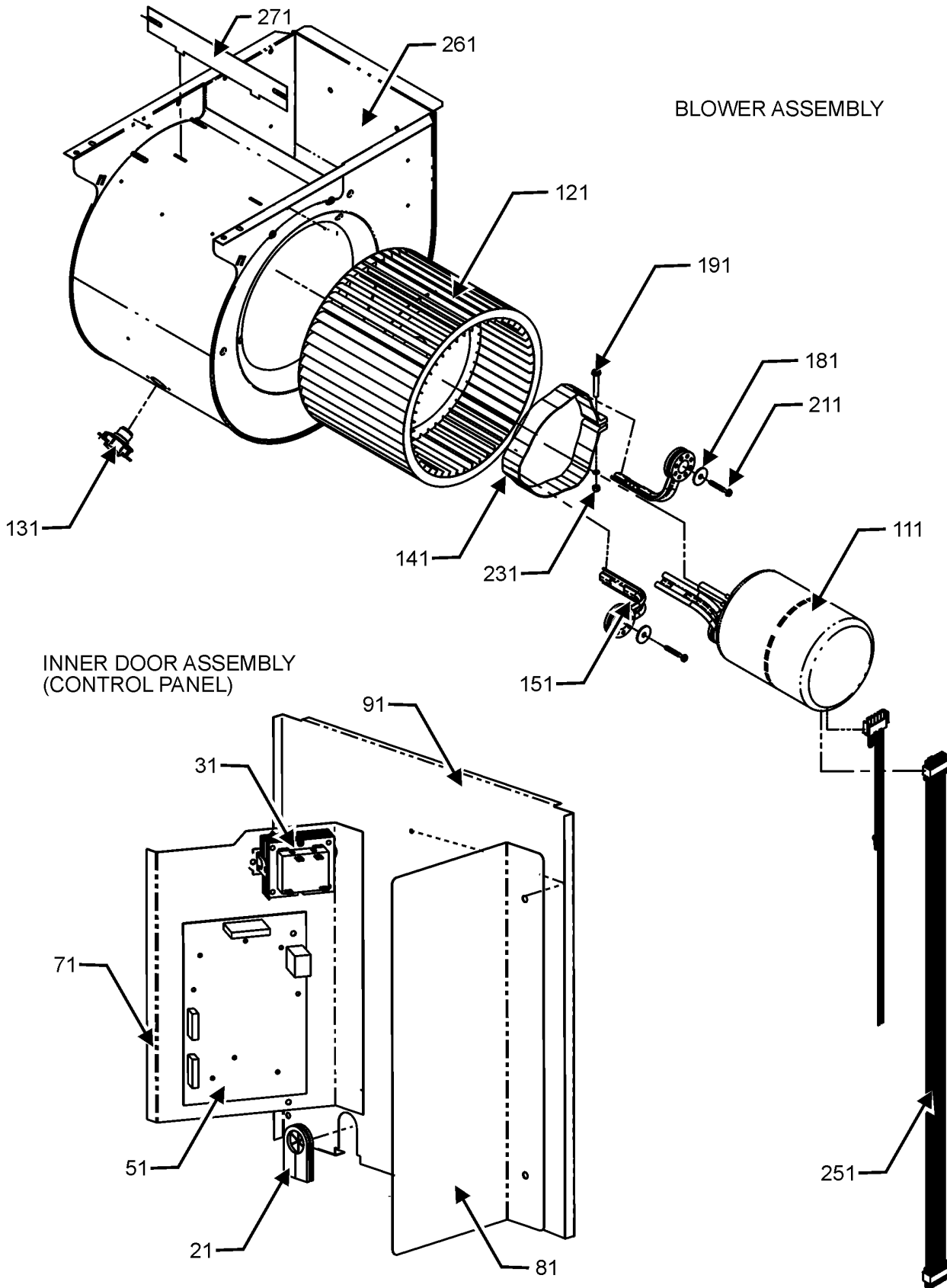
Image 1:

11	0121F00183DG	PAINTED 14" FURNACE BOTTOM (M1, M2)
11	0121F00190DG	PAINTED 17.5" FURNACE BOTTOM (M3, M4)
11	0121F00191DG	PAINTED 21" FURNACE BOTTOM (M5, M6)
31	0121F00141DG	TOP, FURNACE 14"-PAINTED (M1, M2)
31	0121F00142DG	TOP, FURNACE 17.5"-PAINTED (M3, M4)
31	0121F00143DG	TOP, FURNACE 21"-PAINTED (M5, M6)
61	0130F00791	AIR PRESSURE SWITCH (M3, M4)
61	0130F00792	AIR PRESSURE SWITCH (M5, M6)
61	0130F00795	AIR PRESSURE SWITCH (M1, M2)
71	B1392139	VIEW PORT BUSHING-BLOWER DOOR
91	0121F00118LG	DOOR CTRL ACCESS, 14"-PAINTED (M1, M2)
91	0121F00120LG	DOOR CTRL ACCESS, 21"-PAINTED (M5, M6)
91	0121F00119LG	DOOR CTRL ACCESS, 17.5"-PAINTED (M3, M4)
101	4023500	CHIMNEY TRANSITION TOP
111	4015502	J-BOX COVER
121	4014502	J-BOX
131	0163F00001	UNIVERSAL BUSHING WITH SLICE (M1, M2)
131	B1392147	UNIVERSAL BUSHING WITH SLICE (M3, M4, M5, M6)
141	10690402	INTERLOCK SWITCH
NS	HI-130	HOMEOWNERS INSTRUCTIONS
NS	IOG-2026	INSTALLATION INSTRUCTIONS
NS	0161F00006	NAMEPLATE, AMANA
NS	PWAFURNLQNT	WARRANTY, PRODUCT

Expanded Model Nomenclature

- | |
|---------------------|
| M1 - AC9C800403AXAA |
| M2 - AC9C800603AXAA |
| M3 - AC9C800603BXAA |
| M4 - AC9C800804BXAA |
| M5 - AC9C800805CXAA |
| M6 - AC9C801005CXAA |

Blower and Control Panel Assembly



NOTE: BLOWER AND INNER DOOR ASSEMBLY MAY DIFFER FROM WHAT IS SHOWN

Blower and Control Panel Assembly

Ref. Part No:	Ref. Part No:	Description:	Description:
---------------	---------------	--------------	--------------

Image 1:

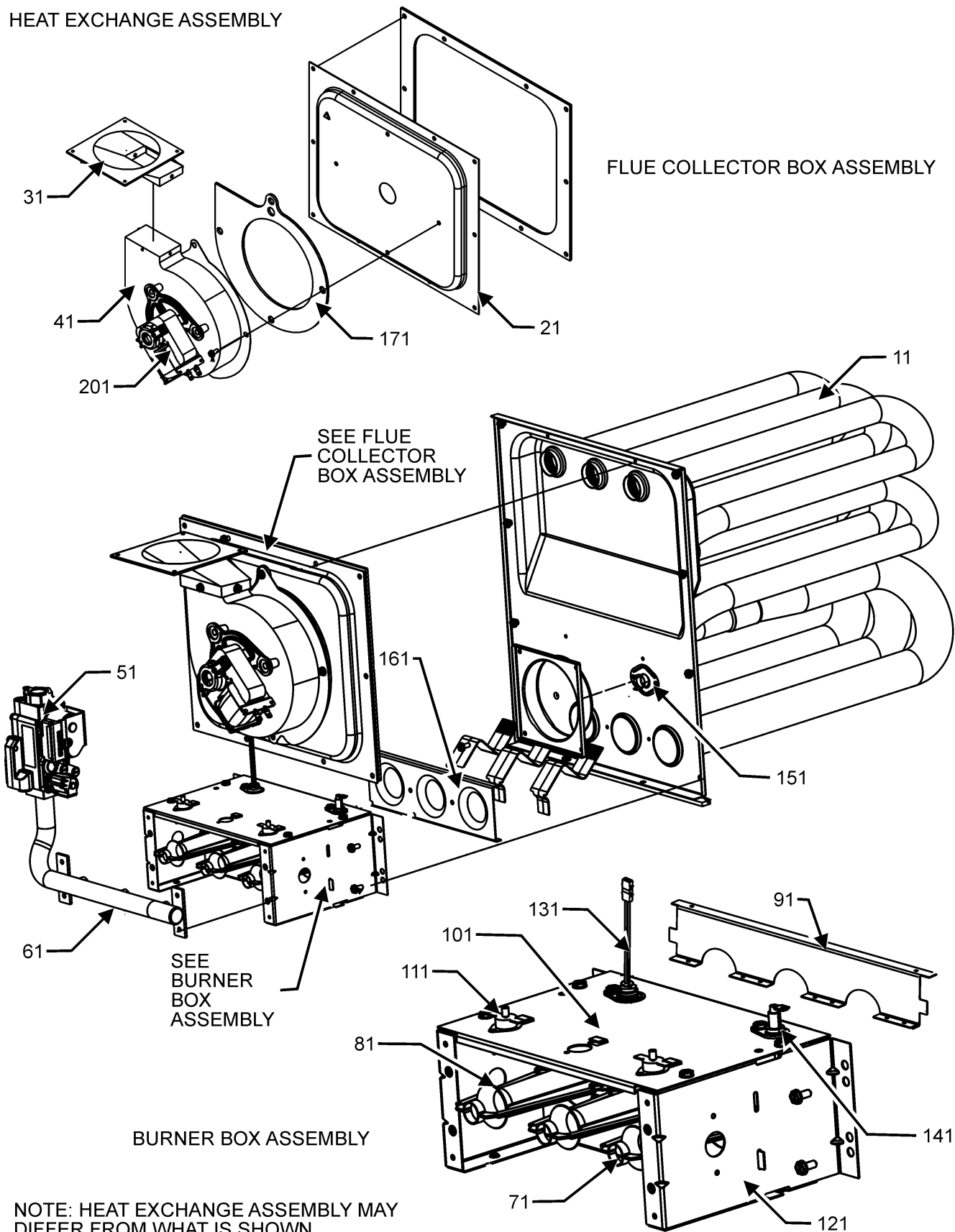
21	20477501	GROMMET-HORSESHOE
31	0130M00140	TRANSFORMER,(120V TO 24V,40VA,
51	PCBBF164	CIRCUIT BOARD, FURNACE
71	0121F00763	80% D.F A CAB PCB MTG PANEL (M1, M2)
71	0121F00764	80% DF B & C CAB PCB MTG PANEL (M3, M4, M5, M6)
81	0121F00229	HEAT SHIELD
91	0121F00741	DOOR, INNER 14" (M1, M2)
91	0121F00227	DOOR, INNER 17.5" (M3, M4)
91	0121F00228	DOOR, INNER 21" (M5, M6)
111	0131F00188	MOTOR PROGRAMMED (M1)
111	0131F00189	MOTOR PROGRAMMED (M2)
111	0131F00190	MOTOR PROGRAMMED (M3)
111	0131F00191	MOTOR PROGRAMMED (M4)
111	0131F00192	MOTOR PROGRAMMED (M5)
111	0131F00193	MOTOR PROGRAMMED (M6)
121	0150M00042	WHEEL, BLOWER (10 X 10) (M5, M6)
121	0150M00043	WHEEL, BLOWER (10 X 8) (M3, M4)
121	0150M00061	WHEEL,BLOWER (M1, M2)
131	0130F00038	LIMIT, PRIMARY 120 LT BLUE
141	0121M00039	MOUNT BAND, MOTOR (HEAVY DUTY)
151	0163M00538	MOUNT ARM, MOTOR (QTY 3)
181	B1392918	WASHER, FLAT 1/4 ID X 1 OD (QTY 3)
191	0163M00320	HEX HEAD ALL THREAD TAP BOLT
211	M0250565	SCREW-TC 1.25" (QTY 3)
211	M0250565	SCREW-TC 1.25" (QTY 3)
231	B1393800	LOCKNUT, NYLON INSERT 1/4 20
251	0159F00119	CTM,MOTOR HARNESS
261	2539307	BLWR SHL ASM 10X10 10X10 (M5, M6)
261	2539305	BLWR SHL ASM 10X6 10X6 (M1, M2)
261	2539306	BLWR SHL ASM 10X8 10X8 (M3, M4)
271	764741	BLWR BLK-OFF,10X10 (M5, M6)
271	764739	BLWR BLK-OFF,10X6 (M1, M2)
271	764740	BLWR BLK-OFF,10X8 (M3, M4)

Expanded Model Nomenclature

M1 - AC9C800403AXAA
M2 - AC9C800603AXAA
M3 - AC9C800603BXAA
M4 - AC9C800804BXAA
M5 - AC9C800805CXAA
M6 - AC9C801005CXAA

Heat Exchange Assembly

HEAT EXCHANGE ASSEMBLY



Heat Exchange Assembly

Ref. Part No:	Ref. Part No:	Description:	Description:
Image 1:			
11	0270F03529	HEAT EXCHANGER ASSY (M1)	
11	0270F03530	HEAT EXCHANGER ASSY (M2)	
11	0270F03531	HEAT EXCHANGER ASSY (M3)	
11	0270F03532	HEAT EXCHANGER ASSY (M4)	
11	0270F03533	HEAT EXCHANGER ASSY (M5)	
11	0270F03534	HEAT EXCHANGER ASSY (M6)	
21	0121F00332	17.5" COLLECTOR BOX 1.375" DIA (M3)	
21	0121F00331	17.5" COLLECTOR BOX 1.500" DIA (M4)	
21	0121F00365	21" COLLECTOR BOX 1.437" DIA. (M5)	
21	0121F00333	21" COLLECTOR BOX 1.75" DIA (M6)	
21	0121F00126	COLLECTOR BOX 14" 1.375 DIA (M2)	
21	0121F00781	COLLECTOR BOX, 14" (M1)	
31	0128F00006	TRANSITION, BOTTOM	
41	0131M00781P	MOTOR, VENT 2-STAGE	
51	0151M00027	GAS VALVE	
61	0120F00006	MANIFOLD (M1)	
61	0120F00007	MANIFOLD (M2, M3)	
61	0120F00008	MANIFOLD (M4, M5)	
61	0120F00009	MANIFOLD (M6)	
71	10716005	ORIFICE (QTY 2)	
81	B4022700	INSHOT BURNER ASSY 3" (QTY 2)	
91	0121F00167	BURNER RACK, 2 CELL (M1)	
91	0121F00168	BURNER RACK, 3 CELL (M2, M3)	
91	0121F00169	BURNER RACK, 4 CELL (M4, M5)	
91	0121F00170	BURNER RACK, 5 CELL (M6)	
101	0121F00162	TOP, BURNER BOX 2 CELL (M1)	
101	0121F00759	TOP, BURNER BOX 3 CELL (M2, M3)	
101	0121F00760	TOP, BURNER BOX 4 CELL (M4, M5)	
101	0121F00761	TOP, BURNER BOX 5 CELL (M6)	
111	10123529	MANUAL RESET R.O.S. LIMIT	
121	0121F00146	SIDE PLATE-BURNER BOX (QTY 2)	
131	0130F00008	SINI IGNITOR	
141	0130F00010	FLAME SENSOR	
151	0130F00071	LIMIT SWITCH (M3)	
151	0130F00067	LIMIT-RED (M5, M6)	
151	0130F00036	PRIMARY LIMIT - PINK 180° (M1, M2, M4)	
161	4028000	ORIFICE PLATE, 2CELL (M1)	
161	4028001	ORIFICE PLATE, 3CELL (M2, M3)	
161	4028002	ORIFICE PLATE, 4 CELL (M4, M5)	
161	4028003	ORIFICE PLATE, 5CELL (M6)	
171	0154F00003	GASKET-14 INCH (M1, M2)	
171	0154F00004	GASKET-17.5 INCH (M3, M4)	
171	0154F00005	GASKET-21 INCH (M5, M6)	
201	DY6.186.070	VENT MOTOR CAPACITOR	
NS	0259F00066	INDUCER HARNESS ASSY	
NS	0159F00138	WIRE HARNESS (M2, M3, M4, M5, M6)	
NS	0159F00139	WIRE HARNESS (M1)	

Expanded Model Nomenclature

M1 - AC9C800403AXAA
M2 - AC9C800603AXAA
M3 - AC9C800603BXAA
M4 - AC9C800804BXAA
M5 - AC9C800805CXAA
M6 - AC9C801005CXAA