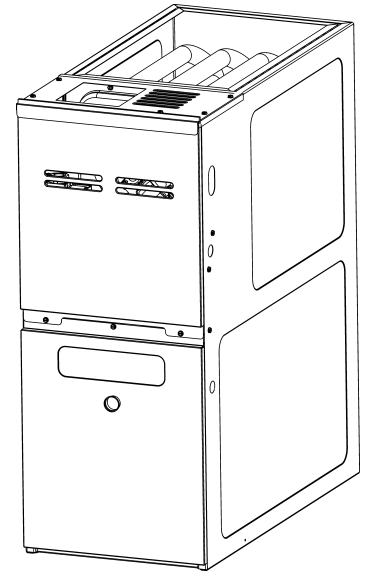


## AM9C 80% Two Stage 9 Speed ECM Motor Furnace

AM9C800403ANAA  
AM9C800603BNAA  
AM9C800603BXAA  
AM9C800803BNAA  
AM9C800803BXAA  
AM9C800804BNAA  
AM9C800804BXAA  
AM9C800804CNAA  
AM9C800804CXAA  
AM9C800805CNAA  
AM9C800805CXAA  
AM9C800805DXAA  
AM9C801005CNAA  
AM9C801005CXAA



Amana® is a registered trademark of Maytag Corporation or its related companies and is used under license. All rights reserved.

This manual is to be used by qualified technicians only.

# Important Information

---

## Index

Functional Parts List .....	3
Illustration and Parts .....	4 - 9

*Views shown are for parts illustrations only, not servicing procedures.*

### Text Codes:

AR - As Required

NA - Not Available

NS - Not Shown

00000000 - See Note

QTY - Quantity Example (QTY 3) (If Quantity not shown, Quantity = 1)

M - Model Example (M1) (If M Code not shown, then part is used on all Models)

### Expanded Model Nomenclature:

Example M1 - Model#1 M2 - Model#2 M3 - Model#3
---

Goodman Company, L.P. is not responsible for personal injury or property damage resulting from improper service. Review all service information before beginning repairs.

Warranty service must be performed by an authorized technician, using authorized factory parts. If service is required after the warranty expires, Goodman Company, L.P. also recommends contacting an authorized technician and using authorized factory parts.

Goodman Company, L.P. reserves the right to discontinue, or change at any time, specifications or designs without notice or without incurring obligations.

For assistance within the U.S.A. contact:

Homeowner Support  
Goodman Company, L.P.  
19001 Kermier Road  
Waller, Texas 77484  
877-254-4729-Telephone  
713-863-2382-Facsimile

For assistance outside the U.S.A. contact:

International Division  
Goodman Company, L.P.  
19001 Kermier Road  
Waller, Texas 77484  
713-861-2500-Telephone  
713-863-2382-Facsimile

# Functional Parts

## Part

## No: Description:

---

20162904	*PRIMARY LIMIT-TEMPERATURE CONTROL (M4, M5, M6, M7, M8, M9, M12)
0130F00791	AIR PRESSURE SWITCH (M6, M7, M13, M14)
0130F00795	AIR PRESSURE SWITCH (M1, M2, M3, M12)
0130F00794	AIR PRESSURE SWITCH (M8, M9)
0130F00792	AIR PRESSURE SWITCH (M4, M5, M10, M11)
PCBBF164	CIRCUIT BOARD, FURNACE
0130F00010	FLAME SENSOR
0151M00027	GAS VALVE
10690402	INTERLOCK SWITCH
20162903	LIMIT, PRIMARY (M2, M3)
20162905	LIMIT, PRIMARY (M13, M14)
20162906	LIMIT, PRIMARY (M1)
0130F00038	LIMIT, PRIMARY 120 LT BLUE
0130M00063	LIMIT, PRIMARY, 140, GOLD (M10, M11)
10123529	MANUAL RESET R.O.S. LIMIT (QTY 2)
0131F00198	MOTOR PROGRAMMED (M8, M9)
0131F00194	MOTOR PROGRAMMED (M1)
0131F00195	MOTOR PROGRAMMED (M2, M3)
0131F00197	MOTOR PROGRAMMED (M6, M7)
0131F00199	MOTOR PROGRAMMED (M10, M11)
0131F00200	MOTOR PROGRAMMED (M12)
0131F00201	MOTOR PROGRAMMED (M13, M14)
0131F00196	MOTOR PROGRAMMED (M4, M5)
0131M00781P	MOTOR, VENT 2-STAGE
0130F00008	SINI IGNITOR
0130M00140	TRANSFORMER,(120V TO 24V,40VA,

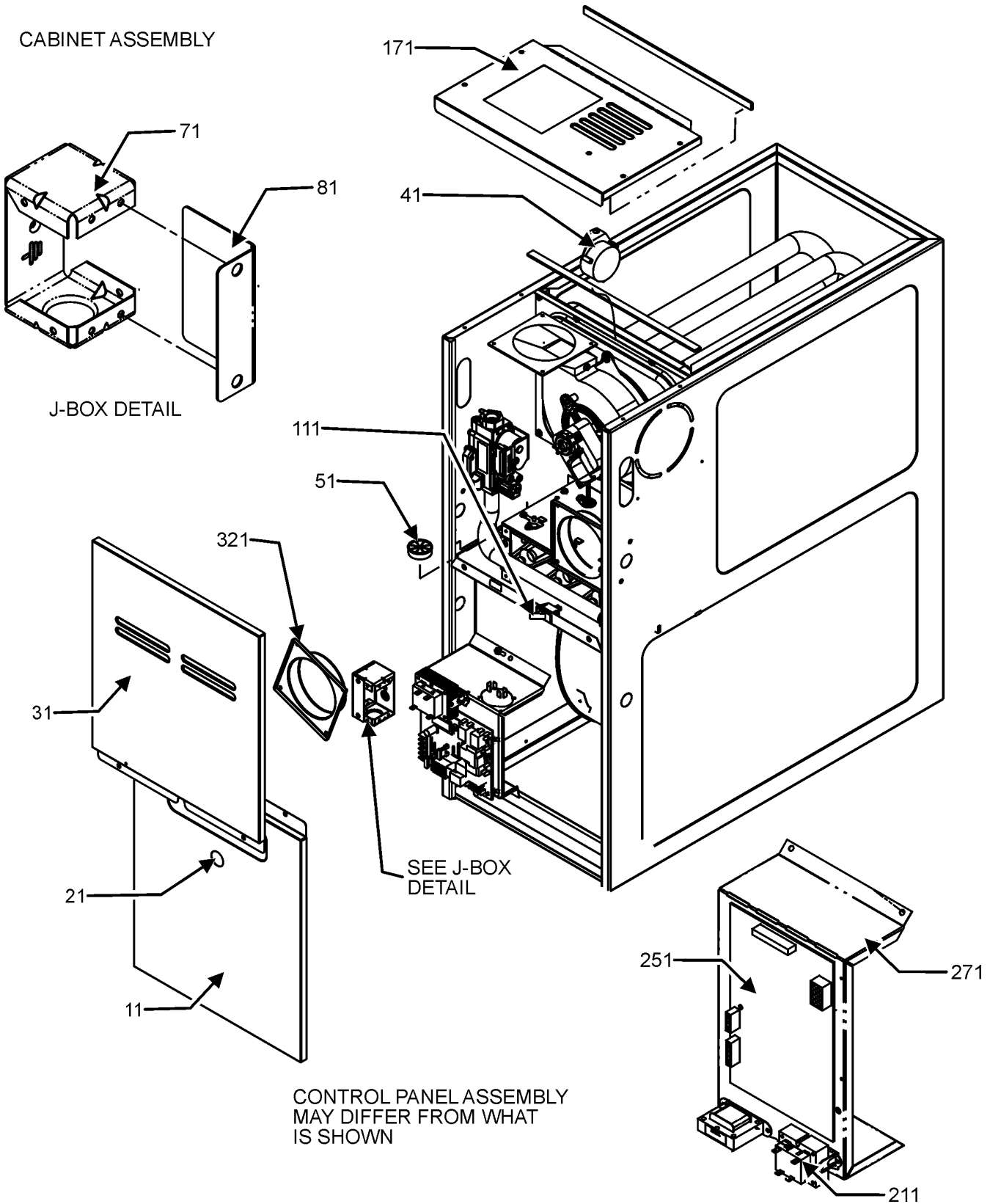
### SPECIAL PARTS

0161F00006	AMANA NAMEPLATE
HI-130	HOMEOWNERS INSTRUCTIONS
IOG-2026	INSTALLATION INSTRUCTIONS
PWAFURNLQNT	WARRANTY, PRODUCT

### Expanded Model Nomenclature

M1 - AM9C800403ANAA
M2 - AM9C800603BNAA
M3 - AM9C800603BXAA
M4 - AM9C800803BNAA
M5 - AM9C800803BXAA
M6 - AM9C800804BNAA
M7 - AM9C800804BXAA
M8 - AM9C800804CNAA
M9 - AM9C800804CXAA
M10 - AM9C800805CNAA
M11 - AM9C800805CXAA
M12 - AM9C800805DXAA
M13 - AM9C801005CNAA
M14 - AM9C801005CXAA

# Cabinet and Control Panel Assembly



CABINET ASSEMBLY MAY DIFFER FROM WHAT IS SHOWN

CONTROL PANEL ASSEMBLY

# Cabinet and Control Panel Assembly

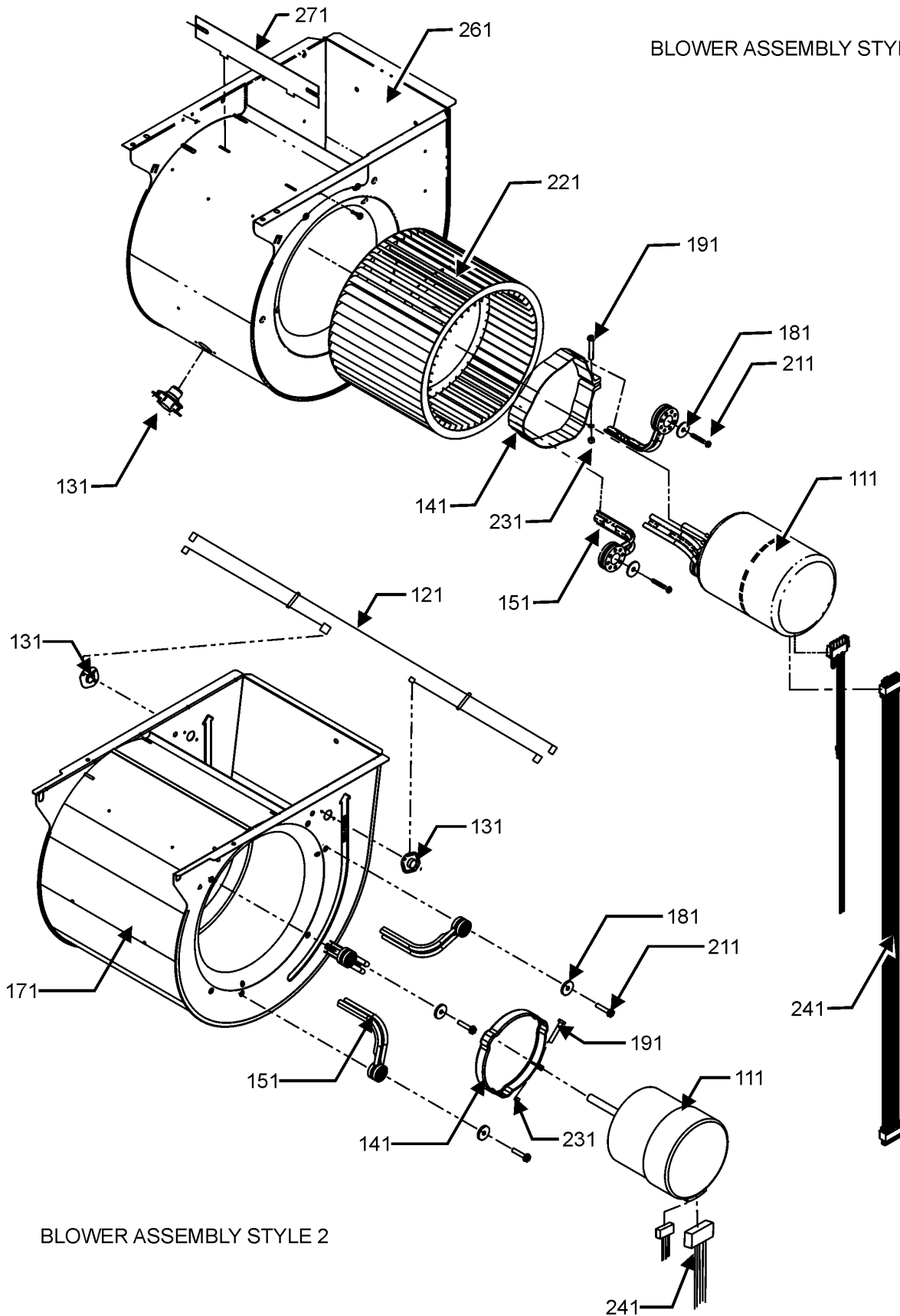
Ref. Part No:	No:	Description:	Ref. Part No:	No:	Description:
<b>Image 1:</b>					
11	0121F00122LG	DOOR, BLOWER, 14"-PAINTED (M1)			
11	0121F00123LG	DOOR, BLOWER, 17.5" PAINTED (M2, M3, M4, M5, M6, M7)			
11	0121F00124LG	DOOR, BLOWER, 21"-PAINTED (M8, M9, M10, M11, M13, M14)			
11	0121F00125LG	DOOR, BLOWER, 24.5"-PAINTED (M12)			
21	B1392139	VIEW PORT BUSHING-BLOWER DOOR			
31	0121F00118LG	DOOR CTRL ACCESS, 14"-PAINTED (M1)			
31	0121F00120LG	DOOR CTRL ACCESS, 21"-PAINTED (M8, M9, M10, M11, M13, M14)			
31	0121F00121LG	DOOR CTRL ACCESS, 24.5"PAINTED (M12)			
31	0121F00119LG	DOOR CTRL ACCESS,17.5"-PAINTED (M2, M3, M4, M5, M6, M7)			
41	0130F00791	AIR PRESSURE SWITCH (M6, M7, M13, M14)			
41	0130F00792	AIR PRESSURE SWITCH (M4, M5, M10, M11)			
41	0130F00794	AIR PRESSURE SWITCH (M8, M9)			
41	0130F00795	AIR PRESSURE SWITCH (M1, M2, M3, M12)			
51	B1392147	UNIVERSAL BUSHING WITH SLICE			
71	4014502	J-BOX			
81	4015502	COVER, J-BOX			
111	10690402	INTERLOCK SWITCH			
171	0121F00141DG	TOP, FURNACE 14"-PAINTED (M1)			
171	0121F00142DG	TOP, FURNACE 17.5"-PAINTED (M2, M3, M4, M5, M6, M7)			
171	0121F00143DG	TOP, FURNACE 21"-PAINTED (M8, M9, M10, M11, M13, M14)			
171	0121F00463DG	TOP, FURNACE 24.5" PAINTED (M12)			
211	0130M00140	TRANSFORMER,(120V TO 24V,40VA,			
251	PCBBF164	CIRCUIT BOARD, FURNACE			
271	0121F00464	MOUNTING PLATE-CONTROLS			
321	4023500	CHIMNEY TRANSITION TOP			
NS	0161F00006	AMANA NAMEPLATE			
NS	HI-130	HOMEOWNERS INSTRUCTIONS			
NS	IOG-2026	INSTALLATION INSTRUCTIONS			
NS	PWAFURNLQNT	WARRANTY, PRODUCT			

## Expanded Model Nomenclature

M1 - AM9C800403ANAA
M2 - AM9C800603BNAA
M3 - AM9C800603BXAA
M4 - AM9C800803BNAA
M5 - AM9C800803BXAA
M6 - AM9C800804BNAA
M7 - AM9C800804BXAA
M8 - AM9C800804CNAA
M9 - AM9C800804CXAA
M10 - AM9C800805CNAA
M11 - AM9C800805CXAA
M12 - AM9C800805DXAA
M13 - AM9C801005CNAA
M14 - AM9C801005CXAA

# Blower Assembly

BLOWER ASSEMBLY STYLE 1



# Blower Assembly

Ref. Part No:	Part No:	Description:	Ref. Part No:	Part No:	Description:
---------------	----------	--------------	---------------	----------	--------------

**Image 1:**

111	0131F00194	MOTOR PROGRAMMED (M1)
111	0131F00195	MOTOR PROGRAMMED (M2, M3)
111	0131F00196	MOTOR PROGRAMMED (M4, M5)
111	0131F00197	MOTOR PROGRAMMED (M6, M7)
111	0131F00198	MOTOR PROGRAMMED (M8, M9)
111	0131F00199	MOTOR PROGRAMMED (M10, M11)
111	0131F00200	MOTOR PROGRAMMED (M12)
111	0131F00201	MOTOR PROGRAMMED (M13, M14)
121	0259F00024	WIRE HARNESS-BLOWER (M12)
131	0130F00038	LIMIT, PRIMARY 120 LT BLUE
141	0121M00039	MOTOR MOUNT BAND (HEAVY DUTY)
151	0163M00538	MOUNT ARM, MOTOR (QTY 3)
171	0271F00303	BLOWER SHELL & WHEEL (M12)
181	B1392918	WASHER, FLAT 1/4 ID X 1 OD (QTY 3)
191	0163M00320	HEX HEAD ALL THREAD TAP BOLT
211	M0250565	SCREW-TC 1.25" (QTY 3)
221	0150M00042	WHEEL, BLOWER (10 X 10) (M8, M9, M10, M11, M13, M14)
221	0150M00043	WHEEL, BLOWER (10 X 8) (M2, M3, M4, M5, M6, M7)
221	0150M00061	WHEEL,BLOWER (M1)
231	B1393800	LOCKNUT, NYLON INSERT 1/4 20
241	0159F00119	CTM, MOTOR HARNESS
261	2539307	BLWR SHL ASM 10X10 10X10 (M8, M9, M10, M11, M13, M14)
261	2539305	BLWR SHL ASM 10X6 10X6 (M1)
261	2539306	BLWR SHL ASM 10X8 10X8 (M2, M3, M4, M5, M6, M7)
271	764741	BLWR BLK-OFF,10X10 (M8, M9, M10, M11, M13, M14)
271	764739	BLWR BLK-OFF,10X6 (M1)
271	764740	BLWR BLK-OFF,10X8 (M2, M3, M4, M5, M6, M7)

**Expanded Model Nomenclature**

M1 - AM9C800403ANAA
M2 - AM9C800603BNAA
M3 - AM9C800603BXAA
M4 - AM9C800803BNAA
M5 - AM9C800803BXAA
M6 - AM9C800804BNAA
M7 - AM9C800804BXAA
M8 - AM9C800804CNAA
M9 - AM9C800804CXAA
M10 - AM9C800805CNAA
M11 - AM9C800805CXAA
M12 - AM9C800805DXAA
M13 - AM9C801005CNAA
M14 - AM9C801005CXAA



# Heat Exchange Assembly

Ref. Part No:	Ref. Part No:	Description:	Description:
<b>Image 1:</b>		<b>Expanded Model Nomenclature</b>	
11	0270F00931	HEAT EXCHANGER ASSY (M1)	M1 - AM9C800403ANAA
11	0270F00933	HEAT EXCHANGER ASSY (M2, M3)	M2 - AM9C800603BNAA
11	0270F00934	HEAT EXCHANGER ASSY (M4, M5, M6, M7)	M3 - AM9C800603BXAA
11	0270F00935	HEAT EXCHANGER ASSY (M8, M9, M10, M11)	M4 - AM9C800803BNAA
11	0270F00936	HEAT EXCHANGER ASSY (M13, M14)	M5 - AM9C800803BXAA
11	0270F03017	HEAT EXCHANGER ASSY (M12)	M6 - AM9C800804BNAA
21	0121F00328	17.5" COLLECTOR BOX 1.250" DIA (M2, M3)	M7 - AM9C800804BXAA
21	0121F00334	21" COLLECTOR BOX 1.625" DIA (M12)	M8 - AM9C800804CNAA
21	0121F00333	21" COLLECTOR BOX 1.75" DIA (M13, M14)	M9 - AM9C800804CXAA
21	0121F00336	21" FLUE COLLECTOR BOX 1.50" (M10, M11)	M10 - AM9C800805CNAA
21	0121F00655	COLLECTOR BOX 17.5" 1.437 DIA (M4, M5, M6, M7)	M11 - AM9C800805CXAA
21	0121F00659	COLLECTOR BOX 21" 1.40 DIA (M8, M9)	M12 - AM9C800805DXAA
21	0121F00783	COLLECTOR BOX, 14" (M1)	M13 - AM9C801005CNAA
31	0128F00006	TRANSITION, BOTTOM	M14 - AM9C801005CXAA
41	0131M00781P	MOTOR, VENT 2-STAGE	
51	0151M00027	GAS VALVE	
61	0120F00006	MANIFOLD (M1)	
61	0120F00007	MANIFOLD (M2, M3)	
61	0120F00008	MANIFOLD (M4, M5, M6, M7, M8, M9, M10, M11, M12)	
61	0120F00009	MANIFOLD (M13, M14)	
71	10716005	ORIFICE (QTY 2)	
81	B4022700	INSHOT BURNER ASSY 3" (QTY 2)	
91	0121F00167	BURNER RACK, 2 CELL (M1)	
91	0121F00168	BURNER RACK, 3 CELL (M2, M3)	
91	0121F00169	BURNER RACK, 4 CELL (M4, M5, M6, M7, M8, M9, M10, M11, M12)	
91	0121F00170	BURNER RACK, 5 CELL (M13, M14)	
101	0121F00162	TOP, BURNER BOX 2 CELL (M1)	
101	0121F00759	TOP, BURNER BOX 3 CELL (M2, M3)	
101	0121F00760	TOP, BURNER BOX 4 CELL (M4, M5, M6, M7, M8, M9, M10, M11, M12)	
101	0121F00761	TOP, BURNER BOX 5 CELL (M13, M14)	
111	10123529	MANUAL RESET R.O.S. LIMIT (QTY 2)	
121	0121F00146	SIDE PLATE-BURNER BOX (QTY 2)	
131	0130F00008	SINI IGNITOR	
141	0130F00010	FLAME SENSOR	
151	20162904	*PRIMARY LIMIT-TEMPERATURE CONTROL (M4, M5, M6, M7, M8, M9, M12)	
151	20162903	LIMIT, PRIMARY (M2, M3)	
151	20162905	LIMIT, PRIMARY (M13, M14)	
151	20162906	LIMIT, PRIMARY (M1)	
151	0130M00063	LIMIT, PRIMARY, 140, GOLD (M10, M11)	
161	4028000	ORIFICE PLATE, 2CELL (M1)	
161	4028001	ORIFICE PLATE, 3CELL (M2, M3)	
161	4028002	ORIFICE PLATE, 4 CELL (M4, M5, M6, M7, M8, M9, M10, M11, M12)	
161	4028003	ORIFICE PLATE, 5CELL (M13, M14)	
171	0154F00003	GASKET-14 INCH (M1)	
171	0154F00004	GASKET-17.5 INCH (M2, M3, M4, M5, M6, M7)	
171	0154F00005	GASKET-21 INCH (M8, M9, M10, M11, M12, M13, M14)	
201	DY6.186.070	VENT MOTOR CAPACITOR	
NS	0259F00062	INDUCER HARNESS ASSY	
NS	0159F00138	WIRE HARNESS	