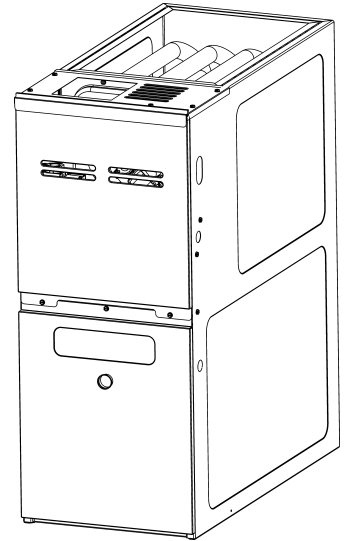


---

**GM9C 80% Two Stage 9 Speed ECM Motor Furnace**

GM9C800403ANAA  
GM9C800403AXAA  
GM9C800603ANAA  
GM9C800603AXAA  
GM9C800603BNAA  
GM9C800603BXAA  
GM9C800803BNAA  
GM9C800803BXAA  
GM9C800804BNAA  
GM9C800804BXAA  
GM9C800804CNAA  
GM9C800804CXAA  
GM9C800805CNAA  
GM9C800805CXAA  
GM9C800805DXAA  
GM9C801004CNAA  
GM9C801005CNAA  
GM9C801005CXAA  
GM9C801205DNAA



This manual is to be used by qualified technicians only.

# Important Information

---

## Index

Functional Parts List .....	3
Illustration and Parts .....	4 - 9

*Views shown are for parts illustrations only, not servicing procedures.*

### Text Codes:

AR - As Required

NA - Not Available

NS - Not Shown

00000000 - See Note

QTY - Quantity Example (QTY 3) (If Quantity not shown, Quantity = 1)

M - Model Example (M1) (If M Code not shown, then part is used on all Models)

### Expanded Model Nomenclature:

Example M1 - Model#1 M2 - Model#2 M3 - Model#3
---

Goodman Manufacturing Company, L.P. is not responsible for personal injury or property damage resulting from improper service. Review all service information before beginning repairs.

Warranty service must be performed by an authorized technician, using authorized factory parts. If service is required after the warranty expires, Goodman Manufacturing Company, L.P. also recommends contacting an authorized technician and using authorized factory parts.

Goodman Manufacturing Company, L.P. reserves the right to discontinue, or change at any time, specifications or designs without notice or without incurring obligations.

For assistance within the U.S.A. contact:  
Homeowner Support  
Goodman Manufacturing Company, L.P.  
19001 Kermier Road  
Waller, Texas 77484  
877-254-4729-Telephone  
713-863-2382-Facsimile

For assistance outside the U.S.A. contact:  
International Division  
Goodman Manufacturing Company, L.P.  
19001 Kermier Road  
Waller, Texas 77484  
713-861-2500-Telephone  
713-863-2382-Facsimile

# Functional Parts

## Part

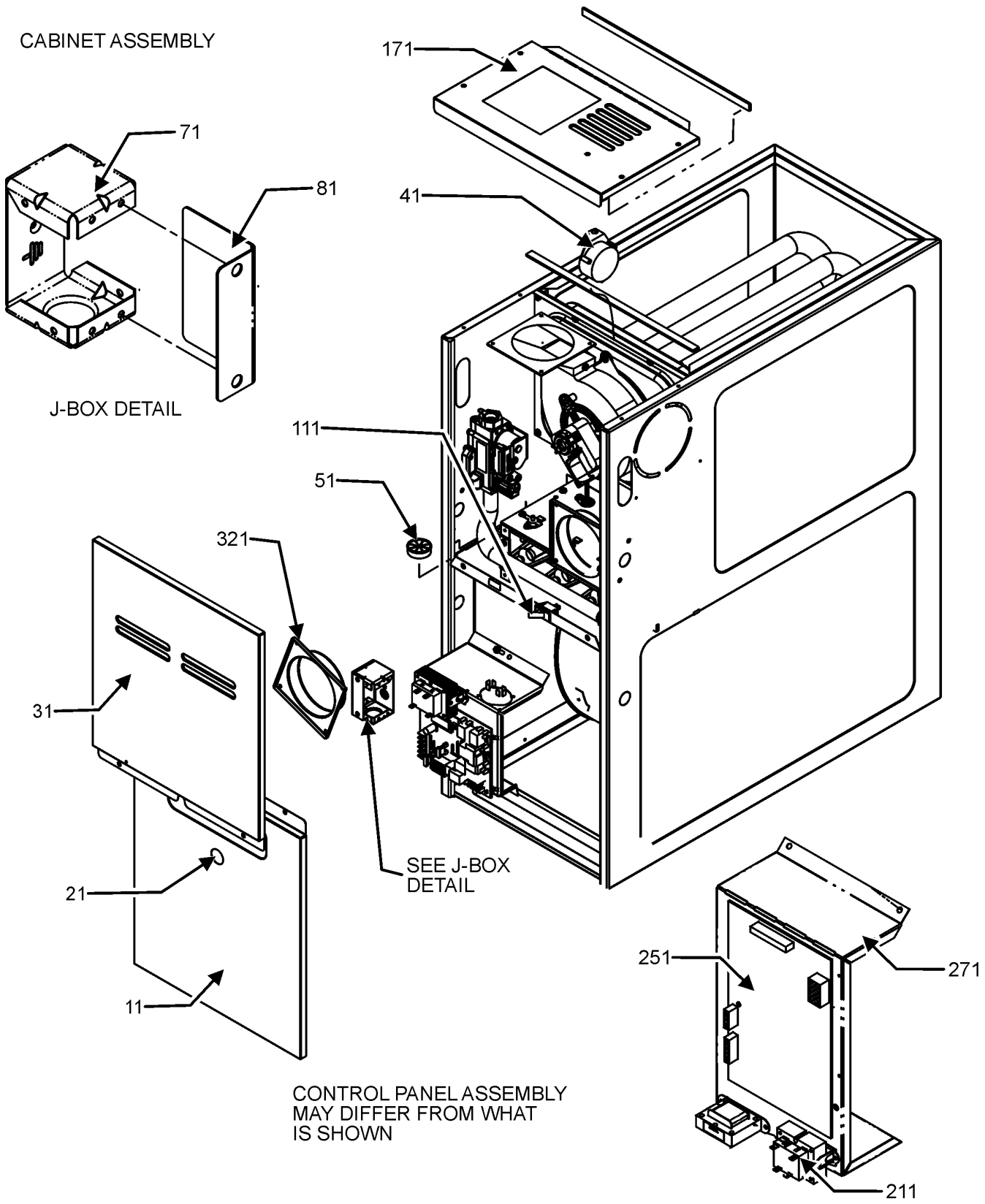
**No:**                      **Description:**

Part No:	Description:	Expanded Model Nomenclature
0130F00794	AIR PRESSURE SWITCH (M11, M12)	M1 - GM9C800403ANAA
0130F00791	AIR PRESSURE SWITCH (M9, M10, M16, M17, M18)	M2 - GM9C800403AXAA
0130F00795	AIR PRESSURE SWITCH (M1, M2, M5, M6, M15)	M3 - GM9C800603ANAA
0130F00792	AIR PRESSURE SWITCH (M3, M4, M7, M8, M13, M14, M19)	M4 - GM9C800603AXAA
PCBBF164	CIRCUIT BOARD, FURNACE	M5 - GM9C800603BNAA
0130F00010	FLAME SENSOR	M6 - GM9C800603BXAA
0151M00027	GAS VALVE	M7 - GM9C800803BNAA
10690402	INTERLOCK SWITCH	M8 - GM9C800803BXAA
0130F00105	LIMIT SWITCH (M11, M12, M13, M14)	M9 - GM9C800804BNAA
20162903	LIMIT, PRIMARY (M3, M4, M5, M6)	M10 - GM9C800804BXAA
20162904	LIMIT, PRIMARY (M7, M8, M9, M10)	M11 - GM9C800804CNAA
20162906	LIMIT, PRIMARY (M1, M2)	M12 - GM9C800804CXAA
20162905	LIMIT, PRIMARY (M17, M18)	M13 - GM9C800805CNAA
0130F00038	LIMIT, PRIMARY 120 LT BLUE	M14 - GM9C800805CXAA
0130M00063	LIMIT, PRIMARY, 140, GOLD (M15, M16, M19)	M15 - GM9C800805DXAA
10123529	MANUAL RESET R.O.S. LIMIT (QTY 2)	M16 - GM9C801004CNAA
0131F00200	MOTOR PROGRAMMED (M15)	M17 - GM9C801005CNAA
0131F00196	MOTOR PROGRAMMED (M7, M8)	M18 - GM9C801005CXAA
0131F00194	MOTOR PROGRAMMED (M1, M2)	M19 - GM9C801205DNAA
0131F00195	MOTOR PROGRAMMED (M5, M6)	
0131F00197	MOTOR PROGRAMMED (M9, M10)	
0131F00199	MOTOR PROGRAMMED (M13, M14)	
0131F00201	MOTOR PROGRAMMED (M17, M18)	
0131F00202	MOTOR PROGRAMMED (M19)	
0131F00203	MOTOR PROGRAMMED (M3, M4)	
0131F00204	MOTOR PROGRAMMED (M16)	
0131F00198	MOTOR PROGRAMMED (M11, M12)	
0131M00781P	MOTOR, VENT 2-STAGE	
0130F00008	SINI IGNITOR	
0130M00140	TRANSFORMER,(120V TO 24V,40VA,	

### SPECIAL PARTS

HI-130	HOMEOWNERS INSTRUCTIONS
IOG-2026	INSTALLATION INSTRUCTIONS
0161F00007	NAMEPLATE, GOODMAN
PWCFURNUQNT	WARRANTY, PRODUCT

# Cabinet and Control Panel Assembly



CABINET ASSEMBLY MAY DIFFER FROM WHAT IS SHOWN

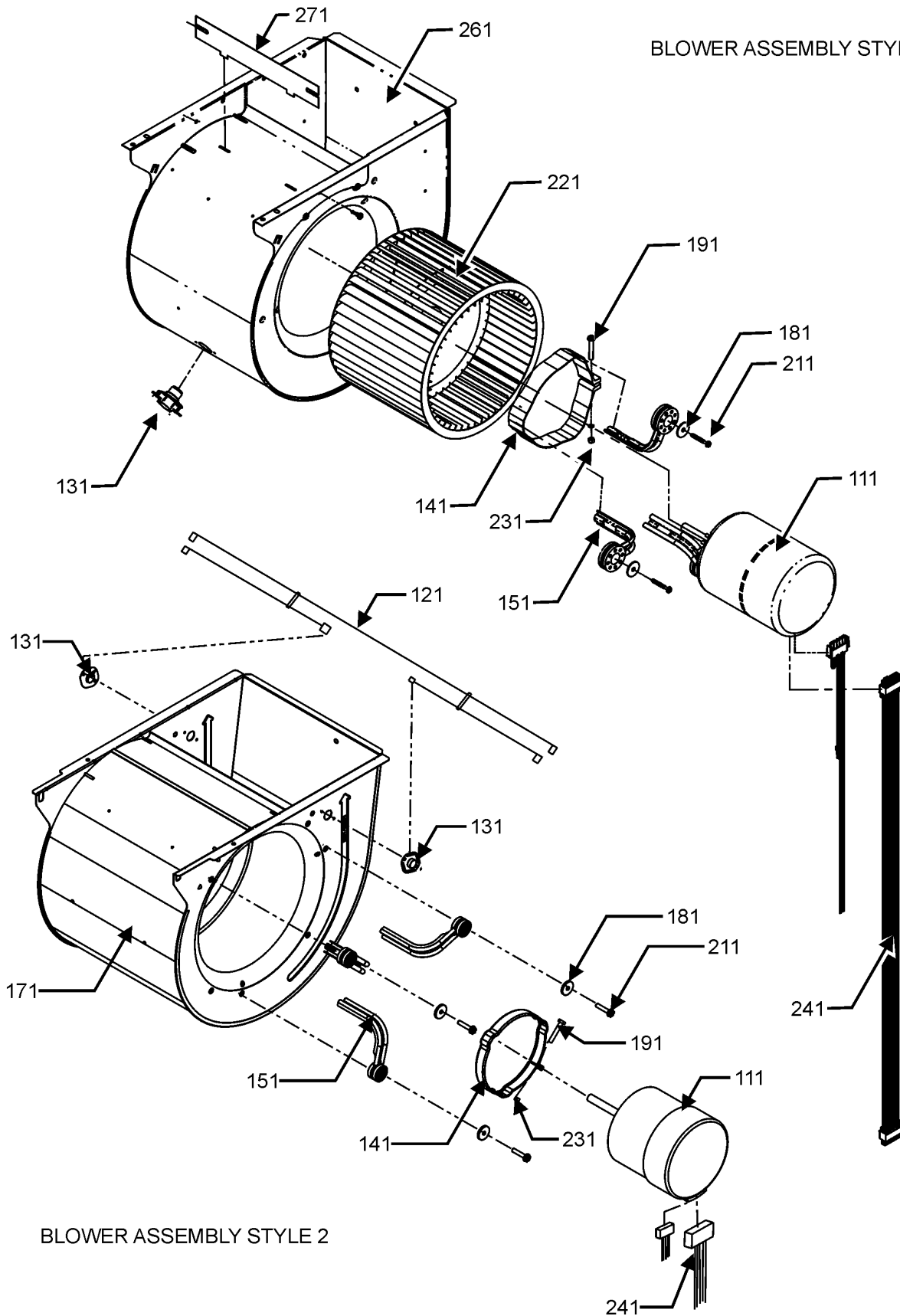
CONTROL PANEL ASSEMBLY

# Cabinet and Control Panel Assembly

Ref. Part No:	No:	Description:	Ref. Part No:	No:	Description:
<b>Image 1:</b>			<b>Expanded Model Nomenclature</b>		
11	0121F00122DG	DOOR, BLOWER, 14"-PAINTED (M1, M2, M3, M4)	M1	-	GM9C800403ANAA
11	0121F00123DG	DOOR, BLOWER, 17.5"-PAINTED (M5, M6, M7, M8, M9, M10)	M2	-	GM9C800403AXAA
11	0121F00124DG	DOOR, BLOWER, 21"-PAINTED (M11, M12, M13, M14, M16, M17, M18)	M3	-	GM9C800603ANAA
11	0121F00125DG	DOOR, BLOWER, 24.5"-PAINTED (M15, M19)	M4	-	GM9C800603AXAA
21	B1392139	VIEW PORT BUSHING-BLOWER DOOR	M5	-	GM9C800603BNAA
31	0121F00118DG	DOOR CTRL ACCESS, 14"-PAINTED (M1, M2, M3, M4)	M6	-	GM9C800603BXAA
31	0121F00120DG	DOOR CTRL ACCESS, 21"-PAINTED (M11, M12, M13, M14, M16, M17, M18)	M7	-	GM9C800803BNAA
31	0121F00119DG	DOOR CTRL ACCESS, 17.5"-PAINTED (M5, M6, M7, M8, M9, M10)	M8	-	GM9C800803BXAA
31	0121F00121DG	DOOR CTRL ACCESS, 24.5"-PAINTED (M15, M19)	M9	-	GM9C800804BNAA
41	0130F00791	AIR PRESSURE SWITCH (M9, M10, M16, M17, M14, M19)	M10	-	GM9C800804BXAA
41	0130F00792	AIR PRESSURE SWITCH (M3, M4, M7, M8, M13, M14, M19)	M11	-	GM9C800804CNAA
41	0130F00794	AIR PRESSURE SWITCH (M11, M12)	M12	-	GM9C800804CXAA
41	0130F00795	AIR PRESSURE SWITCH (M1, M2, M5, M6, M15)	M13	-	GM9C800805CNAA
51	B1392147	UNIVERSAL BUSHING WITH SLICE	M14	-	GM9C800805CXAA
71	4014502	J-BOX	M15	-	GM9C800805DXAA
81	4015502	COVER, J-BOX	M16	-	GM9C801004CNAA
111	10690402	INTERLOCK SWITCH	M17	-	GM9C801005CNAA
171	0121F00141DG	TOP, FURNACE 14"-PAINTED (M1, M2, M3, M4)	M18	-	GM9C801005CXAA
171	0121F00142DG	TOP, FURNACE 17.5"-PAINTED (M5, M6, M7, M8, M9, M10)	M19	-	GM9C801205DNAA
171	0121F00143DG	TOP, FURNACE 21"-PAINTED (M11, M12, M13, M14, M16, M17, M18)			
171	0121F00463DG	TOP, FURNACE 24.5" PAINTED (M15, M19)			
211	0130M00140	TRANSFORMER, (120V TO 24V, 40VA,			
251	PCBBF164	CIRCUIT BOARD, FURNACE			
271	0121F00464	MOUNTING PLATE-CONTROLS			
321	4023500	CHIMNEY TRANSITION TOP			
NS	HI-130	HOMEOWNERS INSTRUCTIONS			
NS	IOG-2026	INSTALLATION INSTRUCTIONS			
NS	0161F00007	NAMEPLATE, GOODMAN			
NS	PWCFURNUQNT	WARRANTY, PRODUCT			

# Blower Assembly

BLOWER ASSEMBLY STYLE 1



BLOWER ASSEMBLY STYLE 2

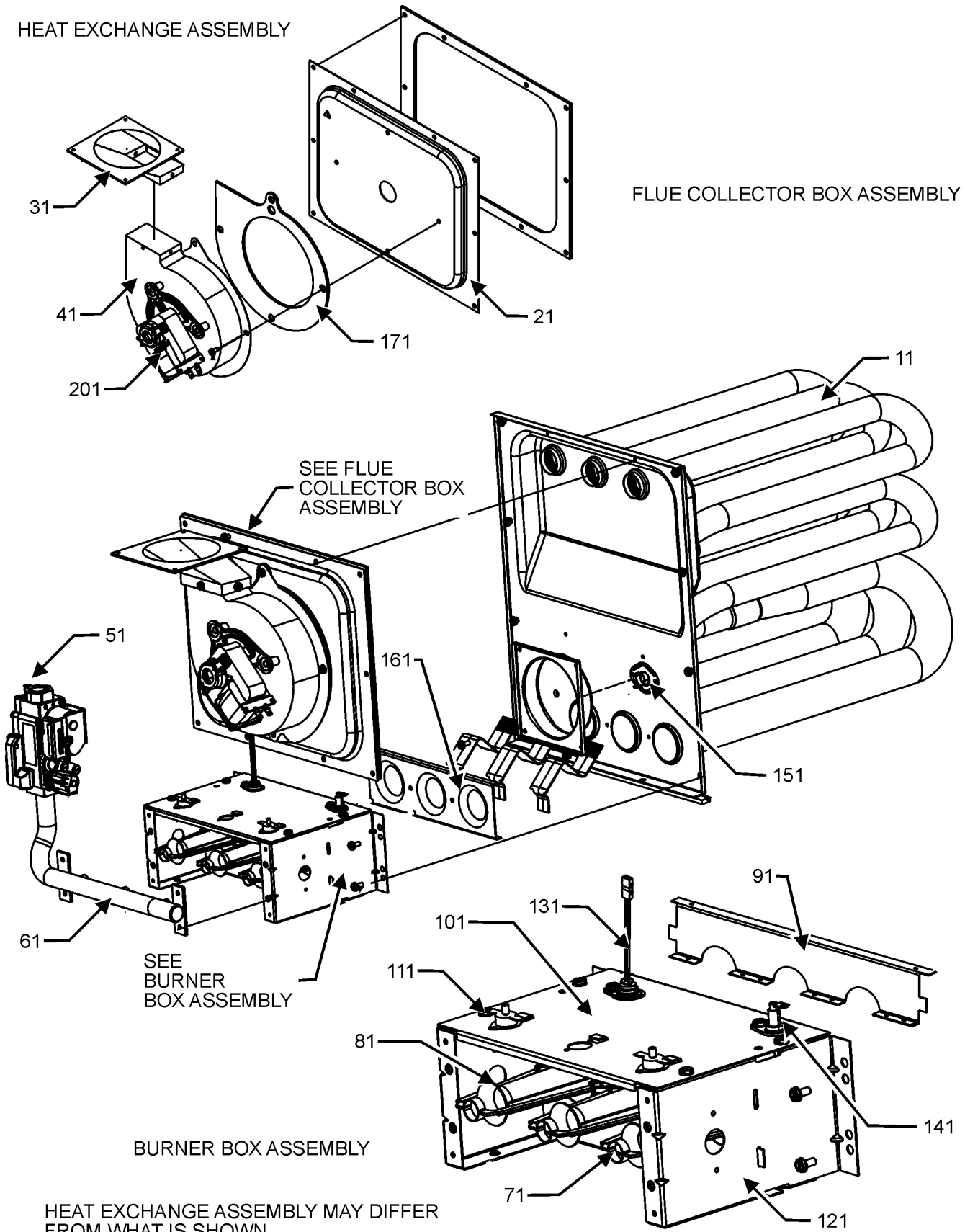
# Blower Assembly

Ref. Part No: No:	Description:	Ref. Part No: No:	Description:
<b>Image 1:</b>		<b>Expanded Model Nomenclature</b>	
111	0131F00194	MOTOR PROGRAMMED (M1, M2)	M1 - GM9C800403ANAA
111	0131F00195	MOTOR PROGRAMMED (M5, M6)	M2 - GM9C800403AXAA
111	0131F00196	MOTOR PROGRAMMED (M7, M8)	M3 - GM9C800603ANAA
111	0131F00197	MOTOR PROGRAMMED (M9, M10)	M4 - GM9C800603AXAA
111	0131F00198	MOTOR PROGRAMMED (M11, M12)	M5 - GM9C800603BNAA
111	0131F00199	MOTOR PROGRAMMED (M13, M14)	M6 - GM9C800603BXAA
111	0131F00200	MOTOR PROGRAMMED (M15)	M7 - GM9C800803BNAA
111	0131F00201	MOTOR PROGRAMMED (M17, M18)	M8 - GM9C800803BXAA
111	0131F00202	MOTOR PROGRAMMED (M19)	M9 - GM9C800804BNAA
111	0131F00203	MOTOR PROGRAMMED (M3, M4)	M10 - GM9C800804BXAA
111	0131F00204	MOTOR PROGRAMMED (M16)	M11 - GM9C800804CNAA
121	0259F00024	WIRE HARNESS-BLOWER (M15)	M12 - GM9C800804CXAA
131	0130F00038	LIMIT, PRIMARY 120 LT BLUE	M13 - GM9C800805CNAA
141	0121M00039	MOTOR MOUNT BAND (HEAVY DUTY)	M14 - GM9C800805CXAA
151	0163M00538	MOUNT ARM, MOTOR (QTY 3)	M15 - GM9C800805DXAA
171	0271F00303	BLOWER SHELL & WHEEL (M15)	M16 - GM9C801004CNAA
181	B1392918	WASHER, FLAT 1/4 ID X 1 OD (QTY 3)	M17 - GM9C801005CNAA
191	0163M00320	HEX HEAD ALL THREAD TAP BOLT	M18 - GM9C801005CXAA
211	M0250565	SCREW-TC 1.25" (QTY 3)	M19 - GM9C801205DNAA
221	0150M00042	WHEEL, BLOWER (10 X 10) (M11, M12, M13, M14, M16, M17, M18)	
221	0150M00043	WHEEL, BLOWER (10 X 8) (M5, M6, M7, M8, M9, M10)	
221	0150M00061	WHEEL,BLOWER (M1, M2, M3, M4)	
231	B1393800	LOCKNUT, NYLON INSERT 1/4 20	
241	0159F00119	CTM, MOTOR HARNESS	
261	2539307	BLWR SHL ASM 10X10 10X10 (M11, M12, M13, M14, M16, M17, M18, M19)	
261	2539305	BLWR SHL ASM 10X6 10X6 (M1, M2, M3, M4)	
261	2539306	BLWR SHL ASM 10X8 10X8 (M5, M6, M7, M8, M9, M10)	
271	764741	BLWR BLK-OFF,10X10 (M11, M12, M13, M14, M16, M17, M18, M19)	
271	764739	BLWR BLK-OFF,10X6 (M1, M2, M3, M4)	
271	764740	BLWR BLK-OFF,10X8 (M5, M6, M7, M8, M9, M10)	

# Heat Exchange Assembly

HEAT EXCHANGE ASSEMBLY

FLUE COLLECTOR BOX ASSEMBLY





# Heat Exchange Assembly

Ref. Part No:	Part No:	Description:	Ref. Part No:	Part No:	Description:																			
<b>Image 1:</b>			<b>Image 1:</b>																					
11	0270F00900	HEAT EXCHANGER ASSY (M1, M2)	161	4028004	ORIFICE PLATE, 6CELL (M19)																			
11	0270F00901	HEAT EXCHANGER ASSY (M3, M4)	171	0154F00003	GASKET-14 INCH (M1, M2, M3, M4)																			
11	0270F00902	HEAT EXCHANGER ASSY (M7, M8, M9, M10)	171	0154F00004	GASKET-17.5 INCH (M5, M6, M7, M8, M9, M10)																			
11	0270F00903	HEAT EXCHANGER ASSY (M16, M17, M18)	171	0154F00005	GASKET-21 INCH (M11, M12, M13, M14, M15, M16, M17, M18)																			
11	0270F00904	HEAT EXCHANGER ASSY (M19)																						
11	0270F00929	HEAT EXCHANGER ASSY (M5, M6)	171	0154F00006	GASKET-24.5 INCH (M19)																			
11	0270F00930	HEAT EXCHANGER ASSY (M11, M12, M13, M14)	201	DY6.186.070	VENT MOTOR CAPACITOR																			
11	0270F02961	HEAT EXCHANGER ASSY (M15)	NS	0259F00062	INDUCER HARNESS ASSY																			
21	0121F00328	17.5" COLLECTOR BOX 1.250" DIA (M5, M6)	NS	0159F00138	WIRE HARNESS																			
21	0121F00334	21" COLLECTOR BOX 1.625" DIA (M15)	<b>Expanded Model Nomenclature</b>																					
21	0121F00333	21" COLLECTOR BOX 1.75" DIA (M16, M17, M18)	<table border="1"> <tr><td>M1 - GM9C800403ANAA</td></tr> <tr><td>M2 - GM9C800403AXAA</td></tr> <tr><td>M3 - GM9C800603ANAA</td></tr> <tr><td>M4 - GM9C800603AXAA</td></tr> <tr><td>M5 - GM9C800603BNAA</td></tr> <tr><td>M6 - GM9C800603BXAA</td></tr> <tr><td>M7 - GM9C800803BNAA</td></tr> <tr><td>M8 - GM9C800803BXAA</td></tr> <tr><td>M9 - GM9C800804BNAA</td></tr> <tr><td>M10 - GM9C800804BXAA</td></tr> <tr><td>M11 - GM9C800804CNAA</td></tr> <tr><td>M12 - GM9C800804CXAA</td></tr> <tr><td>M13 - GM9C800805CNAA</td></tr> <tr><td>M14 - GM9C800805CXAA</td></tr> <tr><td>M15 - GM9C800805DXAA</td></tr> <tr><td>M16 - GM9C801004CNAA</td></tr> <tr><td>M17 - GM9C801005CNAA</td></tr> <tr><td>M18 - GM9C801005CXAA</td></tr> <tr><td>M19 - GM9C801205DNAA</td></tr> </table>			M1 - GM9C800403ANAA	M2 - GM9C800403AXAA	M3 - GM9C800603ANAA	M4 - GM9C800603AXAA	M5 - GM9C800603BNAA	M6 - GM9C800603BXAA	M7 - GM9C800803BNAA	M8 - GM9C800803BXAA	M9 - GM9C800804BNAA	M10 - GM9C800804BXAA	M11 - GM9C800804CNAA	M12 - GM9C800804CXAA	M13 - GM9C800805CNAA	M14 - GM9C800805CXAA	M15 - GM9C800805DXAA	M16 - GM9C801004CNAA	M17 - GM9C801005CNAA	M18 - GM9C801005CXAA	M19 - GM9C801205DNAA
M1 - GM9C800403ANAA																								
M2 - GM9C800403AXAA																								
M3 - GM9C800603ANAA																								
M4 - GM9C800603AXAA																								
M5 - GM9C800603BNAA																								
M6 - GM9C800603BXAA																								
M7 - GM9C800803BNAA																								
M8 - GM9C800803BXAA																								
M9 - GM9C800804BNAA																								
M10 - GM9C800804BXAA																								
M11 - GM9C800804CNAA																								
M12 - GM9C800804CXAA																								
M13 - GM9C800805CNAA																								
M14 - GM9C800805CXAA																								
M15 - GM9C800805DXAA																								
M16 - GM9C801004CNAA																								
M17 - GM9C801005CNAA																								
M18 - GM9C801005CXAA																								
M19 - GM9C801205DNAA																								
21	0121F00336	21" FLUE COLLECTOR BOX 1.50" (M13, M14)																						
21	0121F00126	COLLECTOR BOX 14" 1.375 DIA (M3, M4)																						
21	0121F00655	COLLECTOR BOX 17.5" 1.437 DIA (M7, M8, M9, M10)																						
21	0121F00659	COLLECTOR BOX 21" 1.40 DIA (M11, M12)																						
21	0121F00783	COLLECTOR BOX, 14" (M1, M2)																						
21	0121F00782	COLLECTOR BOX, 24.5" (M19)																						
31	0128F00006	CHIMNEY TRANSITION BOTTOM																						
41	0131M00781P	MOTOR, VENT 2-STAGE																						
51	0151M00027	GAS VALVE																						
61	0120F00006	MANIFOLD (M1, M2)																						
61	0120F00007	MANIFOLD (M3, M4, M5, M6)																						
61	0120F00008	MANIFOLD (M7, M8, M9, M10, M11, M12, M13, M14, M15)																						
61	0120F00009	MANIFOLD (M16, M17, M18)																						
61	0120F00010	MANIFOLD (M19)																						
71	10716005	ORIFICE (QTY 2)																						
81	B4022700	INSHOT BURNER ASSY 3" (QTY 2)																						
91	0121F00167	BURNER RACK, 2 CELL (M1, M2)																						
91	0121F00168	BURNER RACK, 3 CELL (M3, M4, M5, M6)																						
91	0121F00169	BURNER RACK, 4 CELL (M7, M8, M9, M10, M11, M12, M13, M14, M15)																						
91	0121F00170	BURNER RACK, 5 CELL (M16, M17, M18)																						
91	0121F00171	BURNER RACK, 6 CELL (M19)																						
101	0121F00162	TOP, BURNER BOX 2 CELL (M1, M2)																						
101	0121F00759	TOP, BURNER BOX 3 CELL (M3, M4, M5, M6)																						
101	0121F00760	TOP, BURNER BOX 4 CELL (M7, M8, M9, M10, M11, M12, M13, M14, M15)																						
101	0121F00761	TOP, BURNER BOX 5 CELL (M16, M17, M18)																						
101	0121F00762	TOP, BURNER BOX 6 CELL (M19)																						
111	10123529	MANUAL RESET R.O.S. LIMIT (QTY 2)																						
121	0121F00146	BURNER BOX SIDE (QTY 2)																						
131	0130F00008	SINI IGNITOR																						
141	0130F00010	FLAME SENSOR																						
151	0130F00105	LIMIT SWITCH (M11, M12, M13, M14)																						
151	20162903	LIMIT, PRIMARY (M3, M4, M5, M6)																						
151	20162904	LIMIT, PRIMARY (M7, M8, M9, M10)																						
151	20162905	LIMIT, PRIMARY (M17, M18)																						
151	20162906	LIMIT, PRIMARY (M1, M2)																						
151	0130M00063	LIMIT, PRIMARY, 140, GOLD (M15, M16, M19)																						
161	4028000	ORIFICE PLATE, 2CELL (M1, M2)																						
161	4028001	ORIFICE PLATE, 3CELL (M3, M4, M5, M6)																						
161	4028002	ORIFICE PLATE, 4 CELL (M7, M8, M9, M10, M11, M12, M13, M14, M15)																						
161	4028003	ORIFICE PLATE, 5CELL (M16, M17, M18)																						