

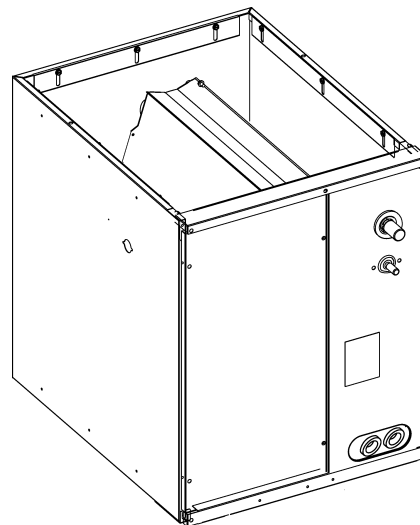
# REPAIR PARTS

---

## CAPT Cased Coil

CAPT4961C4AA

CAPT4961D4AA



This manual is to be used by qualified technicians only.

© 2021 Goodman Manufacturing Company, L.P. ♦ 5151 San Felipe St, Suite 500 ♦ Houston, TX 77056

# Important Information

---

## Index

Functional Parts List .....	3
Illustration and Parts .....	4 - 5

*Views shown are for parts illustrations only, not servicing procedures.*

### Text Codes:

AR - As Required

NA - Not Available

NS - Not Shown

00000000 - See Note

QTY - Quantity Example (QTY 3) (If Quantity not shown, Quantity = 1)

M - Model Example (M1) (If M Code not shown, then part is used on all Models)

### Expanded Model Nomenclature:

Example M1 - Model#1 M2 - Model#2 M3 - Model#3
---

Goodman Manufacturing Company, L.P. is not responsible for personal injury or property damage resulting from improper service. Review all service information before beginning repairs.

Warranty service must be performed by an authorized technician, using authorized factory parts. If service is required after the warranty expires, Goodman Manufacturing Company, L.P. also recommends contacting an authorized technician and using authorized factory parts.

Goodman Manufacturing Company, L.P. reserves the right to discontinue, or change at any time, specifications or designs without notice or without incurring obligations.

For assistance within the U.S.A. contact:  
Homeowner Support  
Goodman Manufacturing Company, L.P.  
19001 Kermier Road  
Waller, Texas 77484  
877-254-4729-Telephone  
713-863-2382-Facsimile

For assistance outside the U.S.A. contact:  
International Division  
Goodman Manufacturing Company, L.P.  
19001 Kermier Road  
Waller, Texas 77484  
713-861-2500-Telephone  
713-863-2382-Facsimile

# Functional Parts

**Part**

**No:**

**Description:**

---

0151R00174

ADJUSTABLE VALVE, TXV R-410A

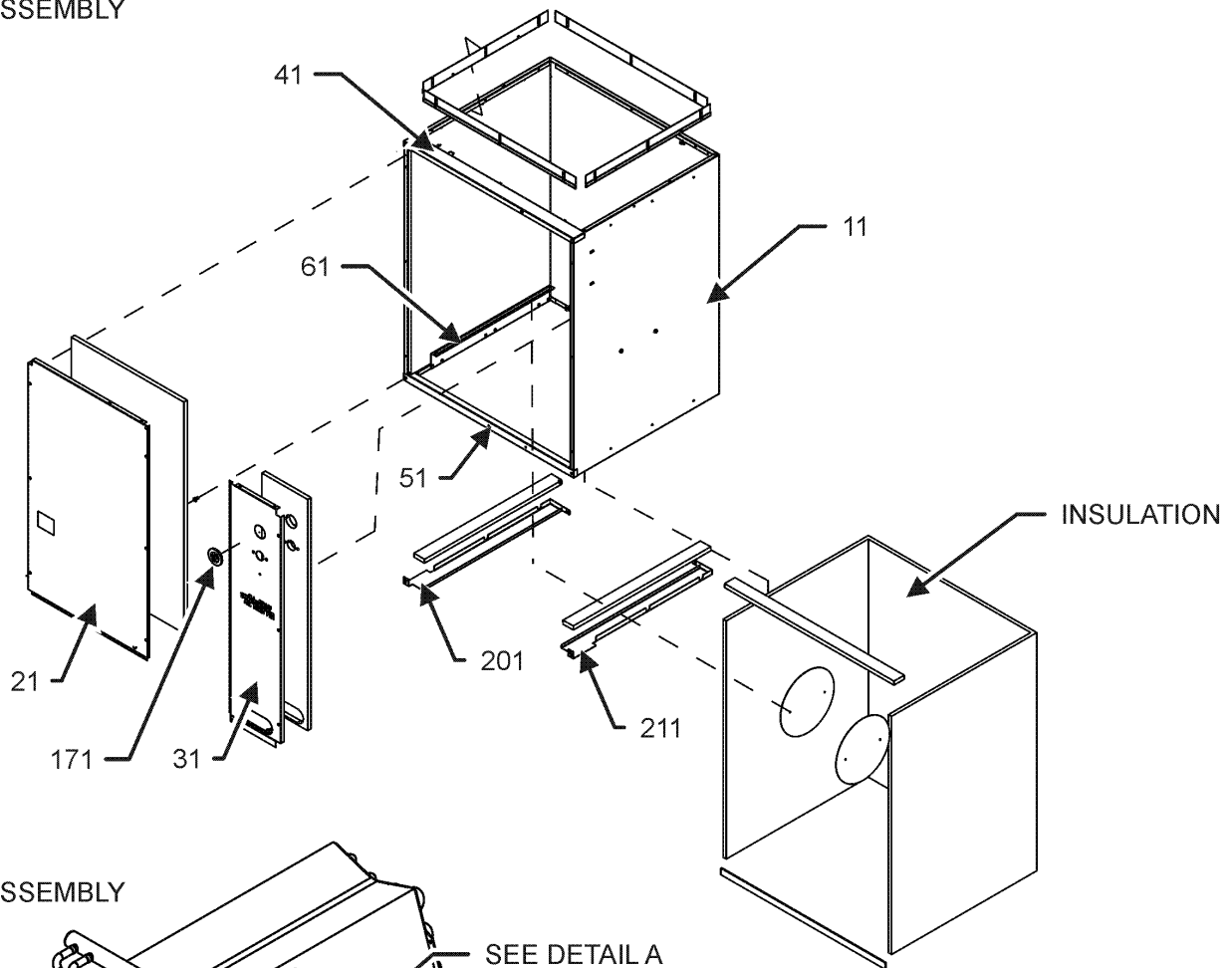
**Expanded Model Nomenclature**

M1 - CAPT4961C4AA

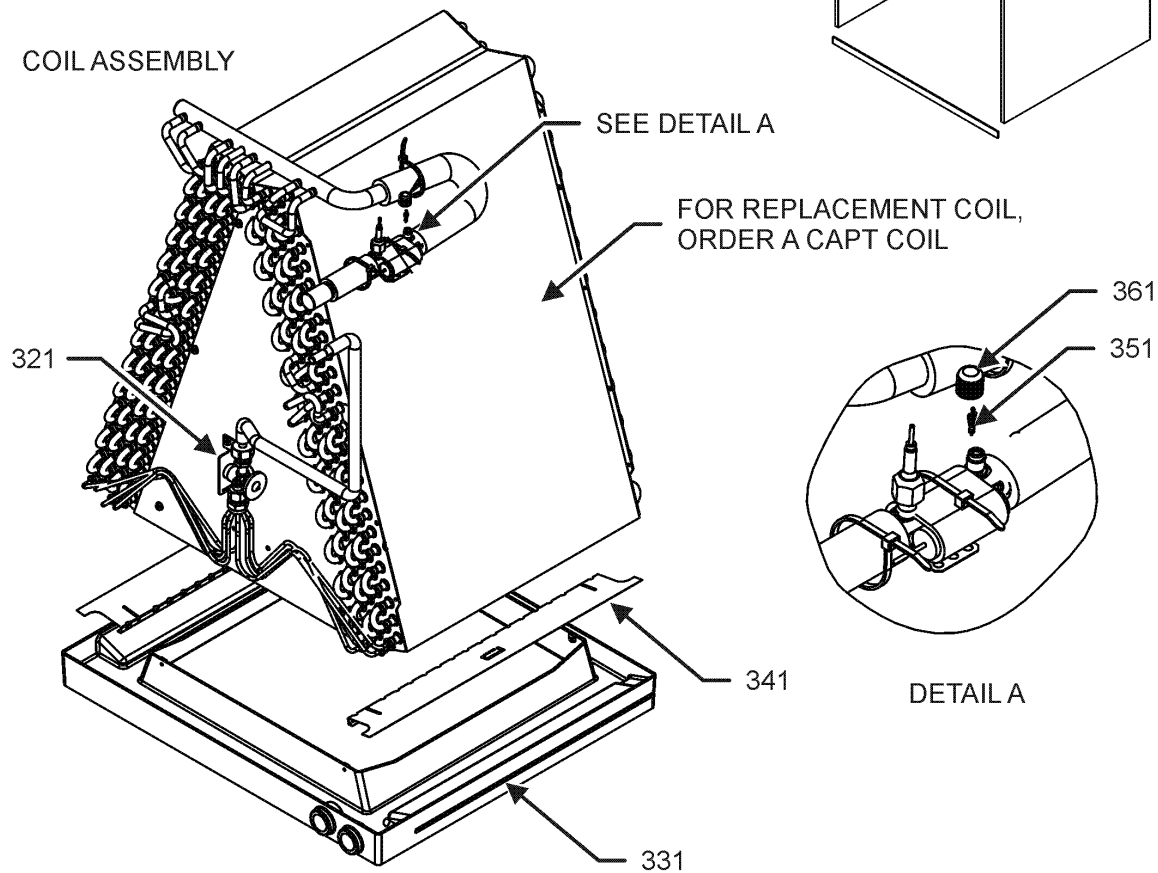
M2 - CAPT4961D4AA

# Case Assembly

## CASE ASSEMBLY



## COIL ASSEMBLY



# Case Assembly

Ref. Part No: No:	Description:	Ref. Part No: No:	Description:
-------------------	--------------	-------------------	--------------

---

**Image 1:**

11	0121D00681	WRAPPER, CASED EVAP COIL (M1)
11	0121D00682	WRAPPER, CASED EVAP COIL (M2)
21	5001506PDG	DOOR LFT. 21" X 30" PAINTED (M1)
21	5001508PDG	DOOR LFT. 24.5" X 30" PAINTED (M2)
31	5001507PDG	DOOR RT.30" PAINTED
41	5001207PDG	RAIL, TOP 21" PAINTED (M1)
41	5001208PDG	RAIL, TOP 24.5" PAINTED (M2)
51	0121A01126PDG	RAIL, BOTTOM 21",PAINTED (M1)
51	0121A01127PDG	RAIL, BOTTOM 24.5",PAINTED (M2)
61	5001206	RAIL DRAIN PAN (QTY 2)
171	B1392630	GROMMET
201	5001010	PLATE, LEFT BLOCK OFF
211	5001011	PLATE, RIGHT BLOCK OFF
321	0151R00174	ADJUSTABLE VALVE, TXV R-410A
331	BT5076502DF	DRAIN PAN LARGE (M1)
331	0161D00089	DRAIN PAN XLARGE (M2)
341	0121D00020	DOWNFLOW BRACKET (QTY 2)
351	0151M00104	VALVE CORE
361	0163M00175	CAP W/O-RING
NS	BT1369063	90 DEGREE STUB
NS	BT15930113	GASKET DRAIN PAN

**Expanded Model Nomenclature**

M1 - CAPT4961C4AA

M2 - CAPT4961D4AA

IF A REPLACEMENT COIL IS NEEDED, PLEASE ORDER A CAPT COIL.