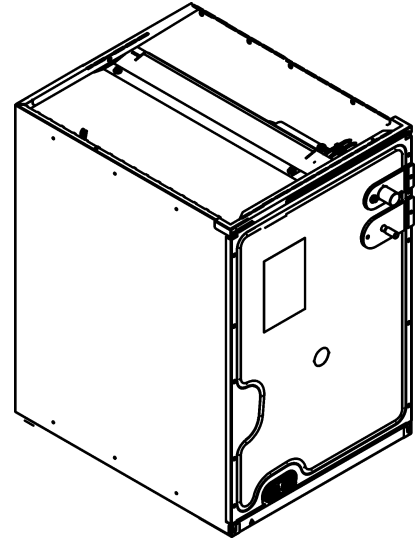


# REPAIR PARTS

---

## CAPTA CASED COIL

CAPTA1818A4AA  
CAPTA1818B4AA  
CAPTA2422A4AA  
CAPTA2422B4AA  
CAPTA2422C4AA  
CAPTA3022A4AA  
CAPTA3022B4AA  
CAPTA3022C4AA  
CAPTA3026B4AA  
CAPTA3026C4AA  
CAPTA3626B4AA  
CAPTA3626C4AA  
CAPTA4230C4AA  
CAPTA4230D4AA



This manual is to be used by qualified technicians only.

© 2021 Goodman Manufacturing Company, L.P. ♦ 5151 San Felipe St, Suite 500 ♦ Houston, TX 77056

# Important Information

---

## Index

Functional Parts List .....	3
Illustration and Parts .....	4 - 5

*Views shown are for parts illustrations only, not servicing procedures.*

### Text Codes:

AR - As Required

NA - Not Available

NS - Not Shown

00000000 - See Note

QTY - Quantity Example (QTY 3) (If Quantity not shown, Quantity = 1)

M - Model Example (M1) (If M Code not shown, then part is used on all Models)

### Expanded Model Nomenclature:

Example M1 - Model#1 M2 - Model#2 M3 - Model#3
---

Goodman Manufacturing Company, L.P. is not responsible for personal injury or property damage resulting from improper service. Review all service information before beginning repairs.

Warranty service must be performed by an authorized technician, using authorized factory parts. If service is required after the warranty expires, Goodman Manufacturing Company, L.P. also recommends contacting an authorized technician and using authorized factory parts.

Goodman Manufacturing Company, L.P. reserves the right to discontinue, or change at any time, specifications or designs without notice or without incurring obligations.

For assistance within the U.S.A. contact:  
Homeowner Support  
Goodman Manufacturing Company, L.P.  
19001 Kermier Road  
Waller, Texas 77484  
877-254-4729-Telephone  
713-863-2382-Facsimile

For assistance outside the U.S.A. contact:  
International Division  
Goodman Manufacturing Company, L.P.  
19001 Kermier Road  
Waller, Texas 77484  
713-861-2500-Telephone  
713-863-2382-Facsimile

# Functional Parts

## Part

## No: Description:

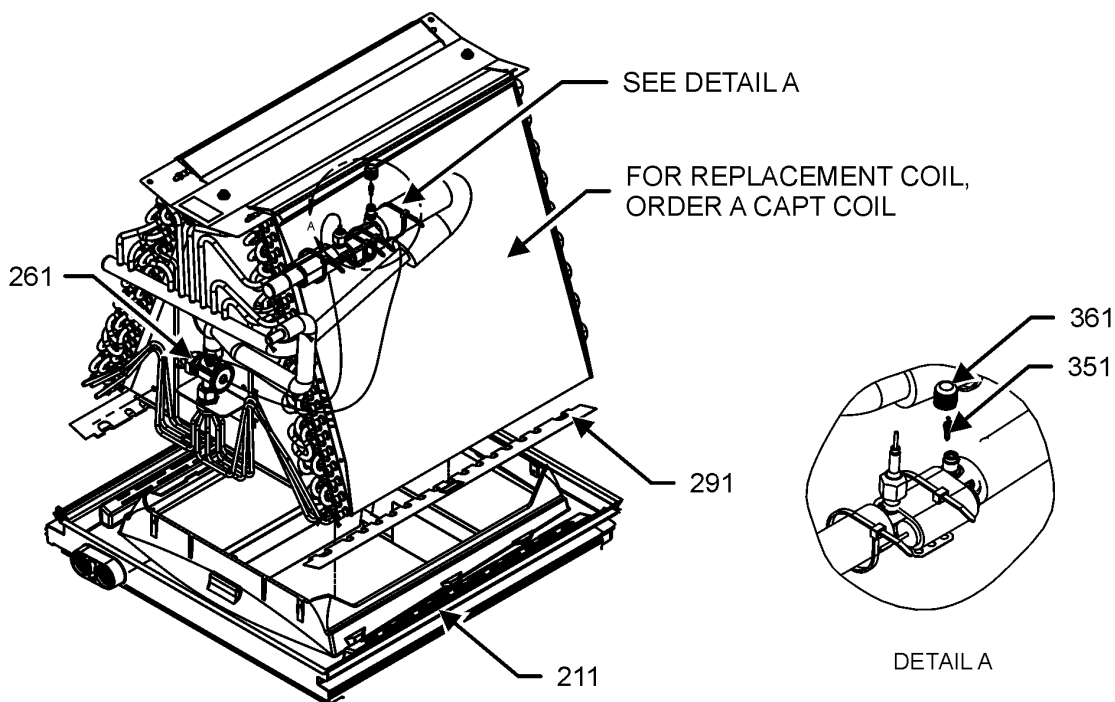
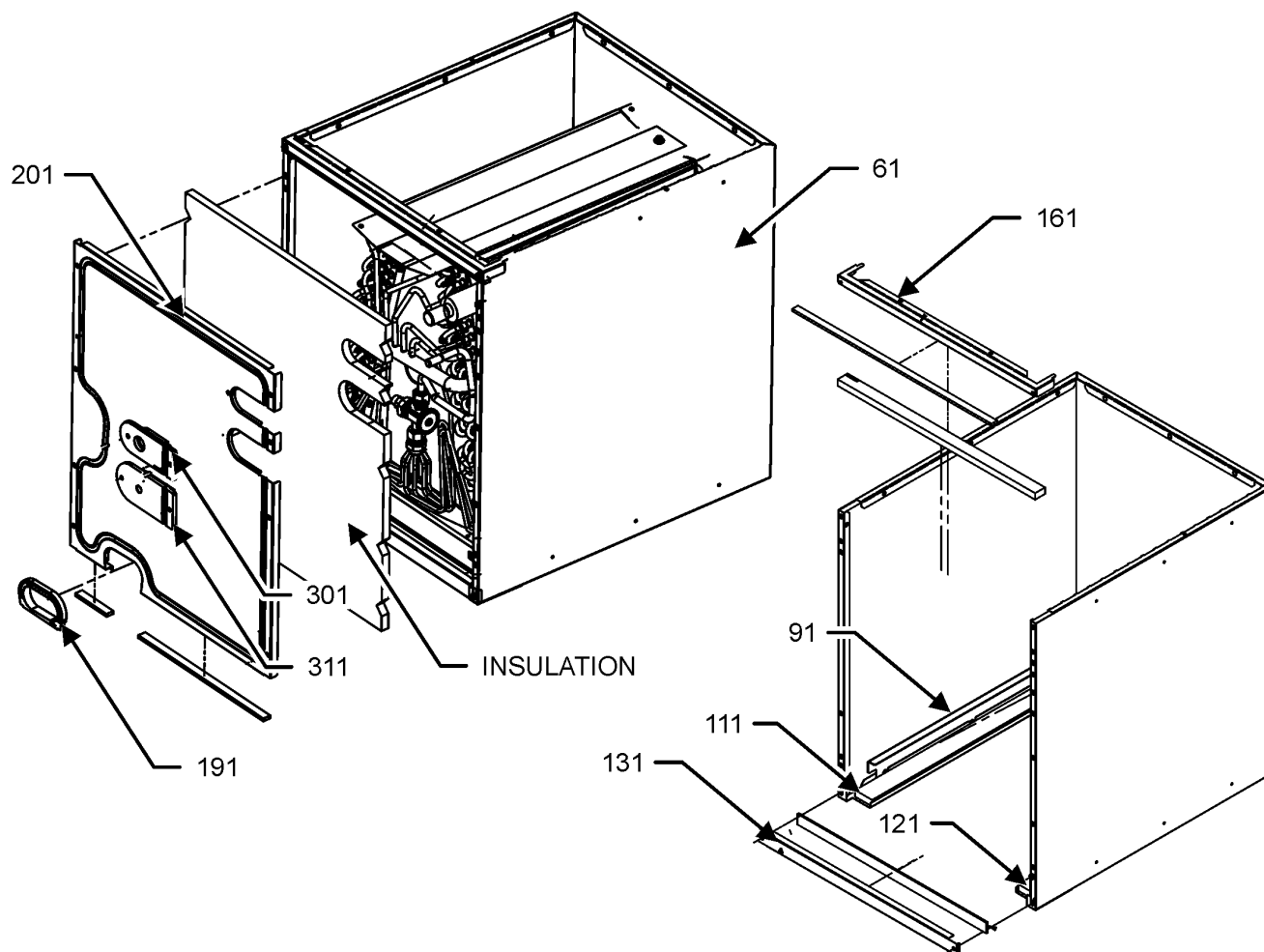
---

0151R00209 TXV-FX-2T-ADJ VALVE (M1, M2, M3, M4, M5)  
0151R00210 TXV-FX-3T-ADJ VALVE (M6, M7, M8, M9, M10, M11, M12)  
0151R00212 TXV-FX-5T-ADJ VALVE (M13, M14)

### Expanded Model Nomenclature

M1 - CAPTA1818A4AA
M2 - CAPTA1818B4AA
M3 - CAPTA2422A4AA
M4 - CAPTA2422B4AA
M5 - CAPTA2422C4AA
M6 - CAPTA3022A4AA
M7 - CAPTA3022B4AA
M8 - CAPTA3022C4AA
M9 - CAPTA3026B4AA
M10 - CAPTA3026C4AA
M11 - CAPTA3626B4AA
M12 - CAPTA3626C4AA
M13 - CAPTA4230C4AA
M14 - CAPTA4230D4AA

# CASED E COIL ASSEMBLY



# CASED E COIL ASSEMBLY

Ref. Part No:	Ref. Part No:	Description:	Description:
<b>Image 1:</b>		<b>Image 1:</b>	
61	0121D00464	WRAPPER, CASED E COIL (M1)	351 0151M00104 VALVE CORE
61	0121D00465	WRAPPER, CASED E COIL (M2)	361 0163M00175 CAP W/O-RING
61	0121D00466	WRAPPER, CASED E COIL (M4, M7)	
61	0121D00467	WRAPPER, CASED E COIL (M5, M8)	
61	0121D00722	WRAPPER, CASED E COIL (M3, M6)	
61	0121D00468	WRAPPER, CASED EVAP COIL (M10, M12)	
61	0121D00535	WRAPPER, CASED EVAP COIL (M9, M11)	
61	0121D00681	WRAPPER, CASED EVAP COIL (M13)	
61	0121D00682	WRAPPER, CASED EVAP COIL (M14)	
91	0121D00264	RAIL DRAIN PAN, CASED COIL (QTY 2)	
111	5001010	PLATE, LEFT BLOCK OFF (M2, M4, M5, M7, M8, M9, M10, M11, M12, M13, M14)	
121	5001011	PLATE, RIGHT BLOCK OFF (M2, M4, M5, M7, M8, M9, M10, M11, M12, M13, M14)	
131	0121D00502PDG	RAIL BOTTOM,CASED COIL,PAINTED (M1, M3, M6)	
131	0121D00503PDG	RAIL BOTTOM,CASED COIL,PAINTED (M2, M4, M7, M9, M11)	
131	0121D00504PDG	RAIL BOTTOM,CASED COIL,PAINTED (M5, M8, M10, M12, M13)	
131	0121D00505PDG	RAIL BOTTOM,CASED COIL,PAINTED (M14)	
161	0121D00906PDG	RAIL TOP PNT, CASED E COIL (M1, M3, M6)	
161	0121D00907PDG	RAIL TOP PNT, CASED E COIL (M2, M4, M7, M9, M11)	
161	0121D00908PDG	RAIL TOP PNT, CASED E COIL (M5, M8, M10, M12, M13)	
161	0121D00909PDG	RAIL TOP PNT, CASED E COIL (M14)	
191	0154A00047	GASKET, DRAIN PAN (M2, M4, M5, M7, M8, M9, M10, M11, M12, M13, M14)	
191	0154D00039	GASKET, DRAIN PAN (M1, M3, M6)	
201	0121D00540PDG	PNL ACCESS PNT, CASED E COIL (M2)	
201	0121D00684PDG	PNL ACCESS PNT, CASED E COIL (M13)	
201	0121D00685PDG	PNL ACCESS PNT, CASED E COIL (M14)	
201	0121D00933PDG	PNL ACCESS PNT, CASED E COIL (M1)	
201	0121D00936PDG	PNL ACCESS PNT, CASED E COIL (M3, M6)	
201	0121D00543PDG	PNL ACCESS, PAINTED (M5, M8)	
201	0121D00545PDG	PNL ACCESS, PAINTED (M4, M7)	
201	0121D00548PDG	PNL ACCESS, PAINTED (M9, M11)	
201	0121D00597PDG	PNL ACCESS, PAINTED (M10, M12)	
211	0161D00049	DRAIN PAN MAIN, E COIL (M2, M4, M7, M9, M11)	
211	0161D00050	DRAIN PAN MAIN, E COIL (M5, M8, M10, M12,	
211	0161D00051	DRAIN PAN MAIN, E COIL (M14)	
211	0161D00116	DRAIN PAN MAIN, E COIL (M1, M3, M6)	
261	0151R00209	TXV-FX-2T-ADJ VALVE (M1, M2, M3, M4, M5)	
261	0151R00210	TXV-FX-3T-ADJ VALVE (M6, M7, M8, M9, M10, M11, M12)	
261	0151R00212	TXV-FX-5T-ADJ VALVE (M13, M14)	
291	0121D00497	DOWNFLOW BLOCKOFF (QTY 2)	
301	0154D00015	GROMMET LIQUID TUBE (M10, M12, M13, M14)	
301	0154D00006	GROMMET, LIQUID TUBE (M1, M2, M3, M4, M5, M6, M7, M8, M9, M11)	
311	0154D00014	GROMMET SUCTION (M9, M10, M11, M12, M13, M14)	
311	0154D00005	GROMMET, SUCTION (M1, M2, M3, M4, M5, M6, M7, M8)	

## Expanded Model Nomenclature

M1 - CAPTA1818A4AA  
M2 - CAPTA1818B4AA  
M3 - CAPTA2422A4AA  
M4 - CAPTA2422B4AA  
M5 - CAPTA2422C4AA  
M6 - CAPTA3022A4AA  
M7 - CAPTA3022B4AA  
M8 - CAPTA3022C4AA  
M9 - CAPTA3026B4AA  
M10 - CAPTA3026C4AA  
M11 - CAPTA3626B4AA  
M12 - CAPTA3626C4AA  
M13 - CAPTA4230C4AA  
M14 - CAPTA4230D4AA