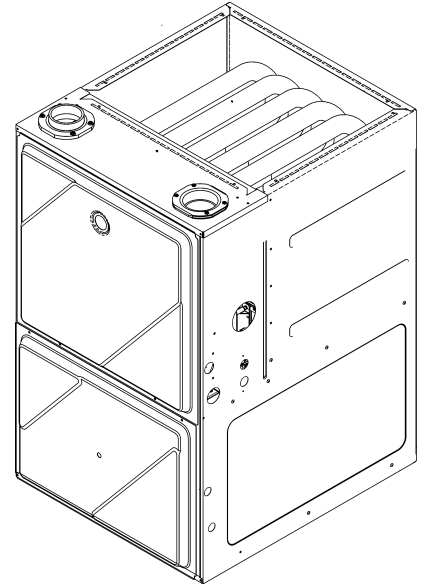


## AM9C 96% Multi-Speed ECM Up Flow Furnace

AM9C960303ANAA  
AM9C960403ANAA  
AM9C960603ANAA  
AM9C960603BNAA  
AM9C960803BNAA  
AM9C960804CNAA  
AM9C961004CNAA  
AM9C961005CNAA  
AM9C961205DNAA



Amana® is a registered trademark of Maytag Corporation or its related companies and is used under license. All rights reserved.

This manual is to be used by qualified technicians only.

© 2020 Goodman Company, L.P. ♦ 5151 San Felipe St, Suite 500 ♦ Houston, TX 77056

# Important Information

---

## Index

Functional Parts List .....	3
Illustration and Parts .....	4 - 11

*Views shown are for parts illustrations only, not servicing procedures.*

### Text Codes:

AR - As Required

NA - Not Available

NS - Not Shown

00000000 - See Note

QTY - Quantity Example (QTY 3) (If Quantity not shown, Quantity = 1)

M - Model Example (M1) (If M Code not shown, then part is used on all Models)

### Expanded Model Nomenclature:

Example
M1 - Model#1
M2 - Model#2
M3 - Model#3

Goodman Company, L.P. is not responsible for personal injury or property damage resulting from improper service. Review all service information before beginning repairs.

Warranty service must be performed by an authorized technician, using authorized factory parts. If service is required after the warranty expires, Goodman Company, L.P. also recommends contacting an authorized technician and using authorized factory parts.

Goodman Company, L.P. reserves the right to discontinue, or change at any time, specifications or designs without notice or without incurring obligations.

For assistance within the U.S.A. contact:

Homeowner Support  
Goodman Company, L.P.  
19001 Kermier Road  
Waller, Texas 77484  
877-254-4729-Telephone  
713-863-2382-Facsimile

For assistance outside the U.S.A. contact:

International Division  
Goodman Company, L.P.  
19001 Kermier Road  
Waller, Texas 77484  
713-861-2500-Telephone  
713-863-2382-Facsimile

# Functional Parts

**Part No:**            **Description:**

---

20162904            \*PRIMARY LIMIT-TEMPERATURE CONTROL (M5, M6)  
 0257F00443        ASSY, HEAT EXCHANGER (M1)  
 0257F00450        ASSY, HEAT EXCHANGER (M2)  
 0130F00038        AUX LIMIT - LT BLUE 120° (QTY 2)  
 0163F00017        BECKETT BURNER (QTY 2)  
 0271F00163        BLOWER SHELL & WHEEL ASSY (M9)  
 0271F00159        BLOWER SHELL & WHEEL ASSY (M4, M5)  
 0271F00161        BLOWER SHELL & WHEEL ASSY (M6, M7, M8)  
 PCBBF164            CIRCUIT BOARD FURNACE  
 0130F00010        FLAME SENSOR  
 0151M00027        GAS VALVE  
 0257F00397        HEAT EXCHANGER ASSY (M8)  
 0257F00394        HEAT EXCHANGER ASSY (M7)  
 0257F00415        HEAT EXCHANGER ASSY (M3)  
 0257F00375        HEAT EXCHANGER ASSY (M4)  
 0257F00354        HEAT EXCHANGER ASSY. (M5)  
 0257F00292        HEAT EXCHANGER ASSY. (M9)  
 0257F00290        HEAT EXCHANGER ASSY. (M6)  
 0171M00007        ID BLOWER, 2 Stg (M1, M2, M3)  
 0130F00008        IGNITOR-SINI 17 SEC  
 0130M00243        INTERLOCK SWITCH  
 10123534            MANUAL RESET LIMIT - ROS (M7, M8)  
 10123527            MANUAL RESET LIMIT - ROS (M9)  
 10123539            MANUAL RESET LIMIT - ROS (M4, M6)  
 10123538            MANUAL RESET LIMIT - ROS (M1, M2)  
 0130F00123        MANUAL RESET LIMIT - ROS (M5)  
 10123517            MANUAL RESET LIMIT - ROS (M3)  
 0131F00238        MOTOR PROGRAMMED (M7)  
 0131F00239        MOTOR PROGRAMMED (M8)  
 0131F00235        MOTOR PROGRAMMED (M4)  
 0131F00240        MOTOR PROGRAMMED (M9)  
 0131F00232        MOTOR PROGRAMMED (M1)  
 0131F00233        MOTOR PROGRAMMED (M2)  
 0131F00234        MOTOR PROGRAMMED (M3)  
 0131F00237        MOTOR PROGRAMMED (M6)  
 0131F00236        MOTOR PROGRAMMED (M5)  
 0171M00002        MOTOR-ID, BLOWER (M4, M5, M6, M7, M8, M9)  
 0130F00429        PRESSURE SWITCH (M4, M5, M6, M7, M8, M9)  
 0130F00646        PRESSURE SWITCH (M3)  
 0130F00647        PRESSURE SWITCH (M1, M2)  
 0130F00645        PRESSURE SWITCH (M3)  
 0130F00643        PRESSURE SWITCH (M1)  
 0130F00644        PRESSURE SWITCH (M2)  
 20162903            PRIMARY LIMIT - BLUE (M1, M2, M3, M8)  
 0130F00036        PRIMARY LIMIT - PINK 180° (M9)  
 20162906            PRIMARY LIMIT - WHITE (M4, M7)  
 0130F00434        SWITCH, PRESSURE (M7)  
 0130F00435        SWITCH, PRESSURE (M4)  
 0130F00436        SWITCH, PRESSURE (M5)  
 0130F00445        SWITCH, PRESSURE (M9)  
 0130F00443        SWITCH, PRESSURE (M6, M8)  
 0130M00140        TRANSFORMER 120V TO 24V, 40VA

**SPECIAL PARTS**

0161M00032        NAMEPLATE, AMANA

**Expanded Model Nomenclature**

M1 - AM9C960303ANAA  
 M2 - AM9C960403ANAA  
 M3 - AM9C960603ANAA  
 M4 - AM9C960603BNAA  
 M5 - AM9C960803BNAA  
 M6 - AM9C960804CNAA  
 M7 - AM9C961004CNAA  
 M8 - AM9C961005CNAA  
 M9 - AM9C961205DNAA



# Cabinet Assembly

Ref. Part No:	Part No:	Description:	Ref. Part No:	Part No:	Description:
---------------	----------	--------------	---------------	----------	--------------

**Image 1:**

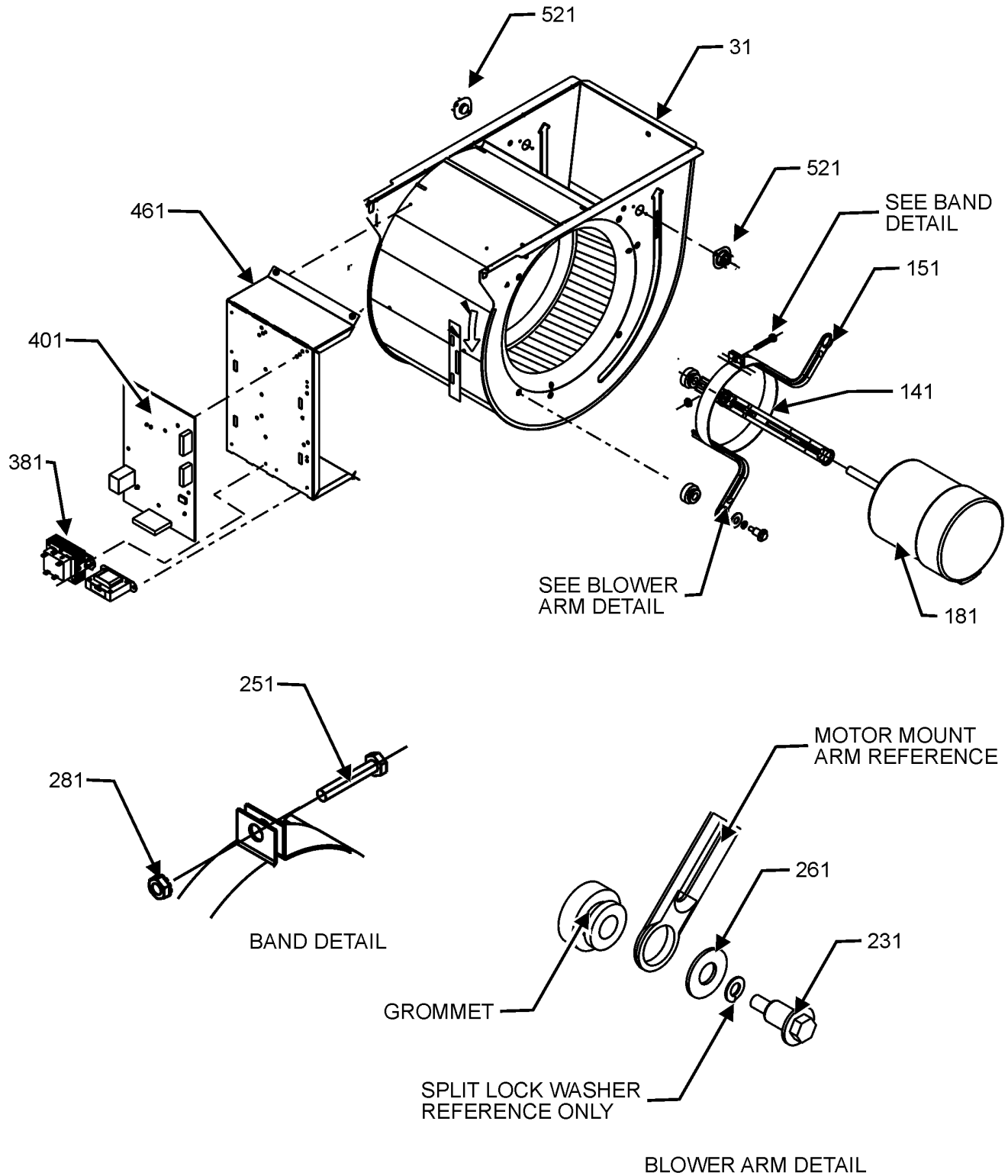
11	0270F05402	DRAIN KIT ASSY
21	0270F05402	DRAIN KIT ASSY
111	0154F00024	GASKET (QTY 2)
121	0154F00025	GASKET (QTY 2)
141	0161F00046	DRAIN TRAP
191	0121F00338LG	DOOR ACCESS 21" PNT (M6, M7, M8)
191	0121F00337LG	DOOR, ACCESS 17.5" PNT (M4, M5)
191	0121F00339LG	DOOR, ACCESS 24.5" PNT (M9)
191	0121F00673LG	PNT, DOOR, ACCESS 14" (M1, M2, M3)
201	0121F00340LG	DOOR, BLOWER 17.5" PNT (M4, M5)
201	0121F00341LG	DOOR, BLOWER 21" PNT (M6, M7, M8)
201	0121F00342LG	DOOR, BLOWER 24.5" PNT (M9)
201	0121F00671LG	PNT,DOOR, BLOWER 14" (M1, M2, M3)
281	B1392139	VIEW PORT BUSHING-BLOWER DOOR (M4, M5, M6, M7, M8, M9)
311	0154F00020	GASKET, DECK (M4, M5)
311	0154F00021	GASKET, DECK (M6, M7, M8)
311	0154F00022	GASKET, DECK (M9)
311	0154F00063	GASKET, DECK (M1, M2, M3)
341	0164F00017	HOSE-ELBOW/TRAP
351	0164F00020	DRAIN HOSE (M1, M2, M3)
351	0164F00006	HOSE, COVER/TRAP (M9)
351	0164F00024	HOSE, COVER/TRAP (M4, M5, M6, M7, M8)
381	0161F00047	COUPLING, HOSE BARBED
451	M0501301	PIPE GROMMET
491	M0570808	BUTTON PLUG (QTY 3)
501	M0570806	BUTTON PLUG
511	M0570807	BUTTON PLUG
521	0161M00027	PLUG, HOLE
601	B1392021	PLASTIC PLUG, 1" (2713-BLK) (QTY 4)
741	B1392104	UNIVERSAL BUSHING UB 875
NS	M0310345	BUTTON PLUG (QTY 2)
NS	0163M00319	HEX NUT-INSERT (QTY 3)
NS	0161M00032	NAMEPLATE, AMANA
NS	M0273904	RETAINER-SCREW (QTY 3)
NS	M0209730	SCREW-DECORATIVE (QTY 3)

**Expanded Model Nomenclature**

- |                     |
|---------------------|
| M1 - AM9C960303ANAA |
| M2 - AM9C960403ANAA |
| M3 - AM9C960603ANAA |
| M4 - AM9C960603BNAA |
| M5 - AM9C960803BNAA |
| M6 - AM9C960804CNAA |
| M7 - AM9C961004CNAA |
| M8 - AM9C961005CNAA |
| M9 - AM9C961205DNAA |

# Blower Assembly

## BLOWER ASSEMBLY



BLOWER ASSEMBLY MAY DIFFER FROM WHAT IS SHOWN

# Blower Assembly

Ref. Part No:	Part No:	Description:	Ref. Part No:	Part No:	Description:
---------------	----------	--------------	---------------	----------	--------------

**Image 1:**

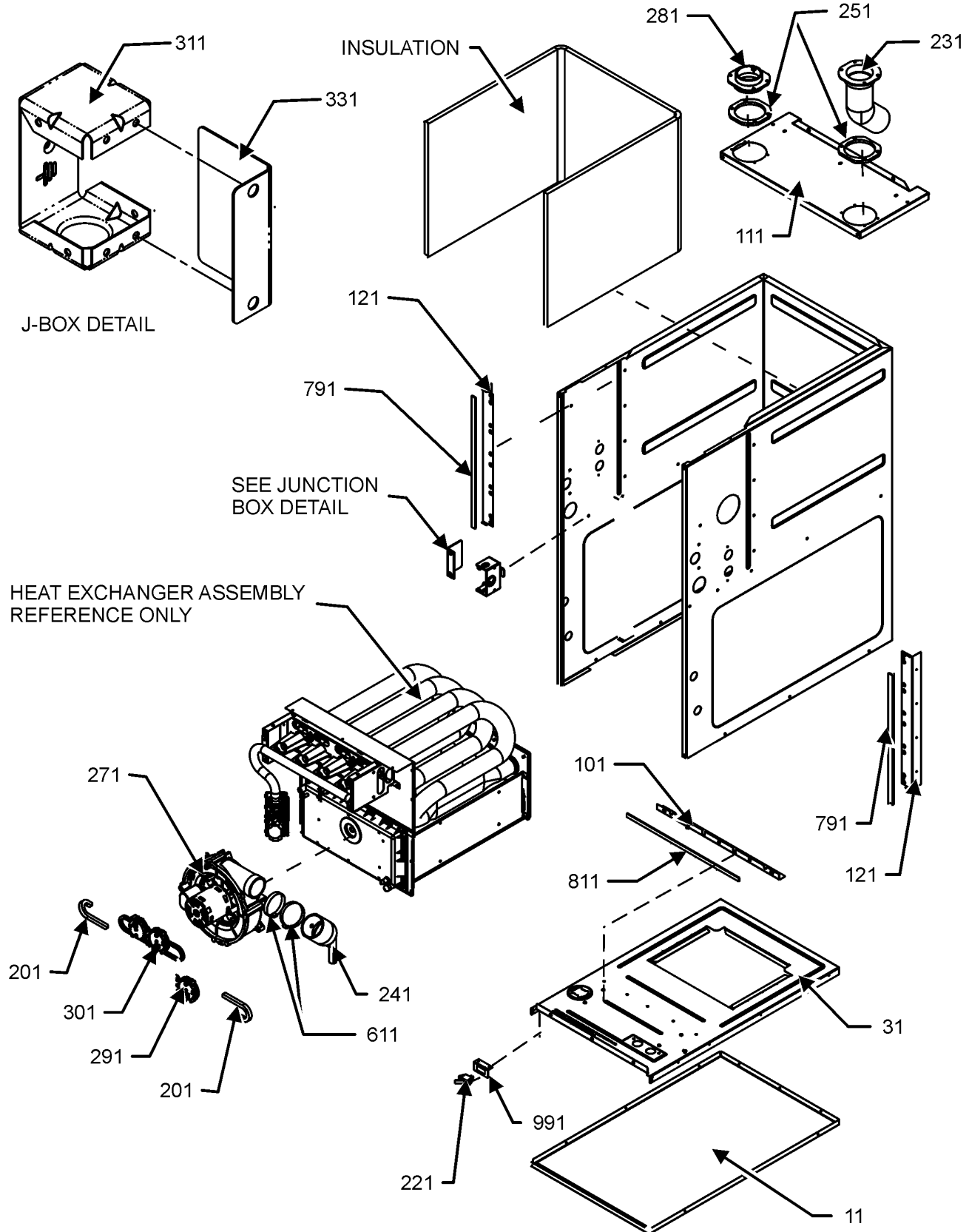
31	0271F00159	BLOWER SHELL & WHEEL ASSY (M4, M5)
31	0271F00161	BLOWER SHELL & WHEEL ASSY (M6, M7, M8)
31	0271F00163	BLOWER SHELL & WHEEL ASSY (M9)
31	0271F00322	BLOWER SHELL & WHEEL ASSY (M1, M2, M3)
141	0121M00039	MOUNT BAND, MOTOR (HEAVY DUTY)
151	0163M00538	MOUNT ARM, MOTOR (QTY 3)
181	0131F00232	MOTOR PROGRAMMED (M1)
181	0131F00233	MOTOR PROGRAMMED (M2)
181	0131F00234	MOTOR PROGRAMMED (M3)
181	0131F00235	MOTOR PROGRAMMED (M4)
181	0131F00236	MOTOR PROGRAMMED (M5)
181	0131F00237	MOTOR PROGRAMMED (M6)
181	0131F00238	MOTOR PROGRAMMED (M7)
181	0131F00239	MOTOR PROGRAMMED (M8)
181	0131F00240	MOTOR PROGRAMMED (M9)
231	M0250565	TC SCREW 1.25" (QTY 3)
251	0163M00320	HEX HEAD ALL THREAD TAP BOLT
261	B1392918	WASHER, FLAT 1/4 ID X 1 OD (QTY 3)
281	B1393800	LOCKNUT, NYLON, INSERT 1/4, 20
381	0130M00140	TRANSFORMER 120V TO 24V, 40VA
401	PCBBF164	CIRCUIT BOARD FURNACE
461	0121F00464	MOUNTING PLATE-CONTROLS
521	0130F00038	AUX LIMIT - LT BLUE 120° (QTY 2)
NS	0159F00119	CTM, MOTOR HARNESS
NS	B1392021	PLASTIC PLUG, 1" (2713-BLK) (QTY 4)
NS	0259F00024	WIRE HARNESS-BLOWER

**Expanded Model Nomenclature**

M1 - AM9C960303ANAA
M2 - AM9C960403ANAA
M3 - AM9C960603ANAA
M4 - AM9C960603BNAA
M5 - AM9C960803BNAA
M6 - AM9C960804CNAA
M7 - AM9C961004CNAA
M8 - AM9C961005CNAA
M9 - AM9C961205DNAA

# Chassis Assembly

## CHASSIS ASSEMBLY



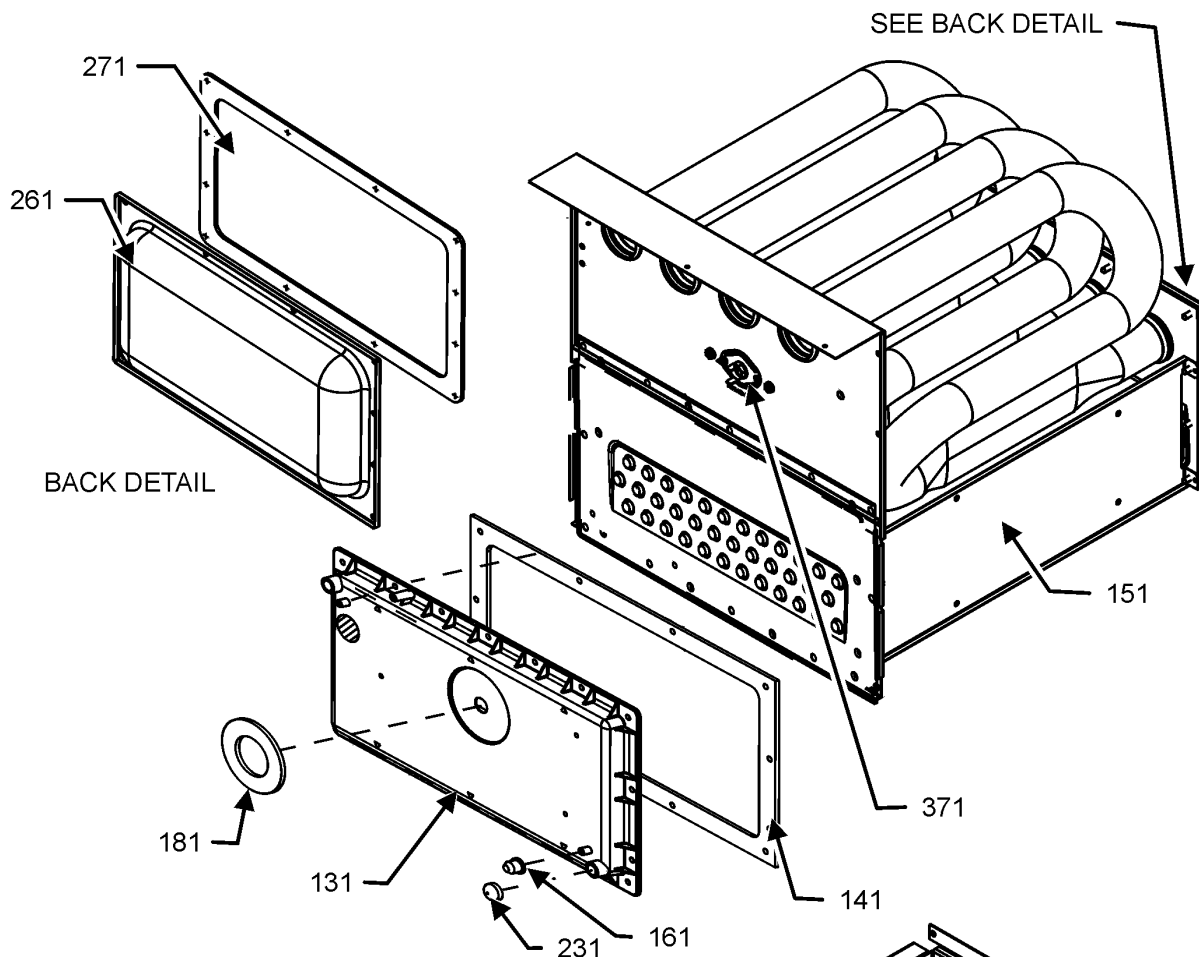
CHASSIS ASSEMBLY MAY DIFFER FROM WHAT IS SHOWN

# Chassis Assembly

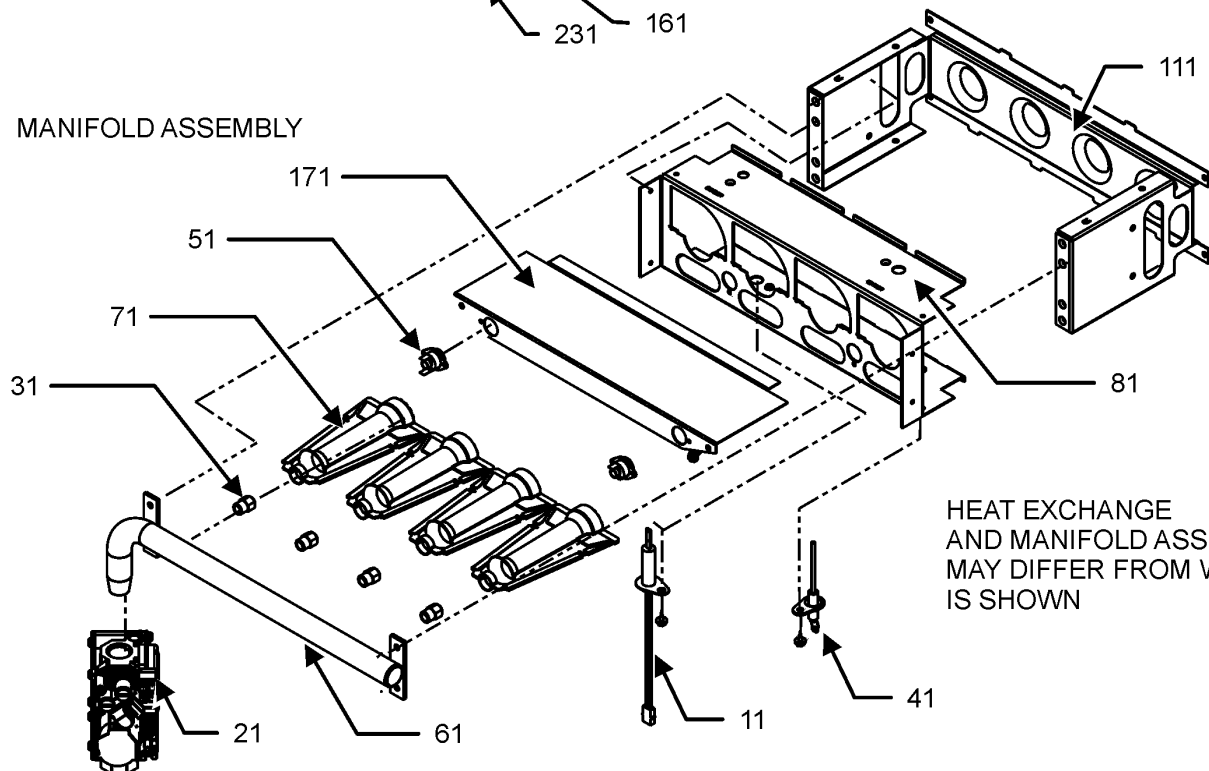
Ref. Part No:	Ref. Part No:	Description:	Description:
<b>Image 1:</b>		<b>Expanded Model Nomenclature</b>	
11	0121F00530DG	BASEPAN, 17.5 (M4, M5)	M1 - AM9C960303ANAA
11	0121F00531DG	BASEPAN, 21 PNT (M6, M7, M8)	M2 - AM9C960403ANAA
11	0121F00532DG	BASEPAN, 24.5 PNT (M9)	M3 - AM9C960603ANAA
11	0121F00664DG	BASEPAN, 14 PNT (M1, M2, M3)	M4 - AM9C960603BNAA
31	0121F00663	DECK, BLOWER 14" (M1, M2, M3)	M5 - AM9C960803BNAA
31	0121F00533	DECK-BLOWER 17.5" (M4, M5)	M6 - AM9C960804CNAA
31	0121F00534	DECK-BLOWER 21" (M6, M7, M8)	M7 - AM9C961004CNAA
31	0121F00535	DECK-BLOWER 24.5" (M9)	M8 - AM9C961005CNAA
101	0121F00314	ANGLE, DECK (M4, M5)	M9 - AM9C961205DNAA
101	0121F00315	ANGLE, DECK (M6, M7, M8)	
101	0121F00316	ANGLE, DECK (M9)	
101	0121F00661	ANGLE, DECK (M1, M2, M3)	
111	0121F00279DG	PAINTED TOP, FURNACE 17.5 (M4, M5)	
111	0121F00280DG	PAINTED TOP, FURNACE 21 (M6, M7, M8)	
111	0121F00281DG	PAINTED TOP, FURNACE 24.5 (M9)	
111	0121F00662DG	PNT, FURNACE TOP 14" (M1, M2, M3)	
121	0121F00313	ANGLE, SIDE (QTY 2)	
201	0164M00121	HOSE- PRESSURE SW 16" (M1, M2, M3)	
201	0164M00115	HOSE- PRESSURE SW 6" (M4, M5, M6, M7, M8,	
201	0164M00116	HOSE- PRESSURE SW 7" (M1, M2, M3)	
221	0130M00243	INTERLOCK SWITCH	
231	0164F00002	FLUE PIPE W/BEND	
241	0164F00025	ELBOW-FLUE,UPFLOW	
251	0154F00041	FRESH AIR GASKET	
271	0171M00007	ID BLOWER, 2 Stg (M1, M2, M3)	
271	0171M00002	MOTOR-ID, BLOWER (M4, M5, M6, M7, M8, M9)	
281	0161F00037	COUPLING	
291	0130F00429	PRESSURE SWITCH (M4, M5, M6, M7, M8, M9)	
291	0130F00646	PRESSURE SWITCH (M3)	
291	0130F00647	PRESSURE SWITCH (M1, M2)	
301	0130F00643	PRESSURE SWITCH (M1)	
301	0130F00644	PRESSURE SWITCH (M2)	
301	0130F00645	PRESSURE SWITCH (M3)	
301	0130F00434	SWITCH, PRESSURE (M7)	
301	0130F00435	SWITCH, PRESSURE (M4)	
301	0130F00436	SWITCH, PRESSURE (M5)	
301	0130F00443	SWITCH, PRESSURE (M6, M8)	
301	0130F00445	SWITCH, PRESSURE (M9)	
311	0161F00042	JUNCTION BOX PLA	
331	0161F00043	JUNCTION BOX LID	
611	0163M00460	CLAMP-HOSE (QTY 2)	
791	0154F00015	GASKET (QTY 2)	
811	0154F00014	GASKET (M4, M5)	
811	0154F00016	GASKET (M6, M7, M8)	
811	0154F00064	GASKET (M1, M2, M3)	
811	20194607	GASKET (M9)	
991	0121F00389	BRACKET, DOOR SWITCH	
NS	0160F00025	INSULATION, HT EXCHANGER (M1, M2, M3)	
NS	0160F00015	INSULATION, HT EXCHANGER 17.5" (M4, M5)	
NS	0160F00016	INSULATION, HT EXCHANGER 21" (M6, M7, M8)	
NS	0160F00017	INSULATION, HT EXCHANGER 24.5" (M9)	
NS	M0326804	PLUG-TUBE	
NS	0159F00140	WIRE HARNESS (M1, M2)	
NS	0159F00141	WIRE HARNESS (M3, M4, M5, M6, M7, M8, M9)	

# Heat Exchange and Manifold Assembly

## HEAT EXCHANGE ASSEMBLY



## MANIFOLD ASSEMBLY



# Heat Exchange and Manifold Assembly

Ref. Part No:	Ref. Part No:	Description:	Description:
<b>Image 1:</b>		<b>Image 1:</b>	
11	0130F00008	IGNITOR-SINI 17 SEC	171 0121F00758 SHIELD, BURNER (M3)
21	0151M00027	GAS VALVE	181 0154F00043 GASKET ID BLOWER
31	0163F00019	ORIFICE (M1)	231 A1781105 CAP-VINYL .500
31	10716005	ORIFICE (M2, M3, M4, M5, M6, M7, M8, M9)	261 0121F00317 COVER, REAR (M4, M5)
41	0130F00010	FLAME SENSOR	261 0121F00318 COVER, REAR (M6, M7, M8)
51	0130F00123	MANUAL RESET LIMIT - ROS (M5)	261 0121F00319 COVER, REAR (M9)
51	10123517	MANUAL RESET LIMIT - ROS (M3)	261 0121F00670 COVER, REAR (M1, M2, M3)
51	10123527	MANUAL RESET LIMIT - ROS (M9)	271 0154F00058 GASKET REAR CVR (M1, M2, M3)
51	10123534	MANUAL RESET LIMIT - ROS (M7, M8)	271 0154F00037 GASKET, REAR CVR (M4, M5)
51	10123538	MANUAL RESET LIMIT - ROS (M1, M2)	271 0154F00038 GASKET, REAR CVR (M6, M7, M8)
51	10123539	MANUAL RESET LIMIT - ROS (M4, M6)	271 0154F00039 GASKET, REAR CVR (M9)
61	0163F00007	MANIFOLD (M1, M2)	371 20162904 *PRIMARY LIMIT-TEMPERATURE CONTROL (M5, M6)
61	0163F00008	MANIFOLD (M4)	
61	0163F00009	MANIFOLD (M6)	371 20162903 PRIMARY LIMIT - BLUE (M1, M2, M3, M8)
61	0163F00010	MANIFOLD (M7, M8)	371 0130F00036 PRIMARY LIMIT - PINK 180° (M9)
61	0163F00011	MANIFOLD (M9)	371 20162906 PRIMARY LIMIT - WHITE (M4, M7)
61	0163F00014	MANIFOLD (M5)	NS 0121F00582 INSULATION, RETAINER (M1, M2, M3)
61	0163F00037	MANIFOLD, 3B (M3)	NS 0121F00583 INSULATION, RETAINER (M4, M5)
71	0163F00017	BECKETT BURNER (QTY 2)	NS 0121F00584 INSULATION, RETAINER (M6, M7, M8)
81	0121F00456	BRACKET-BURNER 2 (M1, M2)	NS 0121F00585 INSULATION, RETAINER (M9)
81	0121F00455	BRACKET-BURNER 3 (M3, M4)	NS 0121F00439 PRIMARY LIMIT-HEAT SHIELD
81	0121F00454	BRACKET-BURNER 4 (M5, M6)	NS 0121F00355 SHIELD, COIL (QTY 2)
81	0121F00453	BRACKET-BURNER 5 (M7, M8)	
81	0121F00451	BRACKET-BURNER 6 (M9)	
111	0121F00469	ORIFICE BRACKET-BURNER 2 (M1, M2)	
111	0121F00468	ORIFICE BRACKET-BURNER 3 (M3, M4)	
111	0121F00467	ORIFICE BRACKET-BURNER 4 (M5, M6)	
111	0121F00466	ORIFICE BRACKET-BURNER 5 (M7, M8)	
111	0121F00465	ORIFICE BRACKET-BURNER 6 (M9)	
131	0161F00072	COVER FRONT (M8)	
131	0161F00024	COVER, FRONT (M5)	
131	0161F00030	COVER, FRONT (M6)	
131	0161F00054	COVER, FRONT (M4)	
131	0161F00063	COVER, FRONT (M9)	
131	0161F00081	COVER, FRONT (M1)	
131	0161F00082	COVER, FRONT (M2)	
131	0161F00083	COVER, FRONT (M3)	
131	0161F00065	COVER,FRONT (M7)	
141	0154F00026	GASKET FRONT COVER (M4, M5)	
141	0154F00030	GASKET FRONT COVER (M6, M7, M8)	
141	0154F00034	GASKET FRONT COVER (M9)	
141	0154F00062	GASKET FRONT COVER (M1, M2, M3)	
151	0257F00443	ASSY, HEAT EXCHANGER (M1)	
151	0257F00450	ASSY. HEAT EXCHANGER (M2)	
151	0257F00375	HEAT EXCHANGER ASSY (M4)	
151	0257F00394	HEAT EXCHANGER ASSY (M7)	
151	0257F00397	HEAT EXCHANGER ASSY (M8)	
151	0257F00415	HEAT EXCHANGER ASSY (M3)	
151	0257F00290	HEAT EXCHANGER ASSY. (M6)	
151	0257F00292	HEAT EXCHANGER ASSY. (M9)	
151	0257F00354	HEAT EXCHANGER ASSY. (M5)	
161	M0326804	TUBE PLUG	
171	0121F00540	SHEILD, BURNER (M4)	
171	0121F00541	SHEILD, BURNER (M5, M6)	
171	0121F00542	SHEILD, BURNER (M7, M8)	
171	0121F00543	SHEILD, BURNER (M9)	
171	0121F00755	SHIELD, BURNER (M1, M2)	

### Expanded Model Nomenclature

M1 - AM9C960303ANAA
M2 - AM9C960403ANAA
M3 - AM9C960603ANAA
M4 - AM9C960603BNAA
M5 - AM9C960803BNAA
M6 - AM9C960804CNAA
M7 - AM9C961004CNAA
M8 - AM9C961005CNAA
M9 - AM9C961205DNAA