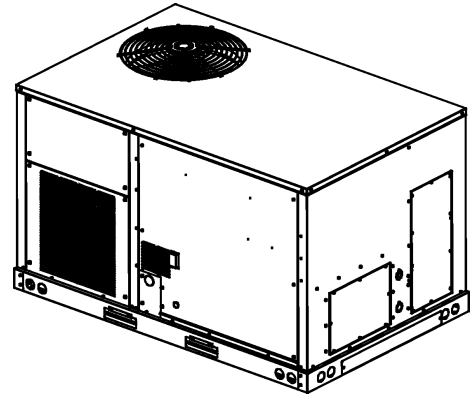


DFG 5 Ton Direct Drive Commercial Package Gas Unit

DFG0601DH00001SAA
DFG0601DL00001SAA
DFG0603DH00001SAA
DFG0603DL00001SAA
DFG0603DM00001SAA
DFG0604DH00001SAA
DFG0604DL00001SAA
DFG0604DM00001SAA
DFG0607DH00001SAA



This manual is to be used by qualified technicians only.

Important Information

Index

| | |
|------------------------------|--------|
| Functional Parts List | 3 |
| Illustration and Parts | 4 - 17 |

Views shown are for parts illustrations only, not servicing procedures.

Text Codes:

AR - As Required

NA - Not Available

NS - Not Shown

00000000 - See Note

QTY - Quantity Example (QTY 3) (If Quantity not shown, Quantity = 1)

M - Model Example (M1) (If M Code not shown, then part is used on all Models)

Expanded Model Nomenclature:

| |
|--------------|
| Example |
| M1 - Model#1 |
| M2 - Model#2 |
| M3 - Model#3 |

Daikin Company, L.P. is not responsible for personal injury or property damage resulting from improper service. Review all service information before beginning repairs.

Warranty service must be performed by an authorized technician, using authorized factory parts. If service is required after the warranty expires, Daikin Company, L.P. also recommends contacting an authorized technician and using authorized factory parts.

Daikin Company, L.P. reserves the right to discontinue, or change at any time, specifications or designs without notice or without incurring obligations.

For assistance within the U.S.A. contact:

Equipment Support
Daikin North America, LLC
19001 Kermier Road
Waller, Texas 77484
855-770-5678-Telephone
713-863-2382-Facsimile

For assistance outside the U.S.A. contact:

International Division
Daikin North America, LLC
19001 Kermier Road
Waller, Texas 77484
713-861-2500-Telephone
713-863-2382-Facsimile

Functional Parts

Part No: **Description:**

| | |
|----------------|---|
| 0251L00123 | ASSY., EXPANSION VALVE |
| 0163F00017 | BECKETT BURNER (QTY 6) |
| 0150L00003 | BLADE-FAN 22" ALUM. CCW 30 DEG |
| CAP100000440LA | CAP 10 MFD/440V/OVAL (M6, M7, M8) |
| CAP100000370LA | CAP, 10 MFD/370V/OVAL (M3, M4, M5) |
| CAP100700440CT | CAP, 10/70 MFD/ 440V/ DUAL RD (M1, M2) |
| CAP050000440LA | CAPACITOR (M9) |
| ZP51K5ETFE130 | COMP, 5100, 575/60/3 (M9) |
| ZP51K5EPFV130 | COMP,51000,208/230/60/1 (M1, M2) |
| ZP51K5ETF5130 | COMP,51000,208/230/60/3 (M3, M4, M5) |
| ZP51K5ETFD130 | COMP,51000,460/60/3 (M6, M7, M8) |
| CONT2P025024V | CONT, 2 POLE, 25 AMP, 24 VAC |
| CONT2P025024V | CONT, 2 POLE, 25 AMP, 24 VAC |
| CONT2P040024V | CONT, 2 POLE, 40 AMP, 24 VAC (M1, M2) |
| CONT3P025024V | CONT, 3 POLE, 25 AMP, 24 VAC (M6, M7, M8, M9) |
| CONT3P030024V | CONT, 3 POLE, 30 AMP, 24 VAC (M3, M4, M5) |
| 0130F00010 | FLAME SENSOR (M1, M3, M5, M6, M8, M9) |
| 0130M00719 | FLAME SENSOR (M2, M4, M7) |
| 0151F00000P | GAS VALVE - WHITE-RODGERS 2-STAGE |
| 20261709 | IGNITOR |
| 0130M00663 | LIMIT, PRIMARY (M3, M4, M6, M7, M9) |
| 20162904 | LIMIT, PRIMARY |
| 0130F00035 | LIMIT, PRIMARY (M1, M5, M8) |
| 0130M00658 | LIMIT, PRIMARY (M2) |
| 10123532 | LIMIT-RESET MAN-GRAY (M1, M2, M3, M5, M6, M8, M9) |
| 10123529 | LIMIT-RESET MAN-GREEN (M4, M7) |
| 0131M00430 | MOTOR, 1/3 HP, 1 SP, 6 PL (M1, M2, M3, M4, M5) |
| 0131M00858 | MOTOR, 1/3 HP, OD (M9) |
| 0131M00774 | MOTOR, 1/3 HP, OD (M6, M7, M8) |
| PCBAG123 | PCB, IGNITION, DSI, INTEG |
| 0131L00294 | PROGRAM MOTOR (M4) |
| 0131L00303 | PROGRAM MOTOR (M2) |
| 0131L00297 | PROGRAM MOTOR (M7) |
| 0131L00296 | PROGRAM MOTOR (M8) |
| 0131L00293 | PROGRAM, MOTOR (M5) |
| 0131L00295 | PROGRAM, MOTOR (M6, M9) |
| 0131L00302 | PROGRAM, MOTOR (M1) |
| 0131L00292 | PROGRAM, MOTOR (M3) |
| 0130M00730 | SWITCH, HIGH PRESSURE |
| 0130M00732 | SWITCH, LOW PRESSURE |
| 11112501 | SWITCH-PRESSURE |
| 0130M00038 | TERMINAL BOARD |
| 0130M00596 | TRANSFMR, 150VA, 480V TO 23 (M6, M7, M8) |
| 0130M00597 | TRANSFMR, 150VA, 575V TO 230V (M9) |
| 0130M00598 | TRANSFMR, 75VA, 575V TO 24V (M9) |
| 0130M00696 | TRANSFORMER 208-240V TO 24V,75 (M1, M2, M3, M4, M5) |
| 0130M00595 | TRANSFORMER, 75VA, 480V TO 24V (M6, M7, M8) |

Expanded Model Nomenclature

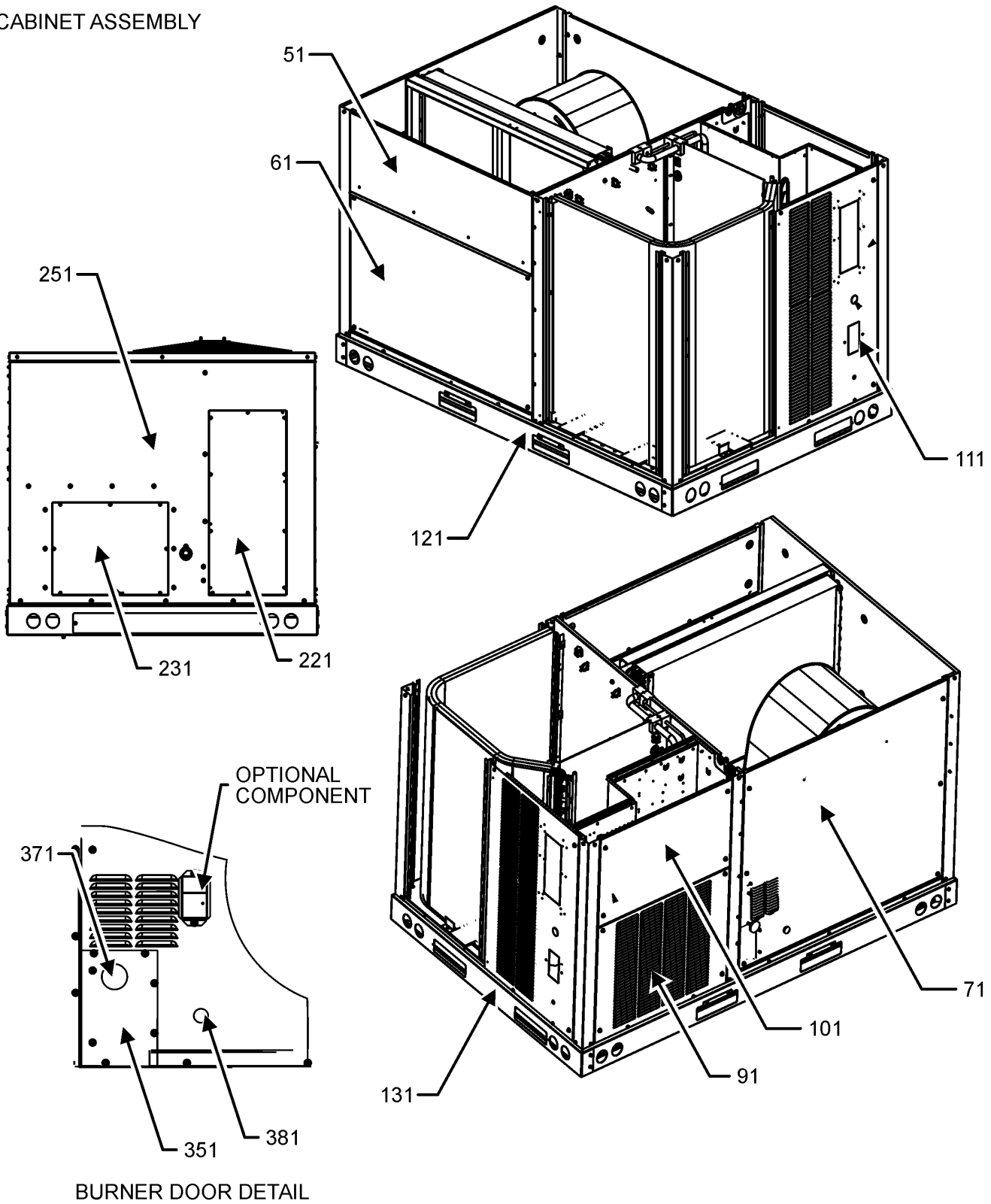
| |
|------------------------|
| M1 - DFG0601DH00001SAA |
| M2 - DFG0601DL00001SAA |
| M3 - DFG0603DH00001SAA |
| M4 - DFG0603DL00001SAA |
| M5 - DFG0603DM00001SAA |
| M6 - DFG0604DH00001SAA |
| M7 - DFG0604DL00001SAA |
| M8 - DFG0604DM00001SAA |
| M9 - DFG0607DH00001SAA |

SPECIAL PARTS

| | |
|-----------|---------------------------|
| RP-FIOPS* | ACCESSORY PART MANUAL |
| RP-HXSC* | HEAT EXCHANGE PART MANUAL |

CABINET ASSEMBLY

CABINET ASSEMBLY



NOTE: CABINET ASSEMBLY MAY DIFFER FROM WHAT IS SHOWN

CABINET ASSEMBLY

| Ref. Part No: | No: | Description: | Ref. Part No: | No: | Description: |
|---------------|-----|--------------|---------------|-----|--------------|
|---------------|-----|--------------|---------------|-----|--------------|

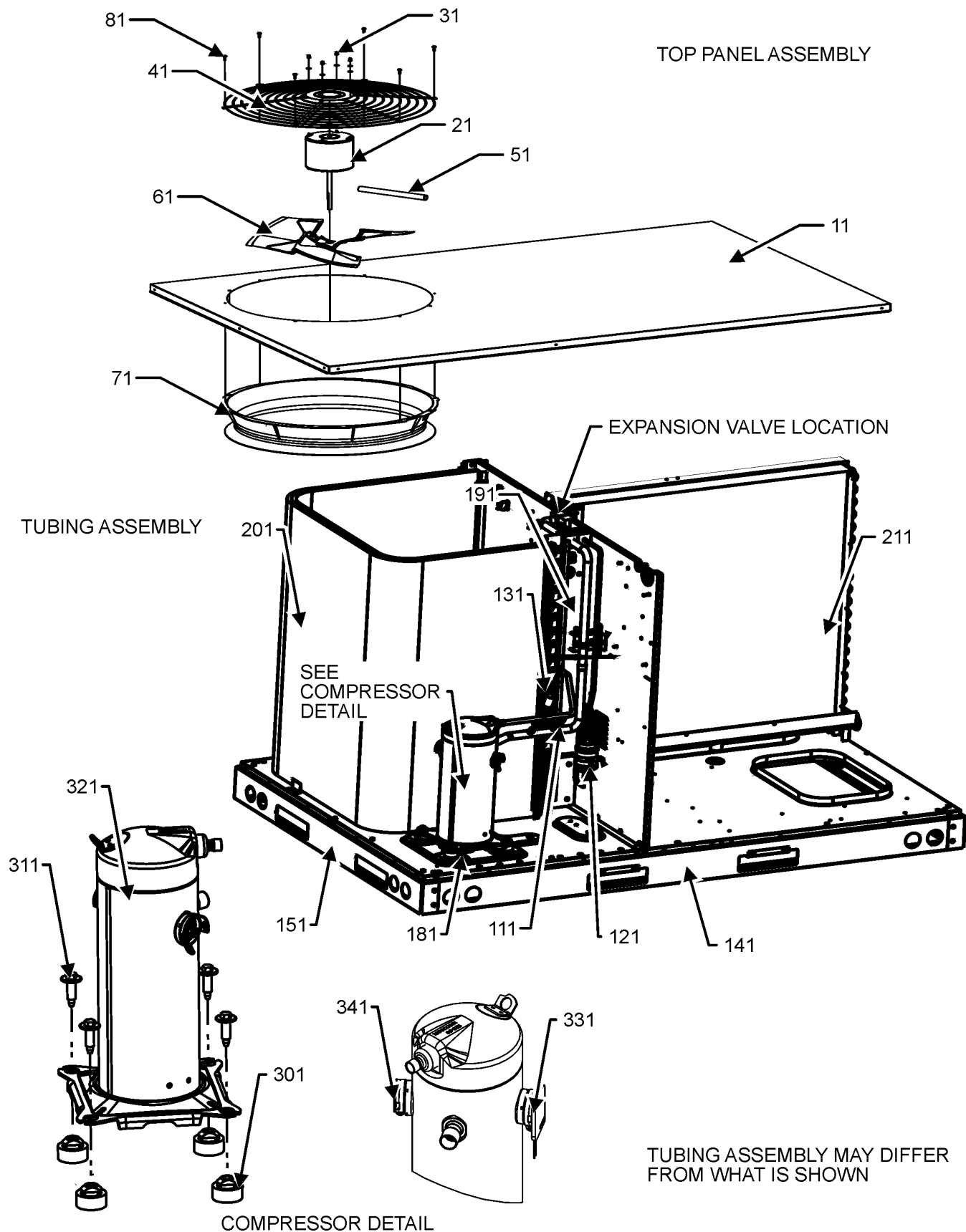
Image 1:

| | | |
|-----|--------------|------------------------------|
| 51 | 0121L01734SB | PAINTED FILTER PANEL |
| 61 | 0121L01651SB | PAINTED ECONOMIZER PANEL |
| 71 | 0121L03626SB | PAINTED PANEL GAS BLOWER |
| 91 | 0121L02263SB | PAINTED COMPRESSOR PANEL |
| 101 | 0121L02262SB | PAINTED CONTROL BOX PANEL |
| 111 | 0121L03642SB | COMPRESSOR BACK PANEL |
| 121 | 0121L01620 | SIDE RAIL (QTY 2) |
| 131 | 0121L01621 | END RAIL (QTY 2) |
| 221 | 0121L02910SB | PAINTED COVER-DUCT RETURN |
| 231 | 0121L02911SB | PAINTED COVER-DUCT SUPPLY |
| 251 | 0121L02996SB | PAINTED BACK PANEL |
| 351 | 0121L03443SB | PAINTED, GAS INLET PANEL |
| 371 | B1910010 | GROMMET, GAS LINE |
| 381 | B1392139 | VIEW PORT BUSHING, CLEAR 1.0 |
| NS | 0121L03931 | HEAT EXCHANGER FLASHING |

Expanded Model Nomenclature

| |
|------------------------|
| M1 - DFG0601DH00001SAA |
| M2 - DFG0601DL00001SAA |
| M3 - DFG0603DH00001SAA |
| M4 - DFG0603DL00001SAA |
| M5 - DFG0603DM00001SAA |
| M6 - DFG0604DH00001SAA |
| M7 - DFG0604DL00001SAA |
| M8 - DFG0604DM00001SAA |
| M9 - DFG0607DH00001SAA |

TOP PANEL & TUBING ASSEMBLY



TOP PANEL & TUBING ASSEMBLY

| Ref. Part No: No: | Description: | Ref. Part No: No: | Description: |
|-------------------|--------------|-------------------|--------------|
|-------------------|--------------|-------------------|--------------|

Image 1:

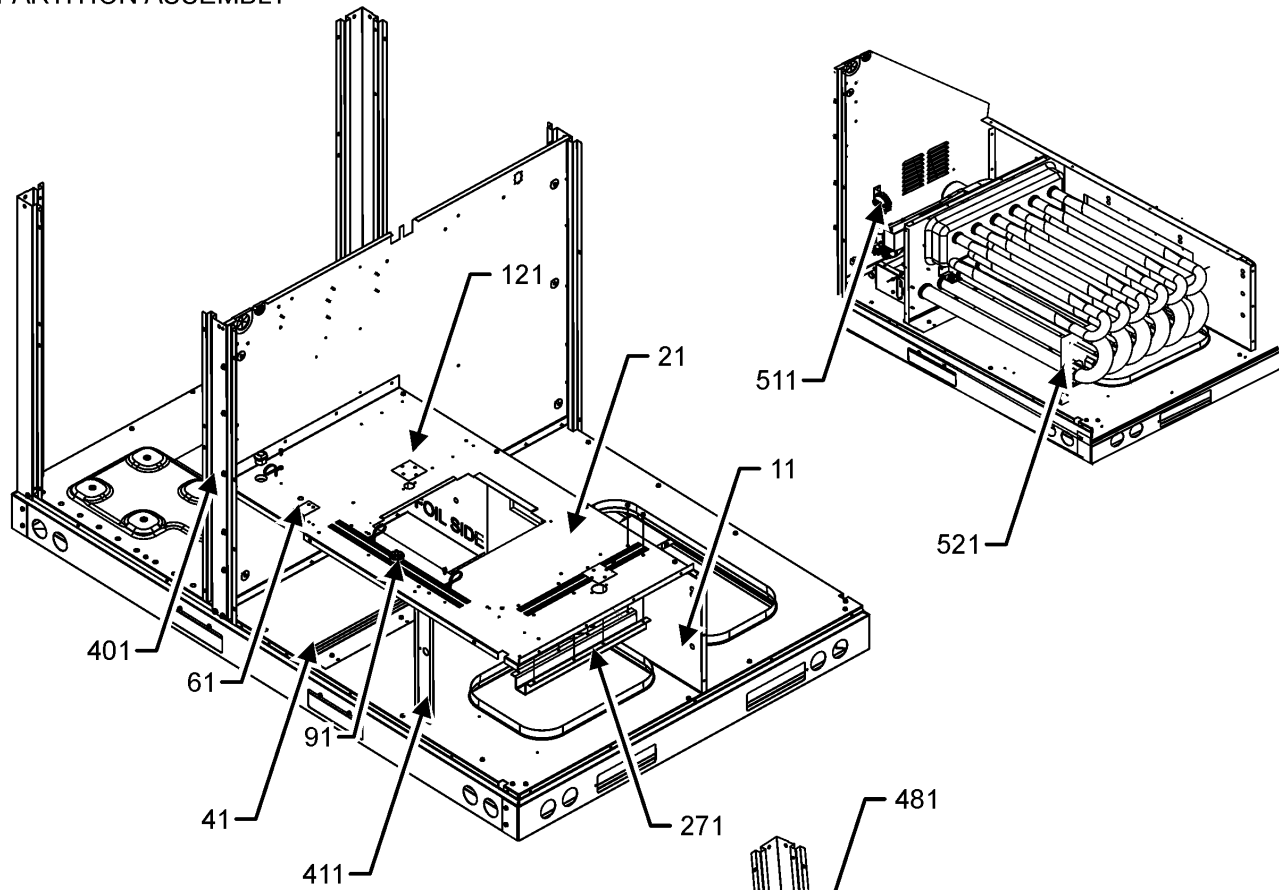
| | | |
|-----|---------------|---|
| 11 | 0121L01626SB | PAINTED, TOP PANEL |
| 21 | 0131M00430 | MOTOR, 1/3 HP, 1 SP, 6 PL (M1, M2, M3, M4, M5) |
| 21 | 0131M00774 | MOTOR, 1/3 HP, OD (M6, M7, M8) |
| 21 | 0131M00858 | MOTOR, 1/3 HP, OD (M9) |
| 31 | 0163M00006P | ACORN NUT 5/16 HEX BLACK (QTY 4) |
| 41 | 0152G00000 | FAN GRILLE, RAISED |
| 51 | 0161R00003P | CONDUIT |
| 61 | 0150L00003 | BLADE-FAN 22" ALUM. CCW 30 DEG |
| 71 | 0161L00000 | RING VENTURI 22 |
| 81 | 0163M00004 | SCREW #10X3/4", BLACK (QTY 8) |
| 111 | 0130M00732 | SWITCH, LOW PRESSURE |
| 121 | 0162R00056 | FILTER/DRIER-BI-FLOW |
| 131 | 0130M00730 | SWITCH, HIGH PRESSURE |
| 141 | 0121L01620 | SMALL SIDE RAIL (QTY 2) |
| 151 | 0121L01621 | SMALL END RAIL (QTY 2) |
| 191 | 0121L04599 | BLOCKOFF, OD COIL |
| 201 | 0201L00781 | ASSY COIL BEND |
| 211 | 0202L00447 | ASSY ID COIL TUBING |
| 301 | B1339533 | COMPRESSOR GROMMET (QTY 4) |
| 311 | B1393740 | COMP. BOLT & SLEEVE (QTY 4) |
| 321 | ZP51K5ETFE130 | COMP, 5100, 575/60/3 (M9) |
| 321 | ZP51K5EPFV130 | COMP,51000,208/230/60/1 (M1, M2) |
| 321 | ZP51K5ETF5130 | COMP,51000,208/230/60/3 (M3, M4, M5) |
| 321 | ZP51K5ETFD130 | COMP,51000,460/60/3 (M6, M7, M8) |
| 331 | 0159L00065 | HARNESS, COMP SCROLL (M3, M4, M5, M6, M7, M8, M9) |
| 331 | 0159L00027 | HARNESS-COMP SCROLL (M1, M2) |
| NS | 0251L00123 | ASSY., EXPANSION VALVE |
| NS | 0141L00003X | BOARD-FORK (QTY 2) |
| NS | 0121L03516 | PNL, BRACKET, FORK BOARD (QTY 4) |
| NS | 0163M00005P | WASHER, BLACK (.50 OD .218ID) (QTY 4) |

Expanded Model Nomenclature

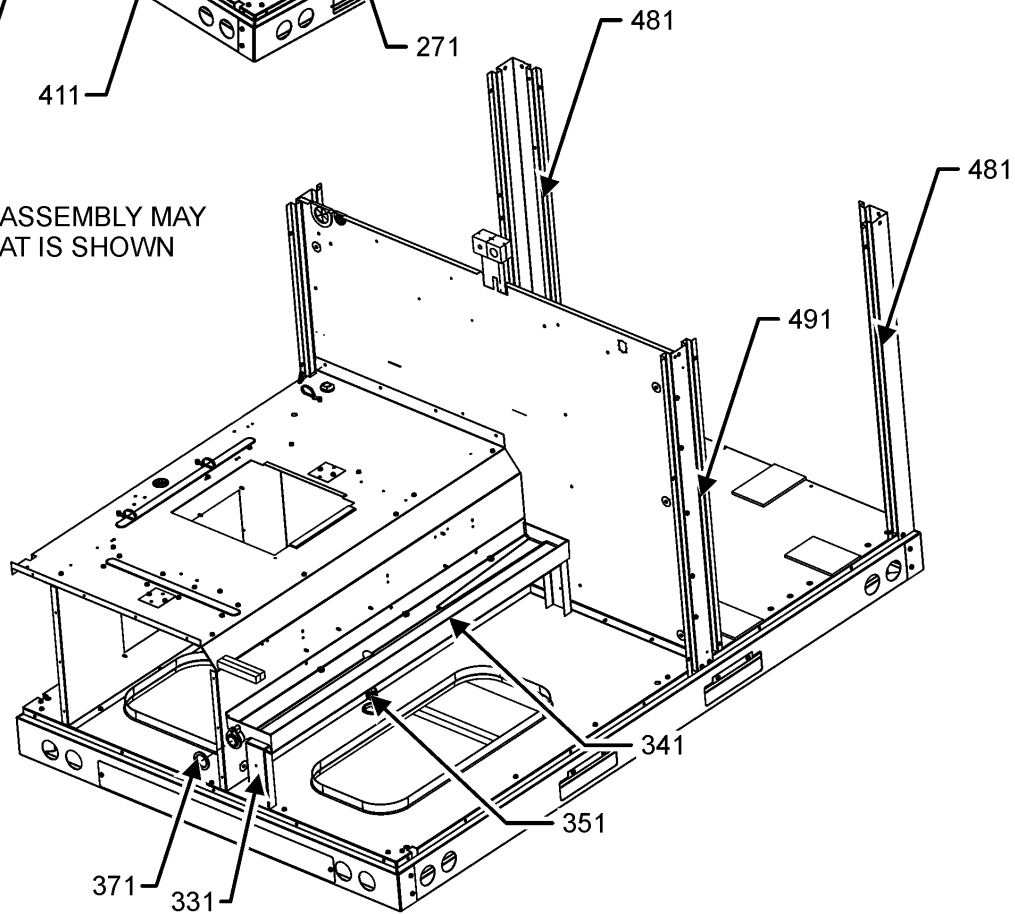
- | |
|------------------------|
| M1 - DFG0601DH00001SAA |
| M2 - DFG0601DL00001SAA |
| M3 - DFG0603DH00001SAA |
| M4 - DFG0603DL00001SAA |
| M5 - DFG0603DM00001SAA |
| M6 - DFG0604DH00001SAA |
| M7 - DFG0604DL00001SAA |
| M8 - DFG0604DM00001SAA |
| M9 - DFG0607DH00001SAA |

PARTITION ASSEMBLY

PARTITION ASSEMBLY



NOTE: PARTITION ASSEMBLY MAY DIFFER FROM WHAT IS SHOWN



PARTITION ASSEMBLY

| Ref. Part No: | No: | Description: | Ref. Part No: | No: | Description: |
|---------------|-----|--------------|---------------|-----|--------------|
|---------------|-----|--------------|---------------|-----|--------------|

Image 1:

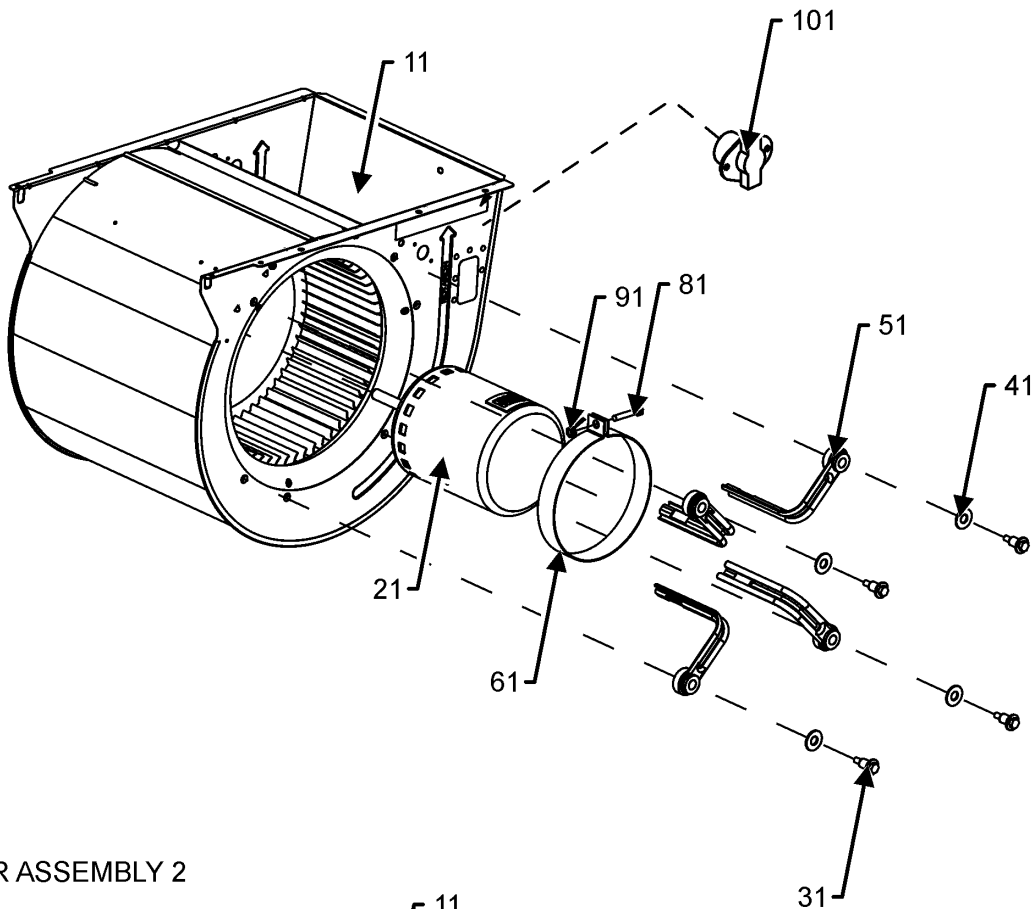
| | | |
|-----|--------------|-----------------------------------|
| 11 | 0121L02584 | BLOWER DECK SIDE |
| 21 | 0121L03426 | PANEL, BLOWER DECK |
| 41 | 0121L00266 | CHANNEL-HEAT PANEL (QTY 2) |
| 61 | 0121L01709 | BLOWER DECK PLATE |
| 91 | B1392147 | UNIVERSIAL BUSHING WITH SLICE |
| 121 | 0121L00321 | COVER-SMOKE DETECTOR (QTY 2) |
| 271 | 0121L02633 | BLOWER DECK U-BRACKET |
| 331 | 0121L02985 | DRAINPAN SUPPORT |
| 341 | 0161L00007 | DRAIN PAN, EVAPORATOR 3-5 TON |
| 351 | 0163L00071 | PLUG, DRAIN |
| 371 | 0154L00180 | GASKET, DRAIN PAN |
| 401 | 0121L03442SB | PAINTED SIDE POST |
| 411 | 0121L00300 | POST-DECK SUPPORT |
| 481 | 0121L01728SB | PAINTED CORNER POST (QTY 2) |
| 491 | 0121L04180SB | PANITED SIDE POST |
| 511 | 11112501 | SWITCH-PRESSURE |
| 521 | 0121L03320 | BRACKET, TUBE SUPPORT |
| NS | 0160L00137 | AIR FILTER 20X25X2 (QTY 2) |
| NS | 0121L00293 | ANGLE-HEAT EXCHANGER BACK (QTY 2) |
| NS | 0121L03125 | BRACKET, TUBE (QTY 6) |
| NS | 0121L02935 | BRACKET, TUBE SUPPORT |
| NS | 0164M00111 | GROMMET-D |
| NS | 0164G00005 | GROMMET-HORSESHOW 1.675 |
| NS | 0121L03127 | HORIZONTAL SUPPORT (QTY 2) |
| NS | 0121L01954 | OD COIL BLOCKOFF ANGLE |

Expanded Model Nomenclature

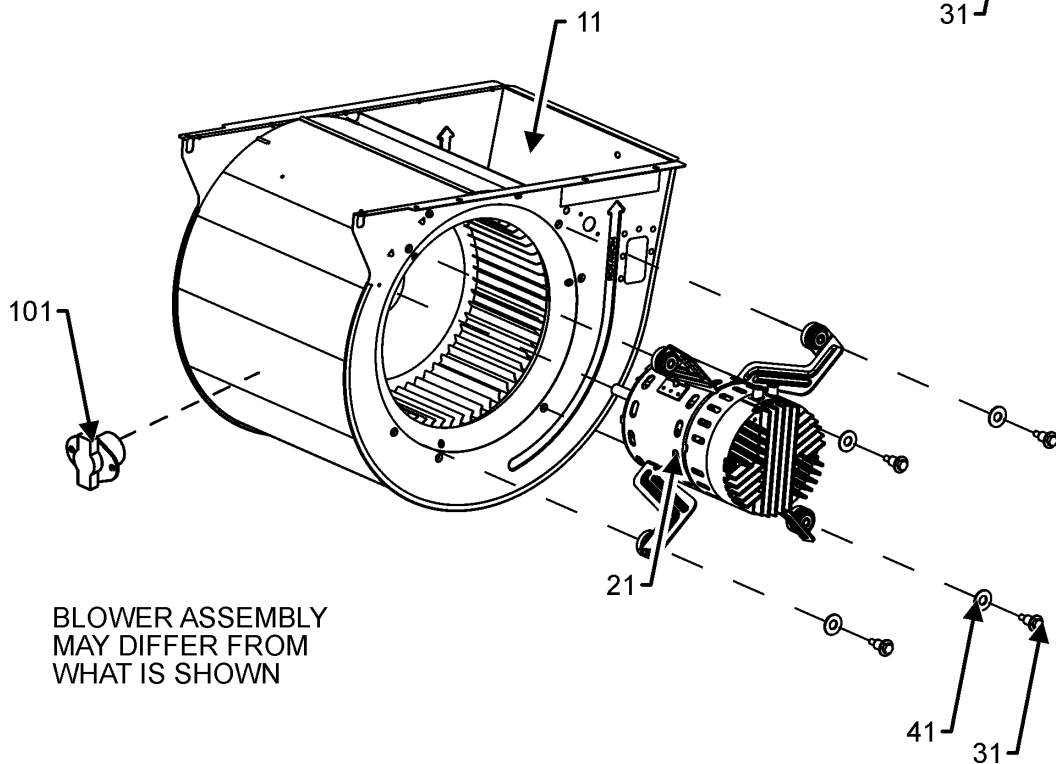
- | |
|------------------------|
| M1 - DFG0601DH00001SAA |
| M2 - DFG0601DL00001SAA |
| M3 - DFG0603DH00001SAA |
| M4 - DFG0603DL00001SAA |
| M5 - DFG0603DM00001SAA |
| M6 - DFG0604DH00001SAA |
| M7 - DFG0604DL00001SAA |
| M8 - DFG0604DM00001SAA |
| M9 - DFG0607DH00001SAA |

BLOWER ASSEMBLY

BLOWER ASSEMBLY 1



BLOWER ASSEMBLY 2



BLOWER ASSEMBLY
MAY DIFFER FROM
WHAT IS SHOWN

BLOWER ASSEMBLY

| Ref. Part No: | Part No: | Description: | Ref. Part No: | Part No: | Description: |
|---------------|----------|--------------|---------------|----------|--------------|
|---------------|----------|--------------|---------------|----------|--------------|

Image 1:

| | | |
|-----|------------|---|
| 11 | 0271L00137 | ASSY, BLOWER HOUSING (M6, M7, M8, M9) |
| 11 | 0271L00133 | ASSY., HOUSING, BLWR (M1, M2, M3, M4, M5) |
| 21 | 0131L00294 | PROGRAM MOTOR (M4) |
| 21 | 0131L00296 | PROGRAM MOTOR (M8) |
| 21 | 0131L00297 | PROGRAM MOTOR (M7) |
| 21 | 0131L00303 | PROGRAM MOTOR (M2) |
| 21 | 0131L00292 | PROGRAM, MOTOR (M3) |
| 21 | 0131L00293 | PROGRAM, MOTOR (M5) |
| 21 | 0131L00295 | PROGRAM, MOTOR (M6, M9) |
| 21 | 0131L00302 | PROGRAM, MOTOR (M1) |
| 31 | M0250565 | SCREW-TC 1.25" (QTY 4) |
| 41 | B1392918 | WASHER, FLAT 1/4 ID X 1 OD (QTY 4) |
| 51 | 0163A00008 | MOTOR MOUNTING ARM (M1, M2, M3, M4, M5) |
| 61 | 10441601 | BAND-MTR MOUNT (M1, M2, M3, M4, M5) |
| 81 | M0267144 | SCREW-MACH (M1, M2, M3, M4, M5) |
| 91 | M0282015 | NUT-KEPS (M1, M2, M3, M4, M5) |
| 101 | 20162904 | LIMIT, PRIMARY |

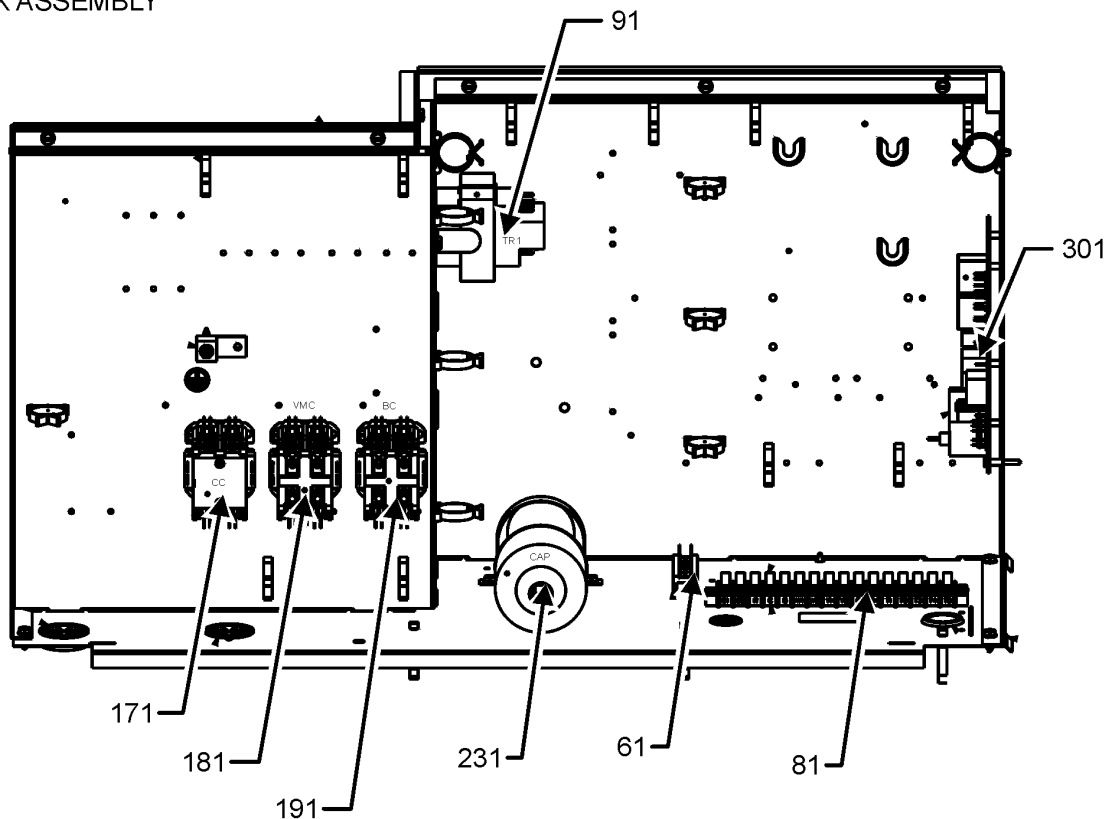
Expanded Model Nomenclature

| |
|------------------------|
| M1 - DFG0601DH00001SAA |
| M2 - DFG0601DL00001SAA |
| M3 - DFG0603DH00001SAA |
| M4 - DFG0603DL00001SAA |
| M5 - DFG0603DM00001SAA |
| M6 - DFG0604DH00001SAA |
| M7 - DFG0604DL00001SAA |
| M8 - DFG0604DM00001SAA |
| M9 - DFG0607DH00001SAA |

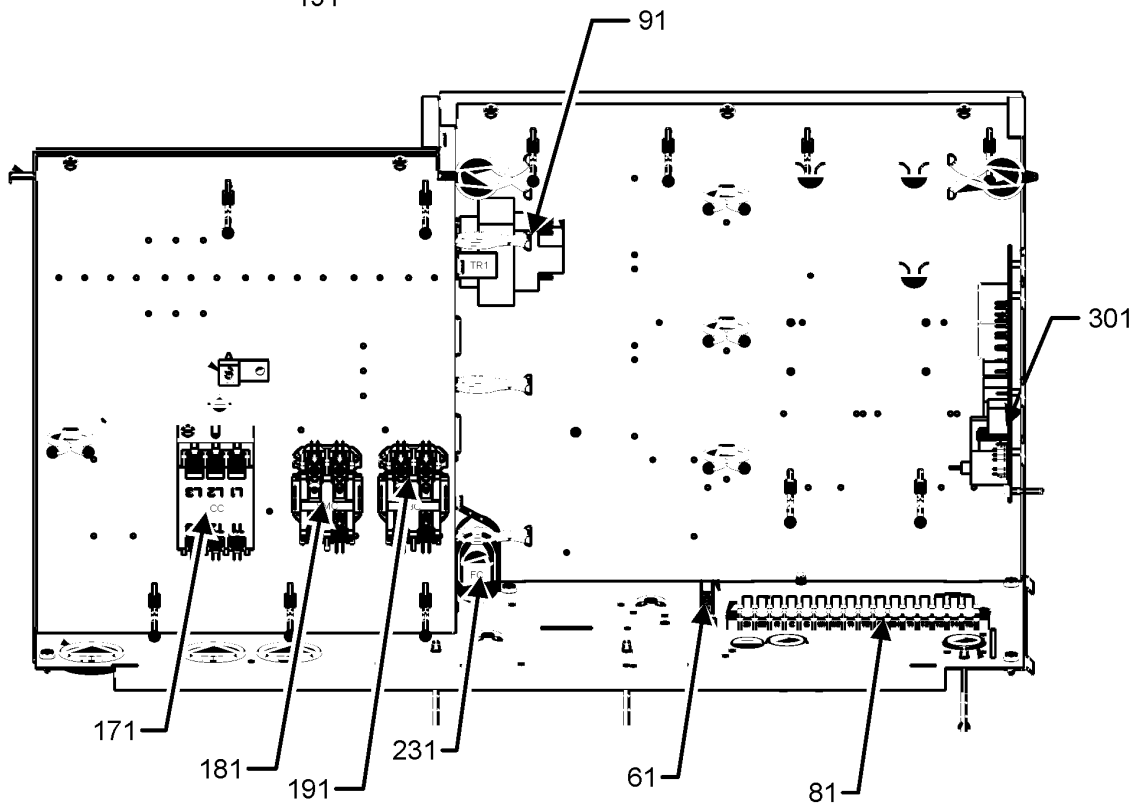
CONTROL BOX ASSEMBLY

CONTROL BOX ASSEMBLY

1 PHASE



3 PHASE



CONTROL BOX ASSEMBLY MAY DIFFER FROM WHAT IS SHOWN

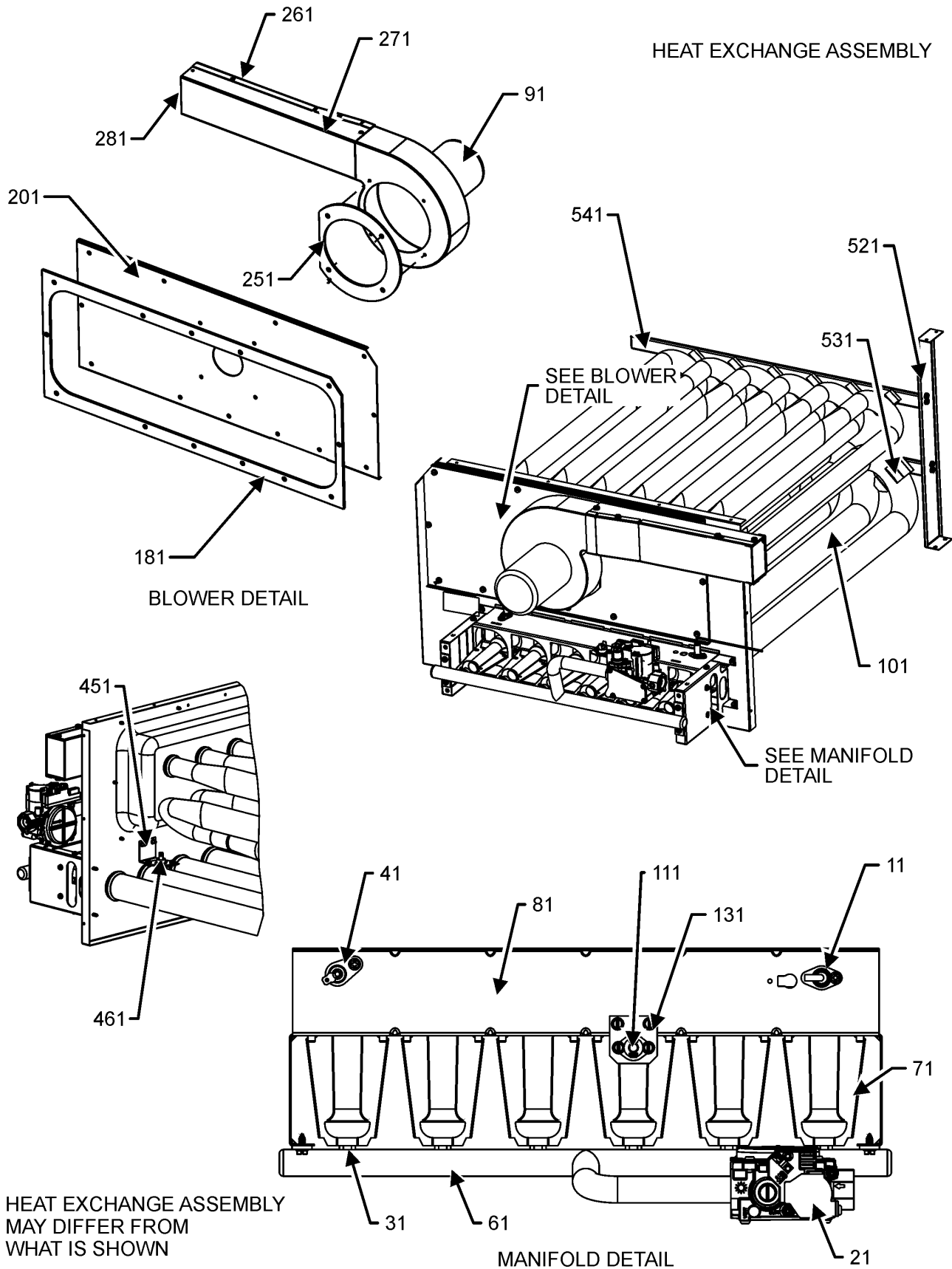
CONTROL BOX ASSEMBLY

| Ref. Part No: | No: | Description: | Ref. Part No: | No: | Description: |
|-----------------|----------------|---|---------------|-----|--------------|
| Image 1: | | | | | |
| 61 | 802007090 | TERM BOARD | | | |
| 81 | 0130M00038 | TERMINAL BOARD | | | |
| 91 | 0130M00598 | TRANSFMR, 75VA, 575V TO 24V (M9) | | | |
| 91 | 0130M00696 | TRANSFORMER 208-240V TO 24V,75 (M1, M2, M3, M4, M5) | | | |
| 91 | 0130M00595 | TRANSFORMER, 75VA, 480V TO 24V (M6, M7, M8) | | | |
| 171 | CONT2P040024V | CONT, 2 POLE, 40 AMP, 24 VAC (M1, M2) | | | |
| 171 | CONT3P025024V | CONT, 3 POLE, 25 AMP, 24 VAC (M6, M7, M8, M9) | | | |
| 171 | CONT3P030024V | CONT, 3 POLE, 30 AMP, 24 VAC (M3, M4, M5) | | | |
| 181 | CONT2P025024V | CONT, 2 POLE, 25 AMP, 24 VAC | | | |
| 191 | CONT2P025024V | CONT, 2 POLE, 25 AMP, 24 VAC | | | |
| 231 | CAP100000440LA | CAP 10 MFD/440V/OVAL (M6, M7, M8) | | | |
| 231 | CAP100000370LA | CAP, 10 MFD/370V/OVAL (M3, M4, M5) | | | |
| 231 | CAP100700440CT | CAP, 10/70 MFD/ 440V/ DUAL RD (M1, M2) | | | |
| 231 | CAP050000440LA | CAPACITOR (M9) | | | |
| 301 | PCBAG123 | PCB, IGNITION, DSI, INTEG | | | |
| 701 | 0130M00596 | TRANSFMR, 150VA, 480V TO 23 (M6, M7, M8) | | | |
| 701 | 0130M00597 | TRANSFMR, 150VA, 575V TO 230V (M9) | | | |
| NS | B821700 | BOOT, CAPACITOR (M3, M4, M5, M6, M7, M8, M9) | | | |
| NS | 0164M00079 | BOOT-CAPACITOR, ROUND (M1, M2) | | | |
| NS | 0130M00507 | MOTOR POWER HARNESS (M1, M2, M3, M4, M5) | | | |
| NS | 20520901 | STRAP-CAPACITOR | | | |
| NS | 0130M00506 | X-13 LOW VOLTAGE WIRE HARNESS (M1, M2, M3, M4, M5) | | | |

Expanded Model Nomenclature

| |
|------------------------|
| M1 - DFG0601DH00001SAA |
| M2 - DFG0601DL00001SAA |
| M3 - DFG0603DH00001SAA |
| M4 - DFG0603DL00001SAA |
| M5 - DFG0603DM00001SAA |
| M6 - DFG0604DH00001SAA |
| M7 - DFG0604DL00001SAA |
| M8 - DFG0604DM00001SAA |
| M9 - DFG0607DH00001SAA |

HEAT EXCHANGE ASSEMBLY



HEAT EXCHANGE ASSEMBLY
MAY DIFFER FROM
WHAT IS SHOWN

HEAT EXCHANGE ASSEMBLY

| Ref. Part No: | No: | Description: | Ref. Part No: | No: | Description: |
|-----------------|-------------|---|------------------------------------|-----|-------------------|
| Image 1: | | | Expanded Model Nomenclature | | |
| 11 | 20261709 | IGNITOR | M1 | - | DFG0601DH00001SAA |
| 21 | 0151F00000P | GAS VALVE - WHITE-RODGERS 2-STAGE | M2 | - | DFG0601DL00001SAA |
| 31 | 0163F00018 | ORIFICE (QTY 6) | M3 | - | DFG0603DH00001SAA |
| 41 | 0130F00010 | FLAME SENSOR (M1, M3, M5, M6, M8, M9) | M4 | - | DFG0603DL00001SAA |
| 41 | 0130M00719 | FLAME SENSOR (M2, M4, M7) | M5 | - | DFG0603DM00001SAA |
| 61 | 0163L00026 | MANIFOLD-GAS 4 BURNER (M2, M4, M7) | M6 | - | DFG0604DH00001SAA |
| 61 | 0163L00029 | MANIFOLD-GAS, 5 BURNER (M5, M8) | M7 | - | DFG0604DL00001SAA |
| 61 | 0163L00025 | MANIFOLD-GAS, 6 BURNER (M1, M3, M6, M9) | M8 | - | DFG0604DM00001SAA |
| 71 | 0163F00017 | BECKETT BURNER (QTY 6) | M9 | - | DFG0607DH00001SAA |
| 81 | 0121L01362 | BRACKET, BURNER 5 (M5, M8) | | | |
| 81 | 0121L01363 | BRACKET, BURNER 6 (M1, M3, M6, M9) | | | |
| 81 | 0121L02675 | BURNER BRACKET-4 (M2, M4, M7) | | | |
| 91 | 0131M00121 | BLOWER-ID COMBUSTION (M2, M3, M4, M5, M6, M7, M8, M9) | | | |
| 91 | 0131L00002 | VENT MOTOR (M1) | | | |
| 101 | 0270L01362 | ASSY, PANEL, PARTITION/TUBE, 4 (M2, M4, M7) | | | |
| 101 | 0270L01361 | ASSY, PANEL, PARTITION/TUBE, 5 (M5, M8) | | | |
| 101 | 0270L01360 | ASSY, PANEL, PARTITION/TUBE, 6 (M1) | | | |
| 101 | 0270L02419 | ASSY., TUBE PARTITION PANEL (M3, M6, M9) | | | |
| 111 | 10123532 | LIMIT-RESET MAN-GRAY (M1, M2, M3, M5, M6, M8, M9) | | | |
| 111 | 10123529 | LIMIT-RESET MAN-GREEN (M4, M7) | | | |
| 131 | 0121L00053 | BRACKET-FLAME ROLLOUT | | | |
| 181 | 0154L00018 | GASKET-ID BLOWER PLATE 2,4 (M2, M4, M7) | | | |
| 181 | 0154L00017 | GASKET-ID BLOWER PLATE 6 (M1, M3, M5, M6, M8, M9) | | | |
| 201 | 0121L03667 | PLATE, ID BLOWER (M5, M8) | | | |
| 201 | 0121L03745 | PLATE, ID BLOWER (M3, M6, M9) | | | |
| 201 | 0121L04453 | PLATE, ID BLOWER (M1) | | | |
| 201 | 0121L03363 | PLATE, ID BLOWER (M2) | | | |
| 201 | 0121L03365 | PLATE, ID BLOWER (M4, M7) | | | |
| 251 | 0154L00007 | GASKET-BLOWER/ORIFICE PLATE (M1, M3, M6, M9) | | | |
| 251 | 0154L00020 | GASKET-ID BLOWER (M2, M4, M5, M7, M8) | | | |
| 261 | 0121L01355 | FLUE CHANNEL (M1) | | | |
| 261 | 0121L00277 | FLUE-CHANNEL (M2, M3, M4, M5, M6, M7, M8, M9) | | | |
| 271 | 0121L01356 | FLUE SIDE COVER (M1) | | | |
| 271 | 0121L00278 | FLUE-SIDE COVER (M2, M3, M4, M5, M6, M7, M8, M9) | | | |
| 281 | 0163L00072 | SCREEEN-FLUE | | | |
| 451 | 0121L03948 | BRACKET, PRIMARY LIMIT | | | |
| 461 | 0130F00035 | LIMIT, PRIMARY (M1, M5, M8) | | | |
| 461 | 0130M00658 | LIMIT, PRIMARY (M2) | | | |
| 461 | 0130M00663 | LIMIT, PRIMARY (M3, M4, M6, M7, M9) | | | |
| 521 | 0121L03320 | BRACKET, TUBE SUPPORT | | | |
| 531 | 0121L03125 | BRACKET, TUBE (QTY 6) | | | |
| 541 | 0121L02935 | BRACKET, SUPPORT, TUBE | | | |

ACCESSORY PARTS LIST

NOTE: NOT ALL OPTIONS AVAILABLE FOR ALL PRODUCTS

FOR ACCESSORY PARTS SEE THE FOLLOWING PART MANUAL

RP-FIOPS*
RP-HXSC*

| Ref. Part No: | Part No: | Description: | Ref. Part No: | Part No: | Description: |
|---------------|----------|--------------|---------------|----------|--------------|
|---------------|----------|--------------|---------------|----------|--------------|

Image 1:

| | | |
|----|-----------|---------------------------|
| NS | RP-FIOPS* | ACCESSORY PART MANUAL |
| NS | RP-HXSC* | HEAT EXCHANGE PART MANUAL |

Expanded Model Nomenclature

- M1 - DFG0601DH00001SAA
- M2 - DFG0601DL00001SAA
- M3 - DFG0603DH00001SAA
- M4 - DFG0603DL00001SAA
- M5 - DFG0603DM00001SAA
- M6 - DFG0604DH00001SAA
- M7 - DFG0604DL00001SAA
- M8 - DFG0604DM00001SAA
- M9 - DFG0607DH00001SAA