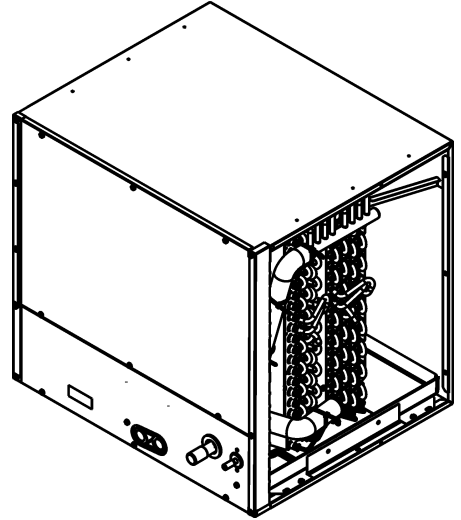


REPAIR PARTS

CHPT HORIZONTAL CASED COIL

CHPT4860D4AA



This manual is to be used by qualified technicians only.

© 2020 Goodman Manufacturing Company, L.P. ♦ 5151 San Felipe St, Suite 500 ♦ Houston, TX 77056

Important Information

Index

Functional Parts List	3
Illustration and Parts	4 - 5

Views shown are for parts illustrations only, not servicing procedures.

Text Codes:

AR - As Required

NA - Not Available

NS - Not Shown

00000000 - See Note

QTY - Quantity Example (QTY 3) (If Quantity not shown, Quantity = 1)

M - Model Example (M1) (If M Code not shown, then part is used on all Models)

Expanded Model Nomenclature:

Example M1 - Model#1 M2 - Model#2 M3 - Model#3

Goodman Manufacturing Company, L.P. is not responsible for personal injury or property damage resulting from improper service. Review all service information before beginning repairs.

Warranty service must be performed by an authorized technician, using authorized factory parts. If service is required after the warranty expires, Goodman Manufacturing Company, L.P. also recommends contacting an authorized technician and using authorized factory parts.

Goodman Manufacturing Company, L.P. reserves the right to discontinue, or change at any time, specifications or designs without notice or without incurring obligations.

For assistance within the U.S.A. contact:
Homeowner Support
Goodman Manufacturing Company, L.P.
19001 Kermier Road
Waller, Texas 77484
877-254-4729-Telephone
713-863-2382-Facsimile

For assistance outside the U.S.A. contact:
International Division
Goodman Manufacturing Company, L.P.
19001 Kermier Road
Waller, Texas 77484
713-861-2500-Telephone
713-863-2382-Facsimile

Functional Parts

Part

No:

Description:

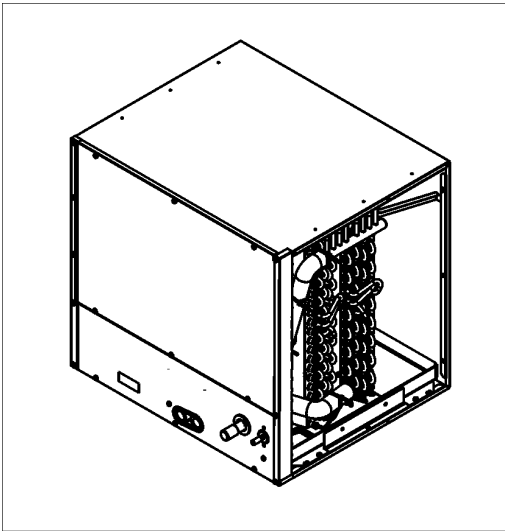
0151R00212

TXV FX 5T ADJ VALVE

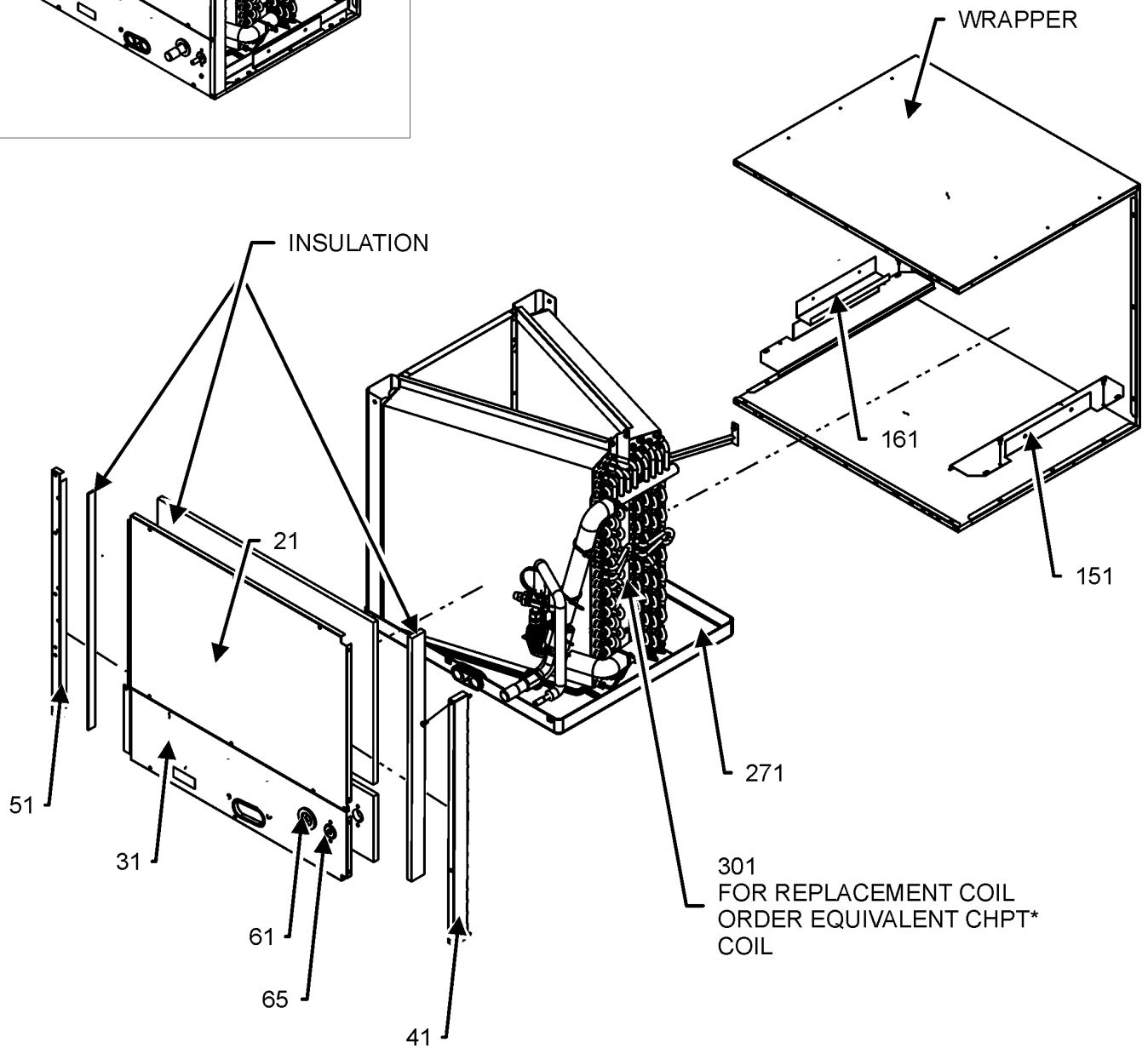
Expanded Model Nomenclature

M1 - CHPT4860D4AA

CABINET AND COIL ASSEMBLY



CABINET AND COIL ASSEMBLY



CABINET AND COIL ASSEMBLY

Ref. Part No:	No:	Description:	Ref. Part No:	No:	Description:
---------------	-----	--------------	---------------	-----	--------------

Image 1:

21	5001514PDG	DOOR LFT 24.5 X 26 PAINTED
31	5001516PDG	DOOR RT HT ACCESS
41	0121A00792PDG	RAIL TOP 24 PAINTED
51	0121A01127PDG	RAIL BOTTOM 24.5 PAINTED
61	0164A00002	GROMMET
61	B1392630	GROMMET
151	3810022D	BOTTOM RAIL BRACKET HT (QTY 2)
161	6071200	U CHANNEL BRACKET
171	0154A00000BL	GASKET DRAIN PAN
271	B1755943DF	SM & MD DRAIN PAN HT
301	CHPT4860D4	E COIL 5.0T HORZ CASED TXV
NS	0163M00175	CAP W O RING
NS	0151R00212	TXV FX 5T ADJ VALVE
NS	0151M00104	VALVE CORE

Expanded Model Nomenclature

M1 - CHPT4860D4AA

FOR REPLACEMENT COIL ORDER EQUIVALENT CHPT* COIL