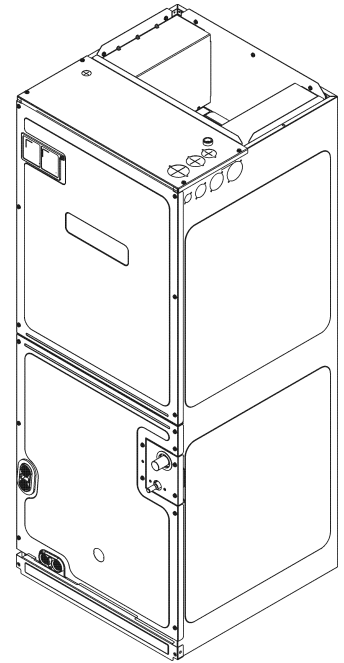


AMST Air Handler

AMST24BU1400AA
AMST30BU1400AA
AMST36BU1400AA
AMST36CU1400AA
AMST42CU1400AA
AMST48CU1400AA
AMST48DU1400AA
AMST60DU1400AA



Amana® is a registered trademark of Maytag Corporation or its related companies and is used under license. All rights reserved.

This manual is to be used by qualified technicians only.

Important Information

Index

Functional Parts List	3
Illustration and Parts	4 - 9

Views shown are for parts illustrations only, not servicing procedures.

Text Codes:

AR - As Required

NA - Not Available

NS - Not Shown

00000000 - See Note

QTY - Quantity Example (QTY 3) (If Quantity not shown, Quantity = 1)

M - Model Example (M1) (If M Code not shown, then part is used on all Models)

Expanded Model Nomenclature:

Example
M1 - Model#1
M2 - Model#2
M3 - Model#3

Goodman Company, L.P. is not responsible for personal injury or property damage resulting from improper service. Review all service information before beginning repairs.

Warranty service must be performed by an authorized technician, using authorized factory parts. If service is required after the warranty expires, Goodman Company, L.P. also recommends contacting an authorized technician and using authorized factory parts.

Goodman Company, L.P. reserves the right to discontinue, or change at any time, specifications or designs without notice or without incurring obligations.

For assistance within the U.S.A. contact:

Homeowner Support
Goodman Company, L.P.
19001 Kermier Road
Waller, Texas 77484
877-254-4729-Telephone
713-863-2382-Facsimile

For assistance outside the U.S.A. contact:

International Division
Goodman Company, L.P.
19001 Kermier Road
Waller, Texas 77484
713-861-2500-Telephone
713-863-2382-Facsimile

Functional Parts

Part

No: Description:

0131M00999	MOTOR 1 HP MOTOR PROGRAMMED (M8)
0131M00998	MOTOR 1 HP MOTOR PROGRAMMED (M7)
0131M00997	MOTOR 3/4 HP MOTOR PROGRAMMED (M6)
0131M00996	MOTOR 3/4 HP MOTOR PROGRAMMED (M5)
0131M00995	MOTOR 3/4 HP MOTOR PROGRAMMED (M4)
0131M00993	MOTOR 3/4 HP MOTOR PROGRAMMED (M2, M3)
0131M00992	MOTOR 3/4 HP MOTOR PROGRAMMED (M1)
0130M00129	RELAY, WCK (M1, M2, M3, M4, M5, M6, M7)
0130M00138	TRANSFORMER, 208/230, 24V
0151R00209	TXV-FX-2T-ADJ VALVE (M1)
0151R00210	TXV-FX-3T-ADJ VALVE (M2, M3, M4)
0151R00235	TXV-FX-5T-ADJ VALVE SET 101.5 (M7, M8)
0151R00234	TXV-FX-5T-ADJ VALVE SET105.1 (M6)
0151R00233	TXV-FX-5T-ADJ VALVE SET107 (M5)

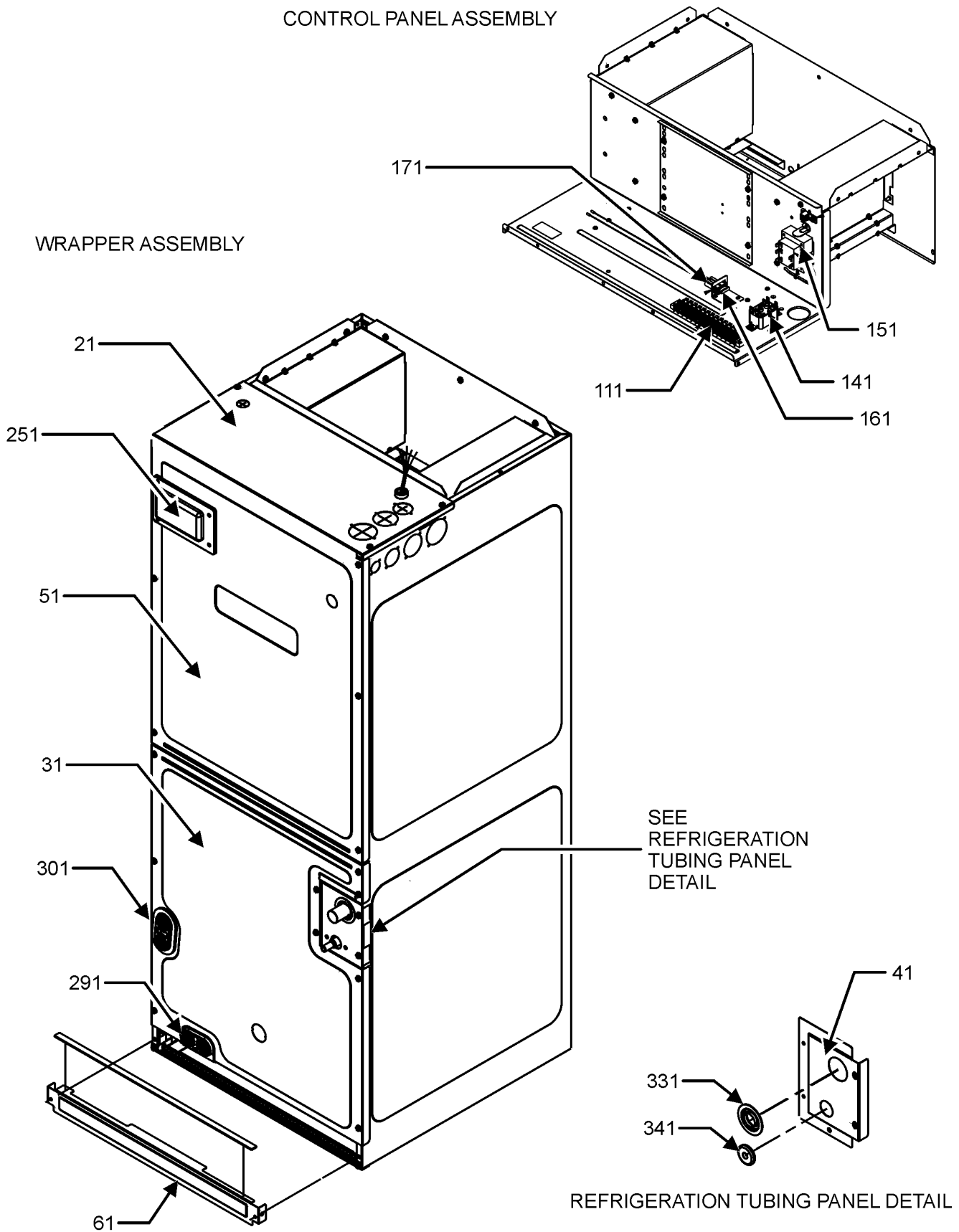
Expanded Model Nomenclature

M1 - AMST24BU1400AA
M2 - AMST30BU1400AA
M3 - AMST36BU1400AA
M4 - AMST36CU1400AA
M5 - AMST42CU1400AA
M6 - AMST48CU1400AA
M7 - AMST48DU1400AA
M8 - AMST60DU1400AA

Cabinet and Control Box Assembly

CONTROL PANEL ASSEMBLY

WRAPPER ASSEMBLY



Cabinet and Control Box Assembly

Ref. Part No:	Part No:	Description:	Ref. Part No:	Part No:	Description:
---------------	----------	--------------	---------------	----------	--------------

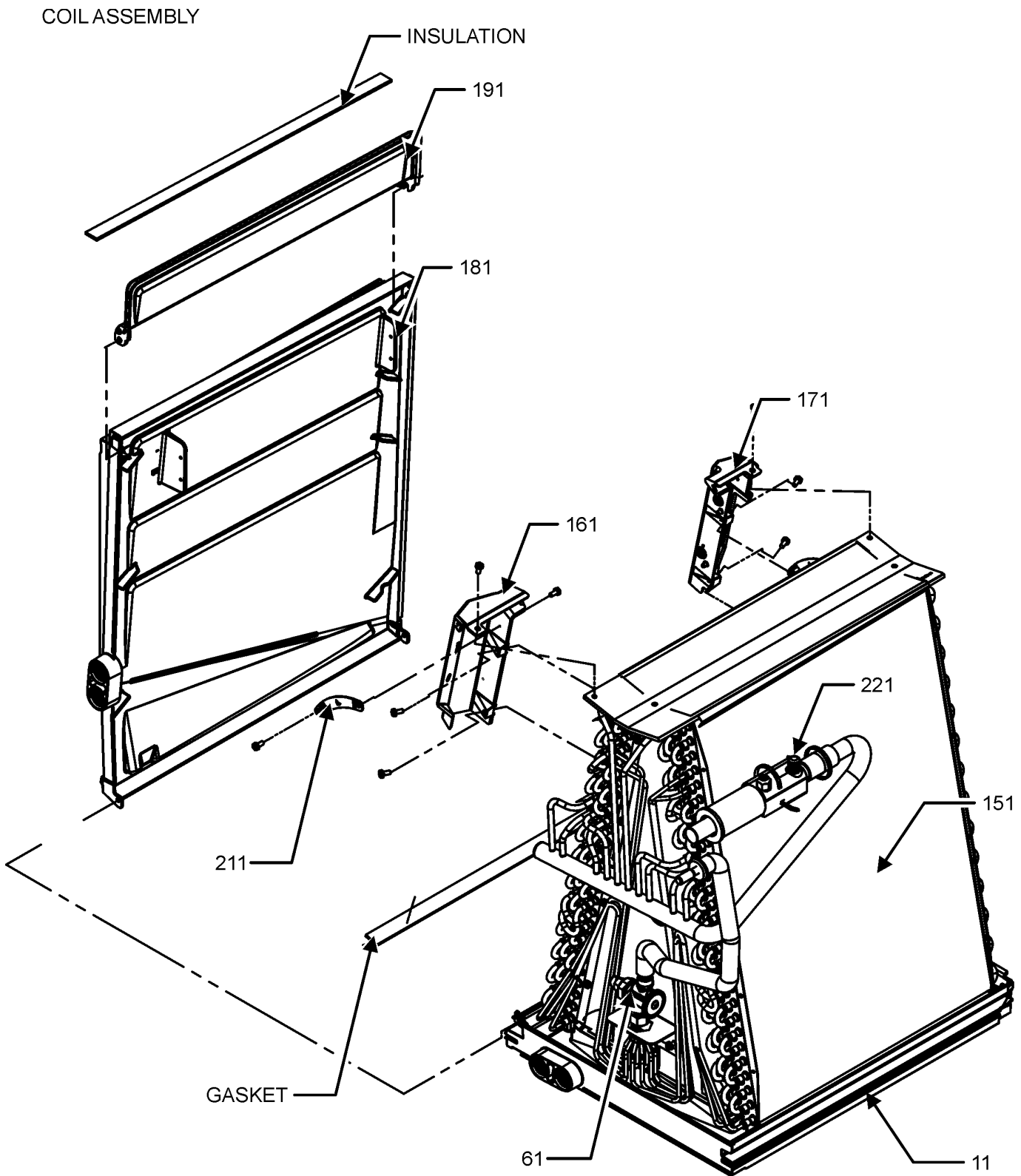
Image 1:

21	0121A01483PDG	PLATE, UPPER TIE, PAINTED (M1, M2, M3)			
21	0121A01484PDG	PLATE, UPPER TIE, PAINTED (M4, M5, M6)			
21	0121A01485PDG	PLATE, UPPER TIE, PAINTED (M7, M8)			
31	0121A00460PDG	LOWER ACCESS PANEL (M7)			
31	0121A00618PDG	LOWER ACCESS PANEL (M8)			
31	0121A01470PDG	LOWER ACCESS PANEL, PAINTED (M1)			
31	0121A01473PDG	LOWER ACCESS PANEL, PAINTED (M2, M3)			
31	0121A01474PDG	LOWER ACCESS PANEL, PAINTED (M4)			
31	0121A01477PDG	LOWER ACCESS PANEL, PAINTED (M5)			
31	0121A01478PDG	LOWER ACCESS PANEL, PAINTED (M6)			
41	0121A00658PDG	REFRIGERATION TUBING PANEL			
51	0121A00833PDG	PANEL, UPPER ACCESS (M7, M8)			
51	0121A00834PDG	PANEL, UPPER ACCESS (M5, M6)			
51	0121A00834PDG	PANEL, UPPER ACCESS (M5, M6)			
61	0121A00242PDG	Panel, Filter Access, Ptd (M1, M2, M3)			
61	0121A00243PDG	Panel, Filter Access, Ptd (M4, M5, M6)			
61	0121A00244PDG	Panel, Filter Access, Ptd (M7, M8)			
111	0130M00020	TERMINAL BOARD			
141	0130M00129	RELAY, WCK (M1, M2, M3, M4, M5, M6, M7)			
151	0130M00138	TRANSFORMER, 208/230, 24V			
161	0130M00277	FUSE HOLDER			
171	0121A00811	BRACKET			
251	0161A00073	CIRCUIT BREAKER COVER			
291	0154A00006BL	Gasket, Drain Pan (M6, M7, M8)			
291	0154A00047	GASKET, DRAIN PAN (M1, M2, M3, M4, M5)			
301	0154A00007BL	Gasket, Drain Pan			
331	B1392630	GROMMET (M2, M3, M4, M5, M6, M7, M8)			
341	0164A00002	GROMMET			
NS	0159A00004	SPIDER WIRE HARNESS (M1, M2, M3, M4, M5, M6, M7)			
NS	0159A00005	SPIDER WIRE HARNESS (M8)			
NS	0163A00026	THUMB SCREW (QTY 2)			
NS	BT1392909	WASHER; SS RETAINING (QTY 2)			
NS	0259A00012P	WIRE ASSY, 9 PIN FEMALE CONN.			
NS	0259A00015P	WIRE ASSY, 9 PIN MALE CONN.			

Expanded Model Nomenclature

M1 - AMST24BU1400AA
M2 - AMST30BU1400AA
M3 - AMST36BU1400AA
M4 - AMST36CU1400AA
M5 - AMST42CU1400AA
M6 - AMST48CU1400AA
M7 - AMST48DU1400AA
M8 - AMST60DU1400AA

Coil Assembly



COIL ASSEMBLY MAY DIFFER FROM WHAT IS SHOWN

Coil Assembly

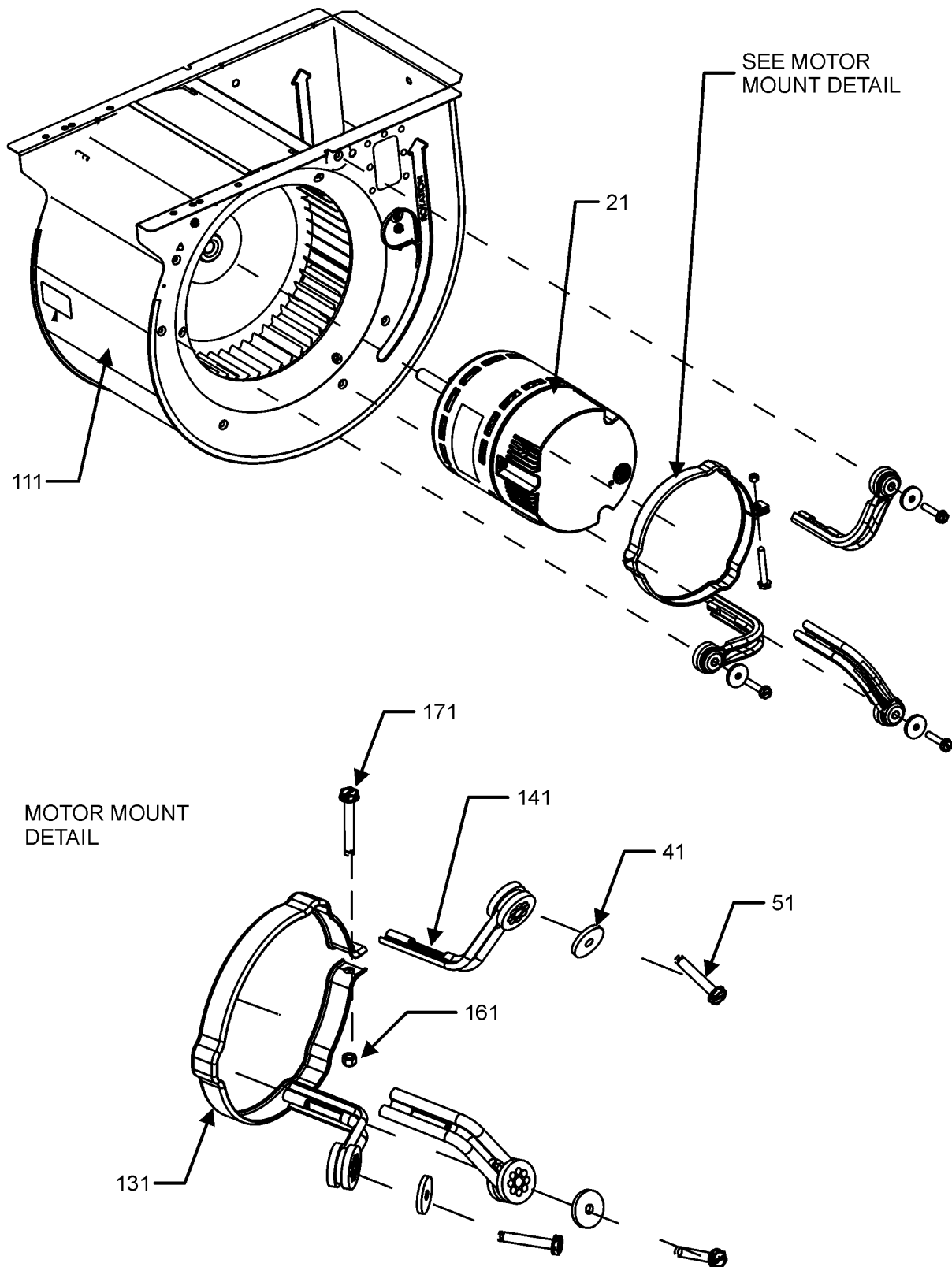
Ref. Part No:	Part No:	Description:	Ref. Part No:	Part No:	Description:
Image 1:					
11	0161A00122	DRAIN PAN MAIN, E COIL (M1, M2, M3)			
11	0161A00123	DRAIN PAN MAIN, E COIL (M4, M5)			
11	0161A00051	DRAINPAN, VERTICAL (M7, M8)			
11	0161A00052	DRAINPAN, VERTICAL (M6)			
61	0151R00209	TXV-FX-2T-ADJ VALVE (M1)			
61	0151R00210	TXV-FX-3T-ADJ VALVE (M2, M3, M4)			
61	0151R00235	TXV-FX-5T-ADJ VALVE SET 101.5 (M7, M8)			
61	0151R00234	TXV-FX-5T-ADJ VALVE SET105.1 (M6)			
61	0151R00233	TXV-FX-5T-ADJ VALVE SET107 (M5)			
151	0270A01690	COIL TUBING ASSEMBLY (M2)			
151	0270A01671	TUBING ASSY, EVAP COIL (M6)			
151	0270A01676	TUBING ASSY, EVAP COIL (M1)			
151	0270A01677	TUBING ASSY, EVAP COIL (M4)			
151	0270A01678	TUBING ASSY, EVAP COIL (M3)			
151	0270A01679	TUBING ASSY, EVAP COIL (M5)			
151	0270A01682	TUBING ASSY, EVAP COIL (M7)			
151	0270A01683	TUBING ASSY, EVAP COIL (M8)			
161	0161A00157	CONDENSATE COLLECTOR, FRONT (M1, M2, M3, M4, M5)			
161	0161A00060	CONDENSATE, COLLECT, FRONT (M6, M7, M8)			
171	0161A00158	CONDENSATE COLLECTOR, BACK (M1, M2, M3, M4, M5)			
171	0161A00061	CONDENSATE, COLLECT, BACK (M6, M7, M8)			
181	0161A00053	DRAIN PAN HORIZONTAL, TALL (M6, M7, M8)			
181	0161A00152	DRAIN PAN, SIDE (M1, M4)			
181	0161A00153	DRAIN PAN, SIDE (M2, M3, M5)			
191	0161A00155	DRAIN PAN EXT, E COIL (M2, M3, M5)			
191	0161A00156	DRAIN PAN EXT, E COIL (M4)			
191	0161A00054	DRAIN PAN, EXTENSION, SMALL (M7)			
191	0161A00056	DRAIN PAN, EXTENSION, TALL (M6, M8)			
211	0121A00633	Bracket, Drip Shield (M6)			
211	0121A00634	Bracket, Drip Shield (M7, M8)			
211	0121D00882	BRKT, 2"-C (M2, M3, M5)			
211	0121D00883	BRKT, 4"-C (M4)			
211	0121D00929	BRKT, C (M1)			
221	0163M00175	CAP WITH O-RING			
NS	BT1369063	90 DEGREE STUB			
NS	0151M00104	VALVE CORE			

Expanded Model Nomenclature

M1 - AMST24BU1400AA
M2 - AMST30BU1400AA
M3 - AMST36BU1400AA
M4 - AMST36CU1400AA
M5 - AMST42CU1400AA
M6 - AMST48CU1400AA
M7 - AMST48DU1400AA
M8 - AMST60DU1400AA

Blower Assembly

BLOWER ASSEMBLY



BLOWER ASSEMBLY MAY DIFFER FROM WHAT IS SHOWN

Blower Assembly

Ref. Part No:	Ref. Part No:	Description:	Description:
Image 1:			
21	0131M00998	MOTOR 1 HP MOTOR PROGRAMMED (M7)	
21	0131M00999	MOTOR 1 HP MOTOR PROGRAMMED (M8)	
21	0131M00992	MOTOR 3/4 HP MOTOR PROGRAMMED (M1)	
21	0131M00993	MOTOR 3/4 HP MOTOR PROGRAMMED (M2, M3)	
21	0131M00995	MOTOR 3/4 HP MOTOR PROGRAMMED (M4)	
21	0131M00996	MOTOR 3/4 HP MOTOR PROGRAMMED (M5)	
21	0131M00997	MOTOR 3/4 HP MOTOR PROGRAMMED (M6)	
41	B1392918	WASHER, FLAT 1/4 ID X 1 OD (QTY 3)	
51	M0250565	SCREW-TC 1.25" (QTY 3)	
111	0271A00206	BLOWER SHELL ASSY (M8)	
111	0271A00497	BLOWER SHELL ASSY (M1, M2, M3)	
111	0271A00498	BLOWER SHELL ASSY (M4, M5)	
111	0271A00499	BLOWER SHELL ASSY (M6, M7)	
131	0121M00039	MOTOR MOUNT BAND (HEAVY DUTY)	
141	0163M00537	MOTOR MOUNT ARM (M1, M2, M3, M4, M5, M6, M7)	
141	0163M00538	MOUNT ARM, MOTOR (M8)	
161	B1393800	LOCKNUT, NYLON, INSERT 1/4,20	
171	0163M00320	HEX HEAD ALL THREAD TAP BOLT	
NS	0163M00003P	SCREW #10 X 1/2 A SLOT SR BLK	
NS	0230M00004	X-13 LOW VOLTAGE WIRE HARNESS	
NS	0230M00002	X-13 POWER HARNESS	

Expanded Model Nomenclature

M1 - AMST24BU1400AA
M2 - AMST30BU1400AA
M3 - AMST36BU1400AA
M4 - AMST36CU1400AA
M5 - AMST42CU1400AA
M6 - AMST48CU1400AA
M7 - AMST48DU1400AA
M8 - AMST60DU1400AA