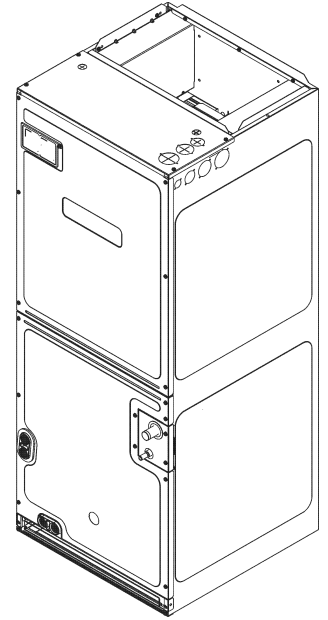


**FXTQ\*\*TAVJU\* Air Handler**

FXTQ09TAVJUAAC  
FXTQ09TAVJUDAC  
FXTQ12TAVJUAAD  
FXTQ12TAVJUDAD  
FXTQ18TAVJUAAC  
FXTQ24TAVJUAAC  
FXTQ24TAVJUDAC  
FXTQ30TAVJUAAC  
FXTQ30TAVJUDAC  
FXTQ36TAVJUAAC  
FXTQ36TAVJUDAC  
FXTQ42TAVJUAAC  
FXTQ42TAVJUAAD  
FXTQ42TAVJUDAC  
FXTQ42TAVJUDAD  
FXTQ48TAVJUAAC  
FXTQ48TAVJUAAD  
FXTQ48TAVJUDAC  
FXTQ48TAVJUDAD  
FXTQ54TAVJUAAC  
FXTQ54TAVJUAAD  
FXTQ54TAVJUDAC  
FXTQ54TAVJUDAD  
FXTQ60TAVJUAAC  
FXTQ60TAVJUAAD  
FXTQ60TAVJUDAC  
FXTQ60TAVJUDAD



This manual is to be used by qualified technicians only.

This manual replaces RP-D4340

# Important Information

---

## Index

Functional Parts List .....	3
Illustration and Parts .....	4 - 9

*Views shown are for parts illustrations only, not servicing procedures.*

### Text Codes:

AR - As Required

NA - Not Available

NS - Not Shown

00000000 - See Note

QTY - Quantity Example (QTY 3) (If Quantity not shown, Quantity = 1)

M - Model Example (M1) (If M Code not shown, then part is used on all Models)

### Expanded Model Nomenclature:

Example
M1 - Model#1
M2 - Model#2
M3 - Model#3

Daikin Manufacturing Company, L.P. is not responsible for personal injury or property damage resulting from improper service. Review all service information before beginning repairs.

Warranty service must be performed by an authorized technician, using authorized factory parts. If service is required after the warranty expires, Daikin Manufacturing Company, L.P. also recommends contacting an authorized technician and using authorized factory parts.

Daikin Manufacturing Company, L.P. reserves the right to discontinue, or change at any time, specifications or designs without notice or without incurring obligations.

For assistance within the U.S.A. contact:

Homeowner Support  
Daikin North America, LLC  
19001 Kermier Road  
Waller, Texas 77484  
855-770-5678-Telephone  
713-863-2382-Facsimile

For assistance outside the U.S.A. contact:

International Division  
Daikin North America, LLC  
19001 Kermier Road  
Waller, Texas 77484  
713-861-2500-Telephone  
713-863-2382-Facsimile

# Functional Parts

**Part No:**            **Description:**

066964J	CAPACITY ADAPTER (M1, M2)
065331J	CAPACITY ADAPTER (M3, M4)
064060J	CAPACITY ADAPTER (M5)
065336J	CAPACITY ADAPTER (M6, M7)
066965J	CAPACITY ADAPTER (M8, M9)
065337J	CAPACITY ADAPTER (M10, M11)
069706J	CAPACITY ADAPTER (M12, M13, M14, M15)
065339J	CAPACITY ADAPTER (M18, M19)
139601J	CAPACITY ADAPTER (M20, M21, M22, M23)
164625J	CAPACITY ADAPTER (M24, M25, M26, M27)
065338J	CAPACITY ADAPTER (M16, M17)
CBK2PD240VC060	CBK, 2 POLE, DUAL, 120/240V (M2, M4, M7, M9, M11, M14, M15, M18, M19, M22, M23, M26, M27)
3P381420-2	EEV COIL
0131M01011	MOTOR, 1 HP (M21, M23, M25, M27)
0131M00272	MOTOR, 1 HP, SERIAL ECM (M20, M22, M24, M26)
0131M00270	MOTOR, 1/2 HP, SERIAL ECM (M1, M2, M3, M4, M5, M6, M7, M8, M9, M10, M11)
0131M01003	MOTOR, 3/4 HP (M13, M15, M17, M19)
0131M00271	MOTOR, 3/4 HP, SERIAL ECM (M12, M14, M16, M18)
2P561243-1	PCB FAN ASSY
3S500052-1	PULSE MOTOR EXPANS EEV (M8, M9)
3S500053-1	PULSE MOTOR EXPANS EEV (M10, M11, M12, M13, M14, M15)
3S500048-1	PULSE MOTOR EXPANS EEV (M1, M2)
3S500051-1	PULSE MOTOR EXPANS EEV (M6, M7)
3S500050-1	PULSE MOTOR EXPANS EEV (M5)
3S500049-1	PULSE MOTOR EXPANS EEV (M3, M4)
3S500054-1	PULSE MOTOR EXPANS EEV (M16, M17, M18, M19, M20, M21, M22, M23, M24, M25, M26, M27)
0130A00158	TERMINAL BLOCK
4P419914-1	THERMISTOR ASSY
0130M00330	TRANSFORMER, 208/230, 24V (QTY 2)

## Expanded Model Nomenclature

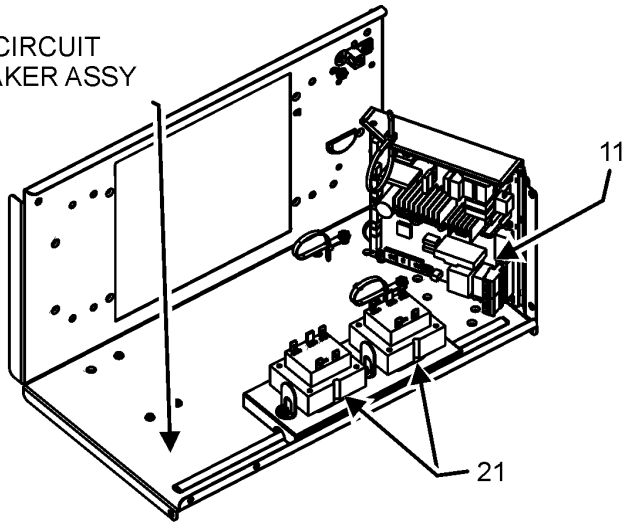
M1 - FXTQ09TAVJUAAC
M2 - FXTQ09TAVJUDAC
M3 - FXTQ12TAVJUAAD
M4 - FXTQ12TAVJUDAD
M5 - FXTQ18TAVJUAAC
M6 - FXTQ24TAVJUAAC
M7 - FXTQ24TAVJUDAC
M8 - FXTQ30TAVJUAAC
M9 - FXTQ30TAVJUDAC
M10 - FXTQ36TAVJUAAC
M11 - FXTQ36TAVJUDAC
M12 - FXTQ42TAVJUAAC
M13 - FXTQ42TAVJUAAD
M14 - FXTQ42TAVJUDAC
M15 - FXTQ42TAVJUDAD
M16 - FXTQ48TAVJUAAC
M17 - FXTQ48TAVJUAAD
M18 - FXTQ48TAVJUDAC
M19 - FXTQ48TAVJUDAD
M20 - FXTQ54TAVJUAAC
M21 - FXTQ54TAVJUAAD
M22 - FXTQ54TAVJUDAC
M23 - FXTQ54TAVJUDAD
M24 - FXTQ60TAVJUAAC
M25 - FXTQ60TAVJUAAD
M26 - FXTQ60TAVJUDAC
M27 - FXTQ60TAVJUDAD

### SPECIAL PARTS

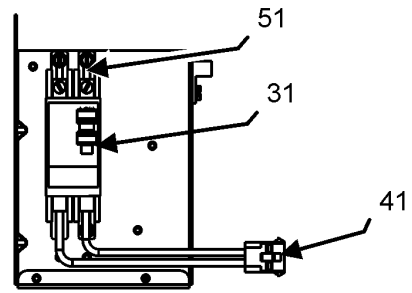
IOD-4023C	I/O MANUAL DAIKIN VRV I/D
IOD-4024	O/P MANUAL DAIKIN VRV I/D

# Wrapper and Control Box Assembly

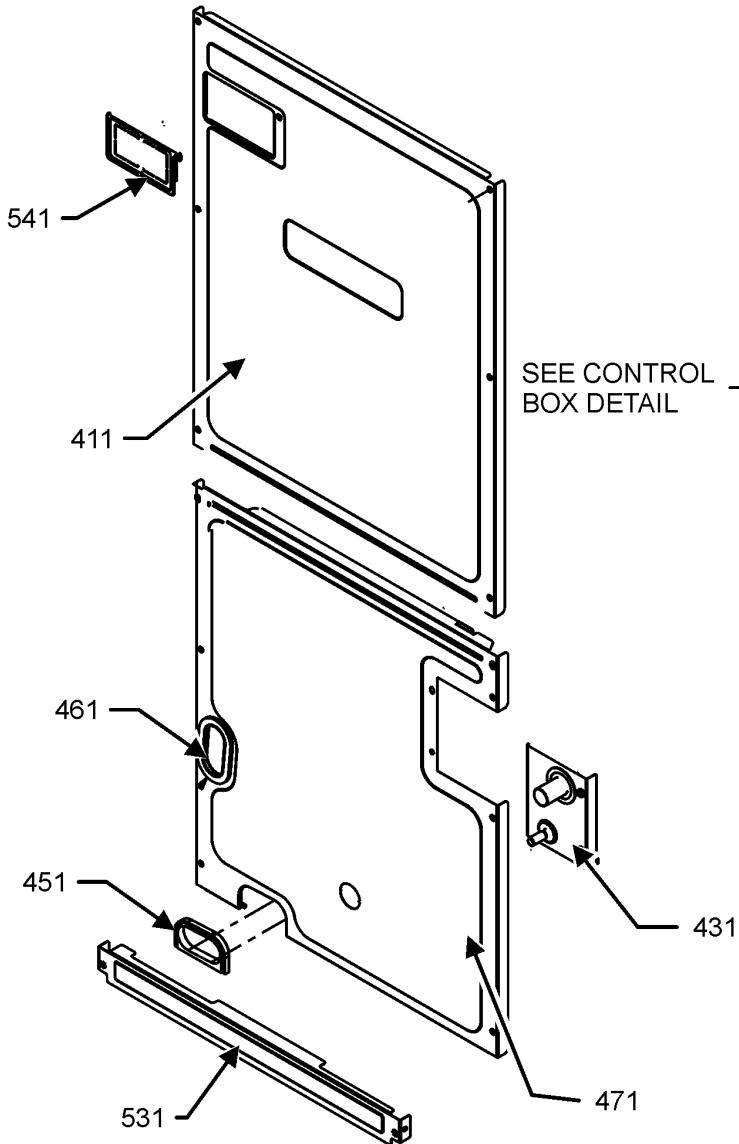
SEE CIRCUIT BREAKER ASSY



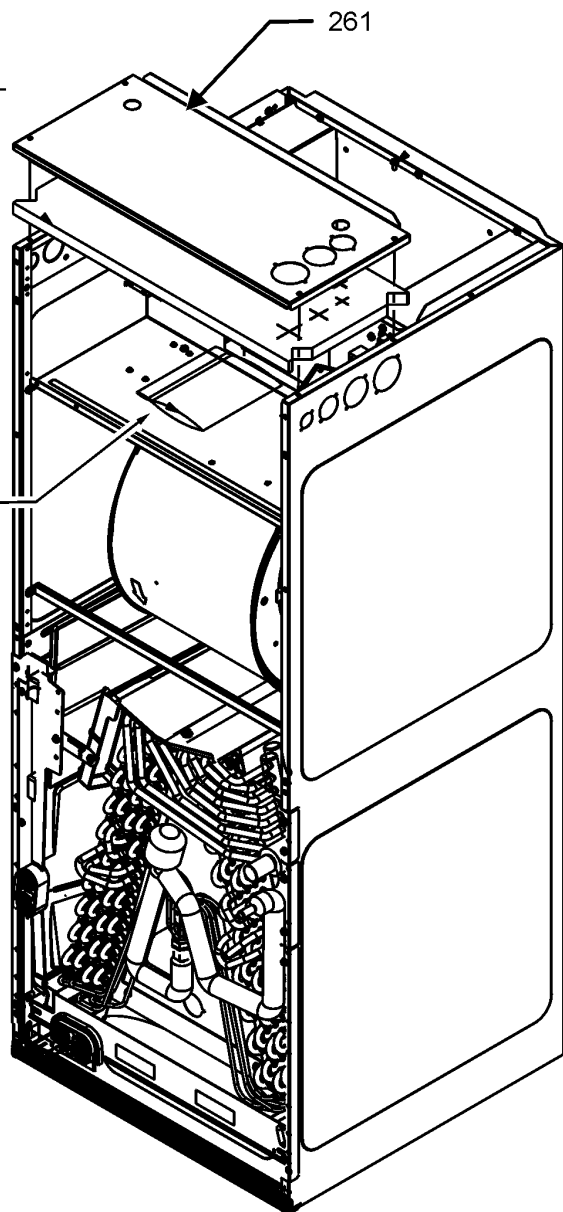
CONTROL BOX DETAIL



CIRCUIT BREAKER ASSY



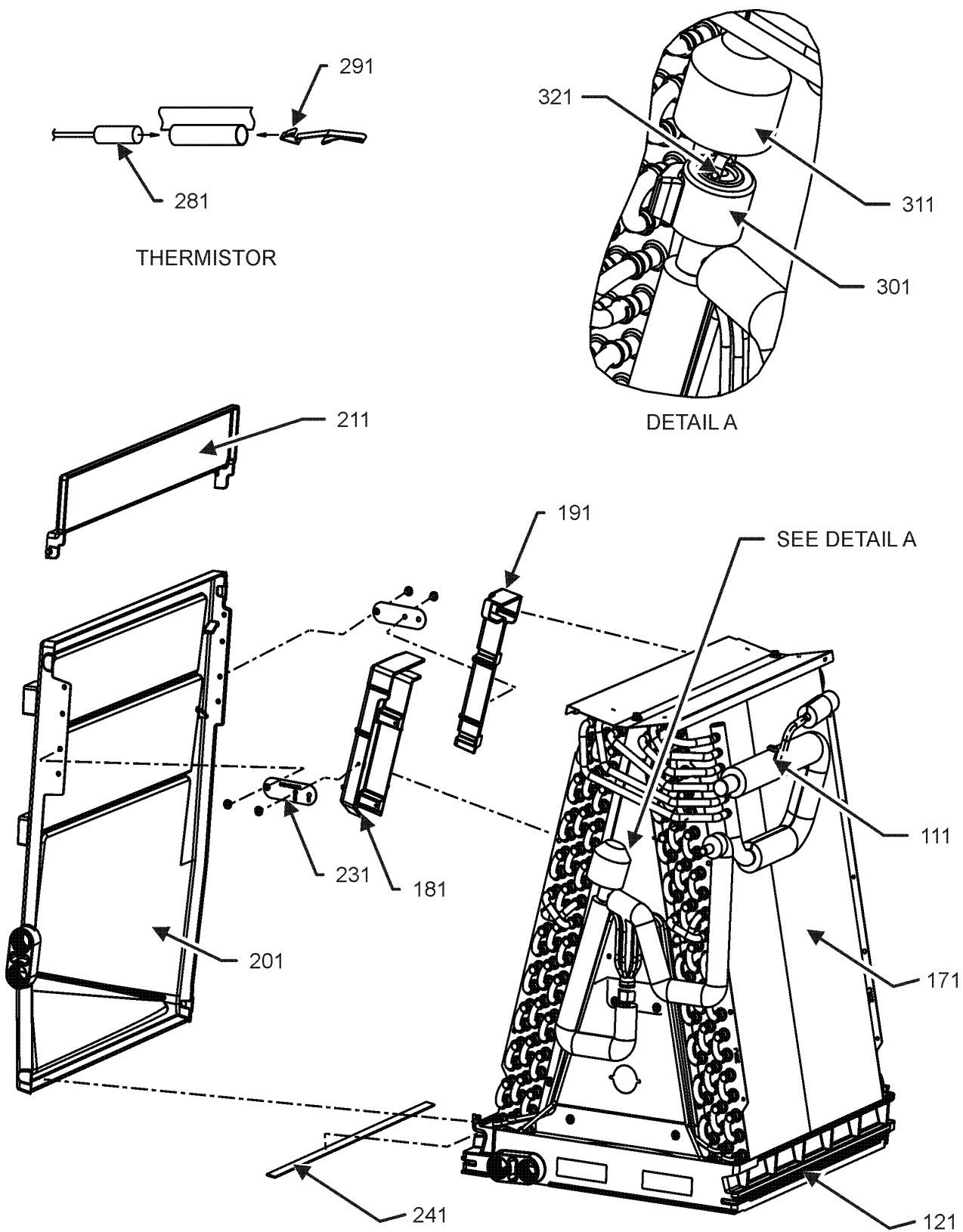
SEE CONTROL BOX DETAIL



# Wrapper and Control Box Assembly

Ref. Part No:	Ref. Part No:	Description:	Description:	
<b>Image 1:</b>		<b>Image 1:</b>		
11	2P561243-1	PCB FAN ASSY	NS M0501301	
21	0130M00330	TRANSFORMER, 208/230, 24V (QTY 2)	PIPE GROMMET (M6, M7, M8, M9, M10, M11, M12, M13, M14, M15, M16, M17, M18, M19, M20, M21, M22, M23, M24, M25, M26, M27)	
31	CBK2PD240VC060	CBK,2 POLE, DUAL,120/240V (M2, M4, M7, M9, M11, M14, M15, M18, M19, M22, M23, M26, M27)	NS M0501302	
41	0259A00032P	WIRE ASSY, 9 PIN FEMALE CONN. (M2, M4, M7, M9, M11, M14, M15, M18, M19, M22, M23, M26, M27)	NS 0163M00036	
51	0121A00400	2 POLE MOUNTING BRACKET (M2, M4, M7, M9, M11, M14, M15, M18, M19, M22, M23, M26, M27)	NS 0130A00158	
261	0121A01483PNG	PLATE, UPPER TIE (M1, M2, M3, M4, M5, M6, M7, M8, M9, M10, M11)	NS 0163A00026	
261	0121A01484PNG	PLATE, UPPER TIE (M12, M13, M14, M15, M16, M17, M18, M19)	NS BT1392909	
261	0121A01485PNG	PLATE, UPPER TIE (M20, M21, M22, M23, M24, M25, M26, M27)	NS 0259A00021	
411	0121A00833PNG	PANEL, UPPER ACCESS (M20, M21, M22, M23, M24, M25, M26, M27)	NS 0259A00033P	
411	0121A00834PNG	PANEL, UPPER ACCESS (M12, M13, M14, M15, M16, M17, M18, M19)	NS 0259A00031P	
411	0121A00835PNG	PANEL, UPPER ACCESS (M1, M2, M3, M4, M5, M6, M7, M8, M9, M10, M11)	<b>Expanded Model Nomenclature</b>	
431	0121A00658PNG	REFRIGERATION TUBING PANEL	M1 - FXTQ09TAVJUAAC	
451	0154A00006BL	GASKET, DRAIN PAN	M2 - FXTQ09TAVJUDAC	
461	0154A00007BL	GASKET, DRAIN PAN	M3 - FXTQ12TAVJUAAD	
471	0121A00461PNG	LOWER ACCESS PANEL (M12, M13, M14, M15, M16, M17, M18, M19)	M4 - FXTQ12TAVJUDAD	
471	0121A00618PNG	LOWER ACCESS PANEL (M20, M21, M22, M23, M24, M25, M26, M27)	M5 - FXTQ18TAVJUAAC	
471	0121A00620PNG	LOWER ACCESS PANEL (M1, M2, M3, M4, M5, M6, M7, M8, M9, M10, M11)	M6 - FXTQ24TAVJUAAC	
531	0121A00242PNG	Panel, Filter Access (M1, M2, M3, M4, M5, M6, M7, M8, M9, M10, M11)	M7 - FXTQ24TAVJUDAC	
531	0121A00243PNG	Panel, Filter Access (M12, M13, M14, M15, M16, M17, M18, M19)	M8 - FXTQ30TAVJUAAC	
531	0121A00244PNG	Panel, Filter Access (M20, M21, M22, M23, M24, M25, M26, M27)	M9 - FXTQ30TAVJUDAC	
541	0161A00073	CIRCUIT BREAKER COVER	M10 - FXTQ36TAVJUAAC	
NS	064060J	CAPACITY ADAPTER (M5)	M11 - FXTQ36TAVJUDAC	
NS	065331J	CAPACITY ADAPTER (M3, M4)	M12 - FXTQ42TAVJUAAC	
NS	065336J	CAPACITY ADAPTER (M6, M7)	M13 - FXTQ42TAVJUAAD	
NS	065337J	CAPACITY ADAPTER (M10, M11)	M14 - FXTQ42TAVJUDAC	
NS	065338J	CAPACITY ADAPTER (M16, M17)	M15 - FXTQ42TAVJUDAD	
NS	065339J	CAPACITY ADAPTER (M18, M19)	M16 - FXTQ48TAVJUAAC	
NS	066964J	CAPACITY ADAPTER (M1, M2)	M17 - FXTQ48TAVJUAAD	
NS	066965J	CAPACITY ADAPTER (M8, M9)	M18 - FXTQ48TAVJUDAC	
NS	069706J	CAPACITY ADAPTER (M12, M13, M14, M15)	M19 - FXTQ48TAVJUDAD	
NS	139601J	CAPACITY ADAPTER (M20, M21, M22, M23)	M20 - FXTQ54TAVJUAAC	
NS	164625J	CAPACITY ADAPTER (M24, M25, M26, M27)	M21 - FXTQ54TAVJUAAD	
NS	0164A00002	GROMMET (M6, M7, M8, M9, M10, M11, M12, M13, M14, M15, M16, M17, M18, M19, M20, M21, M22, M23, M24, M25, M26, M27)	M22 - FXTQ54TAVJUDAC	
NS	0164A00008	GROMMET (M1, M2, M3, M4, M5)	M23 - FXTQ54TAVJUDAD	
NS	IOD-4023C	I/O MANUAL DAIKIN VRV I/D	M24 - FXTQ60TAVJUAAC	
NS	IOD-4024	O/P MANUAL DAIKIN VRV I/D	M25 - FXTQ60TAVJUAAD	
			M26 - FXTQ60TAVJUDAC	
			M27 - FXTQ60TAVJUDAD	

# Coil Tubing Assembly



NOTE: COIL TUBING ASSEMBLY MAY DIFFER FROM WHAT IS SHOWN

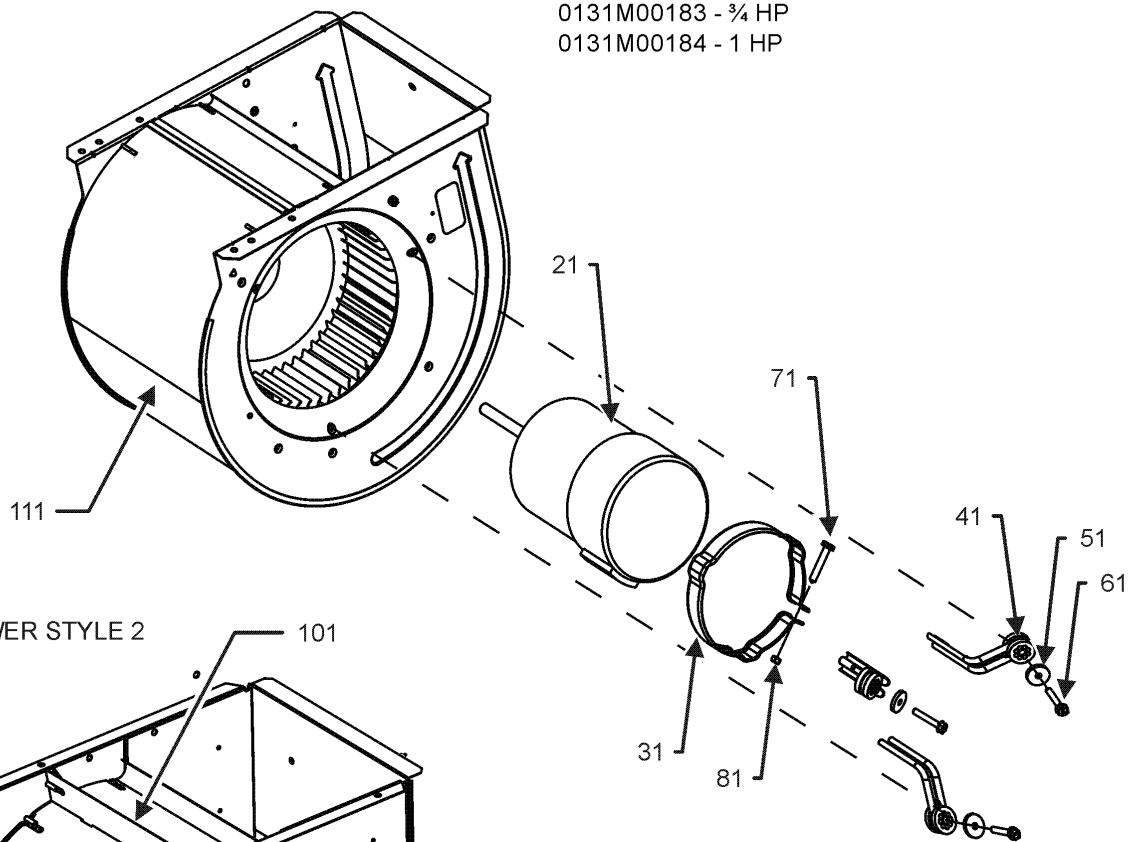
# Coil Tubing Assembly

Ref. Part No:	Ref. Part No:	Description:	Description:
<b>Image 1:</b>		<b>Expanded Model Nomenclature</b>	
111	B1787000	VALVE CORE	M1 - FXTQ09TAVJUAAC
121	0161A00049	DRAINPAN, VERTICAL (M1, M2, M3, M4, M5, M6, M7, M8, M9, M10, M11)	M2 - FXTQ09TAVJUDAC
121	0161A00051	DRAINPAN, VERTICAL (M20, M21, M22, M23, M24, M25, M26, M27)	M3 - FXTQ12TAVJUAAD
121	0161A00052	DRAINPAN, VERTICAL (M12, M13, M14, M15, M16, M17, M18, M19)	M4 - FXTQ12TAVJUDAD
171	0270A01196	COIL TUBING ASSEMBLY (M10, M11)	M5 - FXTQ18TAVJUAAC
171	0270A01197	COIL TUBING ASSEMBLY (M16, M17, M18, M19)	M6 - FXTQ24TAVJUAAC
171	0270A01156	COIL TUBING ASSY (M1, M2)	M7 - FXTQ24TAVJUDAC
171	0270A01159	COIL TUBING ASSY (M5)	M8 - FXTQ30TAVJUAAC
171	0270A01160	COIL TUBING ASSY (M6, M7)	M9 - FXTQ30TAVJUDAC
171	0270A01161	COIL TUBING ASSY (M8, M9)	M10 - FXTQ36TAVJUAAC
171	0270A01162	COIL TUBING ASSY (M12, M13, M14, M15)	M11 - FXTQ36TAVJUDAC
171	0270A01206	COIL TUBING ASSY (M20, M21, M22, M23, M24, M25, M26, M27)	M12 - FXTQ42TAVJUAAC
171	0270A01507	COIL TUBING ASSY (M3, M4)	M13 - FXTQ42TAVJUAAD
181	0161A00060	CONDENSATE, COLLECT, FRONT	M14 - FXTQ42TAVJUDAC
191	0161A00061	CONDENSATE, COLLECT, BACK	M15 - FXTQ42TAVJUDAD
201	0161A00053	DRAIN PAN HORIZONTAL, TALL (M12, M13, M14, M15, M16, M17, M18, M19, M20, M21, M22, M23, M24, M25, M26, M27)	M16 - FXTQ48TAVJUAAC
201	0161A00055	DRAIN PAN HORIZONTAL, SMALL (M1, M2, M3, M4, M5, M6, M7, M8, M9, M10, M11)	M17 - FXTQ48TAVJUAAD
211	0161A00054	DRAIN PAN, EXTENSION, SMALL (M1, M2, M3, M4, M5, M6, M7, M8, M9, M10, M11, M12, M13, M14, M15, M16, M17, M18, M19)	M18 - FXTQ48TAVJUDAC
211	0161A00056	DRAIN PAN, EXTENSION, TALL (M20, M21, M22, M23, M24, M25, M26, M27)	M19 - FXTQ48TAVJUDAD
231	0121A00357	BRACKET, DRIP SHIELD (M12, M13, M14, M15, M16, M17, M18, M19)	M20 - FXTQ54TAVJUAAC
231	0121A00358	BRACKET, DRIP SHIELD (M1, M2, M3, M4, M5)	M21 - FXTQ54TAVJUAAD
231	0121A00633	BRACKET, DRIP SHIELD (M6, M7, M8, M9, M10, M11)	M22 - FXTQ54TAVJUDAC
231	0121A00634	BRACKET, DRIP SHIELD (M20, M21, M22, M23, M24, M25, M26, M27)	M23 - FXTQ54TAVJUDAD
241	0154A00016	GASKET, PORON	M24 - FXTQ60TAVJUAAC
281	4P419914-1	THERMISTOR ASSY	M25 - FXTQ60TAVJUAAD
291	4PA38890-1	MOUNTING SPRING, THERMISTOR	M26 - FXTQ60TAVJUDAC
301	3P381420-2	EEV COIL	M27 - FXTQ60TAVJUDAD
311	4P399446-1	WATERPROOF CAP	
321	3S500048-1	PULSE MOTOR EXPANS EEV (M1, M2)	
321	3S500049-1	PULSE MOTOR EXPANS EEV (M3, M4)	
321	3S500050-1	PULSE MOTOR EXPANS EEV (M5)	
321	3S500051-1	PULSE MOTOR EXPANS EEV (M6, M7)	
321	3S500052-1	PULSE MOTOR EXPANS EEV (M8, M9)	
321	3S500053-1	PULSE MOTOR EXPANS EEV (M10, M11, M12, M13, M14, M15)	
321	3S500054-1	PULSE MOTOR EXPANS EEV (M16, M17, M18, M19, M20, M21, M22, M23, M24, M25, M26, M27)	
NS	0163M00175	CAP WITH O-RING	
NS	R3269031-7	FILTER (QTY 2)	
NS	0259A00024	WIRE HARNESS ASSY	
NS	0259A00025	WIRE HARNESS ASSY	

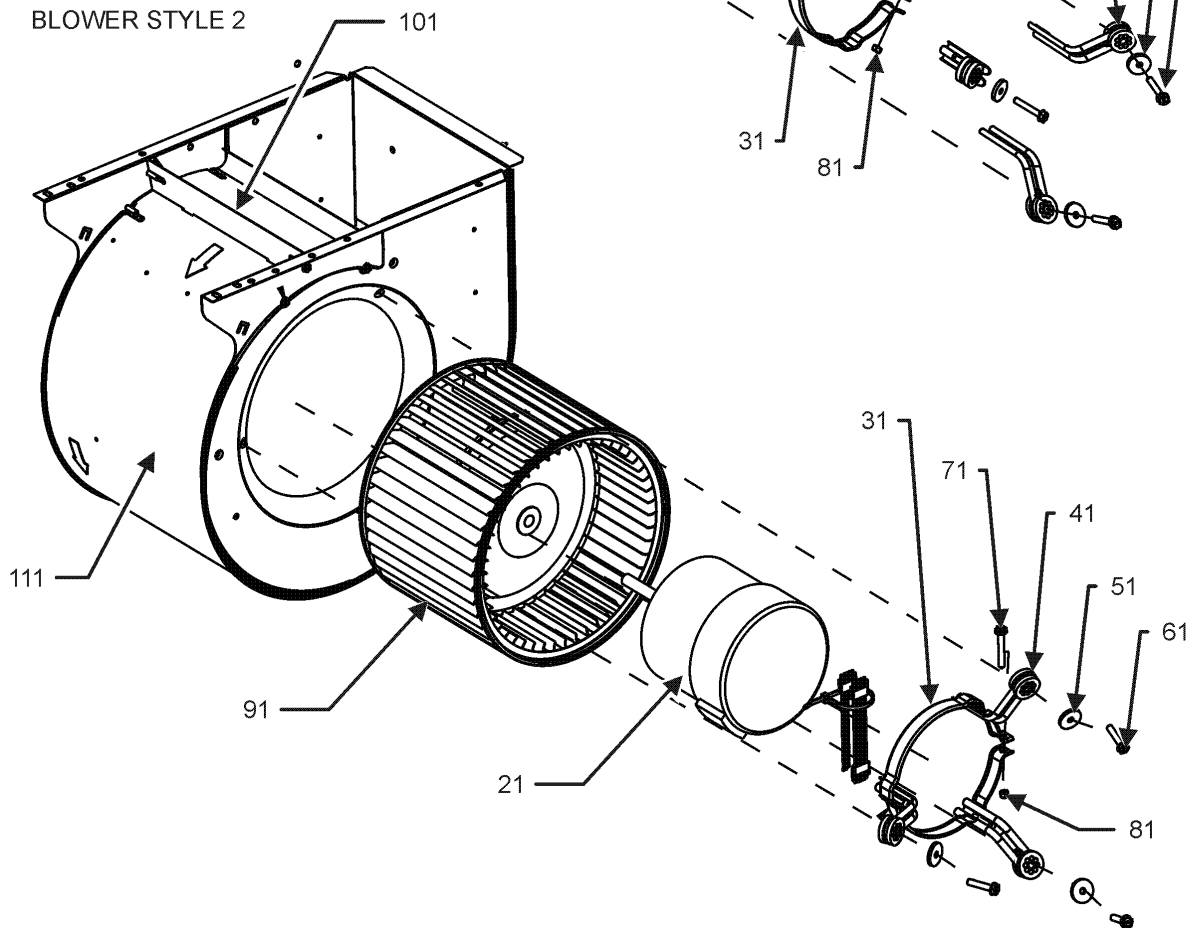
# Blower Assembly

## BLOWER STYLE 1

\*If end bells are needed please order the following:  
0131M00182 - 1/2 HP  
0131M00183 - 3/4 HP  
0131M00184 - 1 HP



## BLOWER STYLE 2



# Blower Assembly

Ref. Part No:	Ref. Part No:	Description:	Description:
<b>Image 1:</b>		<b>Expanded Model Nomenclature</b>	
21	0131M01011	MOTOR, 1 HP (M21, M23, M25, M27)	M1 - FXTQ09TAVJUAAC
21	0131M00272	MOTOR, 1 HP, SERIAL ECM (M20, M22, M24, M26)	M2 - FXTQ09TAVJUDAC
21	0131M00270	MOTOR, 1/2 HP, SERIAL ECM (M1, M2, M3, M4, M5, M6, M7, M8, M9, M10, M11)	M3 - FXTQ12TAVJUAAD
21	0131M01003	MOTOR, 3/4 HP (M13, M15, M17, M19)	M4 - FXTQ12TAVJUDAD
21	0131M00271	MOTOR, 3/4 HP, SERIAL ECM (M12, M14, M16, M18)	M5 - FXTQ18TAVJUAAC
31	0121M00038	MOUNT BAND, MOTOR (M1, M2, M3, M4, M5, M6, M7, M8, M9, M10, M11, M12, M13, M14, M15, M16, M17, M18, M19)	M6 - FXTQ24TAVJUAAC
31	0121M00039	MOUNT BAND, MOTOR (HEAVY DUTY) (M20, M21, M22, M23, M24, M25, M26, M27)	M7 - FXTQ24TAVJUDAC
41	0171M00011	MOTOR MOUNT ARM (M1, M2, M3, M4, M5, M6, M7, M8, M9, M10, M11)	M8 - FXTQ30TAVJUAAC
41	0171M00012	MOTOR MOUNT ARM (M12, M13, M14, M15, M16, M17, M18, M19)	M9 - FXTQ30TAVJUDAC
41	0163M00538	MOUNT ARM, MOTOR (M20, M21, M22, M23, M24, M25, M26, M27)	M10 - FXTQ36TAVJUAAC
51	B1392918	WASHER, FLAT 1/4 ID X 1 OD (QTY 3)	M11 - FXTQ36TAVJUDAC
61	M0250565	TC SCREW 1.25" (QTY 3)	M12 - FXTQ42TAVJUAAC
71	0163M00320	HEX HED ALL THREAD TAP BOLT	M13 - FXTQ42TAVJUAAD
81	B1393800	LOCKNUT, NYLON, INSERT 1/4,20	M14 - FXTQ42TAVJUDAC
91	B1368058	BLOWER WHEEL 10X8 (M12, M13, M14, M15, M16, M17, M18, M19)	M15 - FXTQ42TAVJUDAD
101	764740	BLOWER BLOCK-OFF 10 X 8 (M12, M13, M14, M15, M16, M17, M18, M19)	M16 - FXTQ48TAVJUAAC
111	0271A00029	BLOWER HOUSING ASSY 10 X 8 (M12, M13, M14, M15, M16, M17, M18, M19)	M17 - FXTQ48TAVJUAAD
111	0271A00206	BLOWER SHELL ASSY (M20, M21, M22, M23, M24, M25, M26, M27)	M18 - FXTQ48TAVJUDAC
111	0271A00299	BLOWER SHELL ASSY 9X6, MORRISON (M1, M2, M3, M4, M5, M6, M7, M8, M9, M10, M11)	M19 - FXTQ48TAVJUDAD
NS	0259M00008	WIRE HARNESS	M20 - FXTQ54TAVJUAAC
			M21 - FXTQ54TAVJUAAD
			M22 - FXTQ54TAVJUDAC
			M23 - FXTQ54TAVJUDAD
			M24 - FXTQ60TAVJUAAC
			M25 - FXTQ60TAVJUAAD
			M26 - FXTQ60TAVJUDAC
			M27 - FXTQ60TAVJUDAD