

# REPAIR PARTS

---

## CAPFA Indoor Cased Coil

CAPFA1714A6AA  
CAPFA1714B6AA  
CAPFA1818A6BA  
CAPFA1818B6BA  
CAPFA1818C6AA  
CAPFA1818C6BA  
CAPFA2318A6AA  
CAPFA2318B6AA  
CAPFA2318C6AA  
CAPFA2418A6AA  
CAPFA2418B6AA  
CAPFA2418C6AA  
CAPFA2422A6AA  
CAPFA2422B6AA  
CAPFA2422C6AA  
CAPFA3022A6AA  
CAPFA3022B6AA  
CAPFA3022C6AA  
CAPFA3022D6AA  
CAPFA3626B6AA  
CAPFA3626C6AA  
CAPFA3626D6AA



This manual is to be used by qualified technicians only.

This manual replaces RP-4328C.

© 2018 - 2019 Goodman Manufacturing Company, L.P. ♦ 5151 San Felipe St, Suite 500 ♦ Houston, TX 77056

# Important Information

---

## Index

Functional Parts List .....	3
Illustration and Parts .....	4 - 5

*Views shown are for parts illustrations only, not servicing procedures*

### Text Codes:

AR - As Required

NA - Not Available

NS - Not Shown

00000000 - See Note

QTY - Quantity Example (QTY 3) (If Quantity not shown, Quantity = 1)

M - Model Example (M1) (If M Code not shown, then part is used on all Models)

### Expanded Model Nomenclature:

Example M1 - Model#1 M2 - Model#2 M3 - Model#3
---

Goodman Manufacturing Company, L.P. is not responsible for personal injury or property damage resulting from improper service. Review all service information before beginning repairs.

Warranty service must be performed by an authorized technician, using authorized factory parts. If service is required after the warranty expires, Goodman Manufacturing Company, L.P. also recommends contacting an authorized technician and using authorized factory parts.

Goodman Manufacturing Company, L.P. reserves the right to discontinue, or change at any time, specifications or designs without notice or without incurring obligations.

For assistance within the U.S.A. contact:  
Homeowner Support  
Goodman Manufacturing Company, L.P.  
19001 Kermier Road  
Waller, Texas 77484  
877-254-4729-Telephone  
713-863-2382-Facsimile

For assistance outside the U.S.A. contact:  
International Division  
Goodman Manufacturing Company, L.P.  
19001 Kermier Road  
Waller, Texas 77484  
713-861-2500-Telephone  
713-863-2382-Facsimile

# Functional Parts

**Part  
No:**            **Description:**

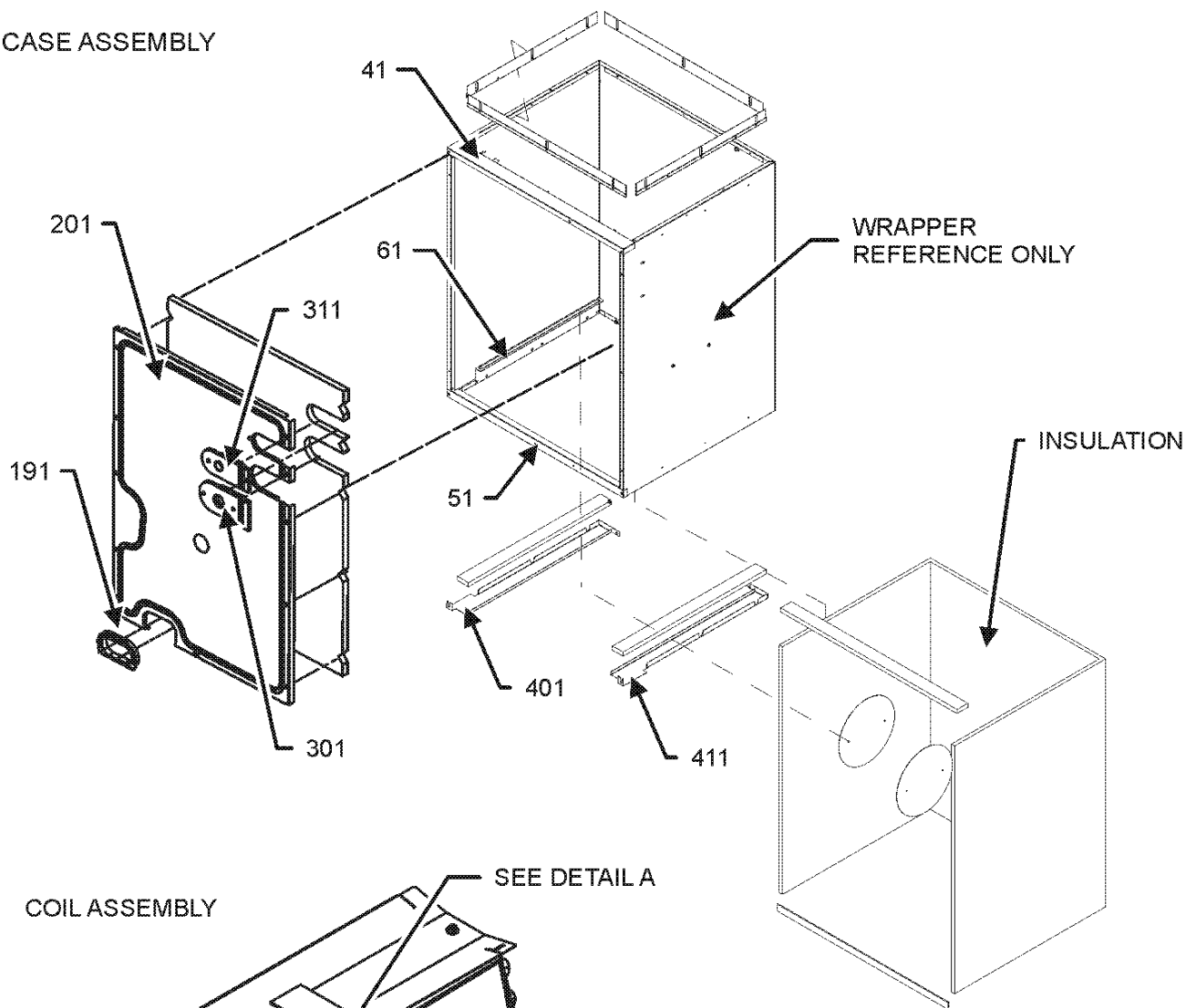
---

## SPECIAL PARTS

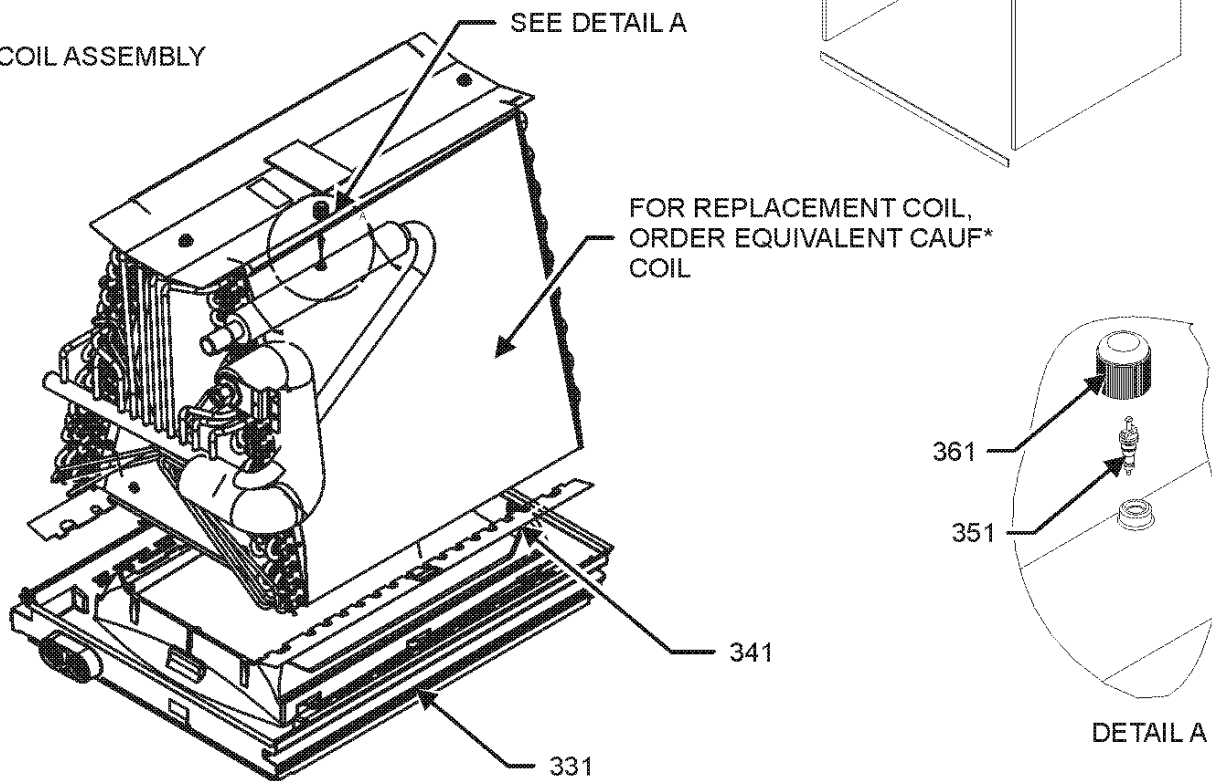
BT1369063	90 DEGREE STUB
B1373311	ACCESS VALVE FITTING
TP-109B	AL COIL-APPROVED CLEANING LIST
PKCG-4001Y	PISTON KIT CHART

# CABINET AND COIL ASSEMBLY

## CASE ASSEMBLY



## COIL ASSEMBLY



# CABINET AND COIL ASSEMBLY

Ref. Part No: No:	Description:	Ref. Part No: No:	Description:		
<b>Image 1:</b>		<b>Image 1:</b>			
41	0121D00304PDG RAIL TOP, CASED E COIL,PAINTED (M1, M3, M7, M10, M13, M16)	NS	B1373311 ACCESS VALVE FITTING		
41	0121D00305PDG RAIL TOP, CASED E COIL,PAINTED (M2, M4, M8, M11, M14, M17, M20)	NS	TP-109B AL COIL-APPROVED CLEANING LIST		
41	0121D00306PDG RAIL TOP, CASED E COIL,PAINTED (M5, M6, M9, M12, M15, M18, M21)	NS	5001213 FLANGE FRONT-REAR MED (M2, M4, M8, M11, M14, M17, M20)		
41	0121D00307PDG RAIL TOP, CASED E COIL,PAINTED (M19, M22)	NS	5001212 FLANGE FRONT-REAR SM (M1, M3, M7, M10, M13, M16)		
51	0121D00502PDG RAIL BOTTOM,CASED COIL,PAINTED (M1, M3, M7, M10, M13, M16)	NS	5001215 FLANGE FRONT-REAR XLG (M19, M22)		
51	0121D00503PDG RAIL BOTTOM,CASED COIL,PAINTED (M2, M4, M8, M11, M14, M17, M20)	NS	5001211 FLANGE SIDE (QTY 2)		
51	0121D00504PDG RAIL BOTTOM,CASED COIL,PAINTED (M5, M6, M9, M12, M15, M18, M21)	NS	PKCG-4001Y PISTON KIT CHART		
51	0121D00505PDG RAIL BOTTOM,CASED COIL,PAINTED (M19, M22)	NS	B1393530 SCREW, HWH, 10X1/2A,YZD,SLOT SR (QTY 3)		
61	0121D00264 RAIL DRAIN PAN, CASED COIL (QTY 2)	<b>Expanded Model Nomenclature</b>			
191	0154A00047 GASKET, DRAIN PAN	<div style="border: 1px solid black; padding: 5px;"> M1 - CAPFA1714A6AA  M2 - CAPFA1714B6AA  M3 - CAPFA1818A6BA  M4 - CAPFA1818B6BA  M5 - CAPFA1818C6AA  M6 - CAPFA1818C6BA  M7 - CAPFA2318A6AA  M8 - CAPFA2318B6AA  M9 - CAPFA2318C6AA  M10 - CAPFA2418A6AA  M11 - CAPFA2418B6AA  M12 - CAPFA2418C6AA  M13 - CAPFA2422A6AA  M14 - CAPFA2422B6AA  M15 - CAPFA2422C6AA  M16 - CAPFA3022A6AA  M17 - CAPFA3022B6AA  M18 - CAPFA3022C6AA  M19 - CAPFA3022D6AA  M20 - CAPFA3626B6AA  M21 - CAPFA3626C6AA  M22 - CAPFA3626D6AA </div>			
201	0121D00539PDG PNL ACCESS PNT, CASED E COIL (M3, M7, M10)				
201	0121D00540PDG PNL ACCESS PNT, CASED E COIL (M4, M8, M11)				
201	0121D00541PDG PNL ACCESS PNT, CASED E COIL (M5, M6, M9, M12)				
201	0121D00565PDG PNL ACCESS PNT, CASED E COIL (M1)				
201	0121D00566PDG PNL ACCESS PNT, CASED E COIL (M2)				
201	0121D00717PDG PNL ACCESS PNT, CASED E COIL (M13, M16)				
201	0121D00543PDG PNL ACCESS, PAINTED (M15, M18)				
201	0121D00544PDG PNL ACCESS, PAINTED (M19)				
201	0121D00545PDG PNL ACCESS, PAINTED (M14, M17)				
201	0121D00548PDG PNL ACCESS, PAINTED (M20)				
201	0121D00597PDG PNL ACCESS, PAINTED (M21)				
201	0121D00600PDG PNL ACCESS, PAINTED (M22)				
301	0154D00004 GROMMET, LIQUID (M1, M2, M3, M4, M5, M6, M7, M8, M9, M10, M11, M12, M13, M14, M15, M16, M17, M18, M19, M20)				
301	0154D00013 GROMMET, LIQUID (M21, M22)				
311	0154D00005 GROMMET, SUC TION (M1, M2, M3, M4, M5, M6, M7, M8, M9, M10, M11, M12, M13, M14, M15, M16, M17, M18, M19)				
311	0154D00014 GROMMET, SUC TION (M20, M21, M22)				
331	0161D00048 DRAIN PAN MAIN, E COIL (M1, M3, M7, M10, M13, M16)			FOR REPLACEMENT COIL, ORDER EQUIVALENT CAUF* COIL.	
331	0161D00049 DRAIN PAN MAIN, E COIL (M2, M4, M8, M11, M14, M17, M20)				
331	0161D00050 DRAIN PAN MAIN, E COIL (M5, M6, M9, M12, M15, M18, M21)				
331	0161D00051 DRAIN PAN MAIN, E COIL (M19, M22)				
341	0121D00497 BLOCKOFF DOWNFLOW (QTY 2)				
351	B1787000 VALVE CORE				
361	0163M00175 CAP W/O-RING				
401	5001010 PLATE, LEFT BLOCK OFF (M2, M4, M5, M6, M8, M9, M11, M12, M14, M15, M17, M18, M19, M20, M21, M22)				
411	5001011 PLATE, RIGHT BLOCK OFF (M2, M4, M5, M6, M8, M9, M11, M12, M14, M15, M17, M18, M19, M20, M21, M22)				
NS	BT1369063 90 DEGREE STUB				