



REPAIR PARTS

GSZ14 Remote Heat Pump

GSZ140181LA



This manual is to be used by qualified technicians only.

© 2019 Goodman Manufacturing Company, L.P. ♦ 5151 San Felipe St, Suite 500 ♦ Houston, TX 77056

Important Information

Index

Functional Parts List	3
Illustration and Parts	4 - 9

Views shown are for parts illustrations only, not servicing procedures

Text Codes:

AR - As Required

NA - Not Available

NS - Not Shown

00000000 - See Note

QTY - Quantity Example (QTY 3) (If Quantity not shown, Quantity = 1)

M - Model Example (M1) (If M Code not shown, then part is used on all Models)

Expanded Model Nomenclature:

Example M1 - Model#1 M2 - Model#2 M3 - Model#3

Goodman Manufacturing Company, L.P. is not responsible for personal injury or property damage resulting from improper service. Review all service information before beginning repairs.

Warranty service must be performed by an authorized technician, using authorized factory parts. If service is required after the warranty expires, Goodman Manufacturing Company, L.P. also recommends contacting an authorized technician and using authorized factory parts.

Goodman Manufacturing Company, L.P. reserves the right to discontinue, or change at any time, specifications or designs without notice or without incurring obligations.

For assistance within the U.S.A. contact:

Homeowner Support

Goodman Manufacturing Company, L.P.

19001 Kermier Road

Waller, Texas 77484

877-254-4729-Telephone

713-863-2382-Facsimile

For assistance outside the U.S.A. contact:

International Division

Goodman Manufacturing Company, L.P.

19001 Kermier Road

Waller, Texas 77484

713-861-2500-Telephone

713-863-2382-Facsimile

Functional Parts

Part

No: **Description:**

50N382YV-ZAKQ	1.5T RECHI COMPRESSOR (4-LEGS)
0151R00079	BASE VALVE 3/4"
0151R00167	BASE VALVE 3/8"
CAP050350440CS	CAPACITOR 5/35/440V
CONT1P025024V	CONTACTOR 25 AMP, 1P, 24V
0130M00250	CONTROL, DEFROST
PCBDM133	DEFROST CONTROL BOARD
0130M00106	DISC THERMOSTAT(CRNKCS HTR SW)
0150M00008	FAN BLADE 22" TNT2203-25
0163R00006	HEATER, CRANKCASE 230V, 40W
0130M00089	HIGH PRESSURE SWITCH
0130M00088	LOW PRESSURE SWITCH
0131M00753	MOTOR, 1/6HP, 1SP, 8PL, AL
0151R00068	REVERSING VALVE
B1225022	SOLENOID COIL

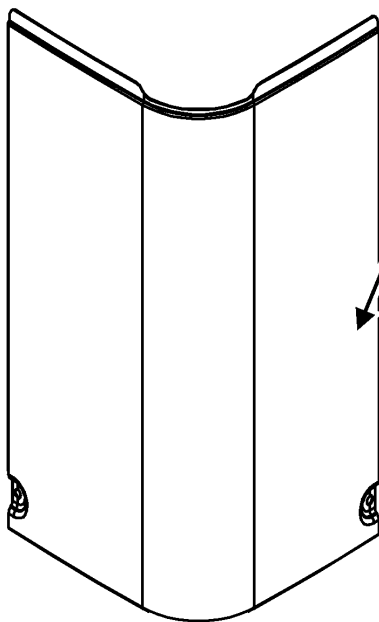
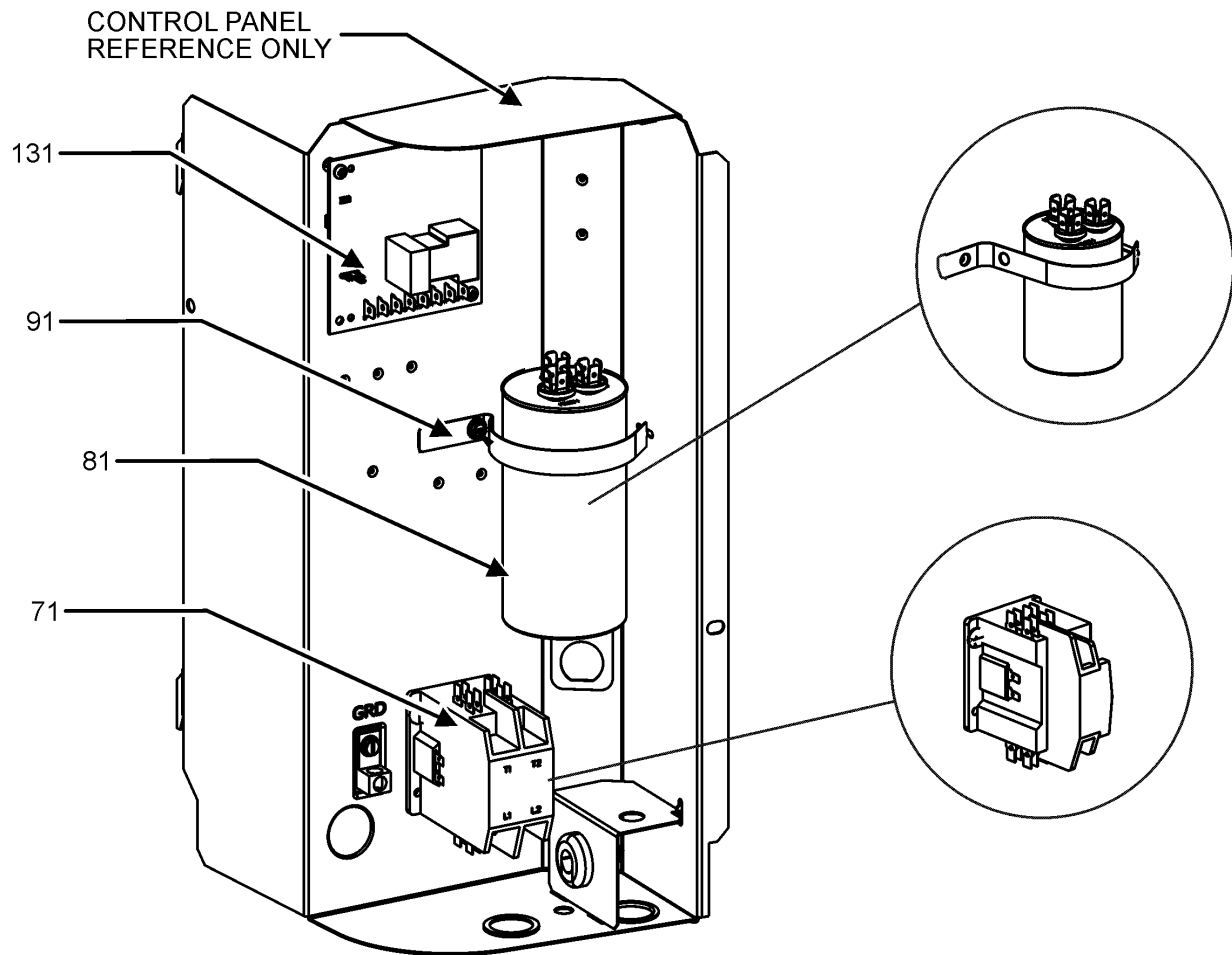
SPECIAL PARTS

0161R00092 NAMEPLATE, GOODMAN

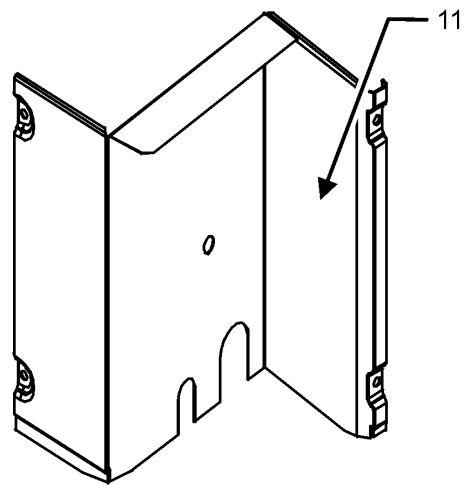
Expanded Model Nomenclature

M1 - GSZ140181LA

Control Box Assembly



UPPER ACCESS PANEL



LOWER ACCESS PANEL

Control Box Assembly

Ref. Part

No: No:

Description:

Ref. Part

No: No:

Description:

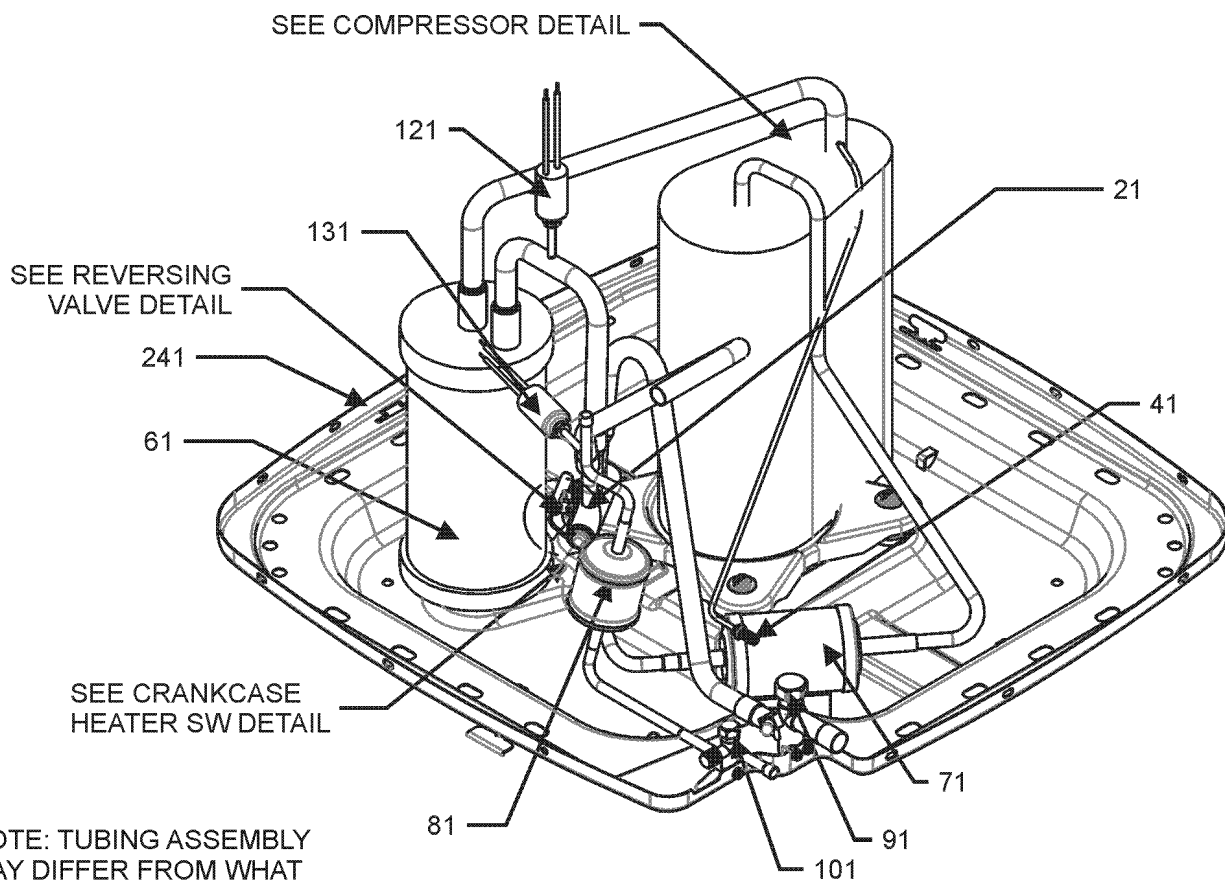
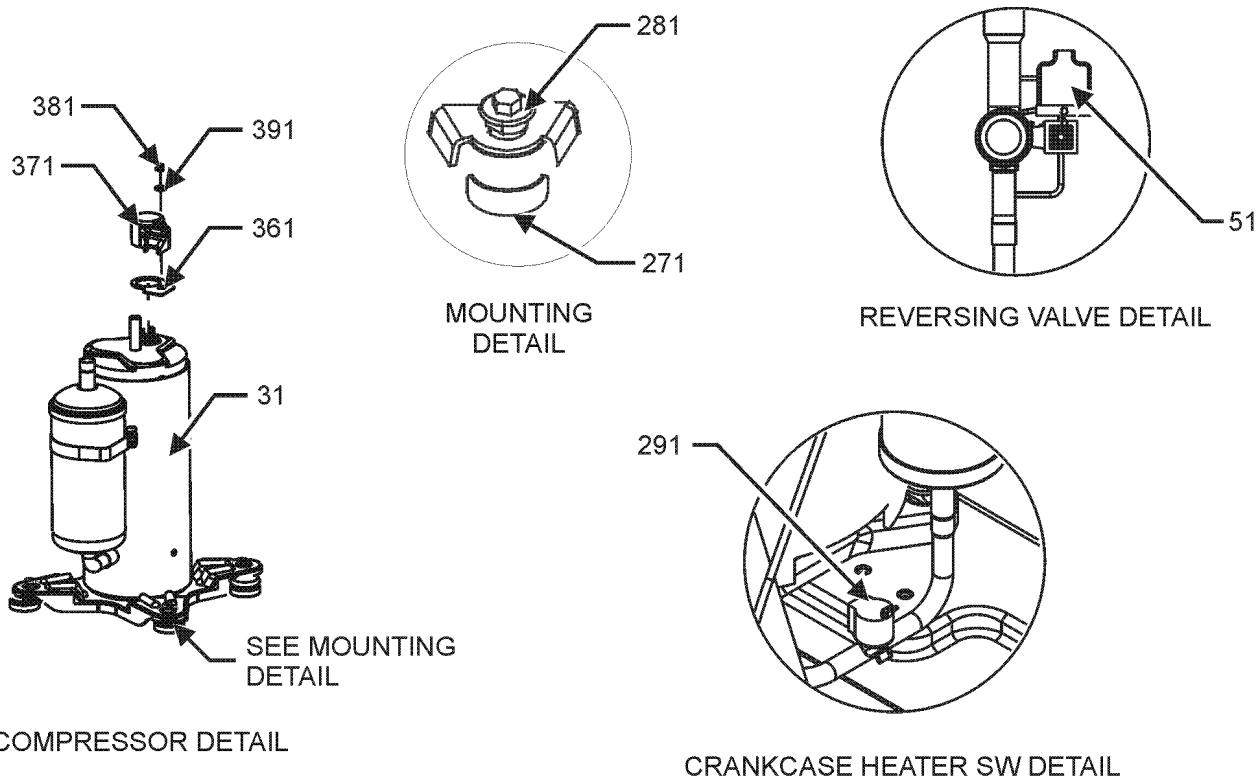
Image 1:

11	0121R00625PDG	PANEL, LOWER ACCESS PNT
21	0121R00053PDG	CONTROL COVER
71	CONT1P025024V	CONTACTOR 25 AMP, 1P, 24V
81	CAP050350440CS	CAPACITOR 5/35/440V
91	4400065	CAPACITOR STRAP
131	PCBDM133	DEFROST CONTROL BOARD
NS	0161R00092	NAMEPLATE, GOODMAN

Expanded Model Nomenclature

M1 - GSZ140181LA

Compressor and Tubing Assembly



NOTE: TUBING ASSEMBLY
MAY DIFFER FROM WHAT
IS SHOWN

Compressor and Tubing Assembly

Ref. Part No:	No:	Description:	Ref. Part No:	No:	Description:
---------------	-----	--------------	---------------	-----	--------------

Image 1:

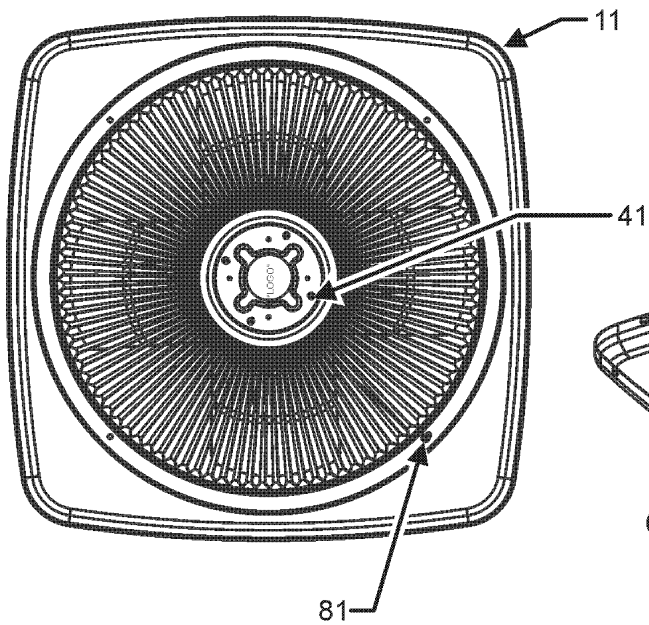
21	0151R00068	REVERSING VALVE			
31	50N382YV-ZAKQ	1.5T RECHI COMPRESSOR (4-LEGS)			
41	0163M00175	CAP WITH O-RING			
51	0130M00410	REVERSING VALVE HARNESS			
61	B1226207	ACCUMULATOR .875			
71	0162R00007	MUFFLER 1/2 X 1/2			
81	20485201	BI-FLOW FILTER DRIER			
91	0151R00079	BASE VALVE 3/4"			
101	0151R00167	BASE VALVE 3/8"			
121	0130M00088	LOW PRESSURE SWITCH			
131	0130M00089	HIGH PRESSURE SWITCH			
241	0121R00006PDG	BASE PAN 29"			
261	0163R00006	HEATER, CRANKCASE 230V, 40W			
271	60140209	GROMMET - RECHI COMPRESSOR (QTY 4)			
281	0163M00186	SCREW-SHOULDER TF (QTY 4)			
291	0130M00106	DISC THERMOSTAT(CRNKCS HTR SW)			
361	60100107	TERMINAL COVER GASKET			
371	60100317	TERMINAL COVER			
381	60100401	TERMINAL NUT - RECHI COMP			
391	60100201	WASHER - RECHI COMPRESSOR			
NS	B1225022	SOLENOID COIL			
NS	B1787000	VALVE CORE			

Expanded Model Nomenclature

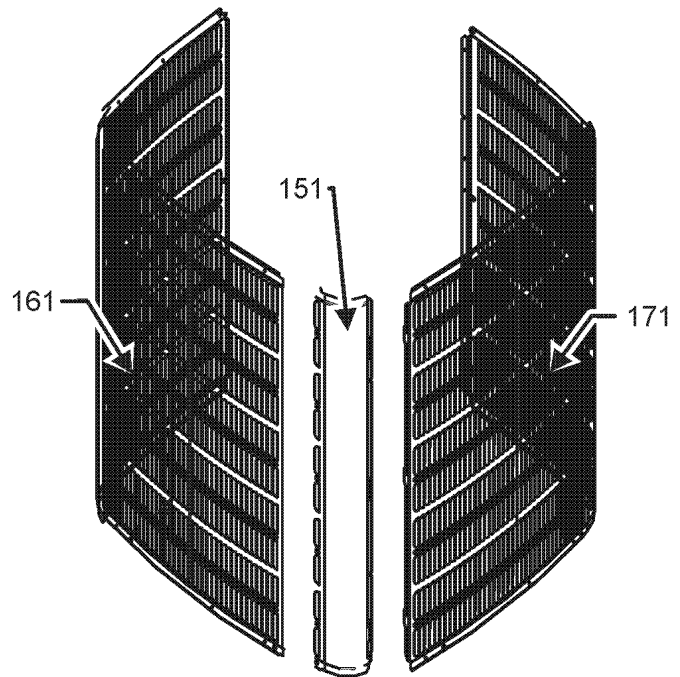
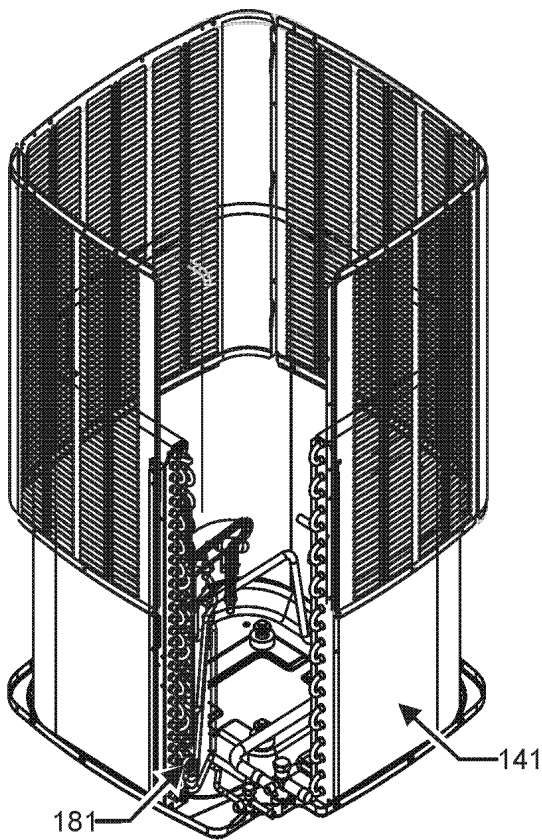
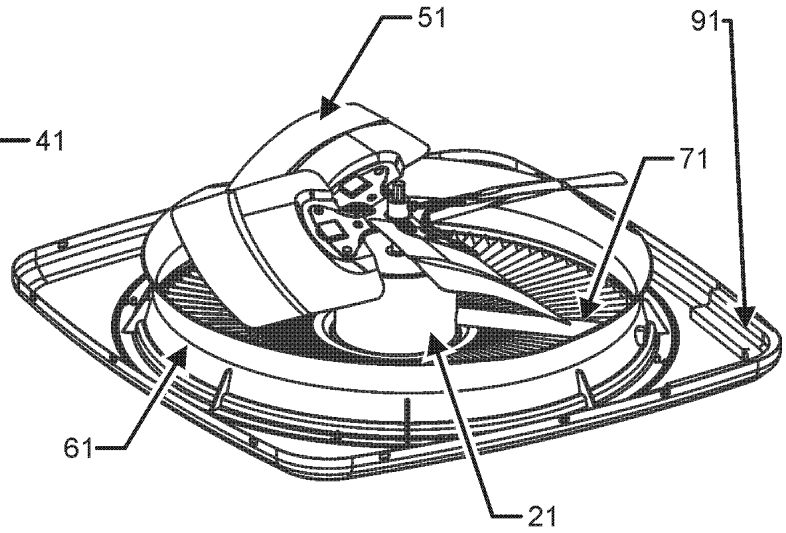
M1 - GSZ140181LA

Top Panel and Louver Panel Assembly

TOP PANEL ASSEMBLY
TOP VIEW



TOP PANEL ASSEMBLY
BOTTOM VIEW



LOUVER PANEL ASSEMBLY

Top Panel and Louver Panel Assembly

Ref. Part No:	No:	Description:	Ref. Part No:	No:	Description:
---------------	-----	--------------	---------------	-----	--------------

Image 1:

11	0121R00010PDG	TOP PANEL 29"
21	0131M00753	MOTOR, 1/6HP, 1SP, 8PL, AL
41	0163M00006P	ACORN NUT 5/16 HEX BLACK (QTY 4)
51	0150M00008	FAN BLADE 22" TNT2203-25
61	0161R00048	MOLDED RING-VENTURI 22
71	0161R00002P	CONDUIT
81	0163M00004	SCREW #10 X3/4", BLK (QTY 4)
91	0154R00006	GASKET, CONTROL PANEL
141	0201R00712	COIL TUBING ASSY
151	0121R00583PDG	LOUVER POST, PDG 33.14
161	0121R00586PDGLS	LOUVER PANEL, 29" CHASSIS, PNT
171	0121R00586PDGRS	LOUVER PANEL, 29" CHASSIS, PNT
181	0130M00250	CONTROL, DEFROST
NS	B1789851	FLOW CHECK PISTON KIT .051
NS	0163M00005P	WASHER, BLACK (.50 OD .218ID) (QTY 4)

Expanded Model Nomenclature

M1 - GSZ140181LA
