

# REPAIR PARTS

---

## VSX14 Remote Condensing Unit

VSX140181BE  
VSX140181BF  
VSX140181CA  
VSX140191AE  
VSX140191AF  
VSX140241BF  
VSX140241BG  
VSX140251BD  
VSX140251BE  
VSX140301BC  
VSX140311AD  
VSX140361AF  
VSX140371AE  
VSX140421AF  
VSX140431AE  
VSX140481AE  
VSX140601AE



This manual is to be used by qualified technicians only.

This manual replaces RP-4319.

---

© 2017, 2019 Goodman Manufacturing Company, L.P. ♦ 5151 San Felipe St, Suite 500 ♦ Houston, TX 77056

# Important Information

---

## Index

Functional Parts List .....	3
Illustration and Parts .....	4 - 9

*Views shown are for parts illustrations only, not servicing procedures.*

### Text Codes:

AR - As Required

NA - Not Available

NS - Not Shown

00000000 - See Note

QTY - Quantity Example (QTY 3) (If Quantity not shown, Quantity = 1)

M - Model Example (M1) (If M Code not shown, then part is used on all Models)

### Expanded Model Nomenclature:

Example M1 - Model#1 M2 - Model#2 M3 - Model#3
---

Goodman Manufacturing Company, L.P. is not responsible for personal injury or property damage resulting from improper service. Review all service information before beginning repairs.

Warranty service must be performed by an authorized technician, using authorized factory parts. If service is required after the warranty expires, Goodman Manufacturing Company, L.P. also recommends contacting an authorized technician and using authorized factory parts.

Goodman Manufacturing Company, L.P. reserves the right to discontinue, or change at any time, specifications or designs without notice or without incurring obligations.

For assistance within the U.S.A. contact:  
Homeowner Support  
Goodman Manufacturing Company, L.P.  
19001 Kermier Road  
Waller, Texas 77484  
877-254-4729-Telephone  
713-863-2382-Facsimile

For assistance outside the U.S.A. contact:  
International Division  
Goodman Manufacturing Company, L.P.  
19001 Kermier Road  
Waller, Texas 77484  
713-861-2500-Telephone  
713-863-2382-Facsimile

# Functional Parts

**Part No:**            **Description:**

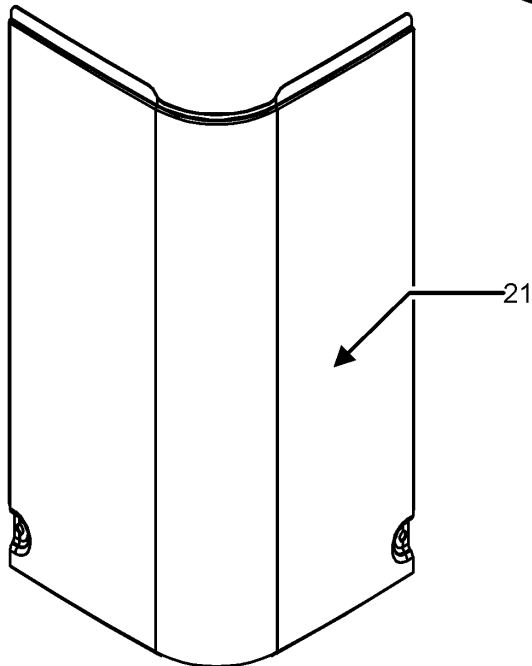
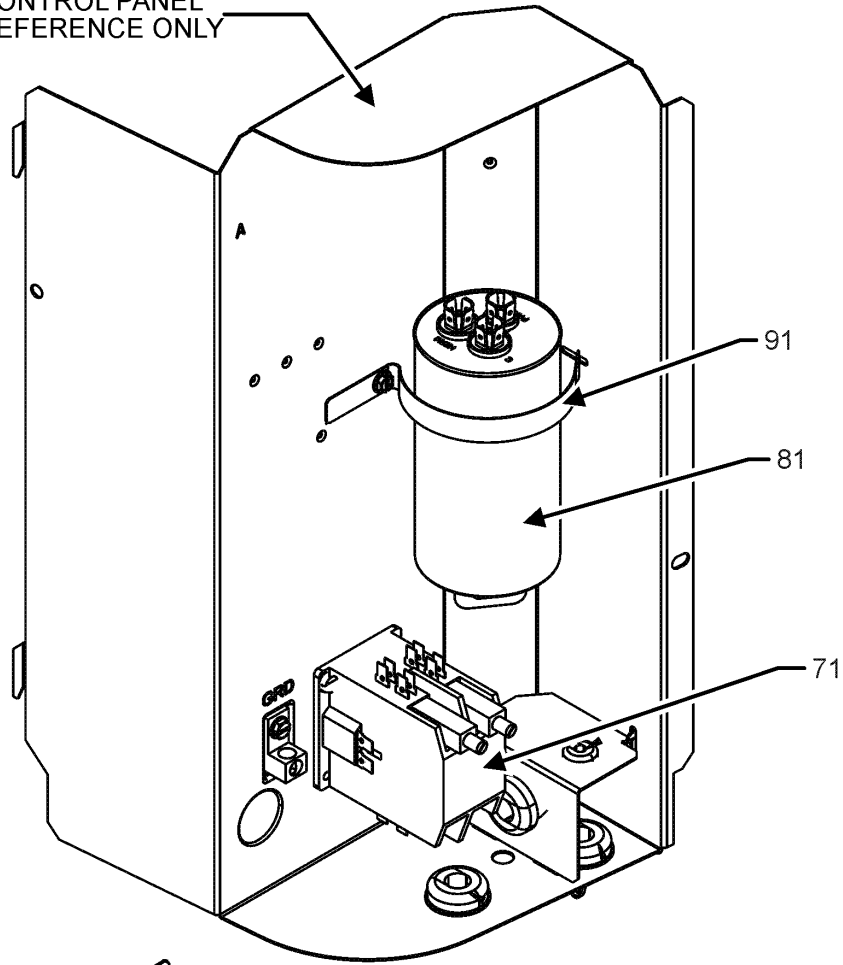
50N382YV-ZAKM	1.5T RECHI COMPRESSOR (4-LEGS) (M1, M2, M3, M4, M5, M6, M7, M8, M9)
0131M00266	1/8 HP 8 PL PSC MOTOR (M1, M4, M6, M8)
0131M00811	1/8 HP 8 PL PSC MOTOR (M2, M5, M7, M9)
50N492ZV-ZAKM	2.0TONRECHI COMPR.4 LEGS (M6, M7)
50N6229V-ZAKM	2.5 TON RECHI COMPR. 4 LEGS (M10)
0151R00079	BASE VALVE 3/4" (M1, M2, M3, M4, M5, M6, M7, M8, M9, M10, M11, M12, M13)
0151R00167	BASE VALVE 3/8"
0151R00080	BASE VALVE 7/8" (M14, M15, M16, M17)
0150M00012	BLADE-FAN 20" CCW (M1, M2, M4, M5, M6, M7, M8, M9)
CAP050450440CT	CAP, 5/45 MFD/440V/DUAL RD (M6, M7, M12, M13, M14, M15, M16)
CAP050500440CT	CAP, 5/50 MFD/440V/DUAL RD (M10)
CAP050300440CS	CAP,5/30MFD/440V/DUAL RD (M4, M5)
CAP050350440CS	CAPACITOR 5/35/440V (M1, M2, M3, M8, M9)
CAP050400440CT	CAPACITOR 5/40/440V/DUAL RD (M11)
CAP050700440CT	CAPACITOR 5/70/440V/DUAL RD (M17)
ZP14K6EPFV120	COMP, 20200, 208/230/60/1 (M4, M5)
ZP24K6EPFV120	COMP, 32500, 208/230/60/1 (M11)
ZP29K6EPFV120	COMP, 39700, 208/230/60/1 (M13)
ZP20K5EPFV130	COMP,20000,208/230/60/1 (M8, M9)
ZP29K5EPFV130	COMP,29000,208/230/60/1 (M12)
ZP31K5EPFV130	COMP,31100,208/230/60/1 (M14, M15)
ZP38K5EPFV130	COMP,37500,208/230/60/1 (M16)
ZP49K5EPFV130	COMP,49400,208/230/60/1 (M17)
CONT1P025024V	CONTACTOR 25 AMP, 1P, 24V (M1, M2, M3, M4, M5, M6, M7, M8, M9, M10, M11, M12, M13, M14, M15)
CONT1P030024V	CONTACTOR 30 AMP, 1P, 24V (M16, M17)
0150M00030	FAN BLADE, 18" (M3)
0150M00008	FAN BLADE, 22" TNT2203-25 (M10, M11, M12, M13, M14, M15)
0150M00054	FAN BLADE, 26" (M16, M17)
0131M00807	MOTOR, 1/4HP,1SP,8PL,AL (M16, M17)
0131M00753	MOTOR, 1/6HP, 1SP, 8PL, AL (M10, M11, M12, M13, M14, M15)
0131M00593	MOTOR, 1/8 HP, ISP, 6PL, AL (M3)
0130M00089	SW-CUTOUT HI PRESS (M1, M2, M3, M6, M7, M10)

## Expanded Model Nomenclature

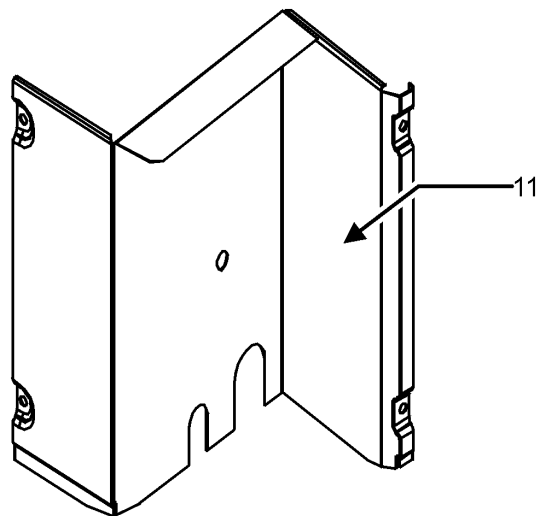
M1 - VSX140181BE
M2 - VSX140181BF
M3 - VSX140181CA
M4 - VSX140191AE
M5 - VSX140191AF
M6 - VSX140241BF
M7 - VSX140241BG
M8 - VSX140251BD
M9 - VSX140251BE
M10 - VSX140301BC
M11 - VSX140311AD
M12 - VSX140361AF
M13 - VSX140371AE
M14 - VSX140421AF
M15 - VSX140431AE
M16 - VSX140481AE
M17 - VSX140601AE

# Control Box Assembly

CONTROL PANEL  
REFERENCE ONLY



UPPER ACCESS PANEL



LOWER ACCESS PANEL

# Control Box Assembly

Ref. Part No: No:	Description:	Ref. Part No: No:	Description:
-------------------	--------------	-------------------	--------------

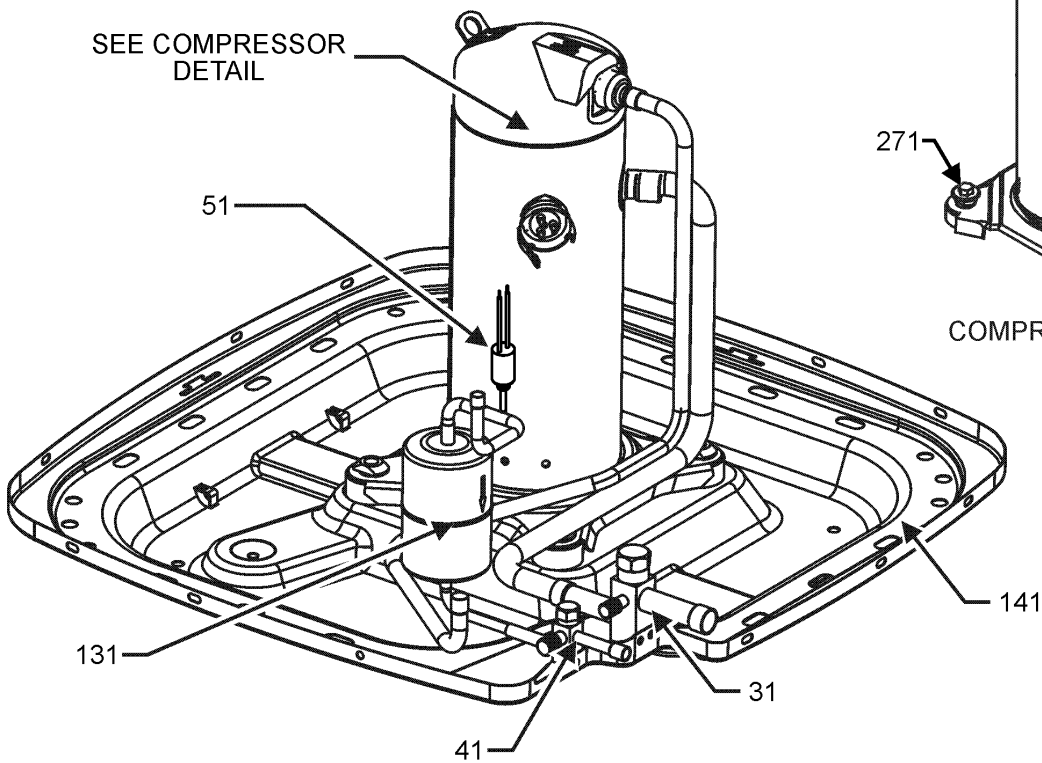
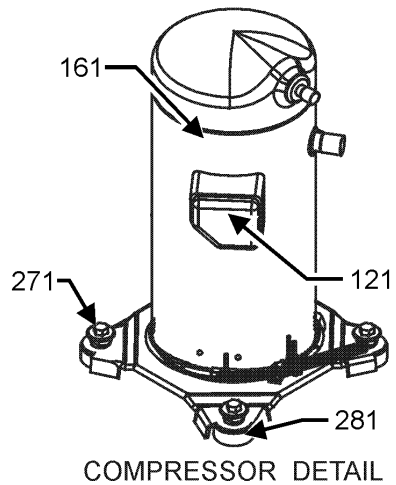
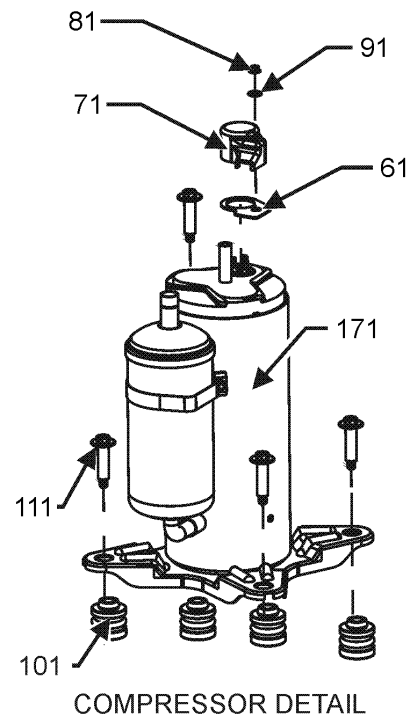
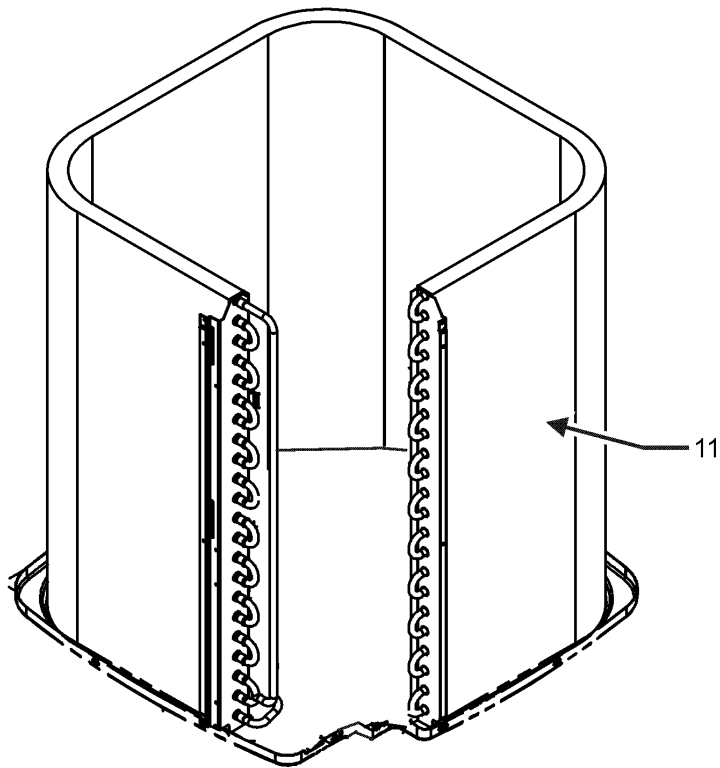
**Image 1:**

11	0121R00316PDB	PANEL, LOWER ACCESS PNT (M17)
11	0121R00319PDB	PANEL, LOWER ACCESS PNT (M14, M15, M16)
11	0121R00326PDB	PANEL, LOWER ACCESS PNT (M1, M2, M4, M5, M6, M7)
11	0121R00663PDB	PANEL, LOWER ACCESS PNT (M8, M9, M10, M11, M12, M13)
11	0121R00265PDB	PANEL, LOWER ACCESS 23_25.2 PNT (M3)
21	0121R00053PDB	CONTROL COVER (M1, M2, M4, M5, M6, M7, M8, M9, M10, M11, M12, M13, M14, M15, M16, M17)
21	0121R00268PDB	COVER, CONTROL, PNT (M3)
71	CONT1P025024V	CONTACTOR 25 AMP, 1P, 24V (M1, M2, M3, M4, M5, M6, M7, M8, M9, M10, M11, M12, M13, M14, M15)
71	CONT1P030024V	CONTACTOR 30 AMP, 1P, 24V (M16, M17)
81	CAP050450440CT	CAP, 5/45 MFD/440V/DUAL RD (M6, M7, M12, M13, M14, M15, M16)
81	CAP050500440CT	CAP, 5/50 MFD/440V/DUAL RD (M10)
81	CAP050300440CS	CAP, 5/30MFD/440V/DUAL RD (M4, M5)
81	CAP050350440CS	CAPACITOR 5/35/440V (M1, M2, M3, M8, M9)
81	CAP050400440CT	CAPACITOR 5/40/440V/DUAL RD (M11)
81	CAP050700440CT	CAPACITOR 5/70/440V/DUAL RD (M17)
91	4400065	CAPACITOR STRAP

**Expanded Model Nomenclature**

M1 - VSX140181BE
M2 - VSX140181BF
M3 - VSX140181CA
M4 - VSX140191AE
M5 - VSX140191AF
M6 - VSX140241BF
M7 - VSX140241BG
M8 - VSX140251BD
M9 - VSX140251BE
M10 - VSX140301BC
M11 - VSX140311AD
M12 - VSX140361AF
M13 - VSX140371AE
M14 - VSX140421AF
M15 - VSX140431AE
M16 - VSX140481AE
M17 - VSX140601AE

# Compressor and Tubing Assembly



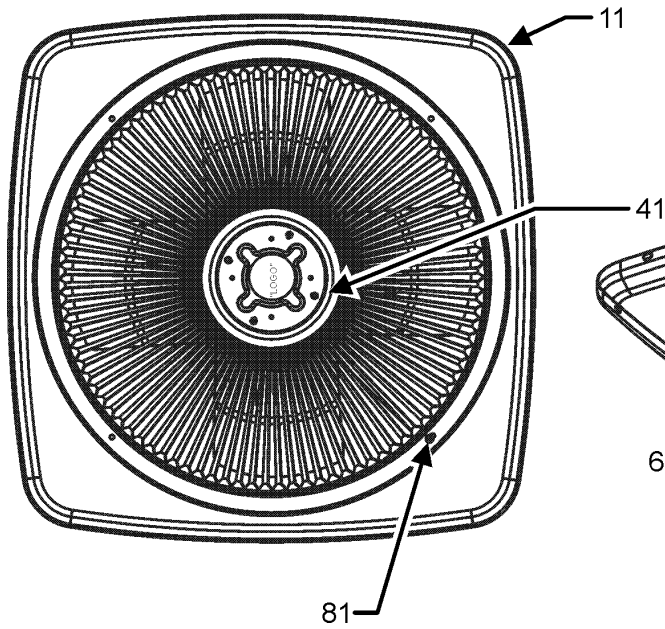
NOTE: TUBING ASSEMBLY MAY DIFFER FROM WHAT IS SHOWN

# Compressor and Tubing Assembly

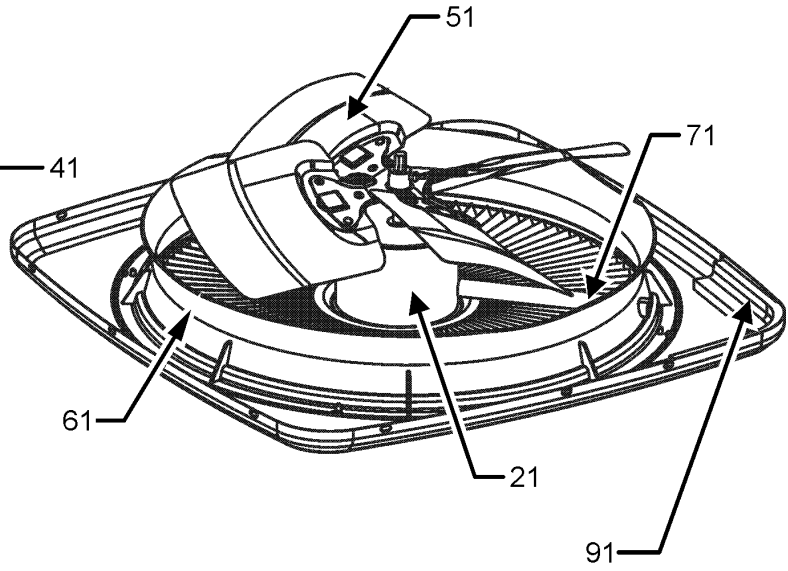
Ref. Part No:	Part No:	Description:	Ref. Part No:	Part No:	Description:
<b>Image 1:</b>			<b>Image 1:</b>		
11	0201R00230	COIL TUBING ASSY (M10)	NS	B1789865	FLOW CHECK PISTON KIT .065 (M10)
11	0201R00279	COIL TUBING ASSY (M12)	NS	B1789868	FLOW CHECK PISTON KIT .068 (M12)
11	0201R00296	COIL TUBING ASSY (M11, M13)	NS	B1789871	FLOW CHECK PISTON KIT .071 (M13)
11	0201R00385	COIL TUBING ASSY (M16)	NS	B1789874	FLOW CHECK PISTON KIT .074 (M14, M15)
11	0201R00433	COIL TUBING ASSY (M17)	NS	B1789878	FLOW CHECK PISTON KIT .078 (M16)
11	0201R00458	COIL TUBING ASSY (M1, M2, M4, M5, M6, M7)	NS	B1789888	FLOW CHECK PISTON KIT .088 (M17)
11	0201R00566	COIL TUBING ASSY (M14, M15)			
11	0201R00666	COIL TUBING ASSY (M8, M9)			
11	0201R00683	COIL TUBING ASSY (M3)			
31	0151R00079	BASE VALVE 3/4" (M1, M2, M3, M4, M5, M6, M7, M8, M9, M10, M11, M12, M13)			
31	0151R00080	BASE VALVE 7/8" (M14, M15, M16, M17)			
41	0151R00167	BASE VALVE 3/8"			
51	0130M00089	SW-CUTOOUT HI PRESS (M1, M2, M3, M6, M7, M10)			
61	60100107	TERMINAL COVER GASKET (M1, M2, M3, M6, M7, M10)			
71	60100317	TERMINAL COVER (M1, M2, M3, M6, M7, M10)			
81	60100401	TERMINAL NUT - RECHI COMP (M1, M2, M3, M6, M7, M10)			
91	60100201	WASHER - RECHI COMPRESSOR (M1, M2, M3, M6, M7, M10)			
101	60140209	GROMMET - RECHI COMPRESSOR (M1, M2, M3, M6, M7, M10)			
111	0163M00186	SCREW-SHOULDER TF (M1, M2, M3, M6, M7, M10)			
121	0159R00000P	HARNESS, COMP SCROLL 130 36" (M4, M5, M8, M9)			
121	0159R00001P	HARNESS, COMP SCROLL 130 42" (M11, M12, M13, M14, M15)			
121	0159R00002P	HARNESS, COMP SCROLL 130 46" (M16)			
121	0159R00017	HARNESS, COMP-SCROLL (M17)			
131	0162R00009	FILTER DRIER			
141	0121R00272	BASE PAN, 23" (M3)			
141	0121R00005	BASE PAN, 26" (M1, M2, M4, M5, M6, M7, M8, M9)			
141	0121R00006	BASE PAN, 29" (M10, M11, M12, M13, M14, M15)			
141	0121R00007	BASE PAN, 35.5" (M16, M17)			
161	ZP14K6EPFV120	COMP, 20200, 208/230/60/1 (M4, M5)			
161	ZP24K6EPFV120	COMP, 32500, 208/230/60/1 (M11)			
161	ZP29K6EPFV120	COMP, 39700, 208/230/60/1 (M13)			
161	ZP20K5EPFV130	COMP,20000,208/230/60/1 (M8, M9)			
161	ZP29K5EPFV130	COMP,29000,208/230/60/1 (M12)			
161	ZP31K5EPFV130	COMP,31100,208/230/60/1 (M14, M15)			
161	ZP38K5EPFV130	COMP,37500,208/230/60/1 (M16)			
161	ZP49K5EPFV130	COMP,49400,208/230/60/1 (M17)			
271	M0221641	TF SHOULDER SCREW (M4, M5, M8, M9, M11, M12, M13, M14, M15, M16, M17)			
281	B1339533	COMPRESSOR GROMMET (M4, M5, M8, M9, M11, M12, M13, M14, M15, M16, M17)			
291	50N382YV-5AKM	1.5T RECHI COMPRESSOR (3-LEGS) (M3)			
291	50N382YV-ZAKM	1.5T RECHI COMPRESSOR (4-LEGS) (M1, M2)			
291	50N492ZV-ZAKM	2.0TONRECHI COMPR.4 LEGS (M6, M7)			
291	50N6229V-ZAKM	2.5 TON RECHI COMPR. 4 LEGS (M10)			
NS	B1789851	FLOW CHECK PISTON KIT .051 (M1, M2, M3)			
NS	B1789853	FLOW CHECK PISTON KIT .053 (M4, M5)			
NS	B1789857	FLOW CHECK PISTON KIT .057 (M6, M7, M8, M9)			
NS	B1789863	FLOW CHECK PISTON KIT .063 (M11)			
			<b>Expanded Model Nomenclature</b>		
			M1 - VSX140181BE		
			M2 - VSX140181BF		
			M3 - VSX140181CA		
			M4 - VSX140191AE		
			M5 - VSX140191AF		
			M6 - VSX140241BF		
			M7 - VSX140241BG		
			M8 - VSX140251BD		
			M9 - VSX140251BE		
			M10 - VSX140301BC		
			M11 - VSX140311AD		
			M12 - VSX140361AF		
			M13 - VSX140371AE		
			M14 - VSX140421AF		
			M15 - VSX140431AE		
			M16 - VSX140481AE		
			M17 - VSX140601AE		

# Top and Louver Panel Assembly

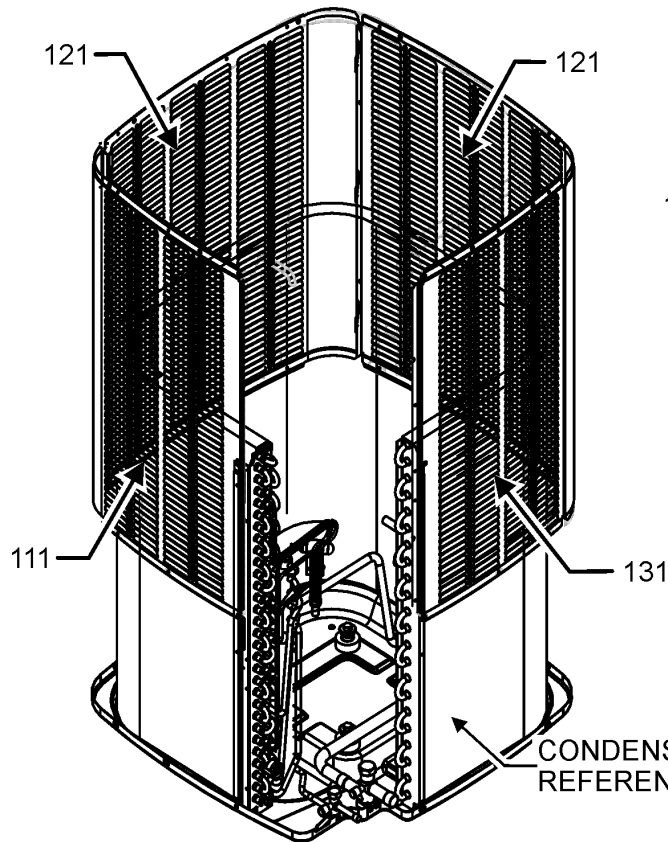
TOP PANEL ASSEMBLY  
TOP VIEW



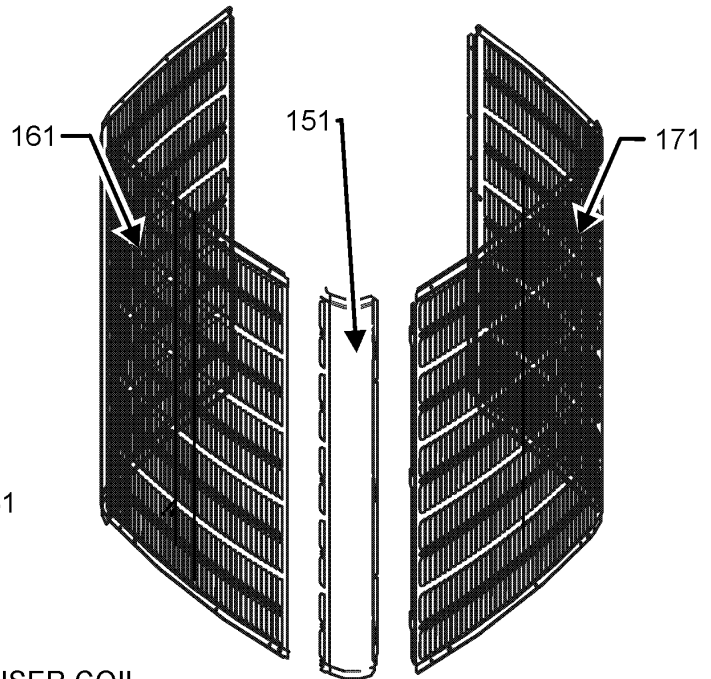
TOP PANEL ASSEMBLY  
BOTTOM VIEW



LOUVER PANEL ASSEMBLY STYLE 1



LOUVER PANEL ASSEMBLY STYLE 2





# Top and Louver Panel Assembly

Ref. Part No:	Ref. Part No:	Description:	Description:
---------------	---------------	--------------	--------------

**Image 1:**

11	0121R00269PDB	PANEL, TOP 35" PNT (M16, M17)
11	0121R00270PDB	PANEL, TOP, PNT (M3)
11	0121R00008PDB	TOP PANEL 26" (M1, M2, M4, M5, M6, M7, M8, M9)
11	0121R00010PDB	TOP PANEL 29" (M10, M11, M12, M13, M14, M15)
21	0131M00266	1/8 HP 8 PL PSC MOTOR (M1, M4, M6, M8)
21	0131M00811	1/8 HP 8 PL PSC MOTOR (M2, M5, M7, M9)
21	0131M00807	MOTOR, 1/4HP,1SP,8PL,AL (M16, M17)
21	0131M00753	MOTOR, 1/6HP, 1SP, 8PL, AL (M10, M11, M12, M13, M14, M15)
21	0131M00593	MOTOR, 1/8 HP, ISP, 6PL, AL (M3)
41	0163M00006P	ACORN NUT 5/16 HEX BLACK (QTY 4)
51	0150M00012	BLADE-FAN 20" CCW (M1, M2, M4, M5, M6, M7, M8, M9)
51	0150M00030	FAN BLADE, 18" (M3)
51	0150M00008	FAN BLADE, 22" TNT2203-25 (M10, M11, M12, M13, M14, M15)
51	0150M00054	FAN BLADE, 26" (M16, M17)
61	0161R00048	MOLDED RING-VENTURI 22 (M12)
61	0161R00007P	RING, VENTURI 35" (M16)
61	0161L00000	RING-VENTURI 22 (M11, M13, M14, M15)
71	0161R00001P	CONDUIT (M1, M2, M4, M5, M6, M7, M8, M9)
71	0161R00002P	CONDUIT (M11, M12, M13, M14, M15)
71	0161R00003P	CONDUIT (M10)
71	0161R00004P	CONDUIT (M16)
71	0161R00005P	CONDUIT (M17)
71	0161R00032	conduit (M3)
81	0163M00003P	SCREW,#10 X 1/2,A,SLOT,SR,BLK (M1, M2, M3, M4, M5, M6, M7, M8, M9, M10, M17)
81	0163M00004	SCREW,#10X3/4", BLK (M11, M12, M13, M14, M15, M16)
91	0154R00006	GASKET, CONTROL PANEL (M1, M2, M4, M5, M6, M7, M8, M9, M10, M11, M12, M13, M14, M15, M16, M17)
111	0121R00228PDB	PANEL 1, LOUVER 35, 5MM, PNT (M16)
111	0121R00229PDB	PANEL 1,LOUVER 35,37.8 5MM,PNT (M17)
121	0121R00232PDB	PANEL 2, LOUVER 35 (M17)
121	0121R00231PDB	PANEL 2, LOUVER 35, 5MM, PNT (M16)
131	0121R00235PDB	PANEL 3, LOUVER 35, 37.8 (M17)
131	0121R00234PDB	PANEL 3, LOUVER 35, 5MM, PNT (M16)
151	0121R00347PDB	Louver Post, PBB 23.73 (M1, M2, M4, M5, M6, M7)
151	0121R00350PDB	Louver Post, PBB 28.73 (M8, M9, M10, M11, M12, M13)
151	0121R00352PDB	Louver Post, PBB 32.51 (M14, M15)
151	0121R00280PDB	POST, LOUVER 23_25.2, PNT (M3)
161	0121R00336PDBLS	LOUVER PANEL, 26"_23.73 (M1, M2, M4, M5, M6, M7)
161	0121R00337PDBLS	LOUVER PANEL, 26"_28.73 (M8, M9)
161	0121R00342PDBLS	LOUVER PANEL, 29"_28.73 (M10, M11, M12, M13)
161	0121R00344PDBLS	LOUVER PANEL, 29"_32.51 (M14, M15)
161	0121R00274PDBLS	PANEL, LOUVER 23_25.2, PNT (M3)
171	0121R00336PDBRS	LOUVER PANEL, 26"_23.73 (M1, M2, M4, M5, M6, M7)
171	0121R00337PDBRS	LOUVER PANEL, 26"_28.73 (M8, M9)
171	0121R00342PDBRS	LOUVER PANEL, 29"_28.73 (M10, M11, M12, M13)
171	0121R00344PDBRS	LOUVER PANEL, 29"_32.51 (M14, M15)

**Image 1:**

171	0121R00274PDBRS	PANEL, LOUVER 23_25.2, PNT (M3)
NS	0121R00297	RAIN SHIELD (M3)
NS	0163M00005P	WASHER, BLACK (.50 OD .218D) (M1, M2, M4, M5, M6, M7, M8, M9, M10, M11, M12, M13, M14, M15, M16, M17)

**Expanded Model Nomenclature**

M1 - VSX140181BE
M2 - VSX140181BF
M3 - VSX140181CA
M4 - VSX140191AE
M5 - VSX140191AF
M6 - VSX140241BF
M7 - VSX140241BG
M8 - VSX140251BD
M9 - VSX140251BE
M10 - VSX140301BC
M11 - VSX140311AD
M12 - VSX140361AF
M13 - VSX140371AE
M14 - VSX140421AF
M15 - VSX140431AE
M16 - VSX140481AE
M17 - VSX140601AE