

# REPAIR PARTS

---

## VSZ14 Single Phase Remote Heat Pump

VSZ140181BA

VSZ140241BA



This manual is to be used by qualified technicians only.

This manual replaces RP-4315.

© 2018 Goodman Manufacturing Company, L.P. ♦ 5151 San Felipe St, Suite 500 ♦ Houston, TX 77056

# Important Information

---

## Index

Functional Parts List .....	3
Illustration and Parts .....	4 - 9

*Views shown are for parts illustrations only, not servicing procedures.*

### Text Codes:

AR - As Required

NA - Not Available

NS - Not Shown

00000000 - See Note

QTY - Quantity Example (QTY 3) (If Quantity not shown, Quantity = 1)

M - Model Example (M1) (If M Code not shown, then part is used on all Models)

### Expanded Model Nomenclature:

Example M1 - Model#1 M2 - Model#2 M3 - Model#3
---

Goodman Manufacturing Company, L.P. is not responsible for personal injury or property damage resulting from improper service. Review all service information before beginning repairs.

Warranty service must be performed by an authorized technician, using authorized factory parts. If service is required after the warranty expires, Goodman Manufacturing Company, L.P. also recommends contacting an authorized technician and using authorized factory parts.

Goodman Manufacturing Company, L.P. reserves the right to discontinue, or change at any time, specifications or designs without notice or without incurring obligations.

For assistance within the U.S.A. contact:  
Homeowner Support  
Goodman Manufacturing Company, L.P.  
19001 Kermier Road  
Waller, Texas 77484  
877-254-4729-Telephone  
713-863-2382-Facsimile

For assistance outside the U.S.A. contact:  
International Division  
Goodman Manufacturing Company, L.P.  
19001 Kermier Road  
Waller, Texas 77484  
713-861-2500-Telephone  
713-863-2382-Facsimile

# Functional Parts

## Part

## No: Description:

---

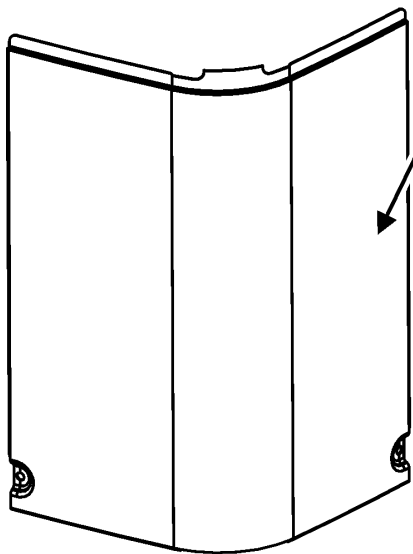
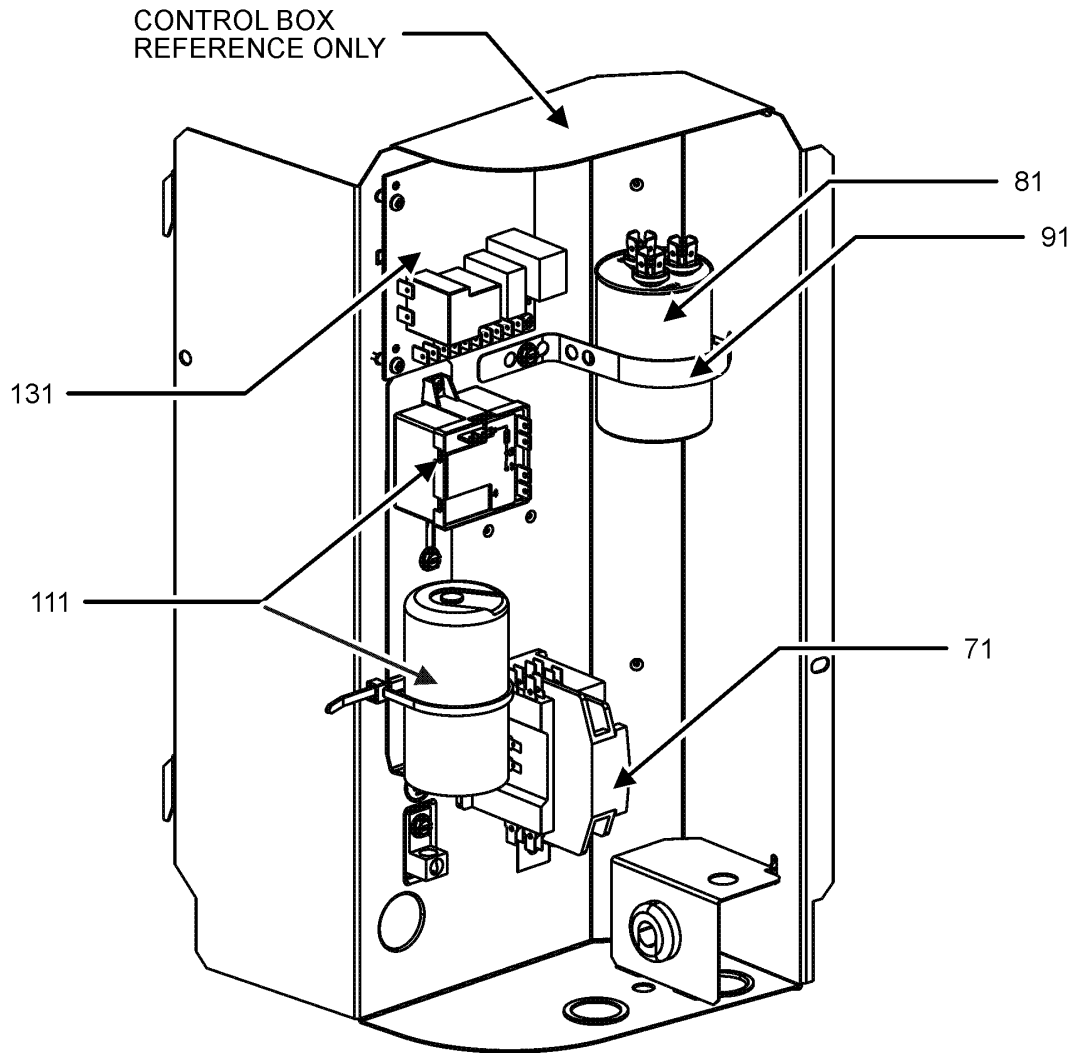
CSR-U-1	1 TO 3 TON COMPR SAVER 25/CS
50N382YV-ZAKQ	1.5T RECHI COMPRESSOR (4-LEGS) (M1)
50N492ZV-ZAKQ	2.0 TON RECHI COMPR (M2)
0151R00079	BASE VALVE 3/4"
0151R00167	BASE VALVE 3/8"
CAP050350440CS	CAP, 5/35 MFD/440V/DUAL RD (M1)
CAP050450440CT	CAP, 5/45 MFD/440V/DUAL RD (M2)
CONT1P025024V	CONTACTOR 25 AMP, 1P, 24V
0130M00250	CONTROL, DEFROST
0130M00089	CUT-OUT SWITCH, HIGH PRESSURE
0130M00088	CUT-OUT SWITCH, LOW PRESSURE
PCBDM133	DEFROST CONTROL BOARD
0130M00106	DISC THERMOSTAT(CRANKCS HTR SW)
0163R00006	HEATER, CRANKCASE 230V, 40W
0131M00753	MOTOR, 1/6HP, 1SP, 8PL, AL
0151R00068	REVERSING VALVE
B1225022	SOLENOID COIL

### Expanded Model Nomenclature

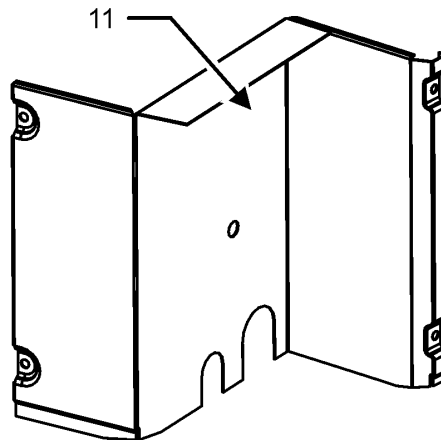
M1 - VSZ140181BA

M2 - VSZ140241BA

# Control Box Assembly



UPPER ACCESS COVER



LOWER ACCESS PANEL

# Control Box Assembly

Ref. Part No:	No:	Description:	Ref. Part No:	No:	Description:
---------------	-----	--------------	---------------	-----	--------------

---

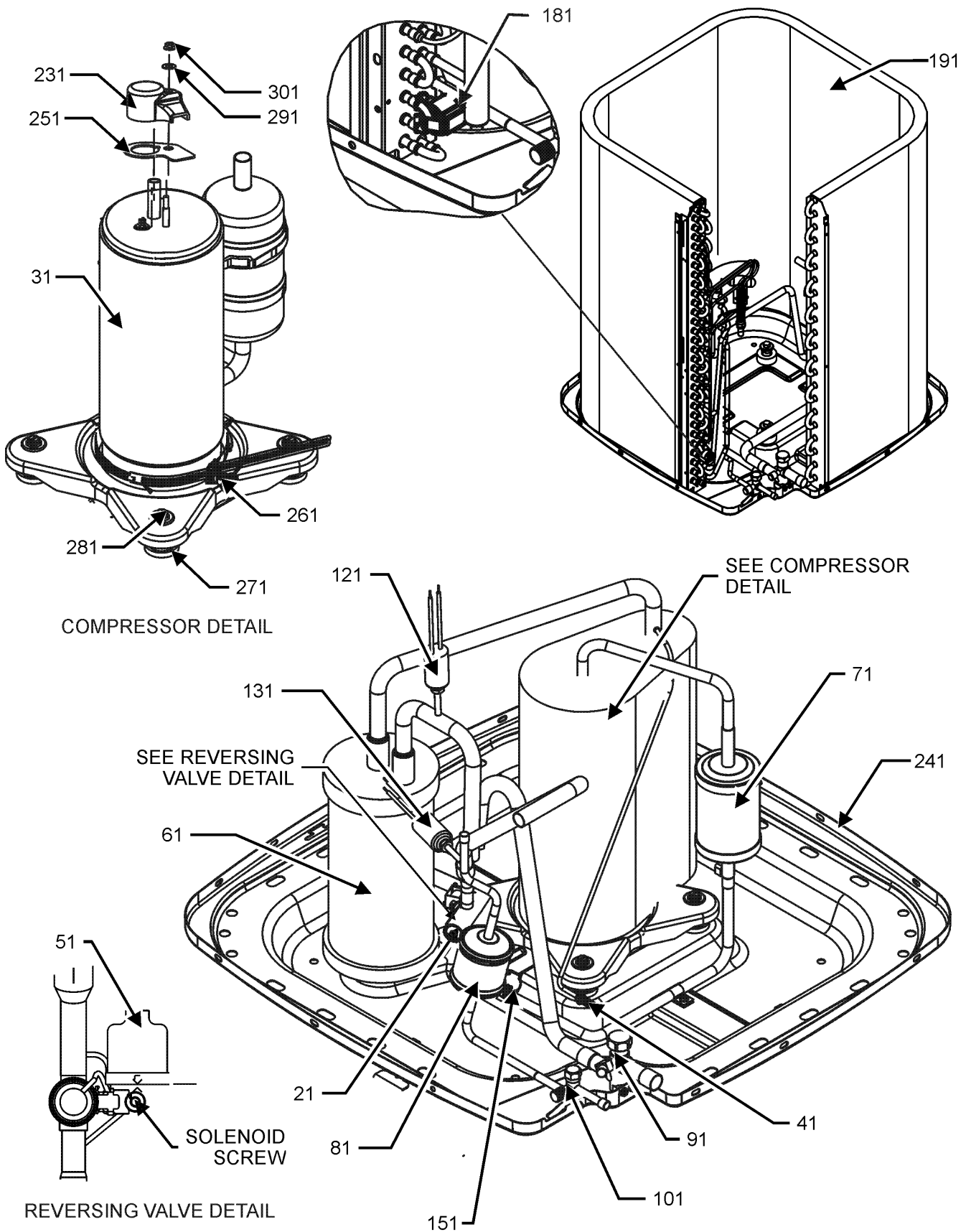
**Image 1:**

11	0121R00625PDB	PANEL, LOWER ACCESS PNT
21	0121R00053PDB	CONTROL COVER, SM PNT
71	CONT1P025024V	CONTACTOR 25 AMP, 1P, 24V
81	CAP050350440CS	CAP, 5/35 MFD/440V/DUAL RD (M1)
81	CAP050450440CT	CAP, 5/45 MFD/440V/DUAL RD (M2)
91	4400065	CAPACITOR STRAP
111	CSR-U-1	1 TO 3 TON COMPR SAVER 25/CS
131	PCBDM133	DEFROST CONTROL BOARD
NS	0121R00849	HARD START KIT BRACKET

**Expanded Model Nomenclature**

M1 - VSZ140181BA
M2 - VSZ140241BA

# Compressor and Tubing Assembly



# Compressor and Tubing Assembly

Ref. Part No:	Ref. Part No:	Description:	Description:
---------------	---------------	--------------	--------------

**Image 1:**

21	0151R00068	REVERSING VALVE
31	50N382YV-ZAKQ	1.5T RECHI COMPRESSOR (4-LEGS) (M1)
31	50N492ZV-ZAKQ	2.0 TON RECHI COMPR (M2)
41	B1787000	VALVE CORE
51	0130M00410	REVERSING VALVE HARNESS
61	B1226207	ACCUMULATOR .875
71	0162R00007	MUFFLER 1/2 X 1/2
81	20485201	BI-FLOW FILTER DRIER
91	0151R00079	BASE VALVE 3/4"
101	0151R00167	BASE VALVE 3/8"
121	0130M00088	CUT-OUT SWITCH, LOW PRESSURE
131	0130M00089	CUT-OUT SWITCH, HIGH PRESSURE
151	0130M00106	DISC THERMOSTAT(CRNKCS HTR SW)
181	0130M00250	CONTROL, DEFROST
191	0201R00669	COIL TUBING ASSY (M2)
191	0201R00712	COIL TUBING ASSY (M1)
231	60100317	TERMINAL COVER
241	0121R00006	BASE PAN, 29"
251	60100107	TERMINAL COVER GASKET
261	0163R00006	HEATER, CRANKCASE 230V, 40W
271	60140209	GROMMET - RECHI COMPRESSOR (QTY 4)
281	0163M00186	TF SHOULDER SCREW (QTY 4)
291	60100401	TERMINAL NUT - RECHI COMP
301	60100201	WASHER - RECHI COMPRESSOR
NS	0163M00175	CAP WITH O-RING
NS	0160M00027	COMPRESSOR BLANKET (M2)
NS	B1225022	SOLENOID COIL

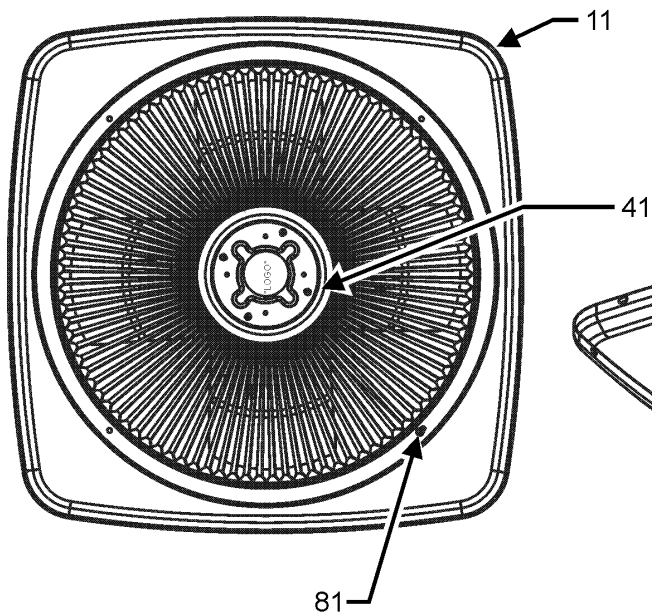
**Expanded Model Nomenclature**

M1 - VSZ140181BA

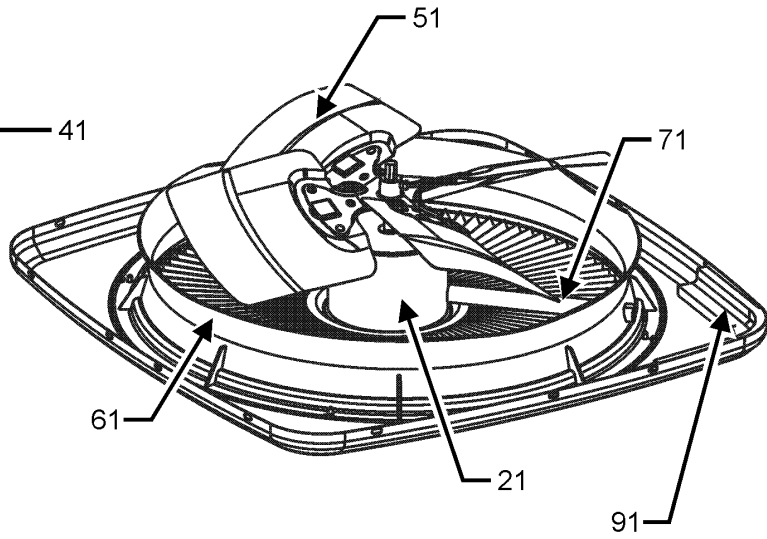
M2 - VSZ140241BA

# Top and Louver Side Panel Assembly

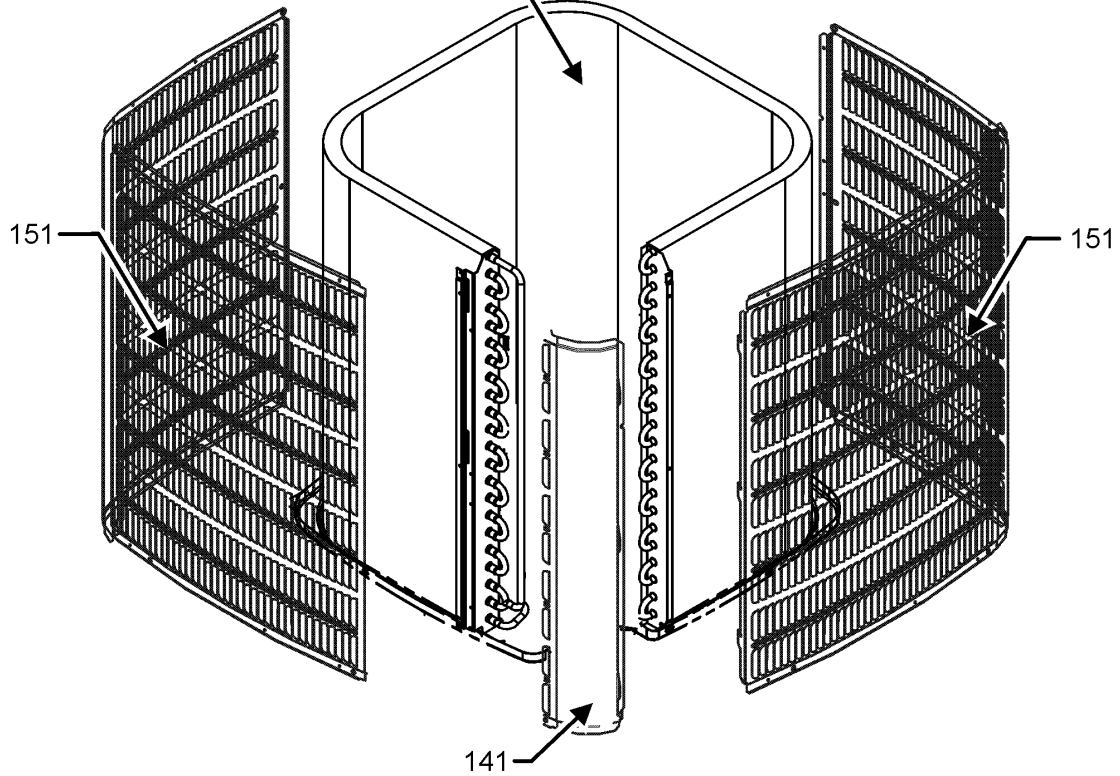
TOP PANEL ASSEMBLY  
TOP VIEW



TOP PANEL ASSEMBLY  
BOTTOM VIEW



CONDENSER COIL  
REFERENCE ONLY



LOUVER PANEL ASSEMBLY



# Top and Louver Side Panel Assembly

Ref. Part

No: No:

Description:

Ref. Part

No: No:

Description:

---

**Image 1:**

11	0121R00010PDB	TOP PANEL 29"
21	0131M00753	MOTOR, 1/6HP, 1SP, 8PL, AL
41	0163M00006P	ACORN NUT 5/16 HEX BLACK (QTY 4)
51	0150M00008	FAN BLADE, 22" TNT2203-25
61	0161R00048	MOLDED RING-VENTURI 22
71	0161R00002P	CONDUIT
81	0163M00004	SCREW #10X3/4", BLACK (QTY 4)
91	0154R00006	GASKET, CONTROL PANEL
141	0121R00583PDB	LOUVER POST, 33.14
151	0121R00586PDB	LOUVER PANEL, 29" CHASSIS, PNT (QTY 2)
NS	B1789851	FLOW CHECK PISTON KIT (M1)
NS	B1789857	FLOW CHECK PISTON KIT (M2)

**Expanded Model Nomenclature**

M1 - VSZ140181BA

M2 - VSZ140241BA