

**ROOF CURB  
FIELD INSTALLATION (FOR 3-12.5 TON)  
MODELS DRC/DRG/DRH/DBC/DBG/DBH  
LIGHT COMMERCIAL ROOFTOP UNITS  
INSTALLATION INSTRUCTIONS**

© 2019 **DAIKIN MANUFACTURING COMPANY, L.P.**  
19001 Kermier Rd., Waller, TX 77484  
[www.daikinac.com](http://www.daikinac.com)  
P/N: IOD-7122 Date: November 2019

**Safety Considerations**

The following symbols and labels are used throughout this manual to indicate immediate or potential safety hazards. It is the owner's and installer's responsibility to read and comply with all safety information and instructions accompanying these symbols. Failure to heed safety information increases the risk of personal injury, property damage, and/or product damage.

Knocked Down Roof Curbs		
Unit Tonnage	Description	Part Number
3 to 6	Curb 14" Tall	0221L00014
	Curb 24" Tall	0221L00015
7.5 to 12.5	Curb 14" Tall	0270L01153
	Curb 24" Tall	0270L01154

Table 1


**PRE-INSTALLATION**

- Inspect Shipment for Damage** - File claim with shipping company if accessory is damaged or incomplete. Contact your supplier for any missing parts.

**Important:** To eliminate any delays in shipping and to insure part(s) replacement accuracy, provide the Model Number and Production Number.


**INSTALLATION**

- Before installing your roof curb, check unit nameplate or RTU manufacturer's weight, and observe their requirement(s) for correct and proper clearances. Additionally, check the clearances of the new unit to other items on the roof, exhaust fans, walls, and other roof top units.
- Secure any wiring or pipes arising through the curb to be connected to the new rooftop unit. Be certain to identify any possible obstructions which could interfere with a crane's path if required.
- Bring together a curb side, and a curb end. Simply fit the tab into the slot, and with minimum pressure, the corners securely lock into place. See Figure 1. Be certain not to join incorrect pieces. This style curb requires much more effort to disassemble. Do not strike with too much force and damage the curb. Repeat for the assembly of all corners.

 **WARNING**


ONLY PERSONNEL THAT HAVE BEEN TRAINED TO INSTALL, ADJUST, SERVICE OR REPAIR (HEREINAFTER, "SERVICE") THE EQUIPMENT SPECIFIED IN THIS MANUAL SHOULD SERVICE THE EQUIPMENT. THE MANUFACTURER WILL NOT BE RESPONSIBLE FOR ANY INJURY OR PROPERTY DAMAGE ARISING FROM IMPROPER SERVICE OR SERVICE PROCEDURES. IF YOU SERVICE THIS UNIT, YOU ASSUME RESPONSIBILITY FOR ANY INJURY OR PROPERTY DAMAGE WHICH MAY RESULT. IN ADDITION, IN JURISDICTIONS THAT REQUIRE ONE OR MORE LICENSES TO SERVICE THE EQUIPMENT SPECIFIED IN THIS MANUAL, ONLY LICENSED PERSONNEL SHOULD SERVICE THE EQUIPMENT. IMPROPER INSTALLATION, ADJUSTMENT, SERVICING OR REPAIR OF THE EQUIPMENT SPECIFIED IN THIS MANUAL, OR ATTEMPTING TO INSTALL, ADJUST, SERVICE OR REPAIR THE EQUIPMENT SPECIFIED IN THIS MANUAL WITHOUT PROPER TRAINING MAY RESULT IN PRODUCT DAMAGE, PROPERTY DAMAGE, PERSONAL INJURY OR DEATH.

**PROP 65 WARNING  
FOR CALIFORNIA CONSUMERS**


 **WARNING**

Cancer and Reproductive Harm -  
[www.P65Warnings.ca.gov](http://www.P65Warnings.ca.gov)

0140M00517-A

 **WARNING**

**HIGH VOLTAGE!**  
DISCONNECT ALL POWER BEFORE SERVICING OR INSTALLING THIS UNIT. MULTIPLE POWER SOURCES MAY BE PRESENT. FAILURE TO DO SO MAY CAUSE PROPERTY DAMAGE, PERSONAL INJURY OR DEATH.



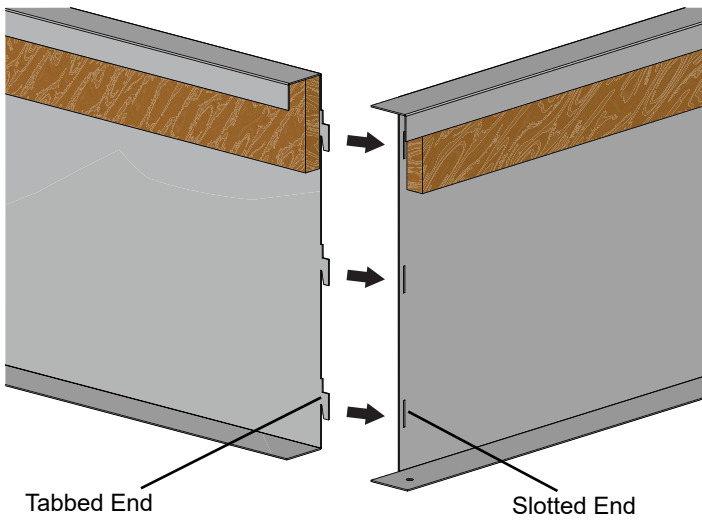
**ROOF CURB INFORMATION**

The knockdown roof curb ships unassembled, and can be easily stored in your inventory. With the use of some basic tools, it is easily field assembled.

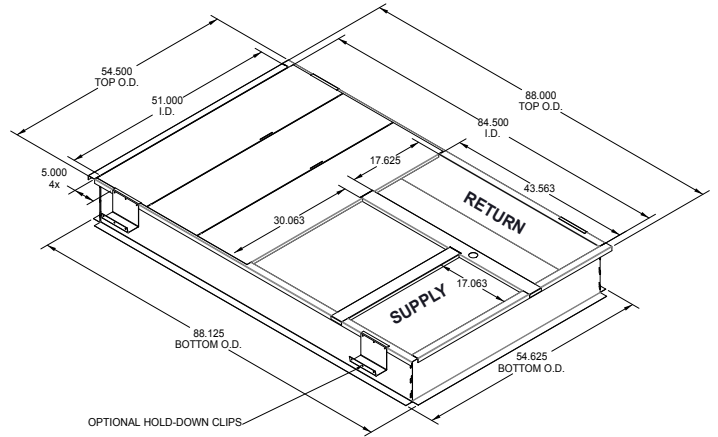
Refer to the figures in this manual for specific details for your curb.

Roof curbs are to be installed on the roof decking before setting of the Commercial Rooftop unit.





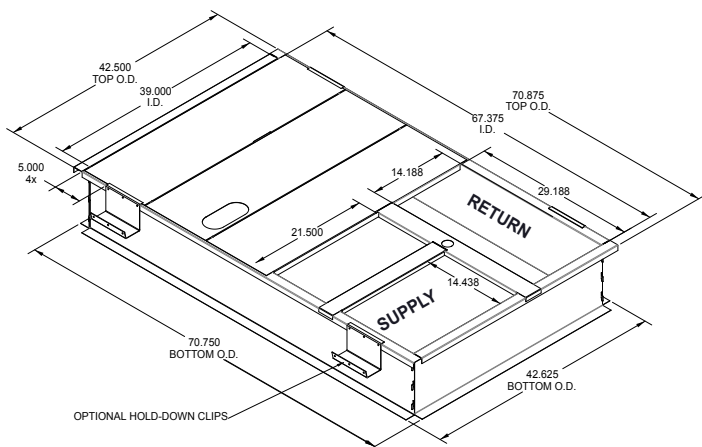
**Fig. 1 - Side & End Assembly**



**Fig. 3 - 7.5 to 12.5 Ton Roof Curbs**

4. Create two roof opening cuts in the roof to the approximate size of the return and supply openings on your curb. Refer to your curbs dimensions displayed in Figures 2 or 3. It is not necessary to cut out the entire area of the roof curb.
5. Frame the roof opening to provide adequate structural support.
6. Position and install the curb around the roof opening location(s), and assure the curb is square by matching measurements from corner to corner.
7. Level the curb by placing shims (thin pieces of wood or metal) under the bottom flange of the curb.
8. Secure curb in place by welding or screwing the curb to the roof.

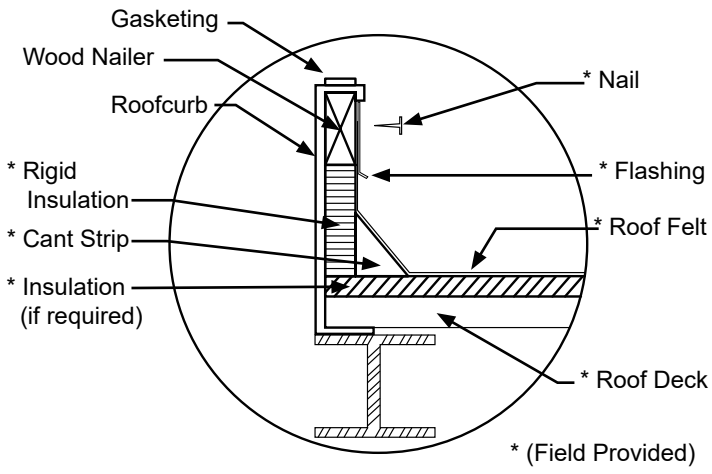
9. Attach ductwork to the curb. Ductwork **MUST** be installed before unit is placed on roof curb. See Table 2 for recommended duct sizes.
10. The roof curb and unit must be sealed completely to prevent any water or air leakages. See Figure 4.
11. Insulate the outside of the curb using rigid insulation between the roof material and the roof curb.
12. Insert the top edge of roofing and flashing material between wood nailer strip and roof curb flange. Nail material to wood nailer on roof curb as required. See Figures 4 and 5.
13. Install supply and return duct into duct openings in roof curb. Refer to Table 2 below.
14. Proceed to applying the gasket material.
15. Properly place the rooftop unit onto the roof curb. Refer to the rooftop unit installation manual for rigging and placement instructions provided by the manufacturer.



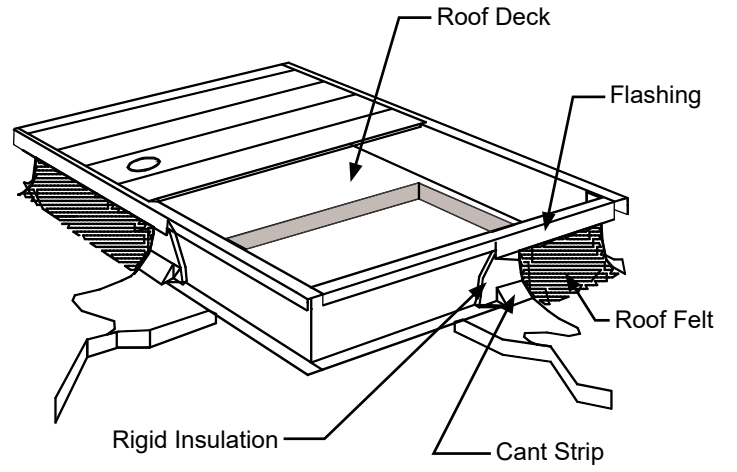
**Fig. 2 - 3 to 6 Ton Roof Curbs**

Recommended Duct Sizes		
Unit Tonnage	Return	Supply
3 to 6	13.8 x 28.5	14.6 x 21.8
7.5 to 12.5	43.0 x 17.2	17.0 x 29.7

**Table 2 - Duct Sizes**



**Fig. 4**



**Fig. 5**

**CUSTOMER FEEDBACK**

Daikin is very interested in all product comments.  
Please fill out the feedback form on the following link:

<https://daikincomfort.com/contact-us>

You can also scan the QR code on the right to be directed to the feedback page.



---

NOTE: SPECIFICATIONS AND PERFORMANCE DATA LISTED HEREIN ARE SUBJECT TO CHANGE WITHOUT NOTICE

© 2019 **DAIKIN MANUFACTURING COMPANY, L.P.**

[www.daikinac.com](http://www.daikinac.com)