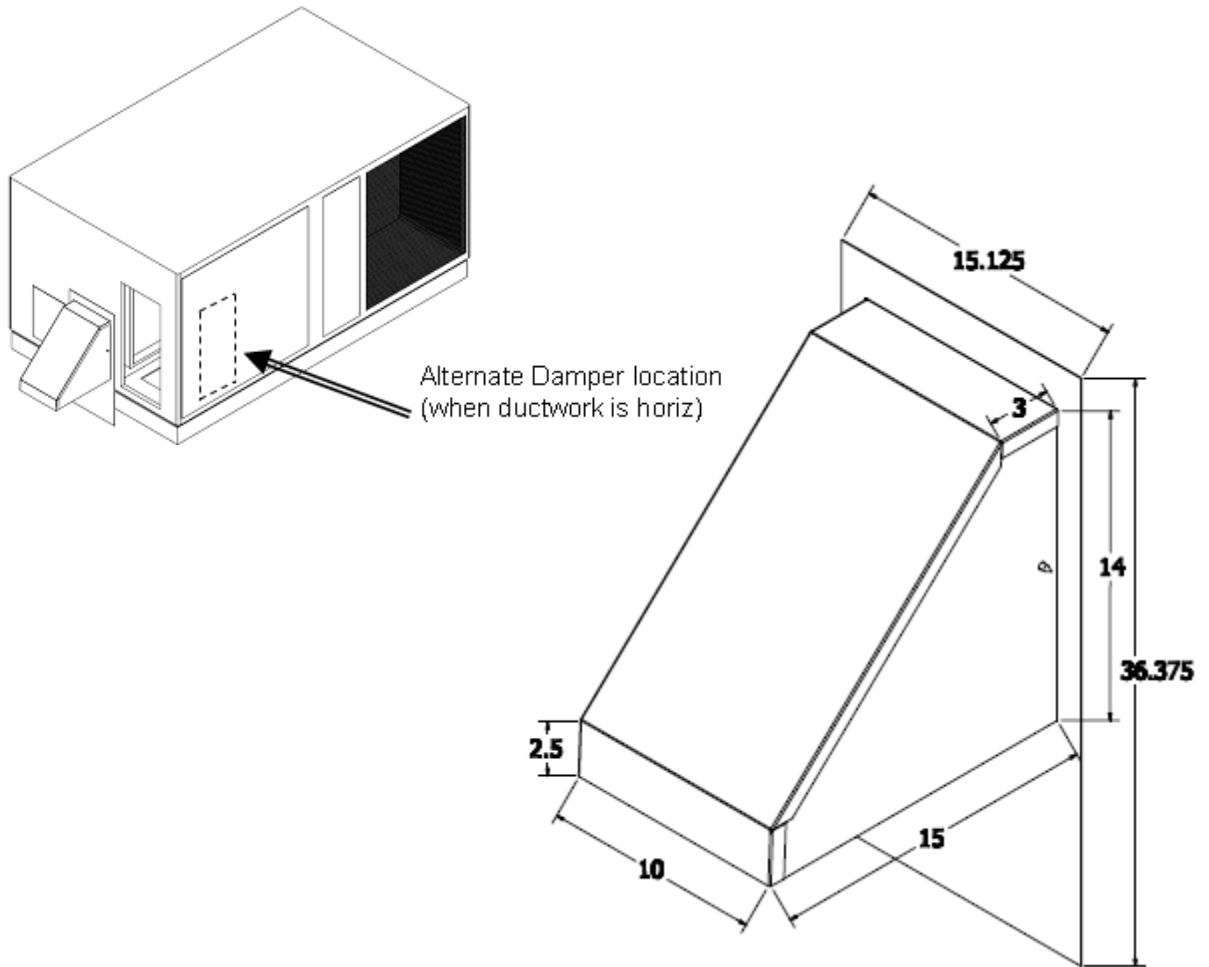


Dimensional Data:

D25FD90150 0-25% Manual Outside Air Damper



SPECIFICATIONS

MANUAL DAMPER

- PROVIDES UP TO 25% FRESH AIR
- LOCKING SELECTION KNOB PROVIDES CONSTANT OPENING

FITS ALL 7.5 - 12.5 TON PACKAGE UNITS IN ALL FUELS

ALL DAMPERS PAINTED TO MATCH THE UNIT