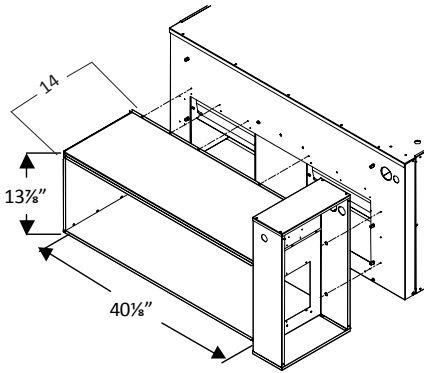


DUCT CONNECTION SIZING WITHOUT ELECTRIC HEATERS

MINIMUM SUPPLY AND RETURN DUCT DIMENSIONS

DIMENSIONAL DATA FOR ELECTRIC HEATER KITS

- 15, 20, & 30 kW Heater Kits
- Supply opening is 13⁷/₈" x 40⁷/₈"



SUPPLY DUCT		RETURN DUCT	
A	B	C	D
13 ⁷ / ₈ "	40"	24"	48"

