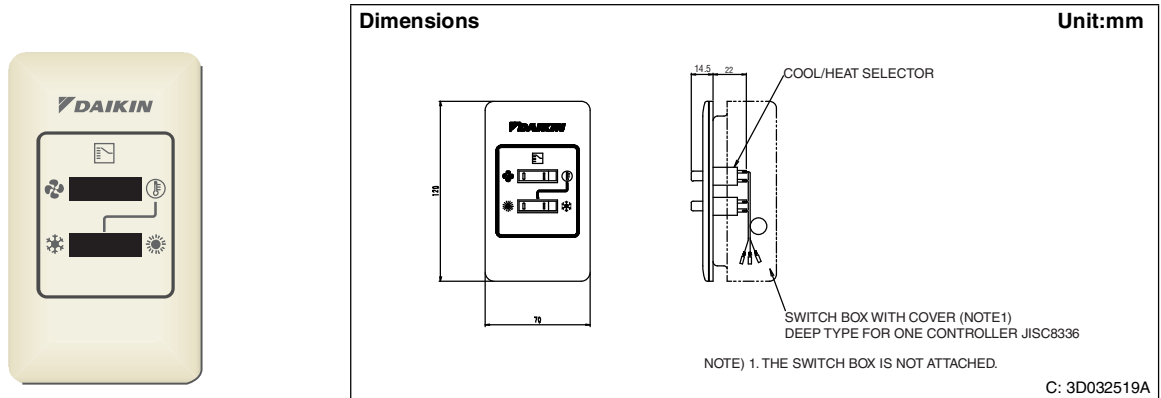


# 1. Cool / Heat Selector

## 1.1 KRC19-26A

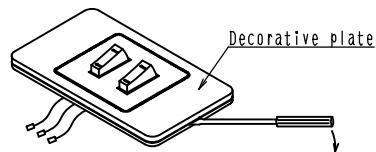
This remote controller has a switch to enable selection of a heating or cooling operation for each outdoor unit or system. The controller can also be used to switch to the fan operation mode, for example, during moderate weather season.



- Basically, this remote controller is not necessary for the Cooling/Heating VRV System and the Cooling Only VRV System.
- When the BS unit that automatically selects either cooling or heating operation mode is used in the manual mode, this remote controller can be connected to the BS unit.

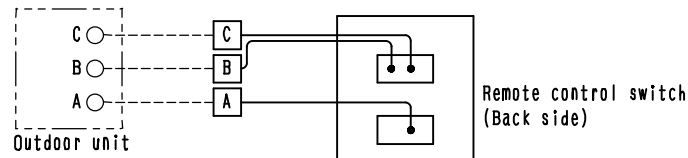
### Installation Point

1. Remove the decorative plate.
  - Insert a (-) screwdriver in the gap between the concaved part of the decorative plate and the remote control switch to open it.

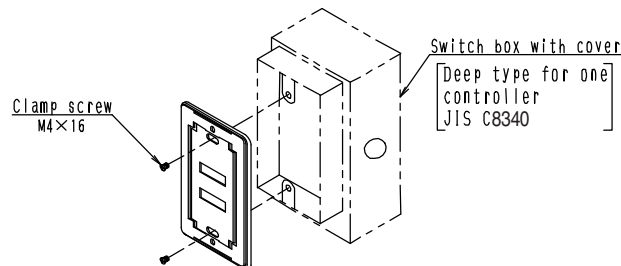


2. Provide the wiring between the remote control switch and the outdoor unit.
  - Connect terminals (A, B, C) on the back side of the remote control switch to terminals (A, B, C) on the outdoor unit.
  - ---- shows field wiring.
  - Use the wires shown below for the wiring.

Kind of wires	Polyvinyl chloride insulated and sheathed cords or cables.
Size of wires	0.75 ~ 1.25mm <sup>2</sup>



3. Attach the remote control switch to the switch box (To be obtained locally) as shown below.



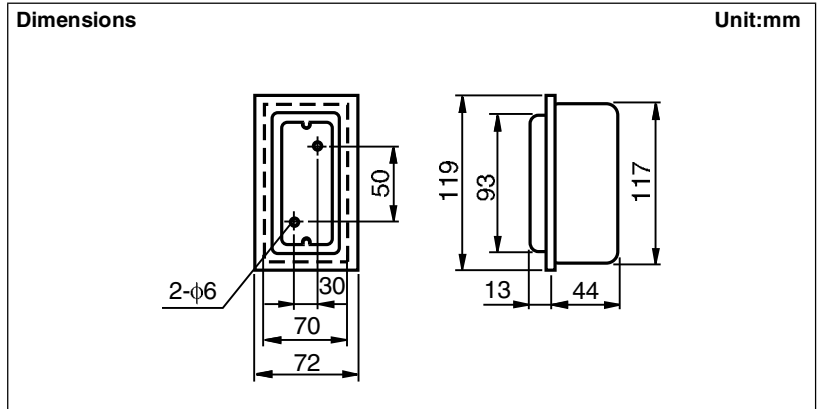
4. Attach the decorative plate.

Note; The switch box and connecting wires are not attached.

C: 3P077945A

## 2. Fixing Box

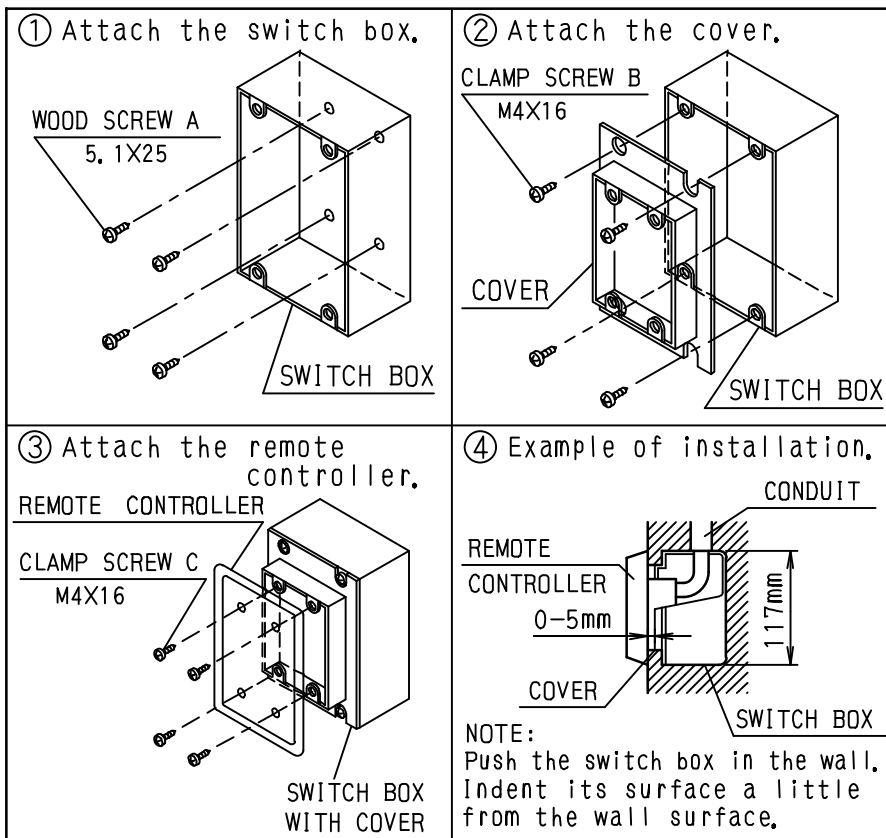
### 2.1 KJB111A



**Component parts**

Name	Switch box	Cover	Wood screw A (5.1x25)	Clamp screw B (M4x16)
Q'ty	KJB111A	1	2	2
Shape				

**Installation**



- NOTES: 1. Refer to the installation of each remote controller.  
 2. Do not bind the lead wires for switch box with the power cord and the link wiring. This may cause erratic operation.  
 3. The remote controller and the clamp screw C are one kit. They are sold separately and attach to the switch box.

**4**  
2.1 KJB111A