

# INSTALLATION MANUAL

---

## Decoration Panel

---

MODEL

**BYCQ54GEFU**

---

Read these instructions carefully before installation.  
Keep this manual in a handy place for future reference.  
This manual should be left with the equipment owner.

---

# CONTENTS

1. BEFORE INSTALLATION .....	1
2. SELECTION OF INSTALLATION LOCATION.....	1
3. PREPARATION OF DECORATION PANEL.....	2
4. INSTALLATION OF DECORATION PANEL.....	3
5. INSTALLATION OF SUCTION GRILLE.....	5
6. INSTALLATION OF CORNER COVER.....	6

## 1. BEFORE INSTALLATION

### (1) NOTE TO INSTALLER

- Have the customer actually operate the air conditioner while looking at the operation manuals attached to the indoor unit and remote controller. Instruct the customer how to operate the air conditioner (particularly cleaning of the air filter, operation procedures, and temperature adjustment).

### (2) PRECAUTIONS

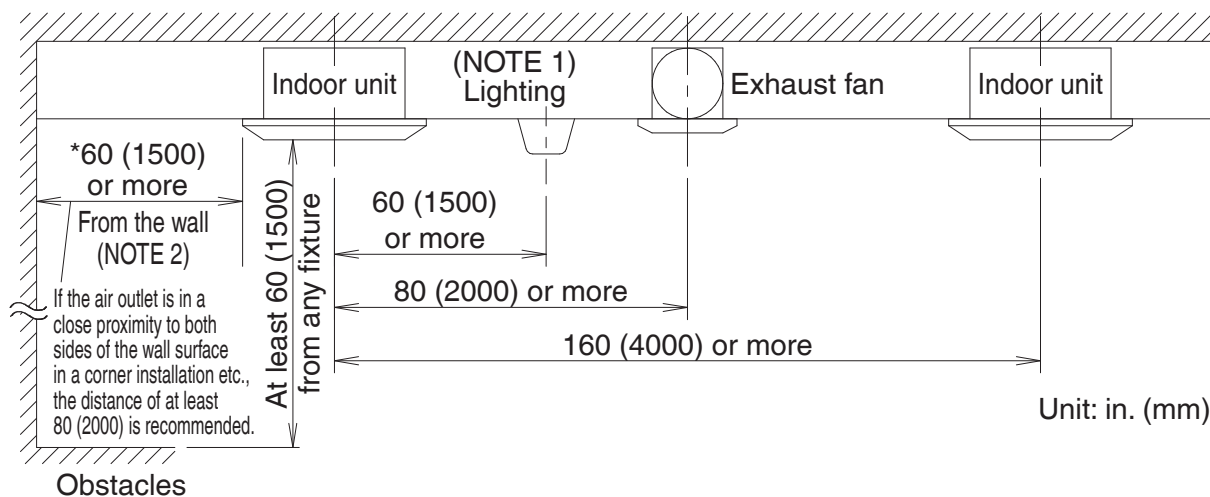
- Refer also to the installation manual attached to the indoor unit.

### (3) ACCESSORY

- Installation manual.

## 2. SELECTION OF INSTALLATION LOCATION

«In this product, the air discharge direction can be selected by closing the air outlet. Should you wish to do so, the sealing material of air discharge outlet kit (sold separately) is required.»  
 If there are exhaust fans, lightings, or machines near the indoor unit that may interfere with air flow, the ceiling may get dirty. So installation should follow the diagram below.



### NOTE

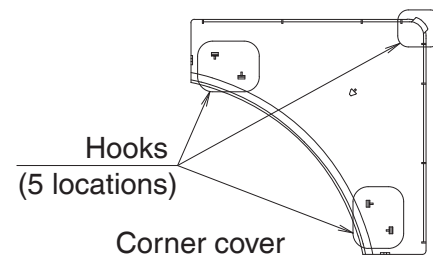
1. This restriction applies to the exposed type lighting, but does not apply to the recessed type (which does not protrude below the ceiling line).
2. When the air outlet was closed, the distance marked with \* should be at least 20 in. (500 mm) and when the corner part (both the right and left sides of the corner part of the air outlet to be closed) as well as the air outlet were all closed, the distance will have to be at least 8 in. (200 mm).
3. For how to set the airflow direction (including airflow block) with the horizontal blade, refer to “Individual Airflow Direction” in the operation manual attached to the remote controller.

### 3. PREPARATION OF DECORATION PANEL

#### (1) Handling of decoration panel

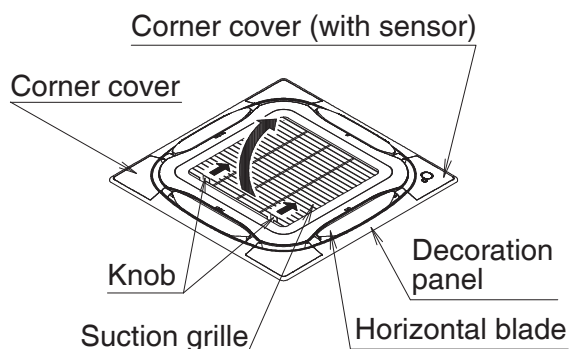
— **CAUTION** —

- Never place the panel facing down the design surface, nor lean the panel against a somewhere, nor leave it on a protruding object. Otherwise, the surface of the panel will be damaged.
- Never touch or apply force on the horizontal blade.  
(The horizontal blade may malfunction.)
- Be careful not to get 5 hooks of the removed corner cover (with sensor) damaged.

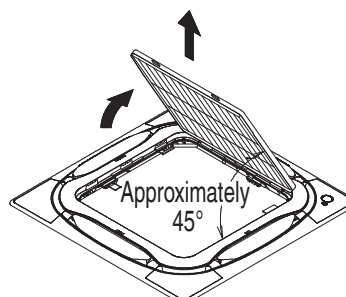


#### (2) Remove the suction grille from the decoration panel.

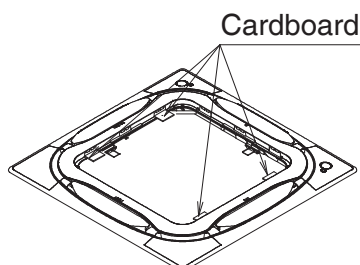
- 1 Press the two knobs on the suction grille and lift the knob side. **(Refer to Fig. 1)**
- 2 Detach the suction grille from the decoration panel by lifting the grille up approximately 45 degrees. **(Refer to Fig. 2)**
- 3 Remove the transporting cardboard (4 locations). **(Refer to Fig. 3)**
- 4 Remove the transporting tape (4 locations) on the back of the suction grille. **(Refer to Fig. 4)**



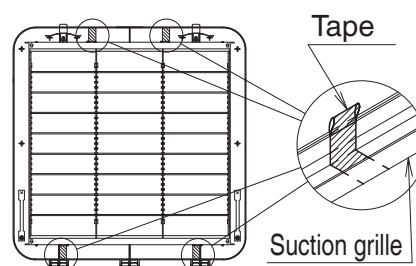
**Fig. 1**



**Fig. 2**



**Fig. 3**



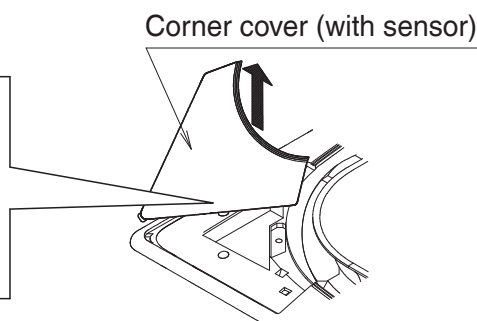
Back of the suction grille

**Fig. 4**

#### (3) Remove the corner cover (with sensor).

- Lift the four corner covers (with sensor) in the direction of the arrow and remove. **(Refer to Fig. 5)**

The corner cover (with sensor) is connected to the decoration panel through a sensor lead wiring. Do not remove the sensor lead wiring from the decoration panel or the decoration cover for sensor part.

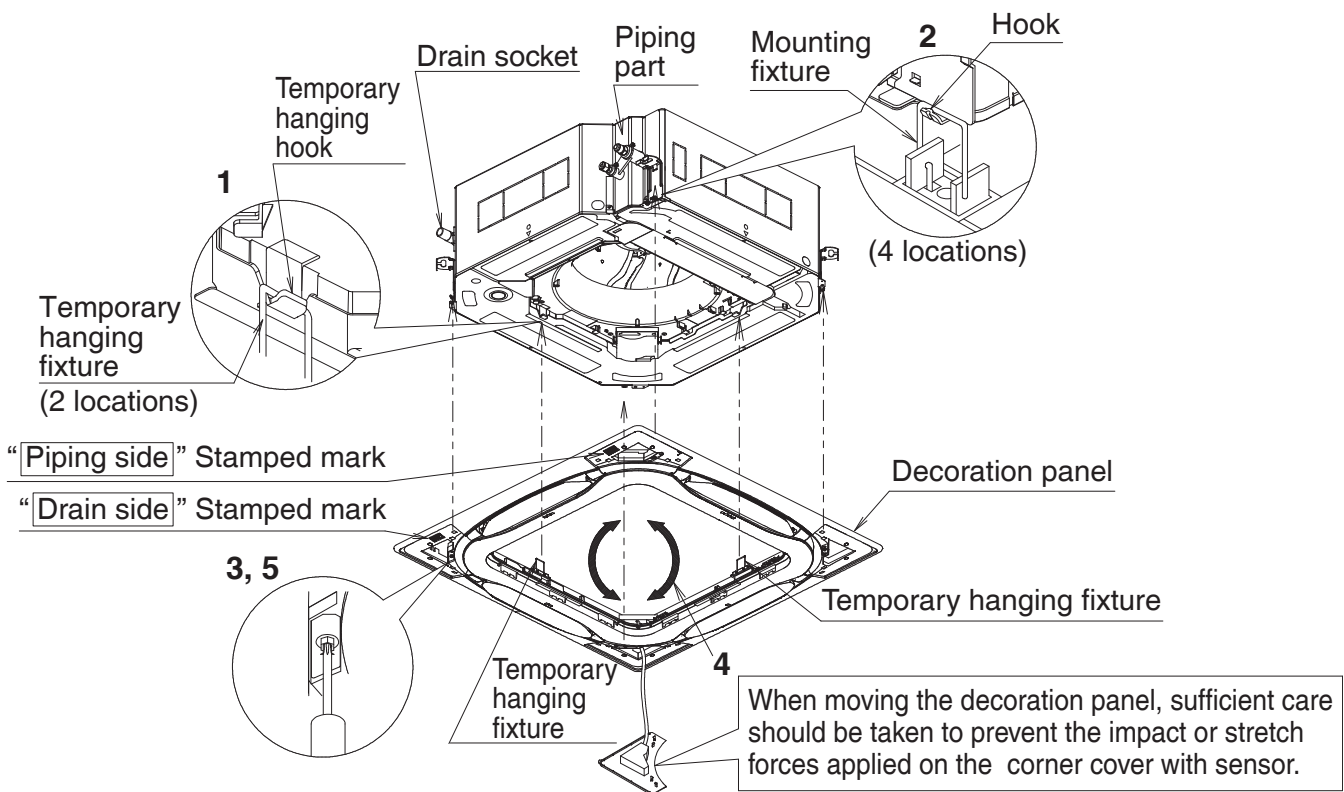


**Fig. 5**

## 4. INSTALLATION OF DECORATION PANEL

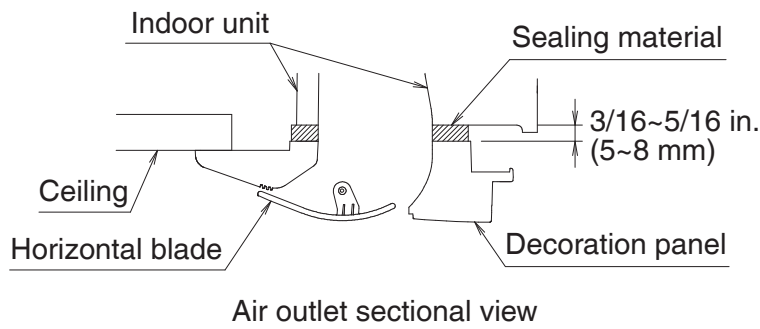
《Refer to the installation manual attached to the indoor unit for the installation of the indoor unit.》

- (1) Match the “PIPING SIDE” and “DRAIN SIDE” displays on the decoration panel with the position of the piping part and drain socket on the indoor unit.
- (2) Install the decoration panel
  - 1 Temporarily install the decoration panel to the indoor unit by hanging the temporary hanging fixtures of the decoration panel to the temporary hanging hooks of the indoor unit. (2 locations)
  - 2 Hook the mounting fixtures on the corners of the decoration panel onto the hooks around the indoor unit (4 locations).  
(Make sure at this time that the horizontal blade motor lead wiring and the sensor lead wiring do not get caught between the decoration panel and the indoor unit.)
  - 3 Screw all 4 hexagon head screws located beneath the mounting fixtures in approximately 3/16 in. (5 mm). (Panel will rise.)
  - 4 Adjust the decoration panel by turning it to the arrowed direction in **Fig. 6** so that the ceiling opening is completely covered.



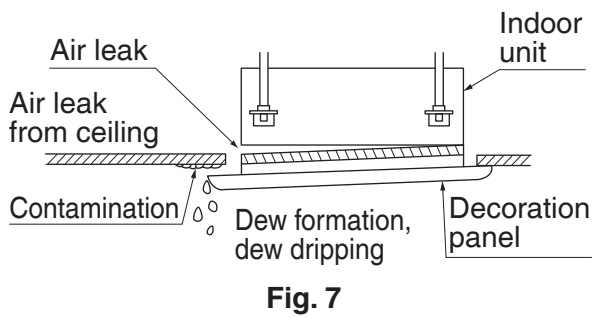
**Fig. 6**

- 5 Tighten the screws until the thickness of the sealing material between the decoration panel and the indoor unit reduces to 3/16~5/16 in. (5~8 mm).

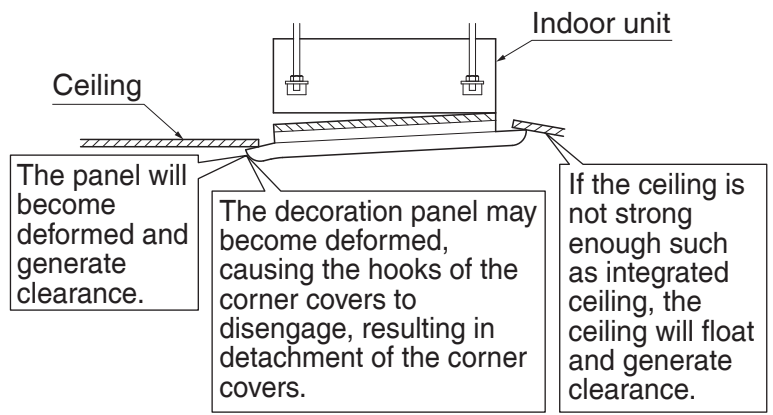


### [ PRECAUTIONS ]

- Make sure there is no clearance between the indoor unit and decoration panel and between the ceiling and decoration panel.



**Fig. 7**



**Fig. 8**

If there is clearance, it may cause failure such as **Fig. 7**.

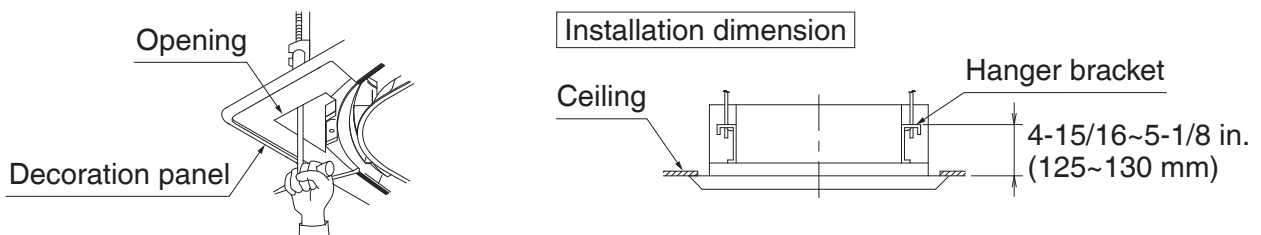
- If the screws are not screwed in tightly enough, firmly tighten the screws described in the previous page so that there is no clearance. If there is still clearance between the ceiling and the decoration panel even after tightened the screws, readjust the height of the indoor unit.
- Readjust so that the suspended height of the indoor unit drops toward the ceiling.

If the position of the indoor unit is too high, it may generate clearance as **Fig. 8**.

- Loosen the screws and readjust the length of tightening.
- If the integrated ceiling is not strong enough and there is still clearance after the adjustments described above, reinforce the area around the opening so that it is strong enough.

**NOTE**

Adjustment of the indoor unit height from the opening in the corner of the decoration panel is possible if the indoor unit is kept leveled and the drain piping, etc. is unaffected.



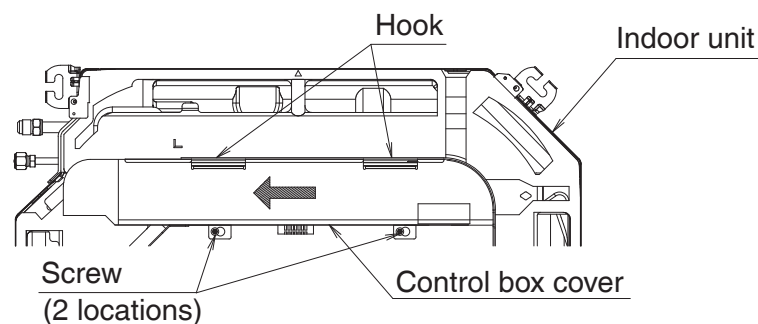
**(3) Wiring of the decoration panel (Refer to Fig. 9)**

**CAUTION**

**Before wiring, be sure to turn off all power supply switches.**

**<When installing the decoration panel simultaneously with the indoor unit wiring.>**

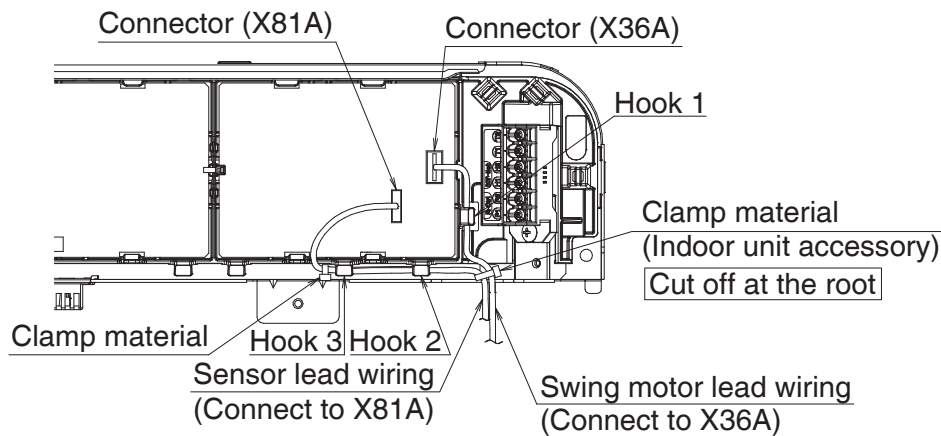
- 6 Remove the control box cover of the indoor unit.



Loosen the two screws, slide the cover in the direction of the arrow, and disengage from the hooks.

- 7 Route the swing motor lead wiring coming out of the decoration panel under hook 1, and then securely connect it to the printed circuit board connector (X36A) of the indoor unit control box. Route the sensor lead wiring under hook 2 and hook 3, and then securely connect it to the connector (X81A) after attaching the clamp material, as shown in the figure. Tighten the swing motor lead wiring and the sensor lead wiring with the clamp material (included in the indoor unit) at the side of the hook 2. After tightening the clamp material, cut off the excess material at the root.

**The sensor and the horizontal blades do not operate unless the connectors are connected.**



- 8 Attach the control box cover of the indoor unit. Tighten the screws by the tightening torque of  $0.81 \pm 0.15$  lbf.ft. ( $1.1 \pm 0.2$  N·m).

**Make sure that the swing motor lead wiring and the sensor lead wiring are not caught between the control box and its cover.**

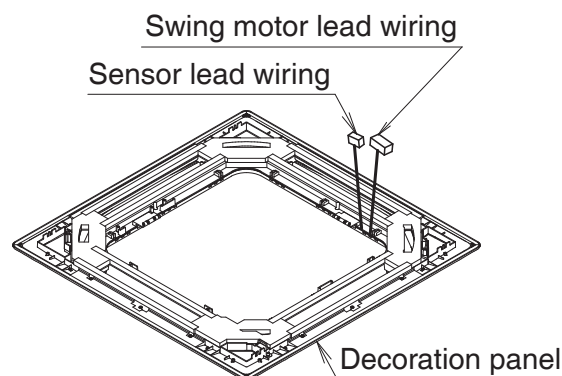


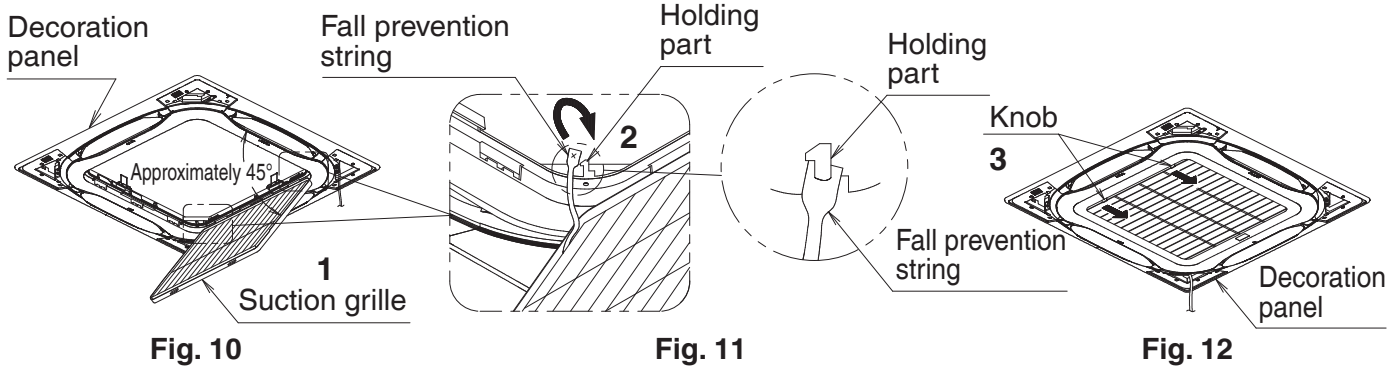
Fig. 9

## 5. INSTALLATION OF SUCTION GRILLE

It is possible to install the suction grille in 4 directions by turning the suction grille. Change the direction when adjusting the direction of the suction grilles of multiple units or in meeting customers' demands.

### Attach the suction grille.

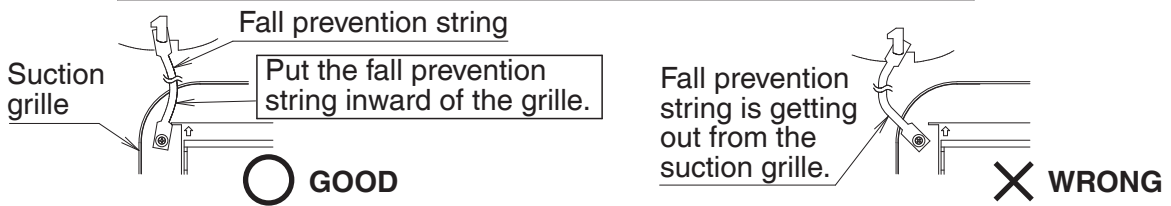
- 1 Hook on the suction grille into 3 hooks of the decoration panel by lifting the grille up approximately 45 degrees. (Refer to Fig. 10)
- 2 Hook the fall prevention string of the suction grille into the holding part of the decoration panel after the fall prevention string is turned around as shown in the figure below (2 locations). (Refer to Fig. 11)
- 3 Slowly lift the suction grille, and finally, securely fasten it to the main body of the decoration panel, while pressing the two knobs. (Refer to Fig. 12)



**NOTE**

The fall prevention strings may be caught when the suction grille is closed. Before closing the suction grille, ensure that the fall prevention strings are not getting out from the side of the suction grille.

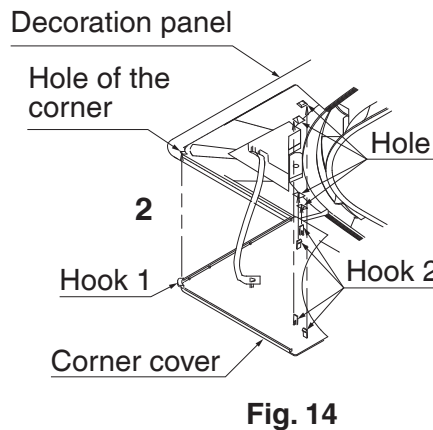
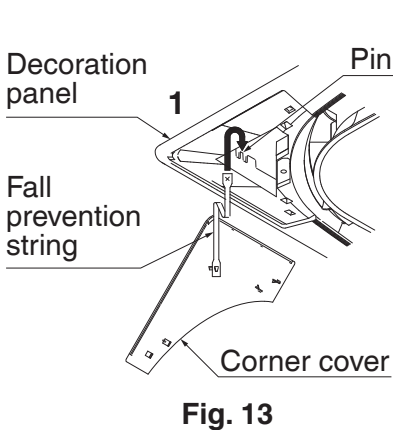
Before closing the suction grille, put the fall prevention string inward of the grille so that it does not get out of the grille.



## 6. INSTALLATION OF CORNER COVER

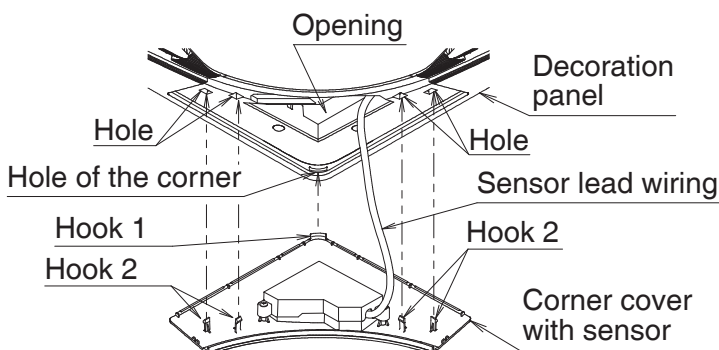
Attach the corner covers.

- 1 Attach the fall prevention string of the corner cover to the pin of the decoration panel. (Refer to Fig. 13)
- 2 Install the corner cover over the decoration panel. (Refer to Fig. 14)



Firstly insert the hook 1 into the hole of the corner then insert the rest hook 2 into each hole (4 locations).

- 3 Attach the corner cover with sensor to the decoration panel. Then, store the sensor lead wiring inside of the ceiling through the opening.



After inserting the hook 1 into the hole of the corner, mount the hook 2 (4 locations) by fitting into the holes.

Ensure that the sensor lead wiring is not entrapped in between the decoration panel and the corner cover with sensor.

**DAIKIN COMFORT TECHNOLOGIES MANUFACTURING, L.P.**

Daikin Texas Technology Park,  
19001 Kermier Road,  
Waller, TX, 77484, U.S.A.

