

INSTALLATION MANUAL

Self Cleaning Decoration Panel

MODEL

BYCQ54GEGFU


Read these instructions carefully before installation.
Keep this manual in a handy place for future reference.
This manual should be left with the equipment owner.


1. SAFETY CONSIDERATIONS

Please read these "SAFETY CONSIDERATIONS" carefully before installing air conditioning equipment and be sure to install it correctly. After completing installation, conduct a test operation to check for faults and explain to the customer how to operate the air conditioner and take care of it with the aid of the operation manual. Ask the customer to store the installation manual along with the operation manual for future reference.

This air conditioner comes under the term "appliances not accessible to the general public".

Meaning of WARNING and CAUTION notices.

 **WARNING**.... . Failure to follow these instructions properly may result in personal injury or loss of life.

 **CAUTION**..... . Failure to observe these instructions properly may result in property damage or personal injury, which may be serious depending on the circumstances.

WARNING

- Ask your dealer or qualified personnel to carry out installation work.
Do not attempt to install the air conditioner yourself. Improper installation may result in water leakage, electric shock or fire.
 - Perform installation work in accordance with the instructions in this installation manual. Do not modify the product.
Improper installation may result in water leakage, electric shock, or fire.
 - Be sure to use only the specified accessories and parts for installation work.
Failure to use the specified parts may result in the unit falling, water leakage, electric shock or fire.
 - Make sure that specified wires are used and that there is no strain on the terminal connections or wires.
Improper connections or securing of wires may result in abnormal heat radiation or fire.
 - Be sure to switch off the unit before touching any electrical parts.
 - Arrange the lead wires of the provided harness so that the control box cover of the indoor unit will not rise, and attach the cover securely.
Heat radiation, electric shock, or fire may result if the control box cover is not attached properly.
 - Tear up and dispose of the plastic bag.
Children playing with the plastic bag may be suffocated.
-

CAUTION

- Install the indoor and outdoor units, power supply wiring, remote controller wiring, and transmission wiring at least 3.5 ft. (1 m) away from TV or radio sets. This is for the prevention of TV and radio interference.
(Depending on the incoming signal strength, a distance of 3.5 ft. (1 m) may not be sufficient to eliminate noise.)
- Pay the utmost attention to the transportation of the product. Hold the handles on the package to carry the product. Do not carry the package with the polypropylene band on the package held, which will be dangerous because the polypropylene band may be deformed.
- Do not touch the fin of the heat exchanger. Touching the fin improperly may result in injury.
- Do not turn the product power off immediately after the operation of the product comes to a stop. Always wait for at least 5 minutes before turning the product power off. Otherwise, water leakage and malfunctions may result.
- Do not install the air conditioner in the following locations:
 1. Where there is a high concentration of mineral oil spray or vapor (e.g. a kitchen).
Plastic parts will deteriorate, parts may fall off and water leakage could result.
 2. Where corrosive gas, such as sulphurous acid gas, is produced.
Corroding of copper pipes or soldered parts may result in refrigerant leakage.
 3. Near machinery emitting electromagnetic radiation.
Electromagnetic radiation may disturb the operation of the control system and result in a malfunction of the unit.
 4. Where flammable gas may leak, where there is carbon fibre or ignitable dust suspensions in the air, or where volatile flammables such as paint thinner or gasoline are handled.
Operating the unit in such conditions may result in fire.

2. INSTRUCTIONS PECULIAR TO THIS PRODUCT

Note

The product requires periodic maintenance.

Do not use the product in the following places.

Otherwise, dust adhering to the filter may not be removed and a malfunction may result because the dust can become sticky due to oil, tobacco smoke, and steam.

- Places where oil smoke is generated: Restaurants, factories, etc.
- Smoking areas: Smoking room, etc.
- Places with excessive special spray vapor or steam: Barbershops, beauty salons, restaurants, laundry shops, pet shops, factories, etc.
- Other places: Places where dust adhering to the filter becomes sticky (places including salt damage from a salty atmosphere), places where dust is generated (because the air filter cannot collect dust), server rooms (the product is not in operation during cleaning), or places where a large quantity of fine dust is generated (the air filter is clogged and the filter needs to be cleaned frequently).

* Use the standard series for the air conditioning of the customer areas of restaurants and cafeterias.

* The product may not be used in cases other than the above. For details, contact your dealer.

Note

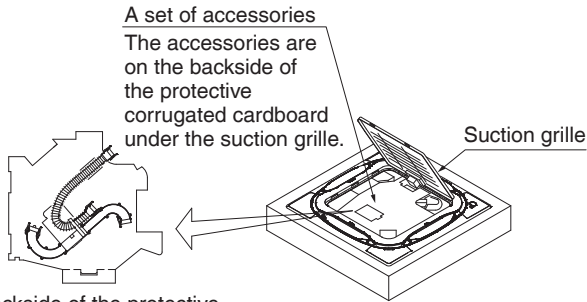
- Have the customer actually operate the air conditioner while referring to the operation manual and explain the right operation of the air conditioner with useful tips given.
- Refer to the operation manual along with the installation manual provided with the indoor unit.

CONTENTS

1. SAFETY CONSIDERATIONS.....	i
2. INSTRUCTIONS PECULIAR TO THIS PRODUCT.....	i
3. ACCESSORY.....	2
4. SELECTION OF INSTALLATION LOCATION.....	2
5. PREPARATIONS FOR DECORATION PANEL.....	4
6. PREPARATIONS FOR INDOOR UNIT.....	5
7. ATTACHING DECORATION PANEL TO INDOOR UNIT.....	6
8. ATTACHING SUCTION GRILLE AND CORNER COVERS.....	9
9. OPERATION MODE SETTINGS.....	12
10. FIELD SETTINGS.....	12
11. TEST OPERATION.....	13

3. ACCESSORY

Check that the following accessories provided with the air conditioner are correct in number. See the following illustration, which shows where the accessories are kept.



Backside of the protective corrugated cardboard

Name	Spacer	Flexible hose	S-shaped pipe	Harness (1)	Harness (2)
Quantity	1 pc.	1 pc.	1 pc.	1 pc.	1 pc.
Shape	(A)	(B)	(C)	(D)	(E)

Name	Harness (3)	Clamp	Seal	Glass tube	Glass tube
Quantity	1 pc.	5 pcs.	1 pc.	1 pc.	1 pc.
Shape	(F)	(G)	(H)	(J) φ 1-3/16 in. (30 mm)	(K) φ 1 in. (25 mm)

Others
<ul style="list-style-type: none"> • Operation manual • Installation manual

Pay the utmost attention to the following items when conducting installation work, and recheck the items on completion of the work.

a. Test items on completion of work

Test items	In case of failure	Result
Is the air conditioner free of wiring and connection mistakes or omissions?	Operation failure and wire burnout	
Are you sure that there is no space between the ceiling and ceiling material?	Water leakage	
Are the knobs (2 locations) for fixing the dust box secured tightly?	Vibration, noise, and dust collection failure	
Are the fixed knobs (5 locations) of the air filter secured tightly?	Vibration, noise, and dust collection failure	
Is the fall prevention string for the dust box and grille hooked to the mounting bracket?	Fall	
Did you attach the control box cover, dust box, flexible hose, S-shaped pipe, suction grille, and corner covers?	Noise and dust collection failure	

* Be sure to recheck the items provided in the section "1. SAFETY CONSIDERATIONS" on page i

b. Test items before delivery

Test items	Result
Was the test operation of the air conditioner finished?	
Did you explain the operation method of the air conditioner to the customer while showing the customer the operation manual? *	
Did you make mode settings for filter auto-cleaning (automatic control operation settings or timer operation settings with an operation time zone specified) and provide information on the set mode operation of the air conditioner to the customer?	
Did you deliver the operation manual to the customer? (Be sure to hand the customer the operation manual as well as the installation manual.)	

* Point of operation explanation

In addition to the general usage of the air conditioner, it is necessary to explain the descriptions of the ⚠ WARNING and ⚠ CAUTION marked items in the operation manual and have the customer read the descriptions carefully, because these items indicate information that, if not heeded, is likely to result in loss of life, serious injury, or property damage.

4. SELECTION OF INSTALLATION LOCATION

<<In this product, the air discharge direction can be selected by closing the air outlet. Should you wish to do so, the sealing material kit (sold separately) is required.>>

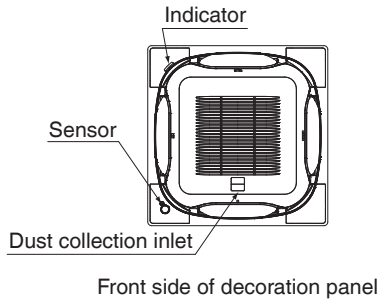
This product offers selectable air outlet directions. The sealing material kit (an optional accessory) is required to achieve three-way flow patterns. Two-way flow patterns are not available to this product.

4-1 Select the installation site that meets the following conditions with the consent of the customer

- The surface of the ceiling is not inclined.
- Installation and service workspace is secured (see the following illustrations).
- The decoration panel indicators are seen with ease.
- The indoor and outdoor units, power supply wiring, transmission wiring, and remote controller wiring are at least 3.5 ft. (1 m) away from TV or radio sets.
(The above is for the prevention of TV and radio interference. Depending on the incoming signal strength, a distance of 3.5 ft. (1 m) may not be sufficient to eliminate noise.)

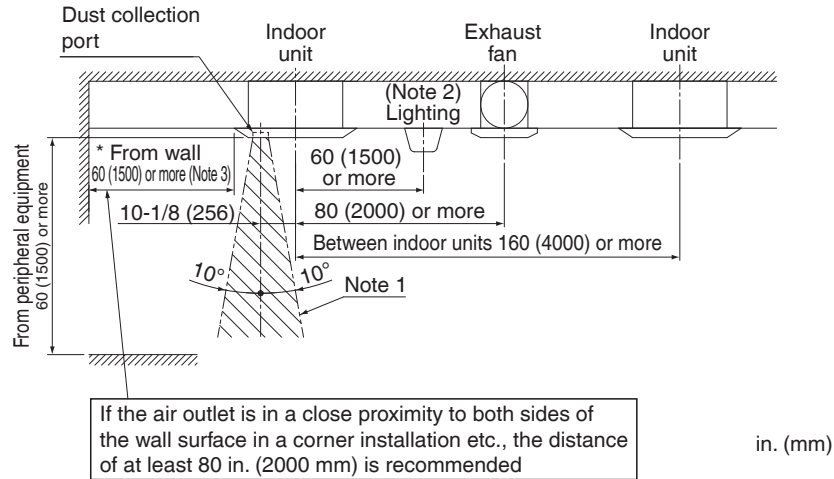
4-2 Required installation space

Install the indoor unit according to the installation manual and the following illustrations.



[Required installation space]

Refer to the installation instructions of the indoor unit and install the product according to the following figure.

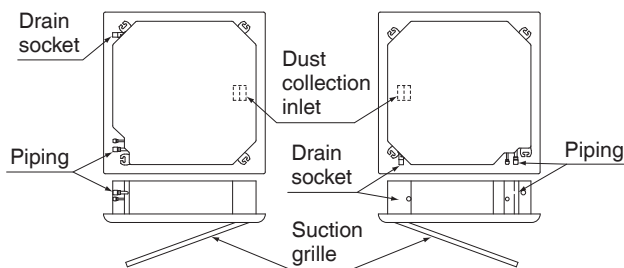


Note:

1. A space to allow dust vacuuming is required.
2. This restriction applies to the exposed type lighting, but does not apply to the recessed type (which does not protrude below the ceiling line).
3. The clearance from the wall* will be 20 in. (500 mm) or more if the air outlet is closed or the horizontal blade is controlled to "Blocked". In addition, it will be 8 in. (200 mm) if the air outlet and the both right and left corners are all closed.
4. Refer to the operation manual provided with the remote controller for a setting method of the airflow directions of the horizontal blade **Individual Airflow Direction**.

4-3 Mounting directions of suction grille

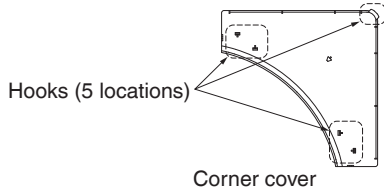
Select one of the following mounting directions of the suction grille on the decoration panel.



5. PREPARATIONS FOR DECORATION PANEL

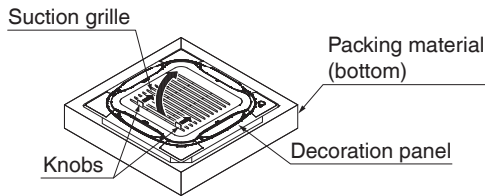
Note

- Perform all the required work with the decoration panel kept in the packing material (on the bottom side).
- Do not put the decoration panel downward or upright or leave the decoration panel on protruding parts. Otherwise, scratch damage to the surface of the decoration panel may result.
- Do not touch the horizontal blade and do not apply any force on the horizontal blade. This may result in malfunction of the unit.
- Be careful not to damage the hooks (5 locations) of the removed corner covers.

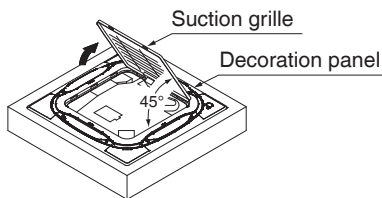


5-1 Removal of suction grille from decoration panel, protective corrugated cardboard, and set of accessories

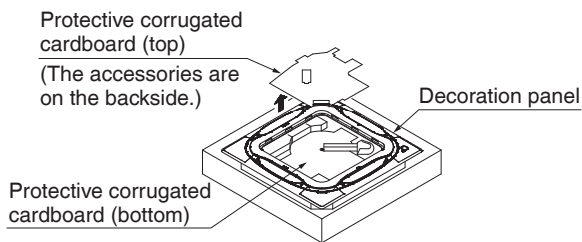
- (1) Press the knobs of the suction grille and lift up the knobs.



- (2) Open the suction grille to an angle of approximately 45° and remove the suction grille from the decoration panel.

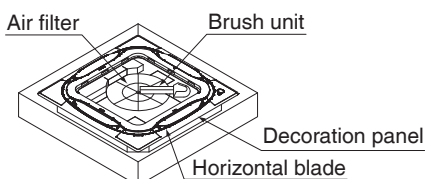


- (3) Take out the protective corrugated cardboard (on top of the decoration panel) together with the accessories attached to the backside of the protective corrugated cardboard.

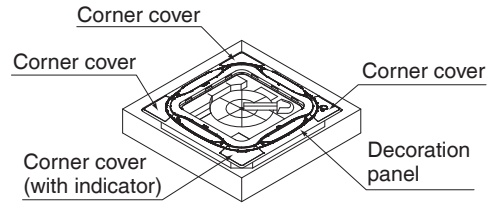


Note

Do not impose force on the horizontal blade, brush unit, or air filter when handling the decoration panel.



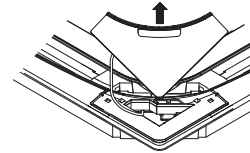
5-2 Removal of corner covers



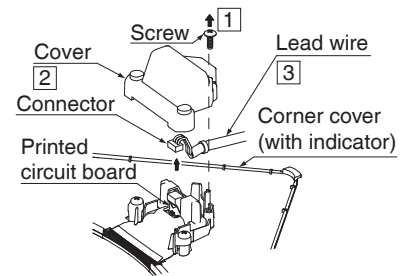
- (1) Raise and remove the corner cover (with indicator) in the direction of the arrow.

Note

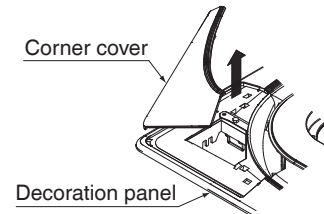
Do not impose force on the lead wire.



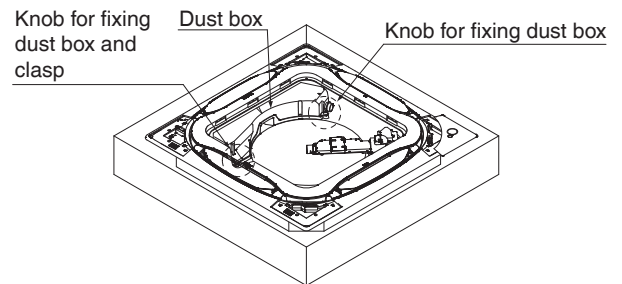
- (2) Remove the screw on the backside of the corner cover (with indicator), open the cover, and remove the connector attached to the front end of the lead wire from the printed circuit board.



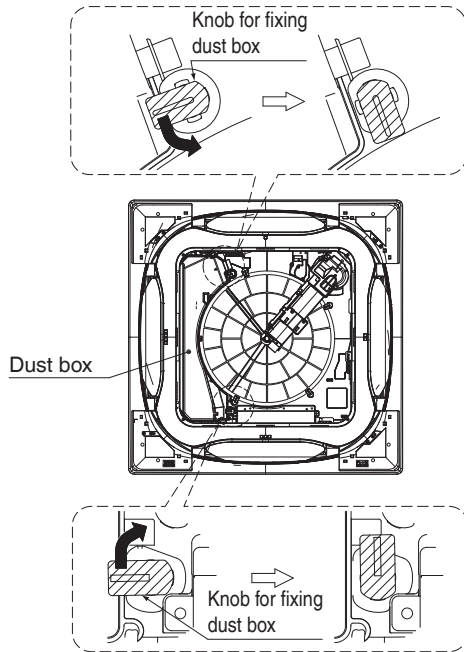
- (3) Remove the other remaining corner covers (three covers) in the direction of the arrow.



5-3 Removal of dust box

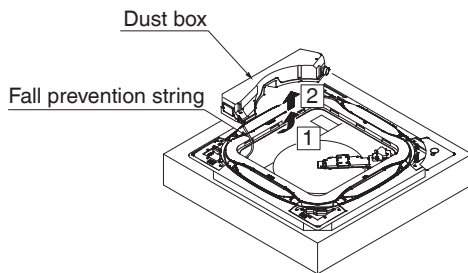


(1) Turn the 2 knobs for fixing the dust box.

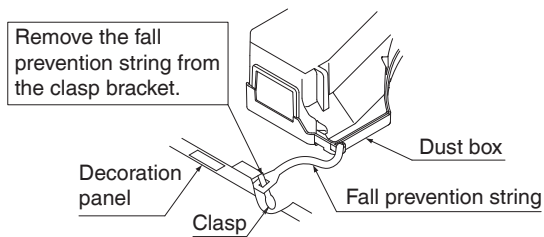


(The front side of the decoration panel is shown for ease of explanation.)

(2) Remove the dust box from the decoration panel while paying attention not to cut the fall prevention string.



(3) Remove the fall prevention string for the dust box from the clasp bracket of the decoration panel.



6. PREPARATIONS FOR INDOOR UNIT

⚠ WARNING

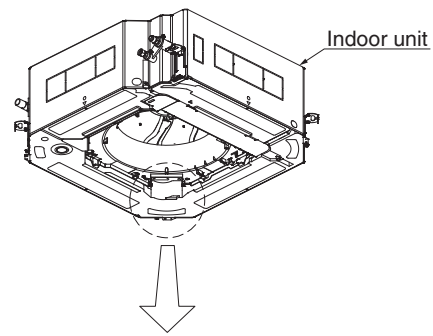
Check that the indoor and outdoor units are turned power off before conducting wiring work.

Otherwise, it may result in an electric shock.

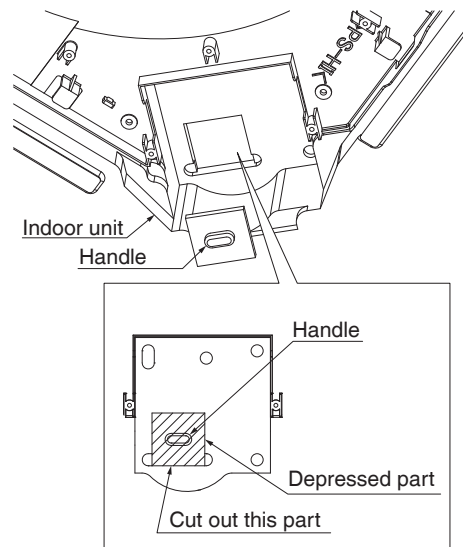
⚠ CAUTION

- Conduct the following work after installing the indoor unit.
- Install the indoor unit according to the installation manual provided with the indoor unit.

6-1 Attaching spacer (Accessory A)

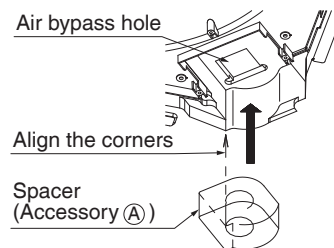


(1) Using a cutter, cut out the depressed part. Be sure to cut while holding the handle so that the cut-out part does not fall inside the indoor unit.



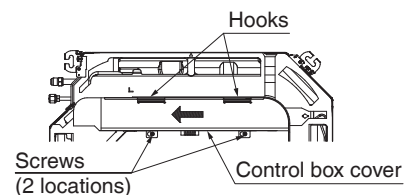
(2) Peel off the release paper of the double-stick tape on the backside of the spacer (Accessory A).

(3) Attach the spacer (Accessory A) on the air bypass hole.



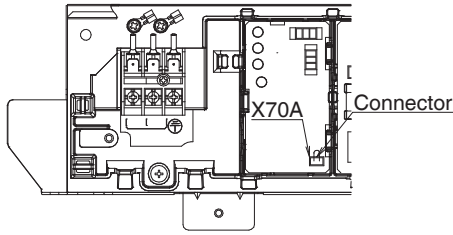
6-2 Attaching harness (1) (Accessory D)

(1) Remove the control box cover from the indoor unit.

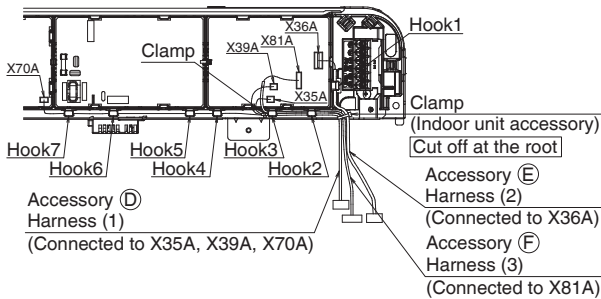


Loosen the screws (2 locations), slide the control box cover in the direction of the arrow and unhook the cover.

- (2) Disconnect the connector connected to X70A. Hold the hook and release the lock to disconnect the connector. The disconnected connector is no longer required.



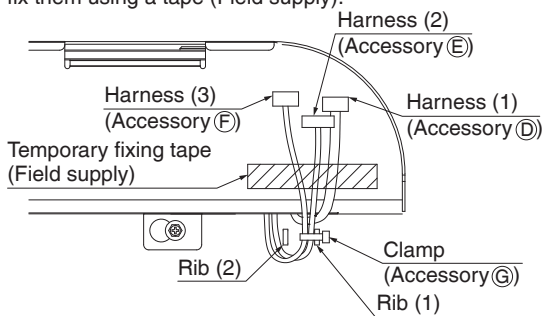
- (3) Route harness (1) under hook 2 and hook 3, and then connect it to the connectors (X35A, X39A) after attaching the clamp material to hook 3 as shown in the figure. After this, route it under hooks 4 to 7 and then connect it to the connector (X70A).
Route harness (2) under hook 1 and then connect it to the connector (X36A).
Route harness (3) under hook 2 and hook 3, and then connect it to the connector (X81A).
Using the clamp (provided with the indoor unit), tighten harnesses (1), (2) and (3) adjacent to hook 1. After tightening, cut the excess portion of the clamp from its root.



Note

Make sure that the connectors are securely connected, or otherwise the horizontal blade, brush unit, or air filter will not work.

- (4) Attach the control box cover in the order opposite to the procedure in “6-2 Attaching harness (1) (Accessory (D))” on page 5.
Tighten the screws with a tightening torque of $1.1 \pm 0.2 \text{ N}\cdot\text{m}$.
Fasten harnesses (2) and (3) to the rib (1) of the indoor unit using the clamp (Accessory (G)). Draw harnesses (1), (2) and (3) so that their connectors are over the control box cover, and fix them using a tape (Field supply).



WARNING
Arrange the electric wires neatly and attach the control box cover securely.

The electric wires being caught or the rising of the control box cover may result in an electric shock or fire.

7. ATTACHING DECORATION PANEL TO INDOOR UNIT

Install the indoor unit by referring to the installation manual provided with the indoor unit.

Note

Do not impose force on the horizontal blade, brush unit, or air filter when taking out the decoration panel from the packing material (on the bottom side).

7-1 Checks before attaching decoration panel

- Check the directions of the indoor unit and the engraved marks on the decoration panel as shown below.
The piping block to the **PIPING SIDE** and the drain socket to the **DRAIN SIDE**.
- Stand the temporary latching bracket upright.
- Draw out the lead wires (on the decoration panel side) from the opening.

7-2 Attaching decoration panel

- (1) Tentatively put the two temporary latching brackets of the suction port of the decoration panel (on the internal circumference side) to the hooks of the indoor unit.

Note

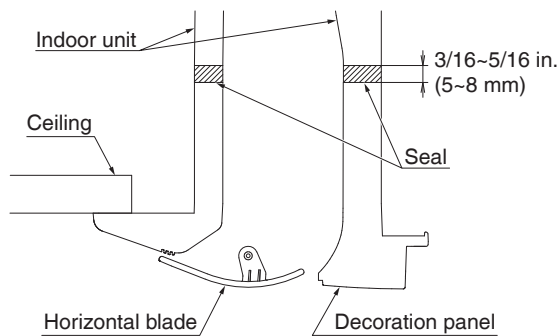
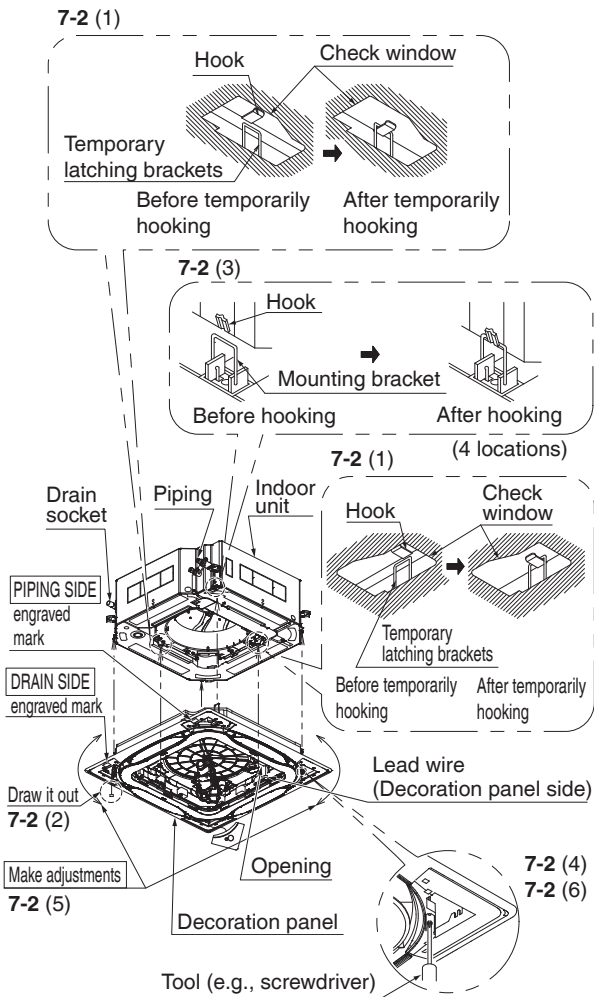
Let go your hands after confirming through the check window that the temporary latching brackets are engaged with the hooks.

- (2) Draw out the lead wiring of the corner cover (with indicator) and corner cover (with sensor) removed in “5. PREPARATIONS FOR DECORATION PANEL” from the corner hole while paying attention not to catch it in the mounting bracket.
- (3) Hook the mounting brackets on the corners of the decoration panel (4 locations) to the hooks on the indoor unit perimeter. (Hook the mounting brackets on the side engraved with **PIPING SIDE** first, and then hook the mounting brackets on the opposite angle side.)
When hooking, pay attention not to catch harnesses (1), (2) and (3), the lead wiring (on the decoration panel side) and the sensor lead wiring between the decoration panel and the indoor unit.

Note

Let go your hands after confirming that the mounting brackets are engaged with the hooks.

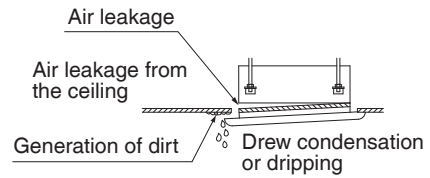
- (4) Tighten the four hexagon head screws right under the mounting bracket for approximately 3/16 in. (5 mm). (The decoration panel will move upward.)
- (5) Turn the decoration panel in the directions of the arrows so that the opening on the ceiling will be perfectly covered by the decoration panel.
- (6) Also, tighten the screw (4) until the thickness of the sealing material between the decoration panel and the indoor unit is compressed to 3/16 to 5/16 in. (5 to 8 mm).



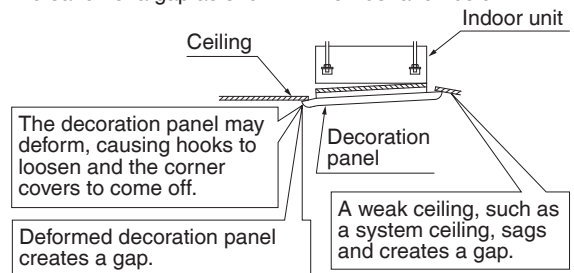
Cross-sectional view of the air outlet

Note

- Tighten the screws securely, or otherwise a defect as shown below may result.
- Readjust the height of the indoor unit if there is a space between the ceiling and decoration panel with the screws tightened securely.

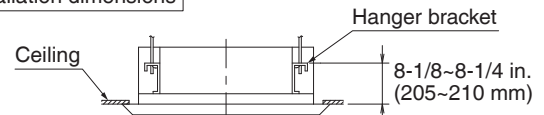


- Suspending the indoor unit too high may lead to the creation of a gap as shown in the illustration below.

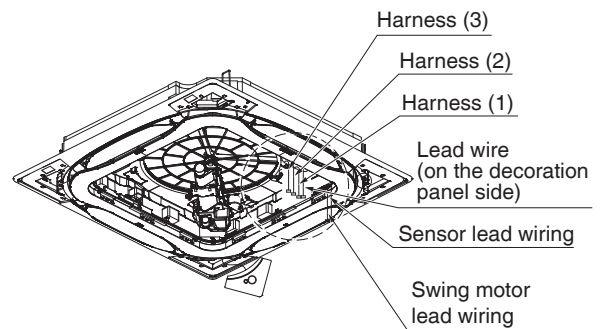


Height adjustments to the unit will be possible through the holes on the corners of the decoration panels without removing the decoration panel, provided that the adjustments does not affect the levelness or the drain piping of the indoor unit. Refer to the installation manual of the indoor unit to conduct the work.

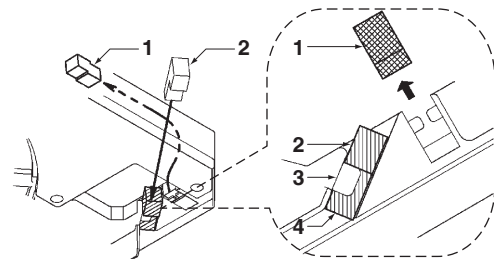
Installation dimensions



7-3 Wiring work for decoration panel

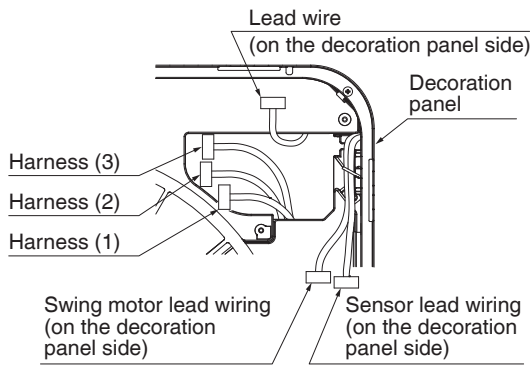


(1) Remove the seal of decoration panel.

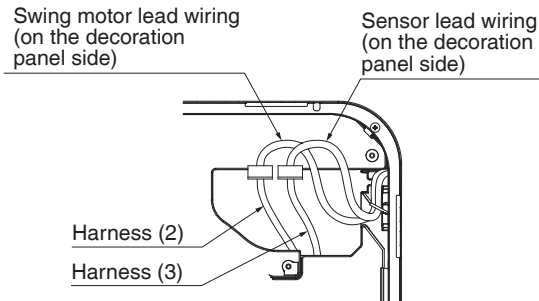


- 1 Remove seal of decoration panel
- 2 Insert the seal until the seal comes in contact with the clamp
- 3 Clamp
- 4 Seal (Accessory ④)

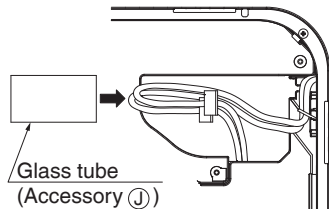
- (2) Draw the harness and lead wires (on the decoration panel side).
Remove the temporary fixing tape attached in "6. PREPARATIONS FOR INDOOR UNIT" from harnesses (1), (2) and (3), and draw them out from the control box together with the lead wiring (on the decoration panel side).



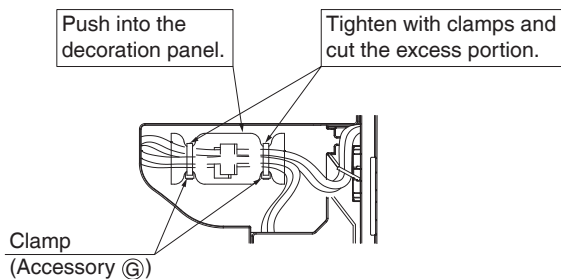
- (3) Connect harness (2) to the swing motor lead wiring (on the decoration panel side) and harness (3) to the sensor lead wiring (on the decoration panel side).



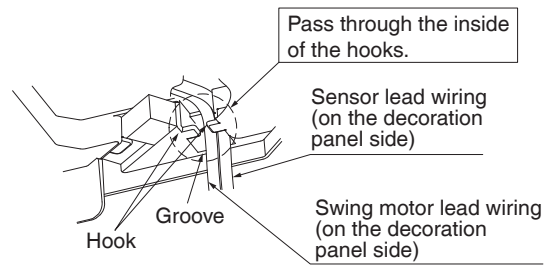
- (4) Bend the connected lead harnesses and pass them through the glass tube (Accessory J).



- (5) Enclose and secure the connectors in the glass tube by tightening both ends of the glass tube with the provided clamps (Accessory G).
After tightening, push the harnesses into the decoration panel.
After securing, cut the excess portion of the clamps from their root.



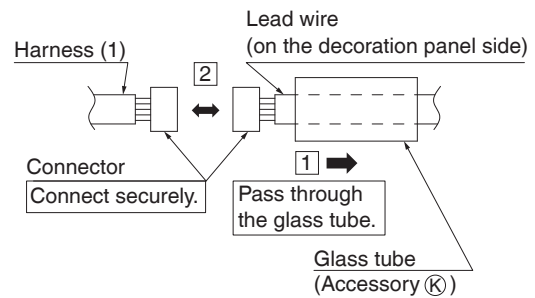
- (6) Pass the swing motor lead wiring and sensor lead wiring through the groove, as shown in the illustration.



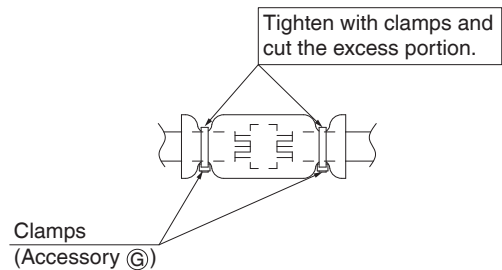
Note

- Make sure that the lead wiring does not stick out from the hooks.
- Make sure that the lead wiring does not touch the air filter.

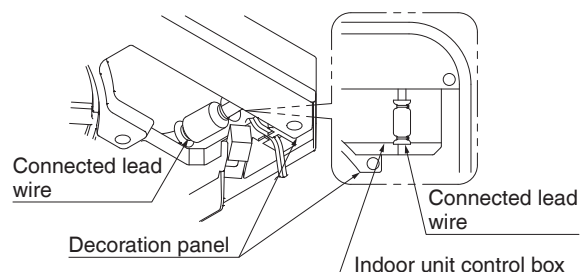
- (7) Pass the lead wiring (on the decoration panel side) through the glass tube (Accessory K) and connect it to the connector of harness (1).



- (8) Enclose and secure the connector in the glass tube by tightening both ends of the glass tube with the provided clamps (Accessory G).
After securing, cut the excess portion of the clamps from their root.



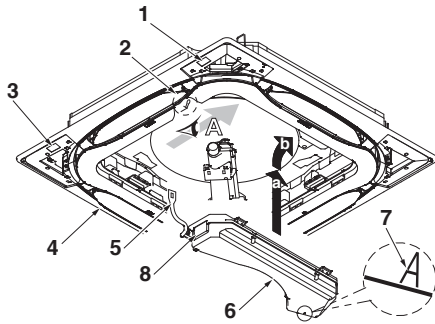
- (9) Put back the connected lead wiring between the indoor unit and decoration panel.
(Make sure that it does not stick out of the decoration panel surface.)



Note

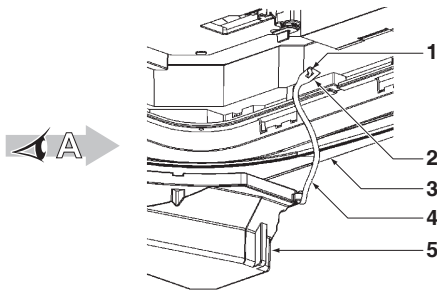
- Make sure that the lead wiring does not touch the air filter.

7-4 Attaching dust box



- 1 Engraved mark on piping side
- 2 Decoration panel clasp
- 3 Engraved mark on drain side
- 4 Decoration panel
- 5 Fall prevention string
- 6 Dust box
- 7 Mount the dust box with the side where the mark is engraved faced downward.
- 8 Dust box exhaust

- (1) Hook the fall prevention string for the dust box to the decoration panel clasp as shown in the illustration.



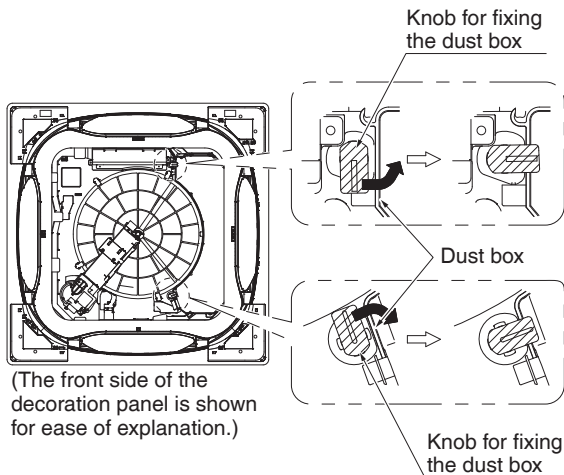
- 1 Clasp
- 2 Hooked fall prevention string
- 3 Decoration panel
- 4 Fall prevention string
- 5 Dust box

- (2) Attach the dust box in the order opposite to the procedure in "5-3 Removal of dust box" on page 4.

Note

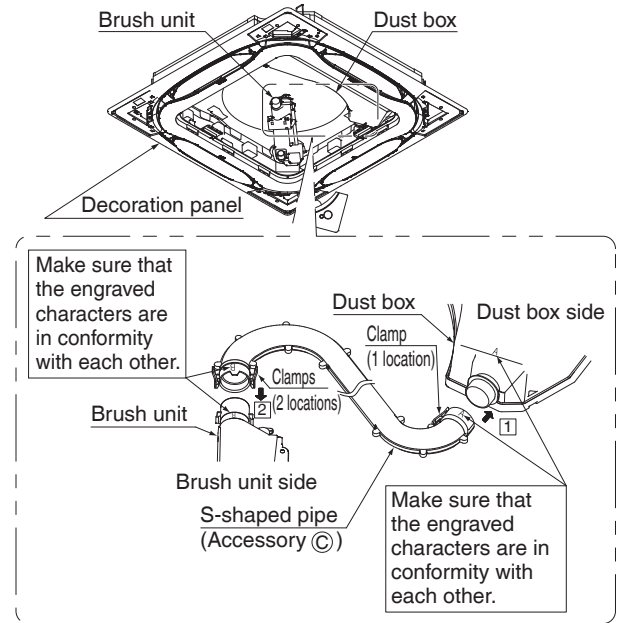
Make sure that the fall prevention string is not caught by the exhaust opening on the dust box when attaching the dust box. Otherwise, the dust box may not function normally.

- (3) Turn the knobs (2 locations) for fixing the dust box and secure the dust box.



7-5 Mounting S-shaped pipe (Accessory ©)

Mount the dust box side (engraved with A) before mounting the brush side (engraved with B).
(Mount them so that the engraved characters will be in conformity.)



Note

Check that the clamps are engaged securely. Otherwise, a dust collection failure may result.

8. ATTACHING SUCTION GRILLE AND CORNER COVERS

The suction grille can be rotated and attached in two directions, either one of which is selectable.
If a number of units are installed, adjust the directions of the suction grilles if necessary. Make directional changes as well at the request of the customer.

8-1 Attaching suction grille

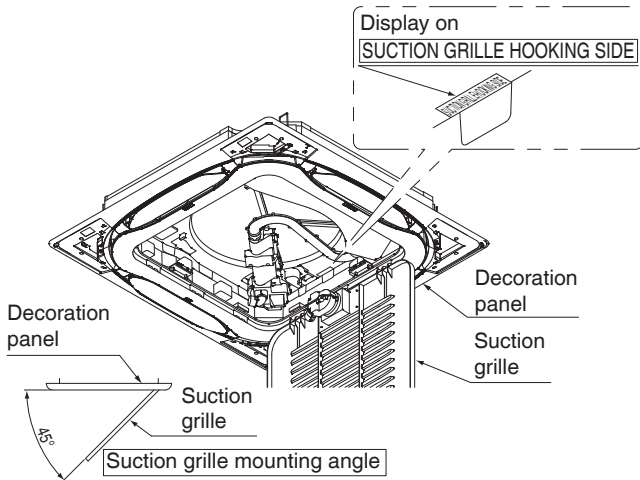
- * Select either the hook (A) or (B), and hook the clamps of the suction grille.

Note

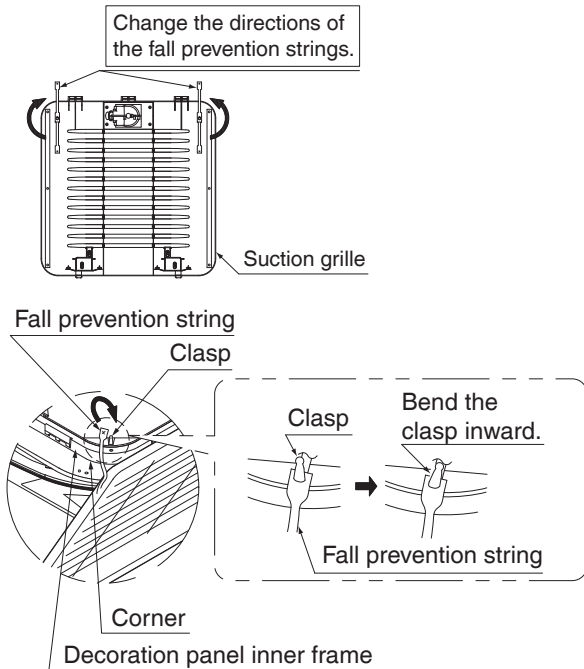
The suction grille may be damaged if the wrong hooking side is selected.

8-2 Hook (A)

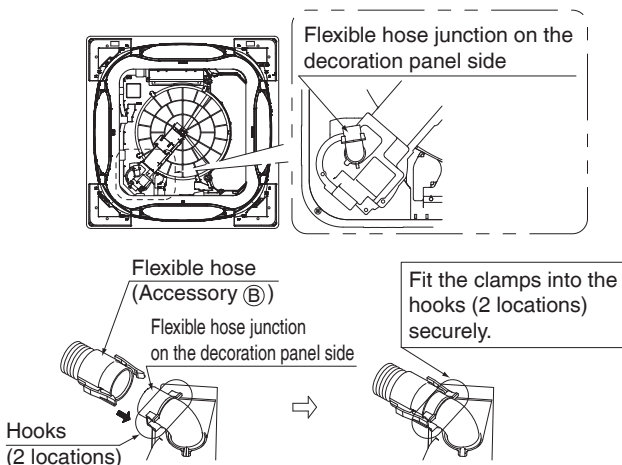
- (1) Set the suction grille to an angle of approximately 45° and put the hooks (3 locations) onto the decoration panel.



- (2) As shown in the illustration, hook the fall prevention strings for the suction grille to the clasps on the corners of the decoration panel inner frame (2 locations).



- (3) Connect the flexible hose (Accessory ⑥) onto the decoration panel side. (The flexible hose (Accessory ⑥) has no directionality constraint.)



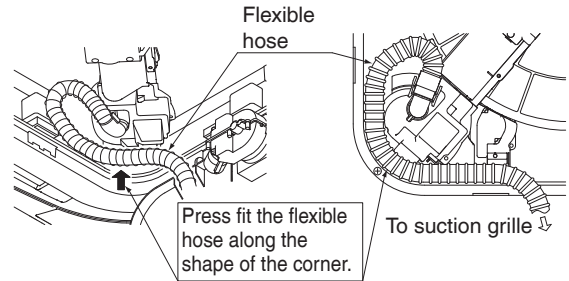
Note

Check that the clamps are engaged securely. Otherwise, a dust collection failure may result.

- (4) Press fit the flexible hose connected in (3) into the decoration panel. (Make sure that the hose will not be caught while closing the suction grille.)

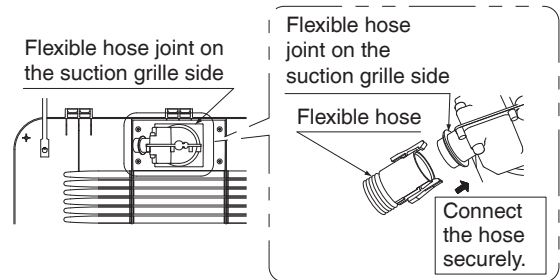
Note

Be sure not to break the flexible hose when press fitting the flexible hose.



- (5) Connect the opposite end of the flexible hose connected in (3) onto the suction grille side.

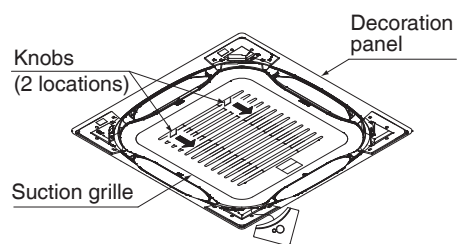
* Rotate the flexible hose joint on the suction grille side according to the mounting direction of the suction grille as shown in the illustration.



Note

Check that the clamps are engaged securely. Otherwise, a dust collection failure may result.

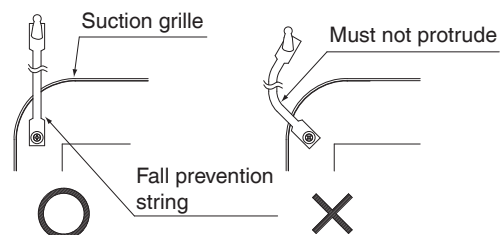
- (6) Push up the suction grille slowly first, and while pressing the two knobs, finally fit the grille into the decoration panel securely.



Note

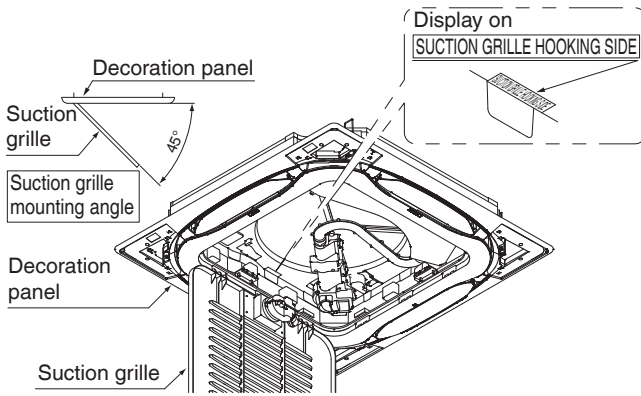
The suction grille can catch the fall prevention strings while the suction grille is closed.

Check that the fall prevention strings do not protrude from the suction grille before closing the suction grille.

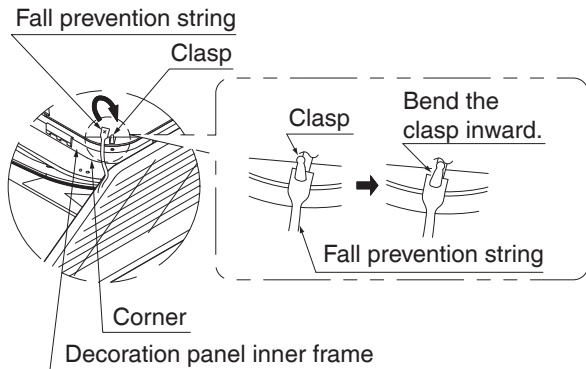
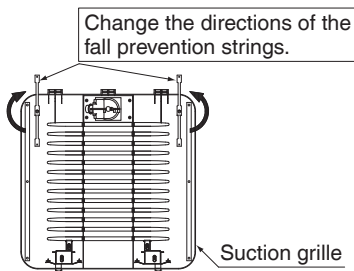


8-3 Hook (B)

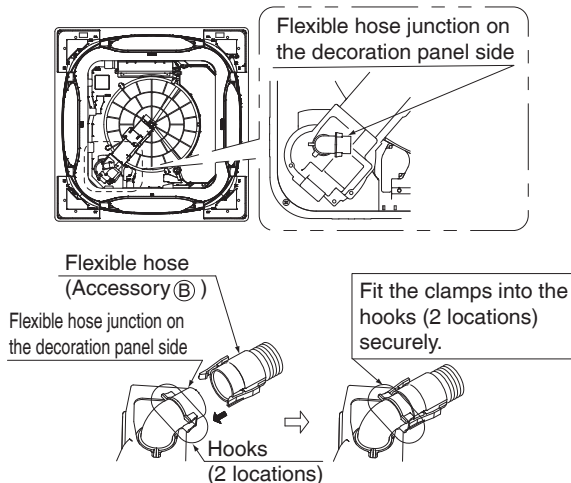
- (1) Set the suction grille to an angle of approximately 45° and put the hooks (3 locations) onto the decoration panel.



- (2) As shown in the illustration, hook the fall prevention strings for the suction grille to the clasps on the corners of the decoration panel inner frame (2 locations).



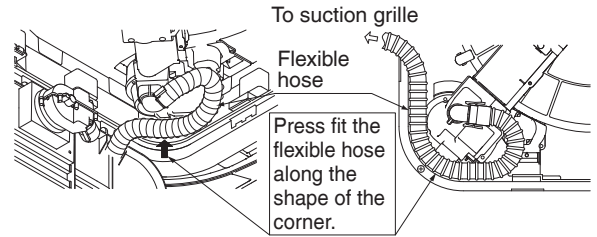
- (3) Connect the flexible hose (Accessory ⑥) onto the decoration panel side. (The flexible hose (Accessory ⑥) has no directionality constraint.)



Note

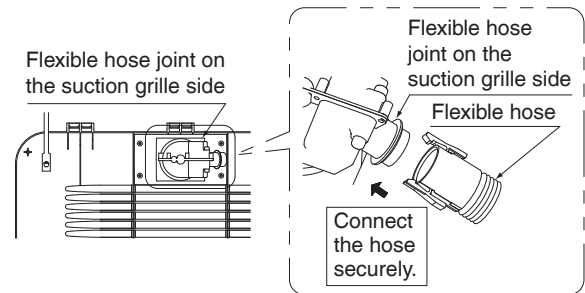
Check that the clamps are engaged securely. Otherwise, a dust collection failure may result.

- (4) Press fit the flexible hose connected in (3) into the decoration panel. Make sure that the hose will not be caught while closing the suction grille.



- (5) Connect the opposite end of the flexible hose connected in (3) onto the suction grille side.

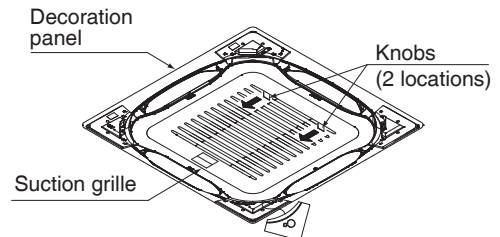
* Rotate the flexible hose joint on the suction grille side according to the mounting direction of the suction grille as shown in the illustration.



Note

Check that the clamps are engaged securely. Otherwise, a dust collection failure may result.

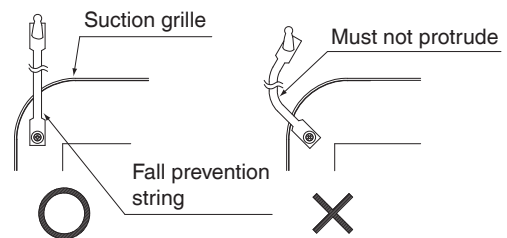
- (6) Push up the suction grille slowly first, and while pressing the two knobs, finally fit the grille into the decoration panel securely.



Note

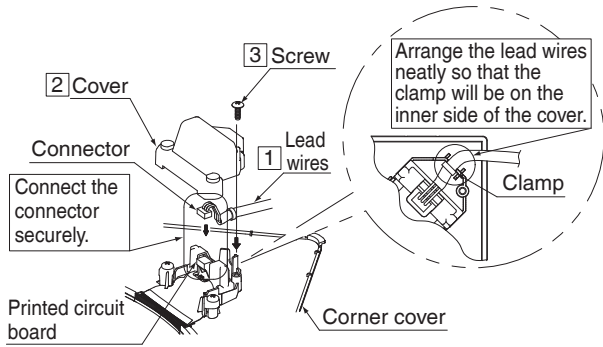
The suction grille can catch the fall prevention strings while the suction grille is closed.

Check that the fall prevention strings do not protrude from the suction grille before closing the suction grille.

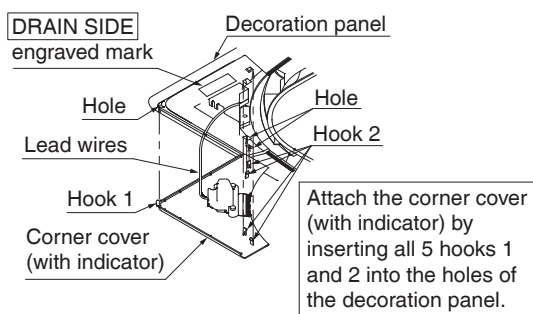


8-4 Attaching corner covers

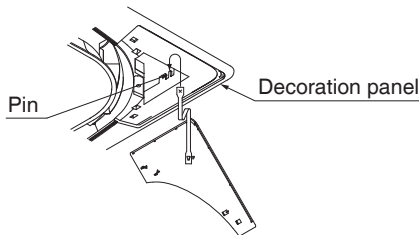
- (1) Securely connect the lead wiring of the corner cover (with indicator) to the printed circuit board on the corner cover (with indicator) in the opposite order to the procedure in "5. PREPARATIONS FOR DECORATION PANEL" on page 4.



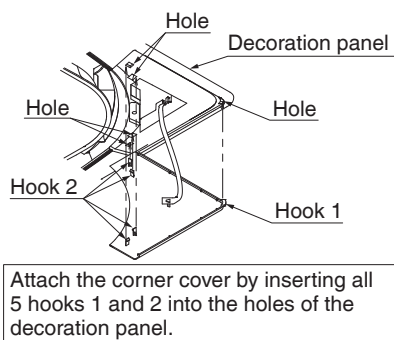
- (2) Attach the corner cover (with indicator) to the corner with the **DRAIN SIDE** engraved mark. Push the connected lead wires through the corner hole onto the backside of the ceiling.



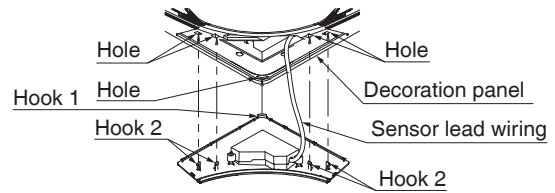
- (3) Hook each of the strings of the remaining corner covers onto the corresponding pin on the decoration panel.



- (4) Attach the corner covers (2 locations) to the decoration panel.



- (5) Attach the corner cover (with sensor) to the decoration panel. Push the sensor lead wiring through the hole on the corner into the back of the ceiling.



Attach the corner cover (with sensor) by inserting all 5 hooks 1 and 2 into the holes of the decoration panel. (Attach while paying attention not to catch the sensor lead wiring between the decoration panel and corner cover (with sensor).)

9. OPERATION MODE SETTINGS

Any one of the following operation modes can be selected for the filter auto-cleaning of the self cleaning decoration panel.

Operation mode	Description
(1) Scheduled timer operation	Performs filter auto-cleaning during the designated period selected from eight periods. (factory-set period of time (12:00A-3:00A))
(2) Auto control operation	Performs filter auto-cleaning according to the control reference.

In consultation with the customer, set the desired operation mode by referring to the instructions on **Filter Auto Clean** in the operation manual for the self cleaning decoration panel. At the time of delivery, refer to the contents of descriptions (1) through (2) in the above table and explain the customer when filter auto-cleaning will start.

10. FIELD SETTINGS

Make settings in consultation with the customer according to the installation and usage conditions of the air conditioner. The following three settings are possible.

10-1 Dust quantity settings

Make settings according to the quantity of dust in the room.

- Standard quantity of dust (General offices)
- Large quantity of dust (Stores dealing in clothing)

10-2 Decoration panel indicator (green) On/Off

The decoration panel indicator (green) can display the following operating conditions. Make indicator settings according to the request of the customer.

Indicator	Operating conditions	Remarks
Green	Lit	The indicator is turned off before shipping.
	Flashing	

The red lamp to inform the customer of the time of dust collection will not be turned off.

Make field settings according to the installation manual of the remote controller. (Settings in bold cells are made before shipping.)

Setting item	Mode No.	FIRST CODE NO.	SECOND CODE NO.			
			01	02	03	04
Display Dust Collection sign 1	10 (20)	(3)	Display	No display	–	–
Dust quantity settings	14 (24)	(9)	Standard quantity of dust	Large quantity of dust	–	–
Decoration panel indicator (green) on/off	14 (24)	(4)	On while in air-conditioning operation and filter cleaning operation.	Possible to turn on while in filter cleaning operation only.	Off while in air-conditioning operation and filter cleaning operation. * Factory settings	–

11. TEST OPERATION

Perform the test operation of the self cleaning decoration panel after the test operation of the indoor unit is finished.

The test operation of the self cleaning decoration panel is not possible while the indoor unit is in operation.

Note

Perform the test operation of the product after referring to “a. Test items on completion of work”.

11-1 Check that the control box covers of the indoor unit, outdoor unit, and the self cleaning decoration panel, respectively, are closed


11-2 Turn the indoor unit power on

The decoration panel will go into initialization operation after the power is turned on.

11-3 Conduct the test operation of the decoration panel 2 minutes after the power is turned on

Confirm the cleaning operation of the filter with the remote controller.


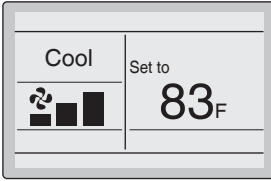

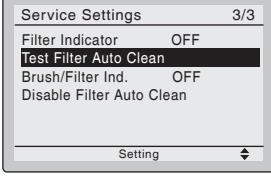

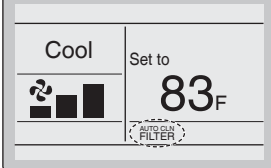
Test operation method with remote controller

1. Stop the operation of the decoration panel if the decoration panel is in air-conditioning operation.
2. Continue pressing the Cancel button at least 4 seconds while the backlight is lit. The service settings menu will appear.
3. Select **Test Filter Auto Clean** from the service settings menu, and press the Menu/OK button.
4. “” will appear on the basic screen.

The display will disappear when the test operation is finished.

The required test operation time is approximately 10 minutes (in the case of setting the standard quantity of dust).

This remote controller is the BRC1NRV71 model. Other remote controllers may vary in display.


1.  Press and hold Cancel button for 4 seconds or longer during backlight lit.
2.   Press Menu/OK button.
3.   Press Menu/OK button.
4. 

Backlight for LCD

Press any button and the backlight will be lit for approximately 30 seconds.

Perform the operation of buttons while the backlight is lit (except the On/Off button).

Test items on test operation

Test items	Remedy	Check result
Is the filter rotating?	Check the connector connections.	
Are the horizontal blades fixed horizontally?		
Is “  ” displayed on the screen of the remote controller?		

* The remote controller will display a malfunction code “AH” if the self cleaning decoration panel has an error.

Note

- After the test operation of the product is finished, refer to “b. Test items before delivery”.

DAIKIN COMFORT TECHNOLOGIES MANUFACTURING, L.P.

Daikin Texas Technology Park,
19001 Kermier Road,
Waller, TX, 77484, U.S.A.

