

FLUE EXTENSION KITS FOR 15 - 25 TON MODELS DFG AND DBG LIGHT COMMERCIAL ROOFTOP UNITS INSTALLATION INSTRUCTION

© 2022 **DAIKIN MANUFACTURING COMPANY, L.P**
19001 Kermier Rd., Houston, TX 77484
www.daikincomfort.com
P/N: IOD-7146 Date: February 2022

WARNING

ONLY PERSONNEL THAT HAVE BEEN TRAINED TO INSTALL, ADJUST, SERVICE OR REPAIR (HEREINAFTER, "SERVICE") THE EQUIPMENT SPECIFIED IN THIS MANUAL SHOULD SERVICE THE EQUIPMENT. THE MANUFACTURER WILL NOT BE RESPONSIBLE FOR ANY INJURY OR PROPERTY DAMAGE ARISING FROM IMPROPER SERVICE OR SERVICE PROCEDURES. IF YOU SERVICE THIS UNIT, YOU ASSUME RESPONSIBILITY FOR ANY INJURY OR PROPERTY DAMAGE WHICH MAY RESULT. IN ADDITION, IN JURISDICTIONS THAT REQUIRE ONE OR MORE LICENSES TO SERVICE THE EQUIPMENT SPECIFIED IN THIS MANUAL, ONLY LICENSED PERSONNEL SHOULD SERVICE THE EQUIPMENT. IMPROPER INSTALLATION, ADJUSTMENT, SERVICING OR REPAIR OF THE EQUIPMENT SPECIFIED IN THIS MANUAL, OR ATTEMPTING TO INSTALL, ADJUST, SERVICE OR REPAIR THE EQUIPMENT SPECIFIED IN THIS MANUAL WITHOUT PROPER TRAINING MAY RESULT IN PRODUCT DAMAGE, PROPERTY DAMAGE, PERSONAL INJURY OR DEATH.

Flue Extensions are designed to fit over the flue / vent outlet and then secured to the side of the unit with screws provided in the kit.

NOTE: BE CAREFUL NOT TO STRIP THE SHEET METAL OR SCREWS. TORQUE SCREWS UNTIL THEY ARE FULLY SEATED AGAINST THE SHEET METAL.

Flue Extension comes in three parts as shown in Figure 1:

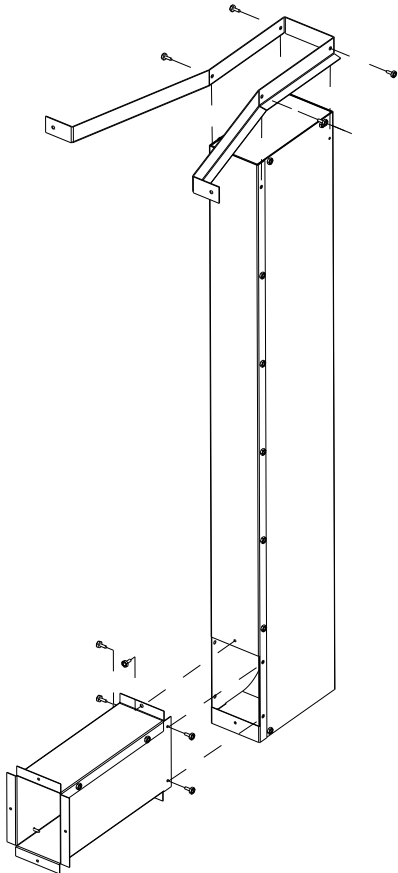


Figure 1

Models	Flue Extension Kit p/n
DFG180, DFG240, DFG300 DBG180, DBG240, DBG300	HEFLUE180300



Install Flue Extension as shown in Figure 2 and Figure 3:

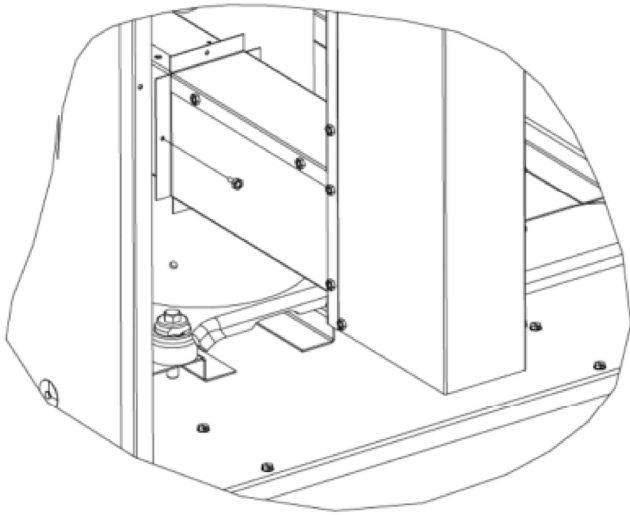


Figure 2

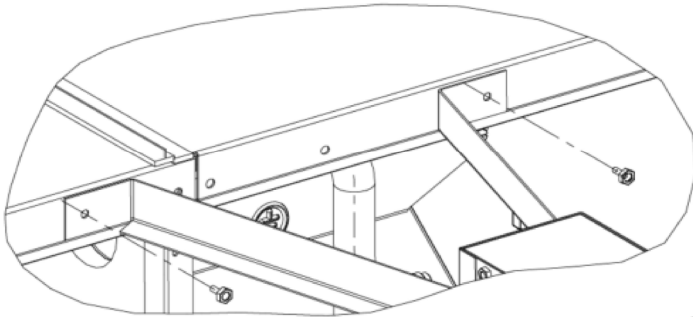


Figure 3

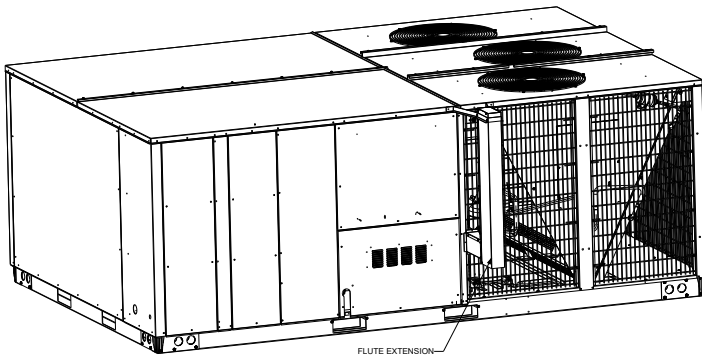


Figure 4

1. Assemble the Flue Extension parts together as shown in Figure 1 using the provided screws to attach them.
2. Once the Flue Extension is assembled, place the short side of the assembly over the vent outlet on the RTU and line up the top bracket with the top panel side. Refer to Figure 4.
3. Secure the short side of the assembly over the vent outlet against the panel, see Figure 2. Use the provided zip screw to secure the left flange against the panel.
4. Then, remove the screw that is blocking the left side of the top bracket and secure the top bracket to the top panel flange with the zip screws provided. See Figure 3. Use existing hole on the left side of the bracket.
5. Double check all screws have been fully seated. Be careful not to strip the sheet metal. Ensure the flue inlet fits completely over the vent outlet.
6. See Figure 4 for full assembly.

THIS PAGE LEFT INTENTIONALLY BLANK

CUSTOMER FEEDBACK

Daikin is very interested in all product comments.
Please fill out the feedback form on the following link:

<https://daikincomfort.com/contact-us>

You can also scan the QR code on the right for the product brand
you purchased to be directed to the feedback page.



Our continuing commitment to quality products may mean a change in specifications without notice.

© 2022 **DAIKIN MANUFACTURING COMPANY, L.P**

19001 Kermier Rd., Waller, TX 77484

www.daikincomfort.com