



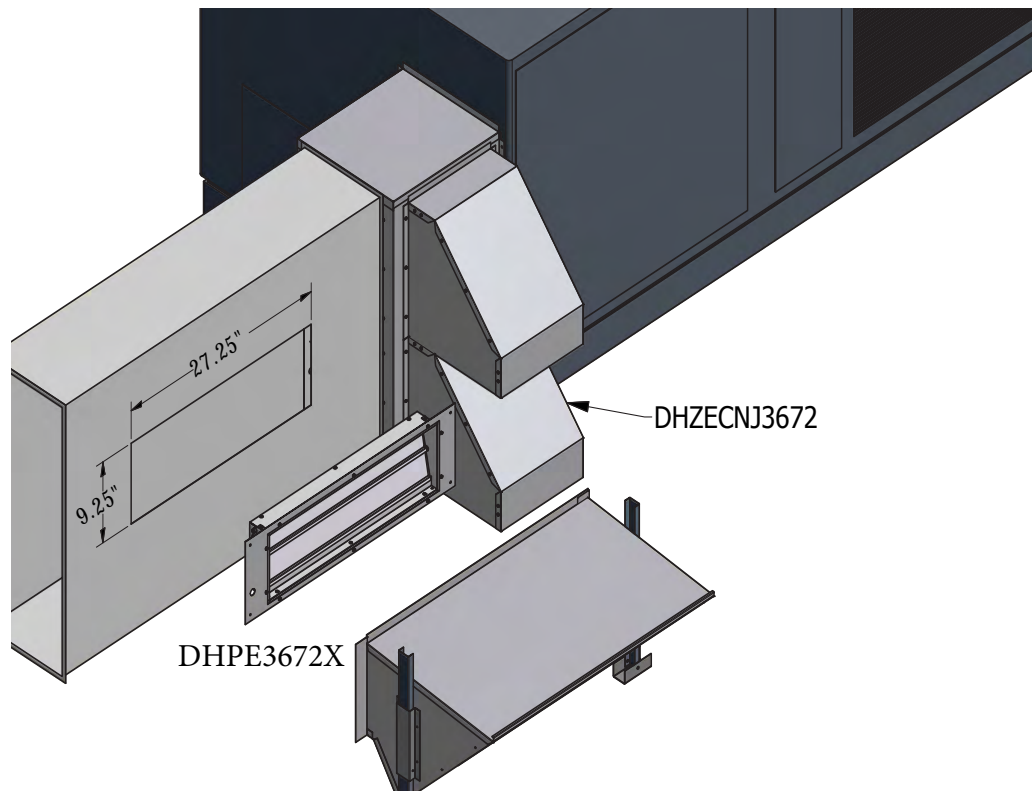
### SEQUENCE OF OPERATION

This sequence assumes employment of a single enthalpy economizer using a two stage thermostat.

1. A call for cooling comes from room thermostat.
2. The enthalpy sensor determines if the atmospheric conditions are conducive for using outside air for cooling. If YES, the fresh air damper section of the economizer begins to open.
3. In the SETPOINTS menu, change the EXH1 SET to 70% so that when the fresh air dampers are open approximately 70% of their full open capacity, EXH1 is energized and the power exhaust is powered to draw the relief air from the space. There is a 60 +/-30 second time delay built into the economizer control before the fan motor actually energizes.
4. When the dampers modulate below the 70% open position due to a satisfied thermostat or atmospheric conditions, the power exhaust disengages immediately.

### INSTALLATION WITH ECONOMIZER

1. Open carton and inspect contents for shortages and damage.
2. Disconnect the power to the unit.
3. Remove the horizontal duct cover panel, filter access and evaporator access panels.
4. Install the horizontal economizer per the instructions included with that accessory and connect the return duct.
5. Cut a hole in the return duct per the drawing below.
6. Feed the line voltage and low voltage leads through the barometric relief damper and through the economizer to the unit evaporator section.
7. Slide the support legs through the guides.
8. Mount the relief damper and hood to the duct.
9. Extend the support legs until they touch the base structure and secure them using the screws provided.
10. Feed the line voltage leads to the control section of the package unit and attach them to T1 and T2 on the unit contactor per the included wiring diagram.
11. Attach the low voltage control leads to the Jade economizer controller per the included wiring diagram using the side connectors provided. (Figure 3)
12. On the Jade control, set the position at which the exhaust will energize under the SETPOINTS menu.
13. Reinstall the evaporator access and filter access panel.



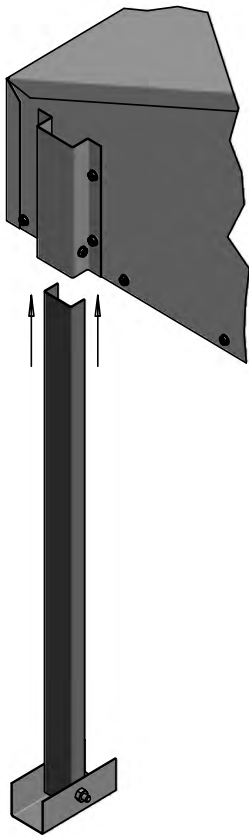


Figure 1



Figure 2



Figure 3

## CONTENTS

1	Power Exhaust Hood
2	Support Legs
2	Side Connectors
1	Installation Instructions

Model	Voltage	Motor				
		HP	RPM	Type	FLA	Speeds
DPE36722	208/230-1-60	1/3	1625	Direct Drive	2.0	3
DPE36724	460-1-60	1/3	1625	Direct Drive	9	2
DPE36727	575-1-60	1/2	1625	Direct Drive	1	1