

# HORIZONTAL INSTALLATION OF DUCT COVERS, 3 - 12.5 TON MODELS INSTALLATION INSTRUCTIONS

© 2018-2019, 2021-2022  
**DAIKIN COMFORT TECHNOLOGIES MANUFACTURING, L.P.**  
 19001 Kermier Rd., Waller, TX 77484  
[www.daikincomfort.com](http://www.daikincomfort.com)  
 P/N: IOD-7082D Date: October 2022

## WARNING

ONLY PERSONNEL THAT HAVE BEEN TRAINED TO INSTALL, ADJUST, SERVICE, MAINTENANCE OR REPAIR (HEREINAFTER, "SERVICE") THE EQUIPMENT SPECIFIED IN THIS MANUAL SHOULD SERVICE THE EQUIPMENT. THE MANUFACTURER WILL NOT BE RESPONSIBLE FOR ANY INJURY OR PROPERTY DAMAGE ARISING FROM IMPROPER SERVICE OR SERVICE PROCEDURES. IF YOU SERVICE THIS UNIT, YOU ASSUME RESPONSIBILITY FOR ANY INJURY OR PROPERTY DAMAGE WHICH MAY RESULT. IN ADDITION, IN JURISDICTIONS THAT REQUIRE ONE OR MORE LICENSES TO SERVICE THE EQUIPMENT SPECIFIED IN THIS MANUAL, ONLY LICENSED PERSONNEL SHOULD SERVICE THE EQUIPMENT. IMPROPER INSTALLATION, ADJUSTMENT, SERVICING, MAINTENANCE OR REPAIR OF THE EQUIPMENT SPECIFIED IN THIS MANUAL, OR ATTEMPTING TO INSTALL, ADJUST, SERVICE OR REPAIR THE EQUIPMENT SPECIFIED IN THIS MANUAL WITHOUT PROPER TRAINING MAY RESULT IN PRODUCT DAMAGE, PROPERTY DAMAGE, PERSONAL INJURY OR DEATH.

## WARNING

DO NOT BYPASS SAFETY DEVICES

## CAUTION

EDGES MAY BE SHARP. IT IS RECOMMENDED PROTECTIVE GLOVES BE WORN WHEN INSTALLING DUCT COVERS.

1. Remove supply and return duct cover panels from the end of the unit. Save all washed screws.
2. Remove 6 factory supplied panel clips that are secured to the base pan, behind the filter access panel.
3. With the insulated side of the panel facing up, attach the clips as shown in Figure 1. The clips containing 1 hole per clip are for return air panels.

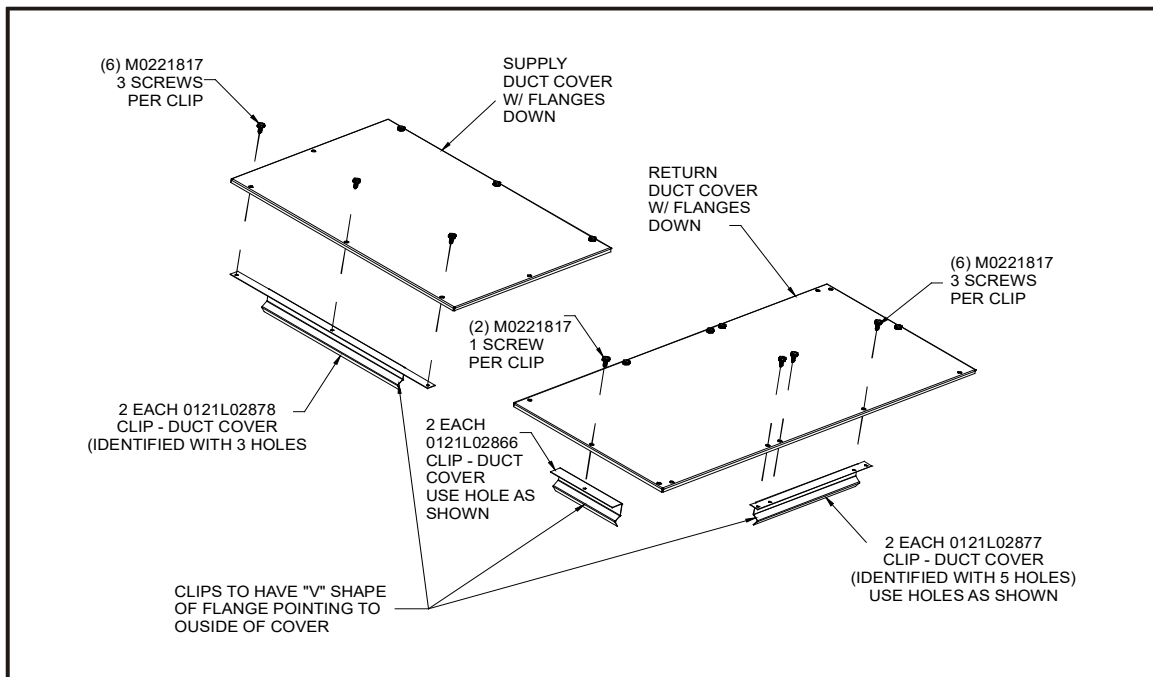


Figure 1 (3-6 Ton Models)



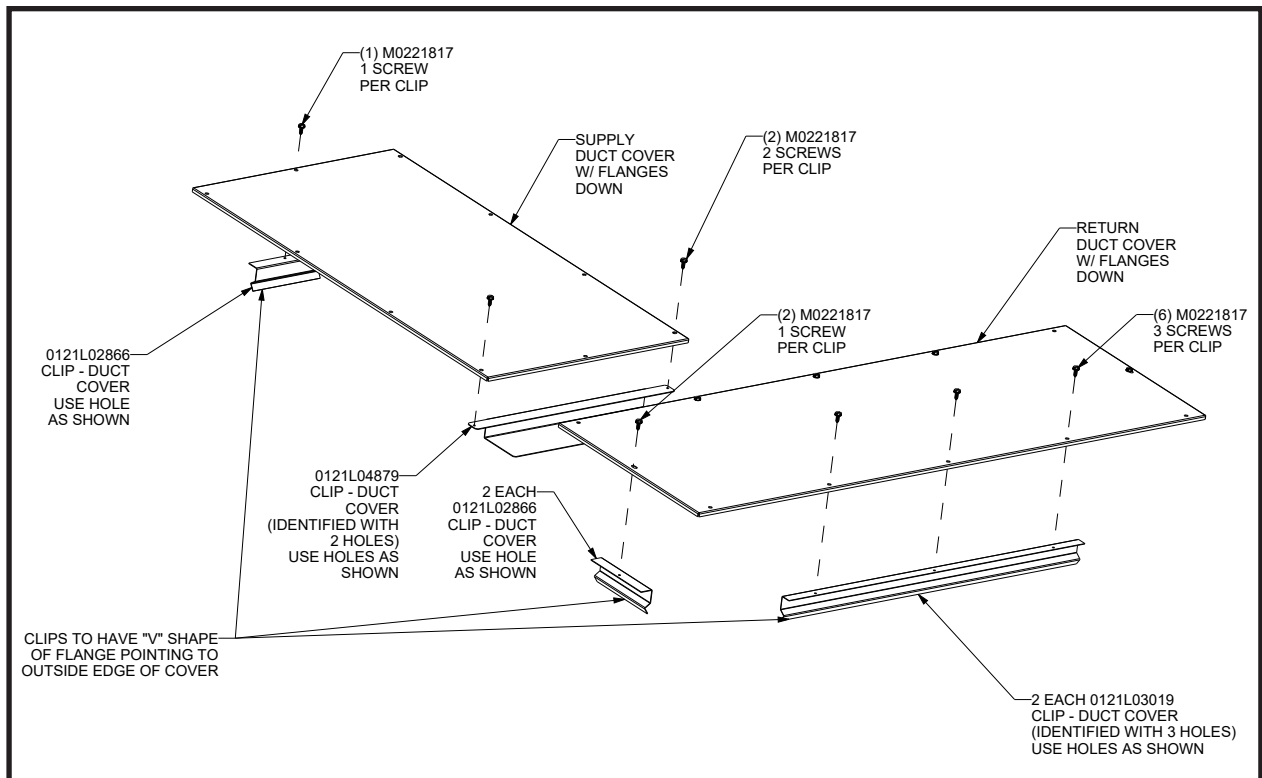


Figure 1B (7.5-12.5 Ton Models)

- Place the provided gasket material completely around the perimeter of the clip side on both panels, as shown in Figure 2.

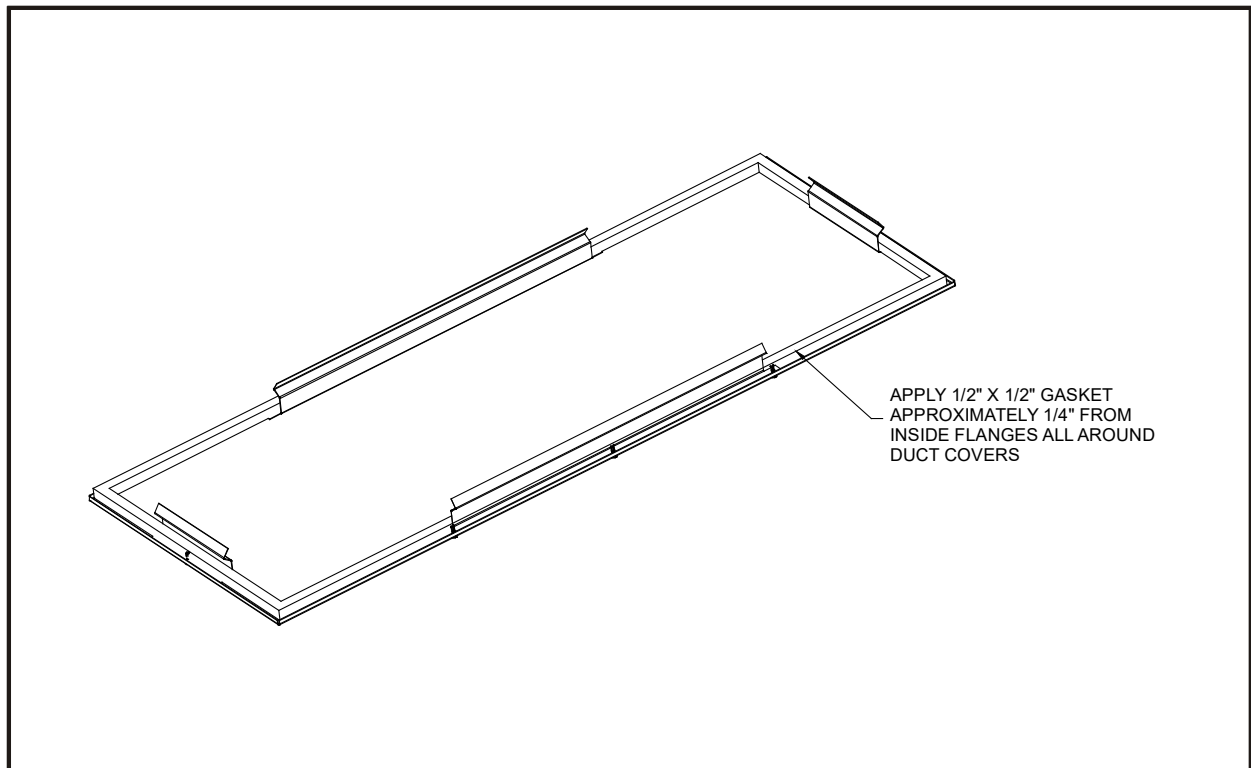


Figure 2

- Place the assembled panels over the supply and return duct openings in the base pan and push down to snap panels into places, as shown in Figure 3. **NOTE:** For 7.5 to 12.5 Ton models, have the 0121L04879 bracket on the supply duct cover facing the evaporator, slide it under the heat exchanger over the supply duct, and push the other side down to snap into place.

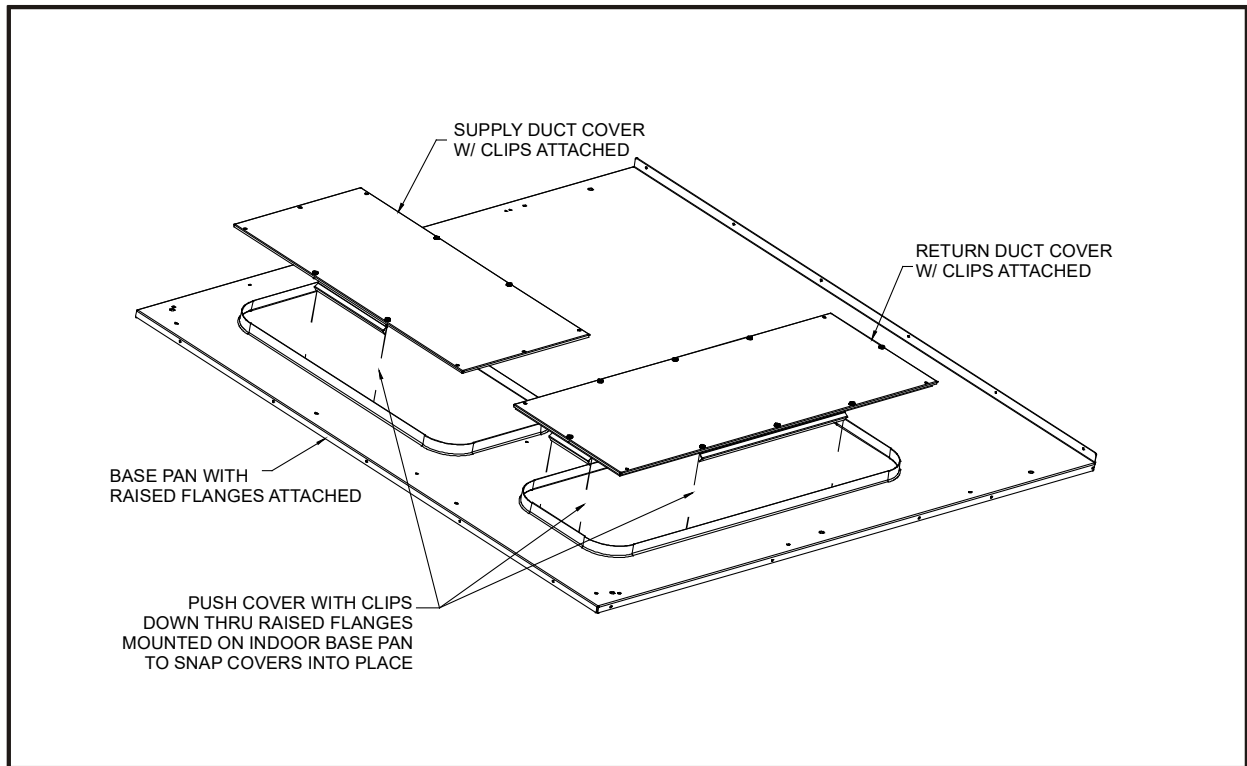


Figure 3

6. Ensure the panel is evenly seated on the flanges around the duct openings and the gasket is creating a good seal.

**CUSTOMER FEEDBACK**

Daikin is very interested in all product comments.  
Please fill out the feedback form on the following link:

<https://daikincomfort.com/contact-us>

You can also scan the QR code on the right to be directed to the feedback page.



---

NOTE: SPECIFICATIONS AND PERFORMANCE DATA LISTED HEREIN ARE SUBJECT TO CHANGE WITHOUT NOTICE

© 2018-2019, 2021-2022 **DAIKIN COMFORT TECHNOLOGIES MANUFACTURING, L.P.**

[www.daikincomfort.com](http://www.daikincomfort.com)