

DPICX-*A, DPICX-*B COIL INSULATION KIT INSTALLATION INSTRUCTIONS

ATTENTION INSTALLING PERSONNEL

As a professional installer, you have an obligation to know the product better than the customer. This includes all safety precautions and related items.

Prior to actual installation, thoroughly familiarize yourself with this Instruction Manual. Pay special attention to all safety warnings. Often during installation or repair, it is possible to place yourself in a position which is more hazardous than when the unit is in operation.



Remember, it is your responsibility to install the product safely and to know it well enough to be able to instruct a customer in its safe use.

Safety is a matter of common sense...a matter of thinking before acting. Most dealers have a list of specific good safety practices...follow them.

The precautions listed in this Installation Manual are intended as supplemental to existing practices. However, if there is a direct conflict between existing practices and the content of this manual, the precautions listed here take precedence.

SAFETY PRECAUTIONS

The following symbols and labels are used throughout this manual to indicate immediate or potential safety hazards. It is the owner's and installer's responsibility to read and comply with all safety information and instructions accompanying these symbols. Failure to heed safety information increases the risk of personal injury, property damage, and/or product damage.

	WARNING
<p>HIGH VOLTAGE DISCONNECT ALL POWER BEFORE SERVICING OR INSTALLING THIS UNIT. MULTIPLE POWER SOURCES MAY BE PRESENT. FAILURE TO DO SO MAY CAUSE PROPERTY DAMAGE, PERSONAL INJURY OR DEATH.</p>	
	

	WARNING
<p>DO NOT USE ANY PARTS THAT ARE NOT DESIGN CERTIFIED BY THE MANUFACTURER FOR USE WITH THIS UNIT. SERIOUS PROPERTY DAMAGE, PERSONAL INJURY, REDUCED UNIT PERFORMANCE AND/OR HAZARDOUS CONDITIONS MAY RESULT FROM THE USE OF SUCH NON-APPROVED PARTS.</p>	



WARNING

ONLY PERSONNEL THAT HAVE BEEN TRAINED TO INSTALL, ADJUST, SERVICE OR REPAIR (HEREINAFTER, "SERVICE") THE EQUIPMENT SPECIFIED IN THIS MANUAL SHOULD SERVICE THE EQUIPMENT. THE MANUFACTURER WILL NOT BE RESPONSIBLE FOR ANY INJURY OR PROPERTY DAMAGE ARISING FROM IMPROPER SERVICE OR SERVICE PROCEDURES. IF YOU SERVICE THIS UNIT, YOU ASSUME RESPONSIBILITY FOR ANY INJURY OR PROPERTY DAMAGE WHICH MAY RESULT. IN ADDITION, IN JURISDICTIONS THAT REQUIRE ONE OR MORE LICENSES TO SERVICE THE EQUIPMENT SPECIFIED IN THIS MANUAL, ONLY LICENSED PERSONNEL SHOULD SERVICE THE EQUIPMENT. IMPROPER INSTALLATION, ADJUSTMENT, SERVICING OR REPAIR OF THE EQUIPMENT SPECIFIED IN THIS MANUAL, OR ATTEMPTING TO INSTALL, ADJUST, SERVICE OR REPAIR THE EQUIPMENT SPECIFIED IN THIS MANUAL WITHOUT PROPER TRAINING MAY RESULT IN PRODUCT DAMAGE, PROPERTY DAMAGE, PERSONAL INJURY OR DEATH.



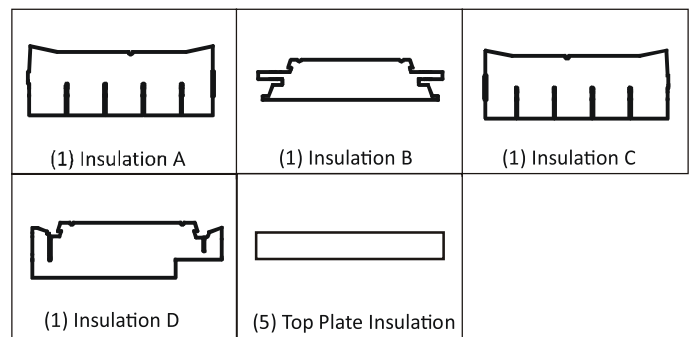
CAUTION

WHEN INSTALLING OR SERVICING THIS EQUIPMENT, SAFETY CLOTHING, INCLUDING HAND AND EYE PROTECTION IS STRONGLY RECOMMENDED. IF INSTALLING IN AN AREA THAT HAS SPECIAL REQUIREMENTS (HARD HATS, ETC.) OBSERVE THESE REQUIREMENTS.

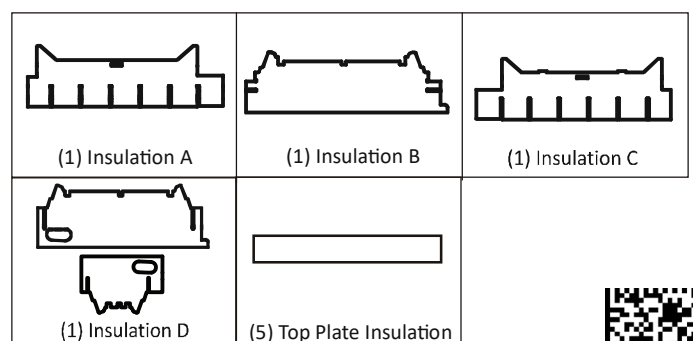
DESCRIPTION

The DPICX Coil Insulation Kit is applied to the bottom of the drain pan and top of the coil top plate in order to prevent possible condensation from forming. They can be used with cased and uncased coils, in applications where the unit is installed in a space where the temperature and humidity may exceed 86°F and 80% RH.

DPICX-*A



DPICX-*B



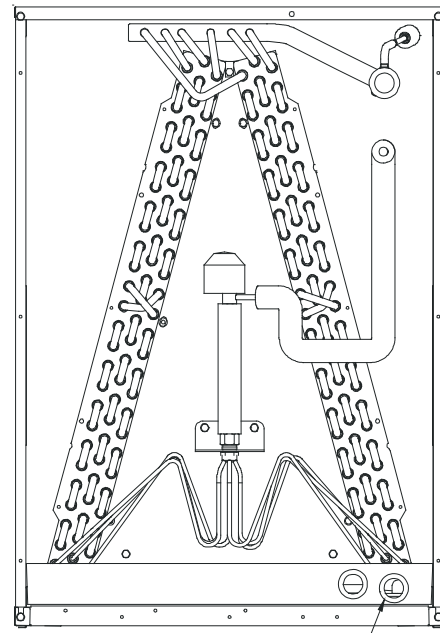
INSULATION KIT SELECTION TABLE		
Drain Port Location	Cabinet Width	Insulation Kit
Right (Figure 1)	17.5"	DPICX-BA
	21.0"	DPICX-CA
	24.5"	DPICX-DA
Left (Figure 2)	17.5"	DPICX-BB
	21.0"	DPICX-CB
	24.5"	DPICX-DB
Right (Figure 5)	14.0"	DPICX-AB

FOR DPICX-*A

KIT INSTRUCTIONS

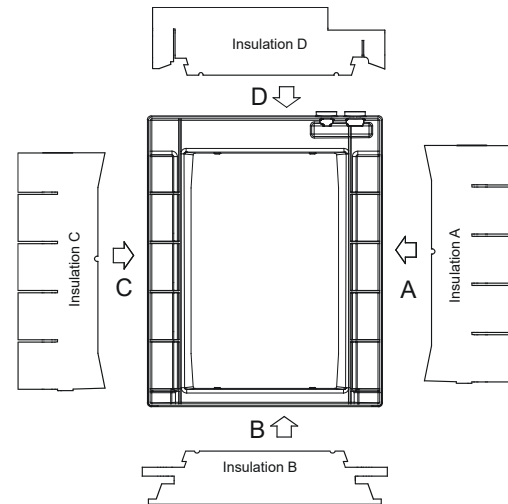
DRAIN PAN INSULATION:

1. To ensure proper adhesion, clean all surfaces of drain pan so they are clear of oil, dust, and moisture.
2. Identify sides A, B, C, and D of the insulation and drain pan as shown in Figure 2 or 4. (Side D is wider than side B)
3. Each shape of insulation and drain pan link each other. For example, Insulation A is applied onto side A of drain pan.



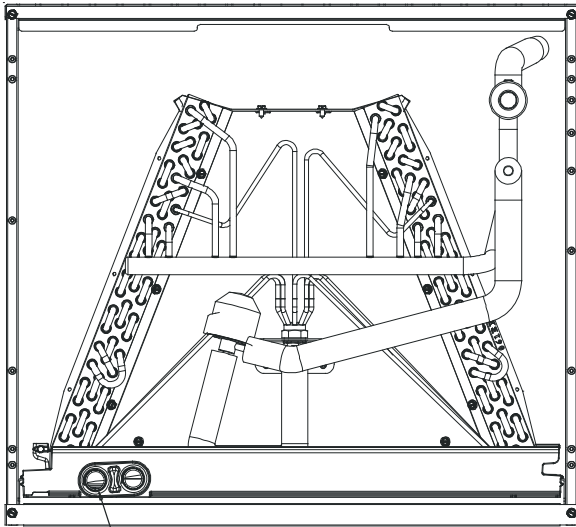
Drain ports located on right.

Figure 1

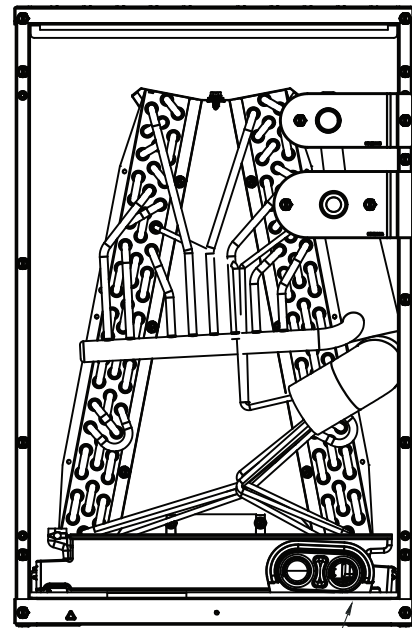


**Bottom View of Drain Pan
Figure 2**

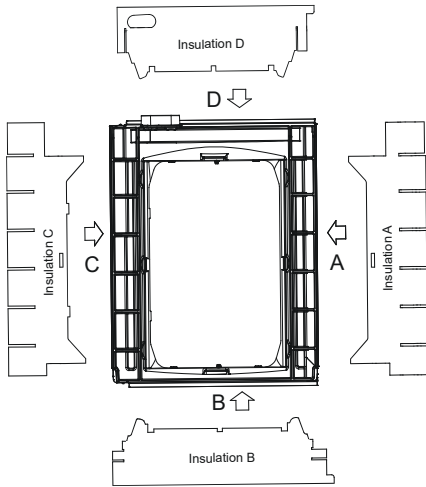
FOR DPICX-*B



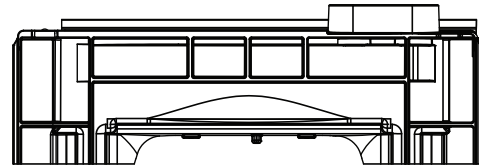
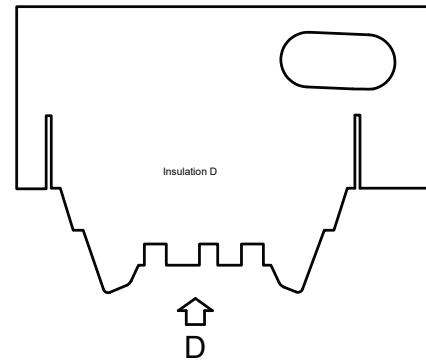
**DPICX-BB, -CB, -DB
Figure 3**



**DPICX-AB
Figure 5**



**Bottom View of Drain Pan
Figure 4**

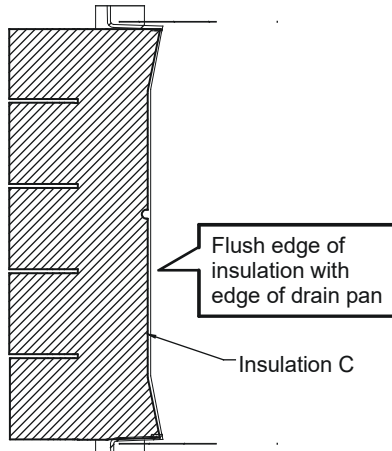
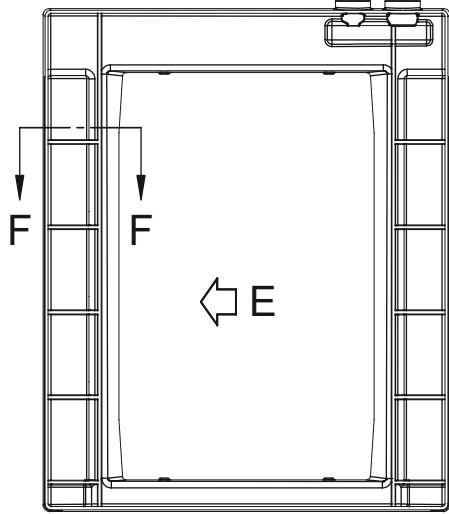


**DPICX-AB INSULATION D
Figure 6**

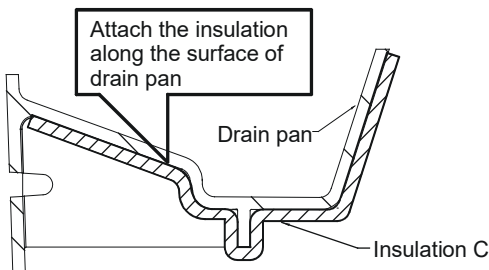
- Remove the paper backing from the insulation adhesive and install insulation A and C. Line up edge of the insulation with inside of the drain pan (See view E of figure 7). Firmly press the insulation along the surface of drain pan.

NOTE: ENSURE THERE ARE NO AIR GAPS/BUBBLES IN BETWEEN INSULATION AND DRAIN PAN. (SEE SECTION F-F OF FIGURE 7). CONDENSATION MAY BE GENERATED IN THAT AREA.

For DPICX-*A

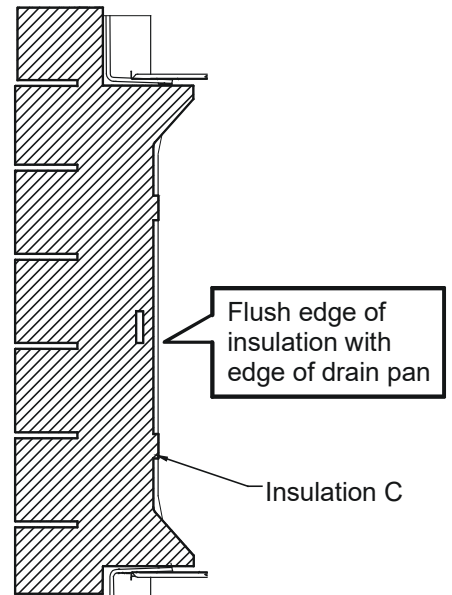
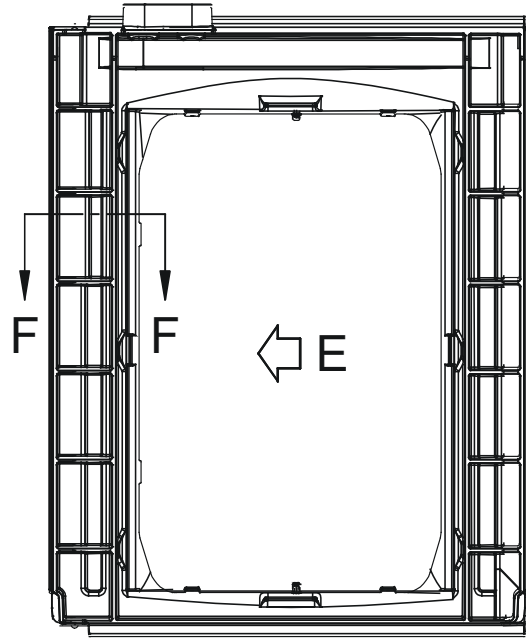


View E

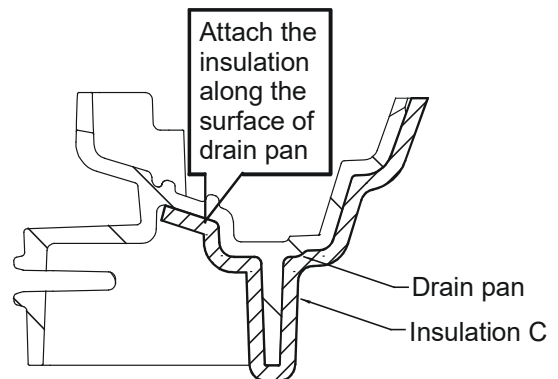


Section F-F

For DPICX-*B



View E

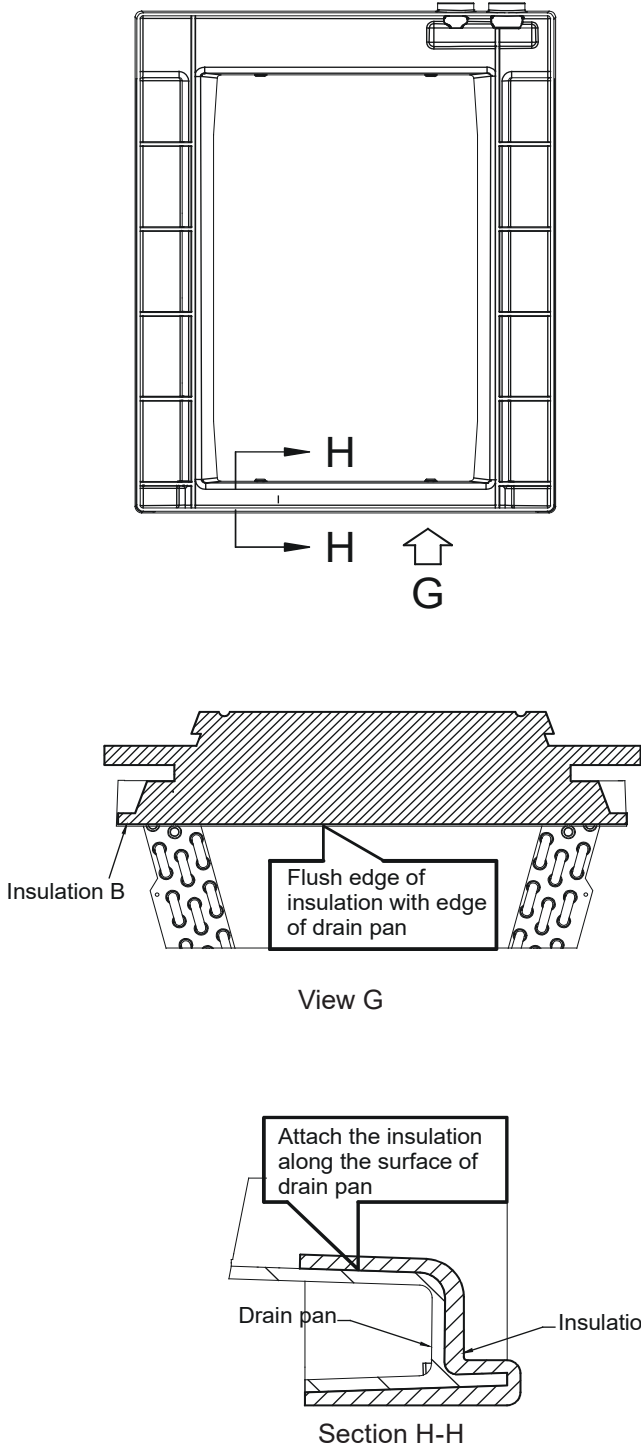


Section F-F

Figure 7

- Apply insulation B and D.
Ensure the edge of insulation B and D is flush with the top edge of the drain pan (See view G and J of Figure 8 and 9).
Fold over the remaining insulation to inside of drain pan.
Firmly press the insulation along the surface of drain pan. Don't allow any air gap/bubble between insulation and drain pan (See Section J-J and Section K-K of Figure 8 and 9).

For DPICX-*A



For DPICX*-B

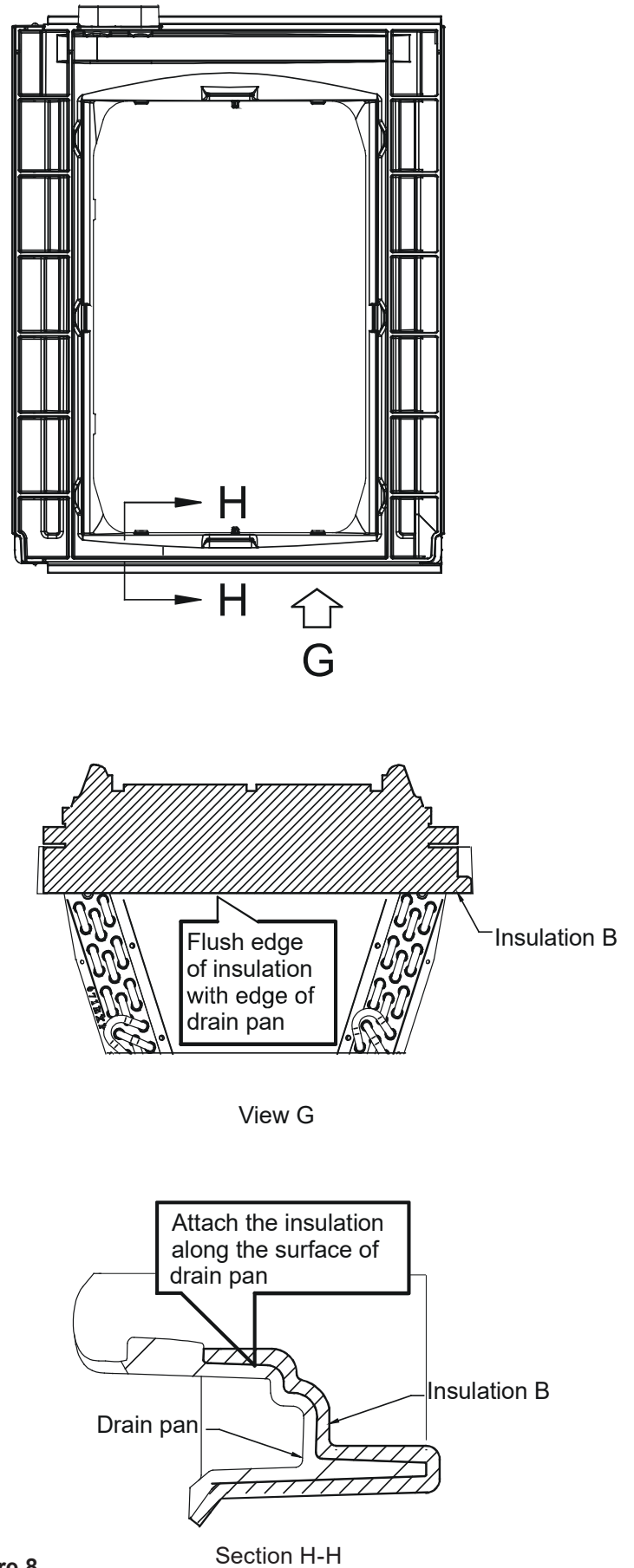
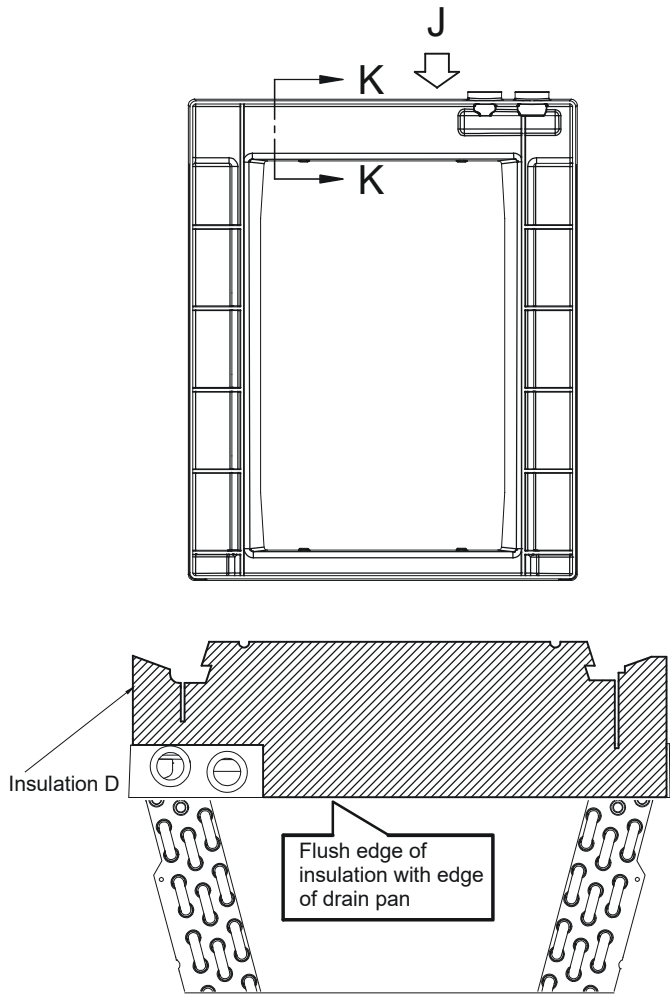
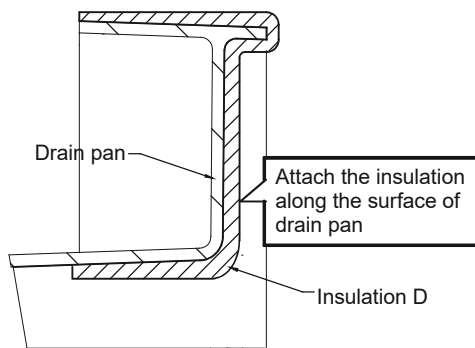


Figure 8

For DPICX-*A

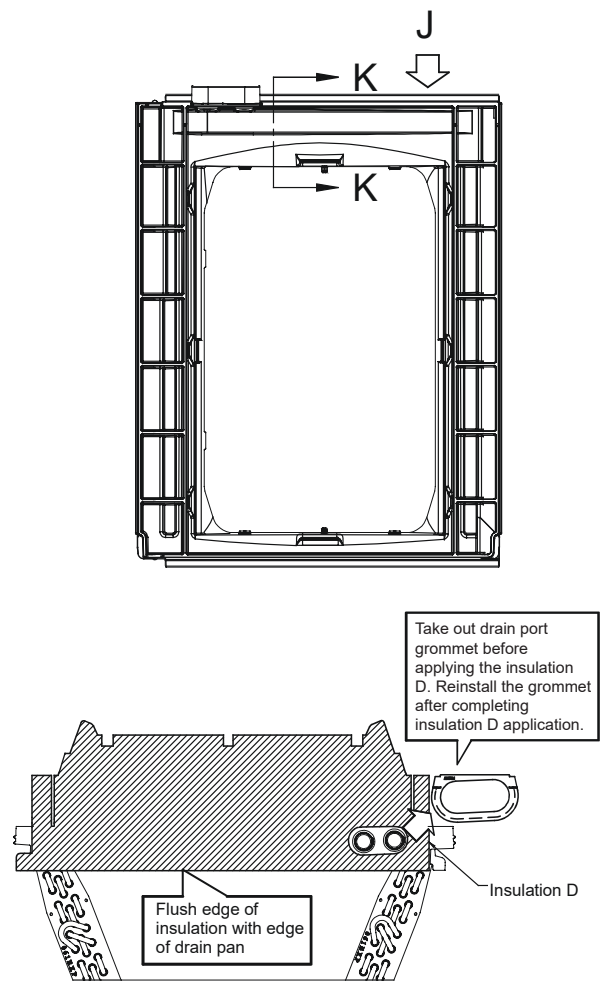


View J

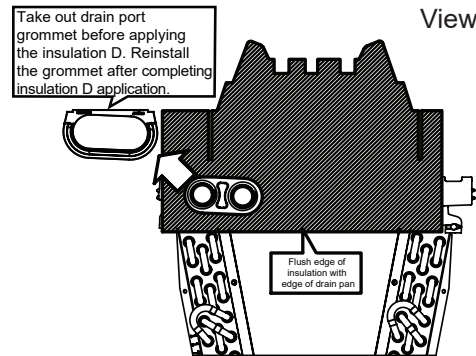


Section K-K

For DPICX-*B



View J

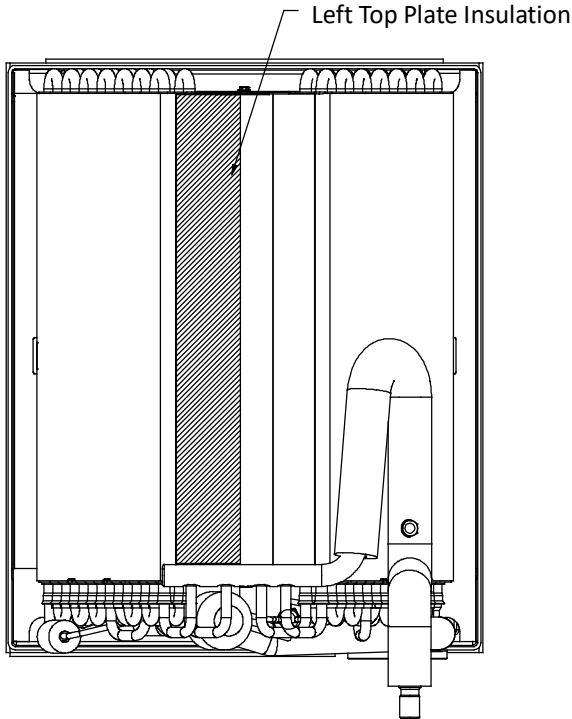


Section K-K

Figure 9

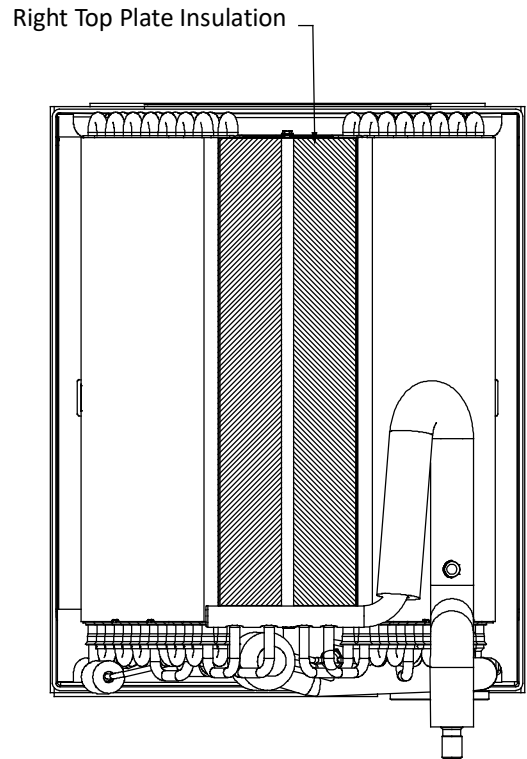
TOP PLATE INSULATION:

1. To ensure proper adhesion, clean the top surfaces of the top plate so it is clear of oil, dust and moisture.
2. Remove the tape backing from the insulation and apply following the left edge of the top plate. See Figure 10.
If you see that the insulation tape is too long and out of the edge of top plate, cut the extra insulation.



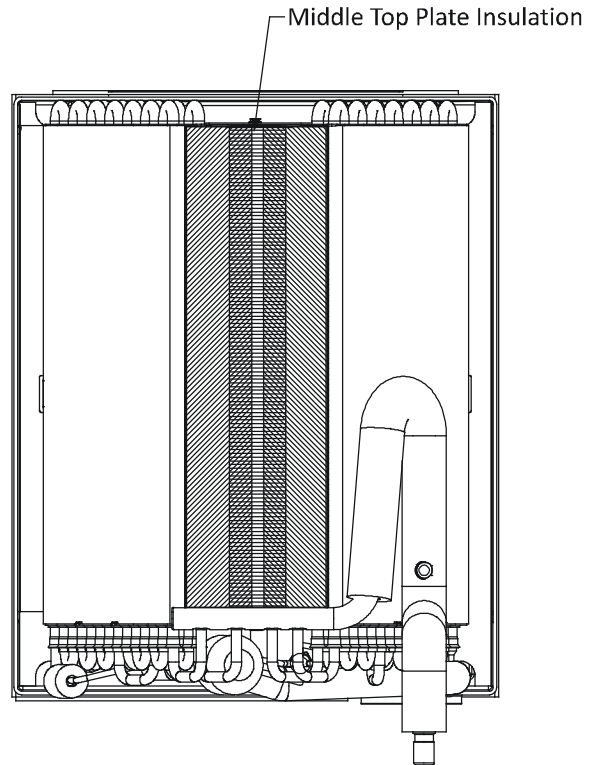
**Left Top Plate Insulation
Figure 10**

3. Apply the second piece of insulation tape in a similar manner to the right edge of the top plate. See Figure 11. If you still see exposed width of top plate is wider than insulation tape, repeat to apply the insulation tape adjacently to the first or/and second pieces without gap till the exposed top plate width become less than an insulation tape.



**Right Top Plate Insulation
Figure 11**

4. The last piece of insulation tape will be applied in the middle of the top plate overlapping the other pieces of insulation. See Figure 12.



**Middle Top Plate Insulation
Figure 12**

CUSTOMER FEEDBACK

Daikin is very interested in all product comments.
Please fill out the feedback form on the following link:
<https://daikincomfort.com/contact-us>
You can also scan the QR code on the right to be directed to the feedback page.



PRODUCT REGISTRATION

Thank you for your recent purchase. Though not required to get the protection of the standard warranty, registering your product is a relatively short process, and entitles you to additional warranty protection, except that failure by California and Quebec residents to register their product does not diminish their warranty rights.

For Product Registration, please register by following this link:
<https://daikincomfort.com/owner-support/product-registration>
You can also scan the QR code on the right to be directed to the Product Registration page.



NOTE: SPECIFICATION AND PERFORMANCE DATA LISTED HEREIN ARE SUBJECT TO CHANGE WITHOUT NOTICE

Quality Makes a Difference!

All of our systems are designed and manufactured with the same high quality standards regardless of size of efficiency. We have designed these units to significantly reduce the most frequent causes of product failure. They are simple to service and forgiving to operate. We use quality materials and components. Finally, every unit is run tested before it leaves the factory.

That's why we know... There's No Better Quality.