

Safety Considerations

The following symbols and labels are used throughout this manual to indicate immediate or potential safety hazards. It is the owner's and installer's responsibility to read and comply with all safety information and instructions accompanying these symbols. Failure to heed safety information increases the risk of personal injury, property damage, and/or product damage.


⚠ WARNING

ONLY PERSONNEL THAT HAVE BEEN TRAINED TO INSTALL, ADJUST, SERVICE OR REPAIR (HEREINAFTER, "SERVICE") THE EQUIPMENT SPECIFIED IN THIS MANUAL SHOULD SERVICE THE EQUIPMENT. THE MANUFACTURER WILL NOT BE RESPONSIBLE FOR ANY INJURY OR PROPERTY DAMAGE ARISING FROM IMPROPER SERVICE OR SERVICE PROCEDURES. IF YOU SERVICE THIS UNIT, YOU ASSUME RESPONSIBILITY FOR ANY INJURY OR PROPERTY DAMAGE WHICH MAY RESULT. IN ADDITION, IN JURISDICTIONS THAT REQUIRE ONE OR MORE LICENSES TO SERVICE THE EQUIPMENT SPECIFIED IN THIS MANUAL, ONLY LICENSED PERSONNEL SHOULD SERVICE THE EQUIPMENT. IMPROPER INSTALLATION, ADJUSTMENT, SERVICING OR REPAIR OF THE EQUIPMENT SPECIFIED IN THIS MANUAL, OR ATTEMPTING TO INSTALL, ADJUST, SERVICE OR REPAIR THE EQUIPMENT SPECIFIED IN THIS MANUAL WITHOUT PROPER TRAINING MAY RESULT IN PRODUCT DAMAGE, PROPERTY DAMAGE, PERSONAL INJURY OR DEATH.

⚠ WARNING

HIGH VOLTAGE!

DISCONNECT ALL POWER BEFORE SERVICING OR INSTALLING THIS UNIT. MULTIPLE POWER SOURCES MAY BE PRESENT. FAILURE TO DO SO MAY CAUSE PROPERTY DAMAGE, PERSONAL INJURY OR DEATH.



**PROP 65 WARNING
FOR CALIFORNIA CONSUMERS**

⚠ WARNING

Cancer and Reproductive Harm -
www.P65Warnings.ca.gov

0140M00517-A

ATTENTION INSTALLING PERSONNEL

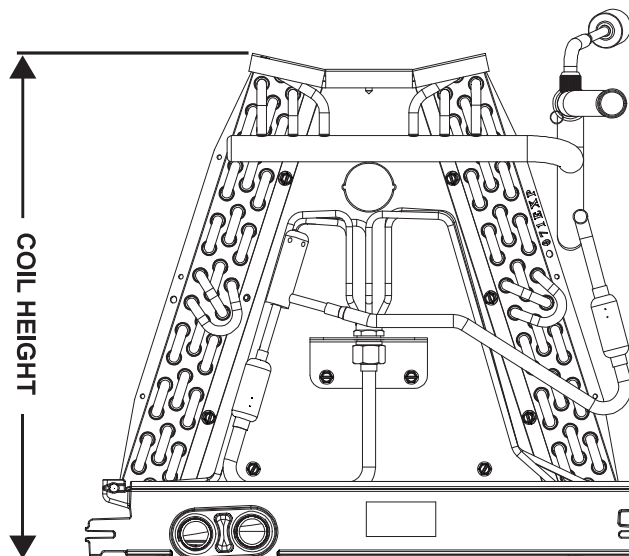
As a professional installer, you have an obligation to know the product better than the customer. This includes all safety precautions and related items.

Prior to actual installation, thoroughly familiarize yourself with this Instruction Manual. Pay special attention to all safety warnings. Often during installation or repair, it is possible to place yourself in a position which is more hazardous than when the unit is in operation.

Remember, it is your responsibility to install the product safely and to know it well enough to be able to instruct a customer in its safe use.

Safety is a matter of common sense...a matter of thinking before acting. Most dealers have a list of specific good safety practices...follow them.

The precautions listed in this Installation Manual are intended as supplemental to existing practices. However, if there is a direct conflict between existing practices and the content of this manual, the precautions listed here take precedence.



COIL HEIGHT	CABINET SIZE	KIT #
14.5"	B Cabinet	HHK0001
20.8"	C Cabinet	HHK0002
24"		
23.8"	D Cabinet	HHK0003
27.2"		

KIT CONTENTS

HHK0001				
DESCRIPTION	LENGTH	COIL HEIGHT	WIDTH	QTY
HAIRPIN COVER INSULATION	9"	14.5"	B	2
MAIN DRAIN PAN INSULATION				1
LEFT, BLOWER INSULATION	Standard / As Provided			1
RIGHT, BLOWER INSULATION	Standard / As Provided			1
SCROLL, BLOWER INSULATION	Standard / As Provided			1
HAIRPIN COVER	9"	14.5"		2
HOOKS	Standard / As Provided			6
SPRINGS	Standard / As Provided			3
RETAINING RING	Standard / As Provided			2
SCREWS	Standard / As Provided			8

HHK0002				
DESCRIPTION	LENGTH	COIL HEIGHT	WIDTH	QTY
HAIRPIN COVER INSULATION	15.7"	20.8"	C	2
HAIRPIN COVER INSULATION	19"	24"		2
MAIN DRAIN PAN INSULATION				1
LEFT, BLOWER INSULATION	Standard / As Provided			1
RIGHT, BLOWER INSULATION	Standard / As Provided			1
SCROLL, BLOWER INSULATION	Standard / As Provided			1
HAIRPIN COVER	15.7"	20.8"		2
HAIRPIN COVER	19"	24"		2
HOOKS	Standard / As Provided			6
SPRINGS	Standard / As Provided			3
RETAINING RING	Standard / As Provided		2	
SCREWS	Standard / As Provided		8	



KIT CONTENTS (cont.)

HHK0003				
DESCRIPTION	LENGTH	COIL HEIGHT	WIDTH	QTY
HAIRPIN COVER INSULATION	19"	23.8"	D	2
HAIRPIN COVER INSULATION	22.3"	27.2"		2
MAIN DRAIN PAN INSULATION	Standard / As Provided			1
LEFT, BLOWER INSULATION	Standard / As Provided			1
RIGHT, BLOWER INSULATION	Standard / As Provided			1
SCROLL, BLOWER INSULATION	Standard / As Provided			1
HAIRPIN COVER	19"	23.8"		2
HAIRPIN COVER	22.3"	27.2"		2
HOOKS	Standard / As Provided			6
SPRINGS	Standard / As Provided			3
RETAINING RING	Standard / As Provided		2	
SCREWS	Standard / As Provided		8	

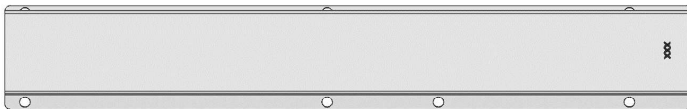


Figure 1 - Hairpin Cover

HAIRPIN COVER

- Both Hairpin Covers (see Figure 1) are to be assembled to the back of the coil only as shown in Figure 2.

Note: Hairpin cover should be insulated from the supplier. If insulation is not present on each cover, please contact your local Daikin Dealer for replacement parts.

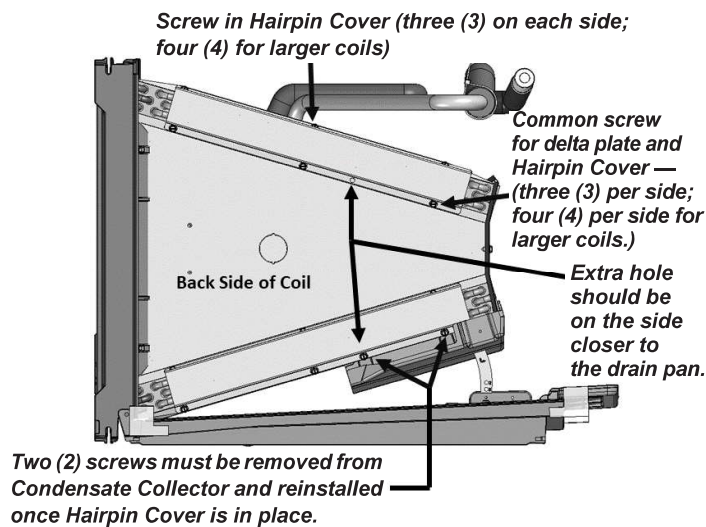


Figure 2 - Hairpin Cover on Coil

BLOWER HOUSING INSULATION

- To ensure proper adhesion, clean all surfaces of blower housing so they are clear of oil, dust, and moisture.
- Remove the paper backing from the insulation adhesive and install the three blower insulation pieces as shown in Figure 3. Firmly press the insulation along the surface of the blower housing.

NOTE: Ensure there are no air gaps/bubbles in between insulation and blower housing. Condensation may be generated in that area.

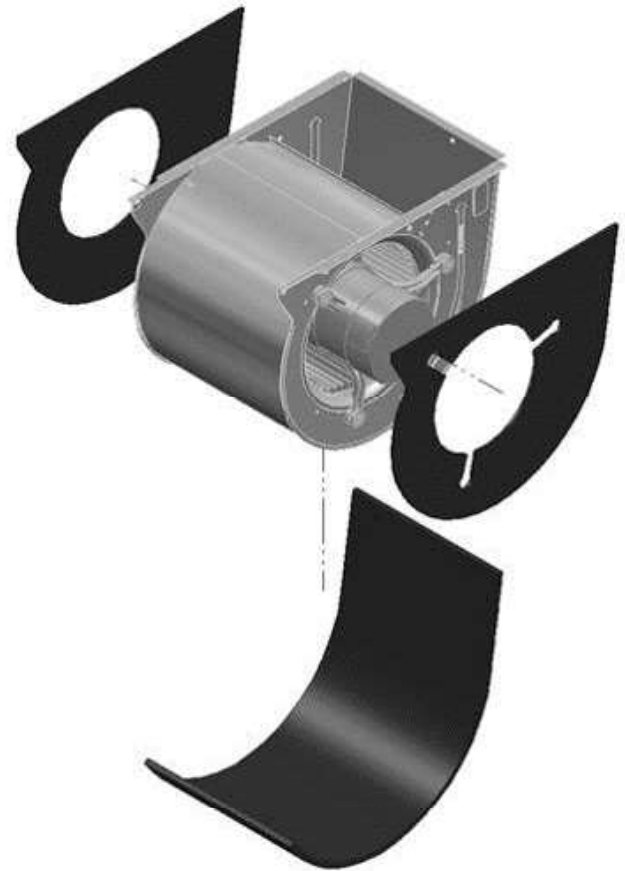


Figure 3 - Blower Housing Insulation

- Once blower insulation has been installed, install Retaining Rings, Hooks, and Springs as shown in Figure 4 below. Retaining Ring is to be installed UNDER the Motor Mounting Legs of the blower. To do this, slightly bend open the Retaining Ring and slide under blower legs, rotating into place. Hook and spring installation are detailed in steps 4 and 5.

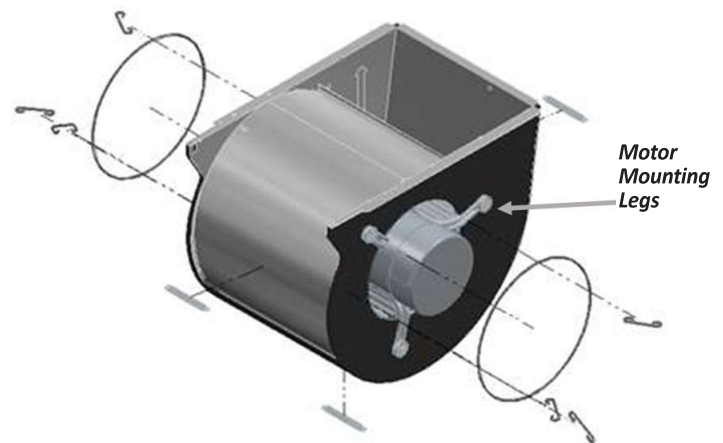


Figure 4 - Blower Housing Insulating Retaining Hardware

- Hook is to hook onto blower housing as shown in Figure 5 below.

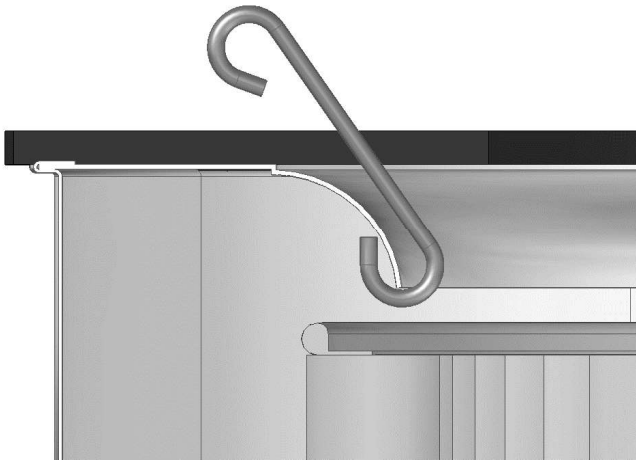


Figure 5 - Hook detail

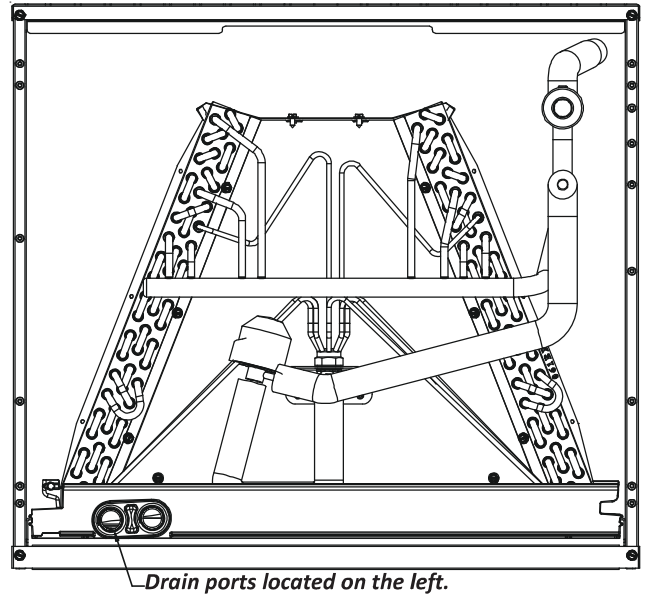
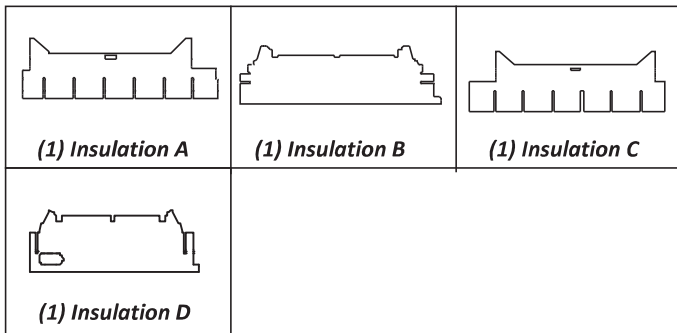


Figure 6

- Springs are to be attached to a hook on one side of the blower, stretched around the side of the blower, and then attached to the hook on the opposite side of the blower.
- Be sure that springs are adequately spaced around blower housing to ensure they are holding insulation down around entire blower.

- Remove the paper backing from the insulation adhesive and install insulation A and C. Line up edge of the insulation with inside of the drain pan (see view E of Figure 8). Firmly press the insulation along the surface of drain pan.

DPICX-*/C



KIT INSTRUCTIONS

DRAIN PAN INSULATION

- To ensure proper adhesion, clean all surfaces of drain pan so they are clear of oil, dust, and moisture.
- Identify sides A, B, C, and D of the insulation and drain pan as shown in Figure 7. (Side D is wider than side B)
- Each shape of insulation and drain pan link each other. For example, Insulation A is applied onto side A of drain pan.

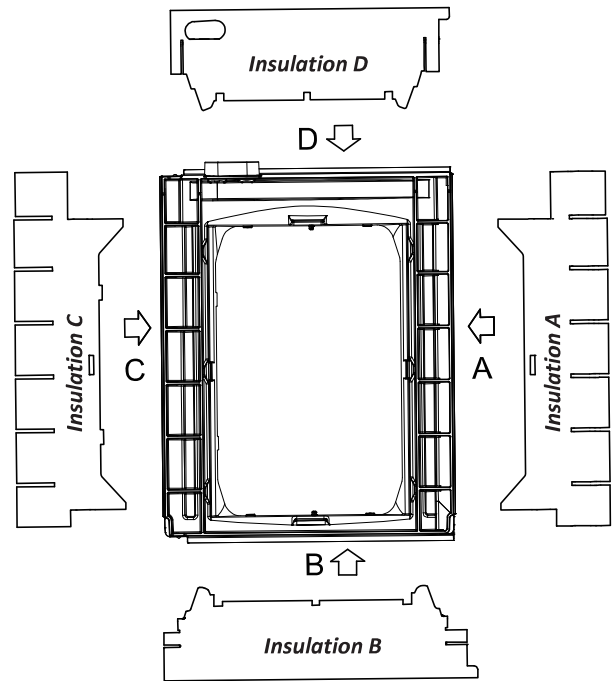
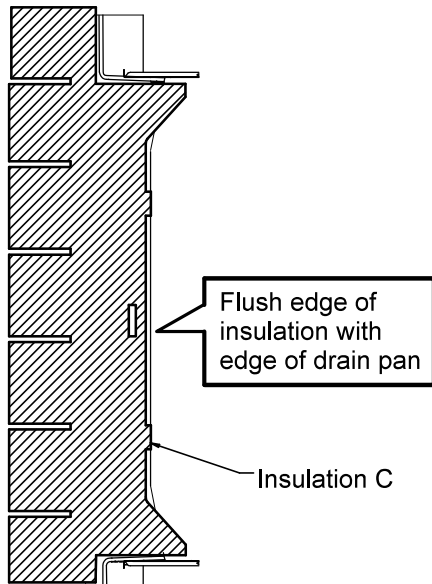
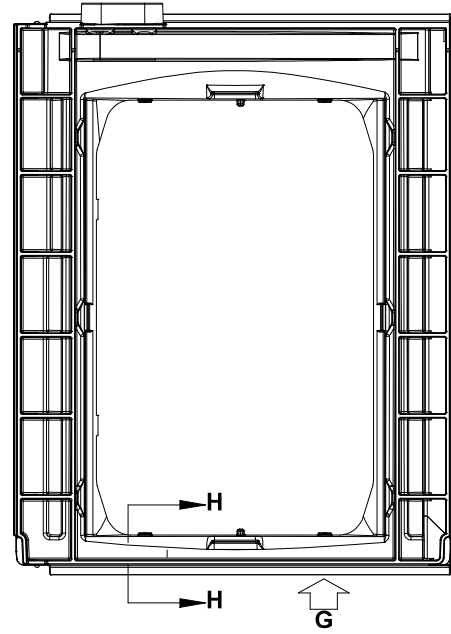
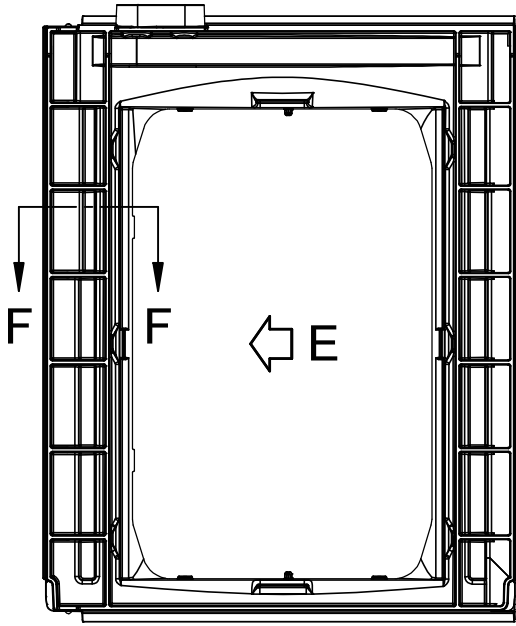


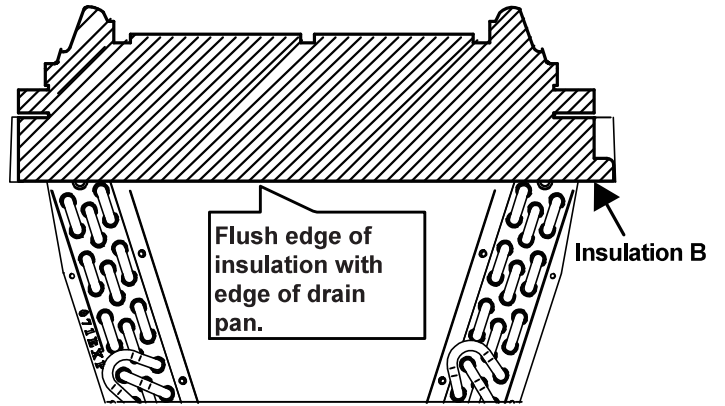
Figure 7

NOTE: Ensure there are no air gaps/bubbles in between insulation and drain pan. (See Section F-F of Figure 8). Condensation may be generated in that area.

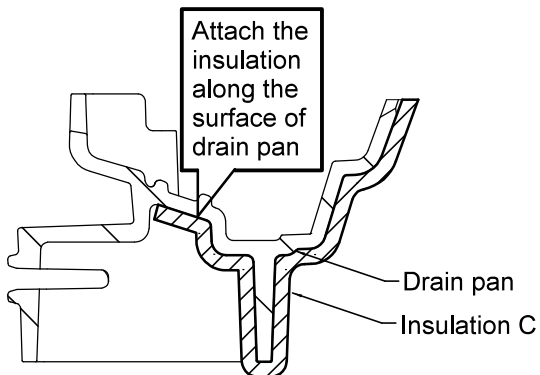
- Apply insulation B and D. Ensure the edge of insulation B and D is flush with the top edge of the drain pan. (See view G and J of Figure 9 and 10.) Fold over the remaining insulation to inside of drain pan. Firmly press the insulation along the surface of drain pan. Don't allow any air gap/bubble between insulation and drain pan (See Section J-J and Section K-K of Figure 9 and 10).



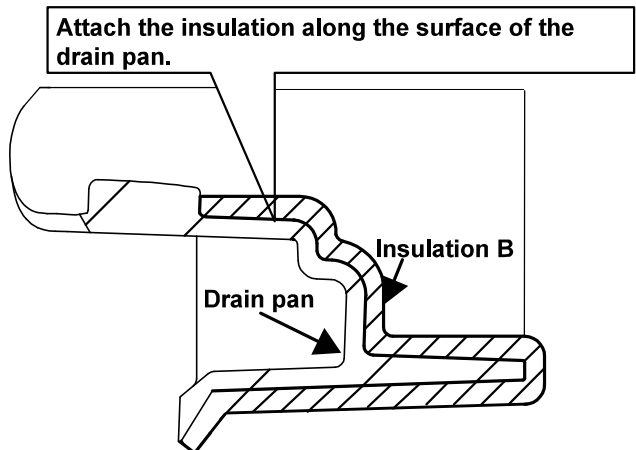
View E



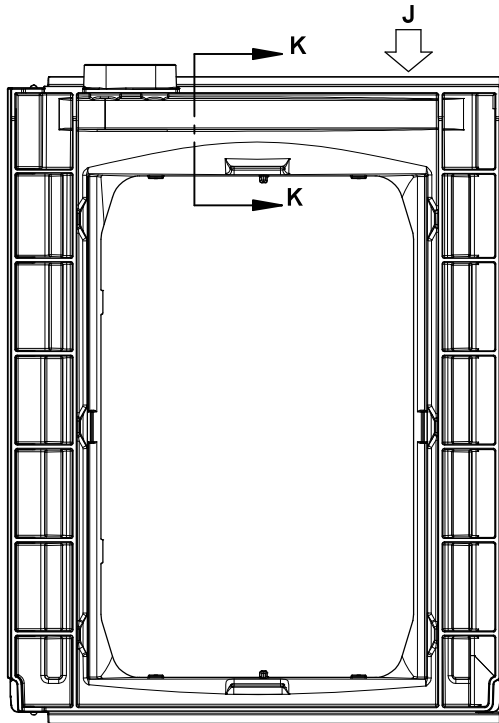
View G



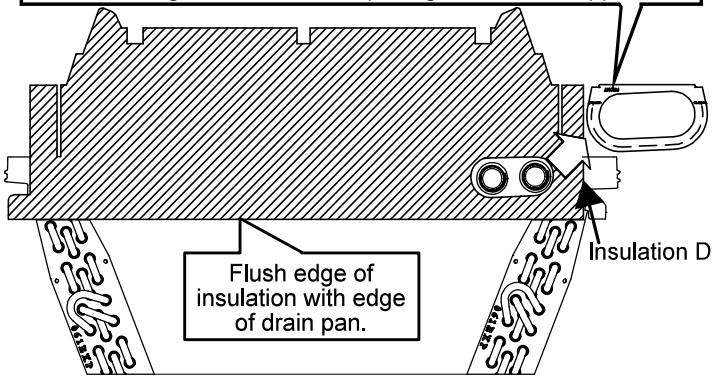
Section F-F
Figure 8



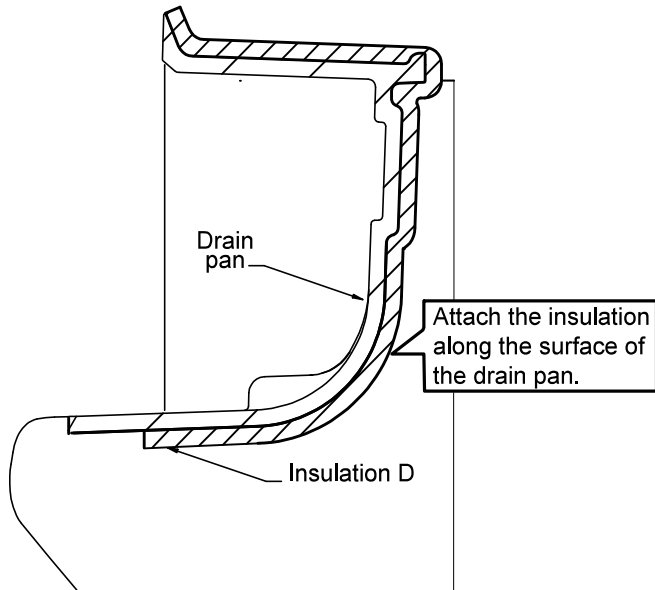
Section H-H
Figure 9



Take out drain port grommet before applying the insulation D. Reinstall the grommet after completing insulation D application.



View J



Section K-K
Figure 10

THIS PAGE LEFT INTENTIONALLY BLANK.

THIS PAGE LEFT INTENTIONALLY BLANK.

CUSTOMER FEEDBACK

Daikin is very interested in all product comments.

Please fill out the feedback form on the following link:

<https://daikincomfort.com/contact-us>

You can also scan the QR code on the right to be directed to the feedback page.



NOTE: SPECIFICATIONS AND PERFORMANCE DATA LISTED HEREIN ARE SUBJECT TO CHANGE WITHOUT NOTICE

Quality Makes the Difference!

All of our systems are designed and manufactured with the same high quality standards regardless of size or efficiency. We have designed these units to significantly reduce the most frequent causes of product failure. They are simple to service and forgiving to operate. We use quality materials and components. Finally, every unit is run tested before it leaves the factory.

That's why we know. . . There's No Better Quality.

Visit our website at www.daikincomfort.com for information on:

- Products
- Customer Services
- Contractor Program and Training
- Warranties
- Parts
- Financing Option

Our continuing commitment to quality products may mean a change in specifications without notice.

© 2020 **DAIKIN MANUFACTURING COMPANY, L.P.**

19001 Kermier Rd., Waller, TX 77484

www.daikincomfort.com