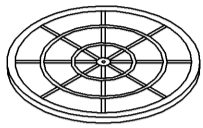
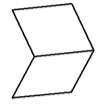


CAUTION

- This product is designed exclusively for use of air conditioners with Self cleaning decoration panels (BYCP160KGF/KAGF, BYCP160BGF/BAGF/BEGF, and BYCQ125BGW1).
- When installing, refer to the indoor unit's installation manual.

Package contents

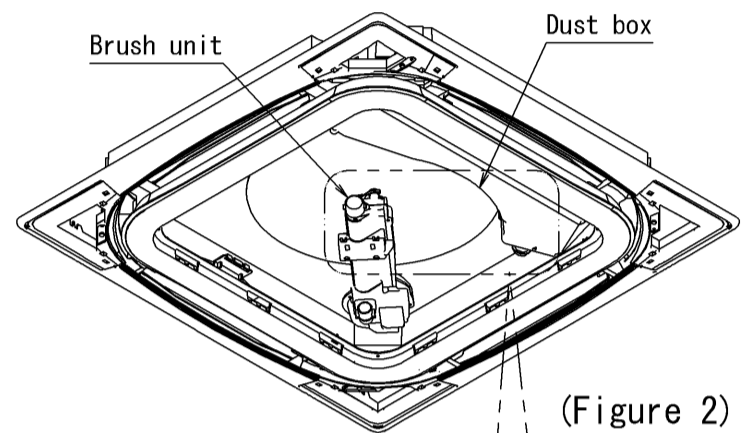
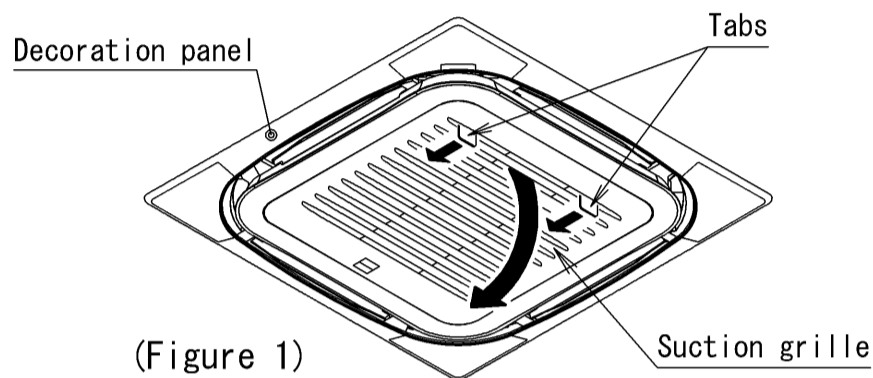
Ensure that the package contains the following parts:

Name	Replacement air filter	Installation manual
Shape	1 	2 
Quantity	1	1 (this instructions)

1 Preparation before replacing the air filter

<1> Open the suction grille.

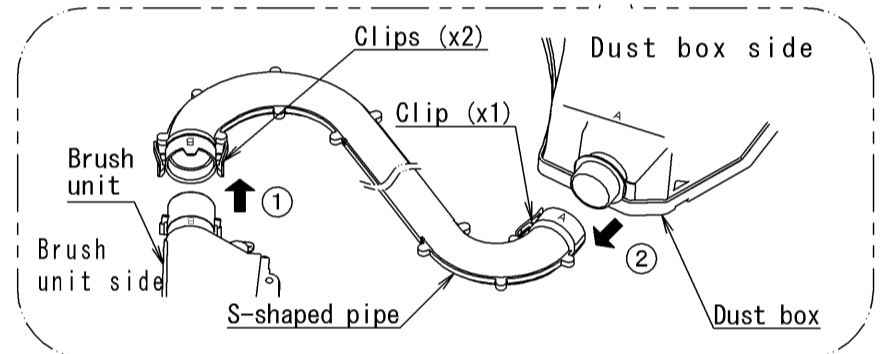
Push up on the two tabs on the suction grille and open it. (See Figure 1.)



<2> Remove the S-shaped pipe.

Remove the S-shaped pipe as described below. (See Figure 2.)

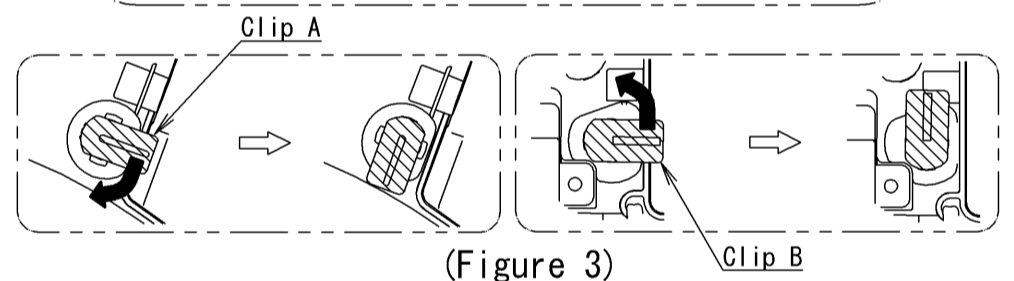
- (1) Disconnect the S-shaped pipe from the brush unit side (the side marked with "B") by pulling on it while pressing down on the clips on the end of the pipe.
- (2) Disconnect the S-shaped pipe from the dust box side (the side marked with "A") by pulling on it while pressing down on the clip on the end of the pipe.



<3> Remove the dust box.

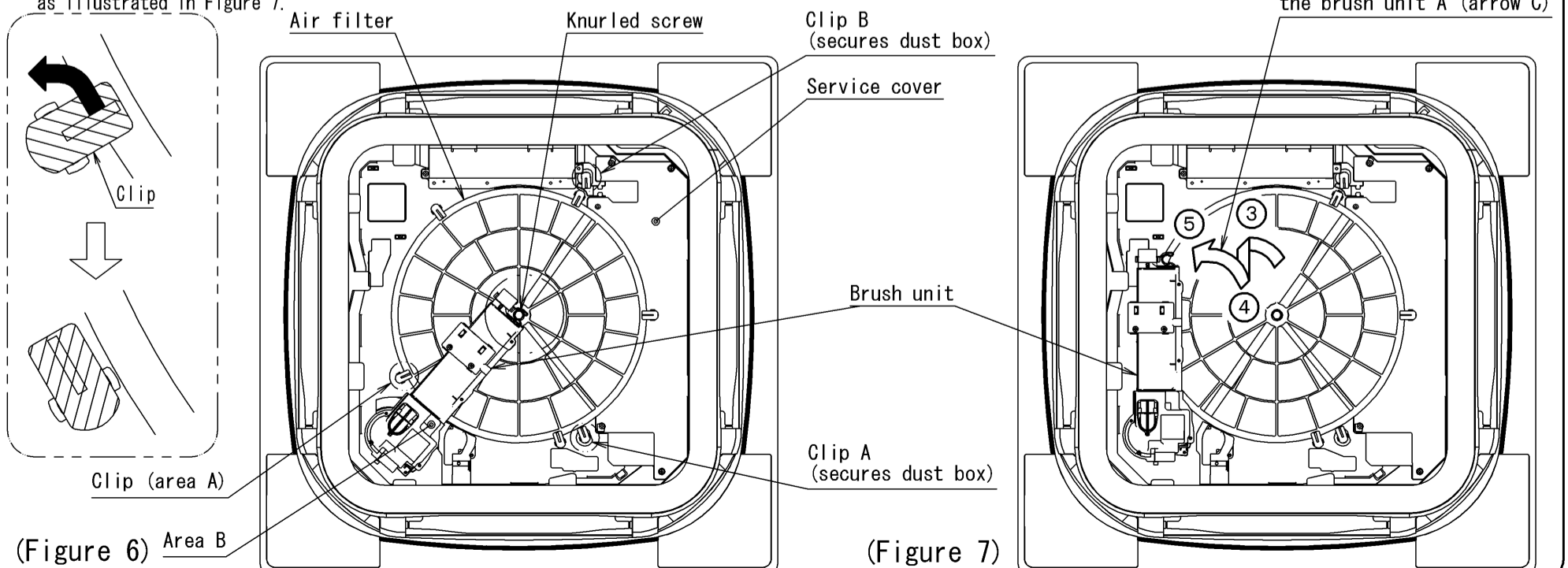
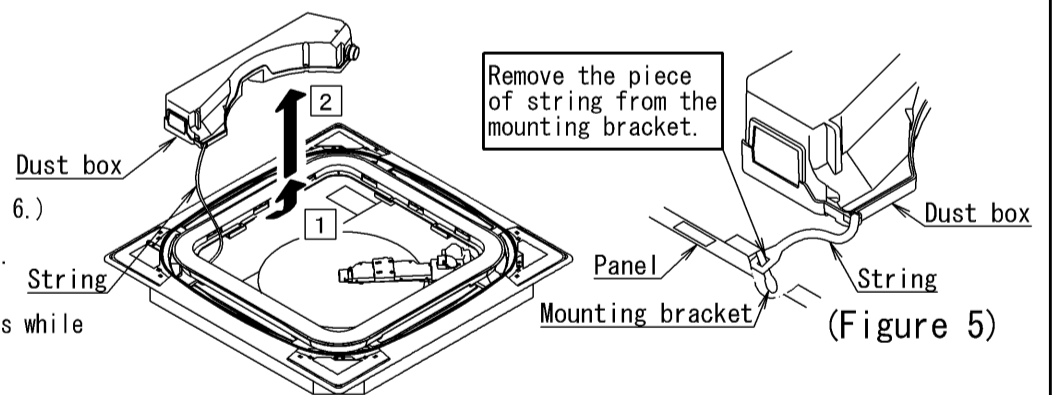
Remove the dust box as described below.

- (1) Rotate the two clips that hold the dust box in place. (See Figures 3 and 6.)
- (2) Remove the dust box without cutting the string that prevents the panel from falling off. (See Figure 4.)
 - a. Tilt the dust box about 45°
 - b. Remove the dust box.
- (3) Detach the piece of string from the panel mounting bracket. (See Figure 5.)



<4> Move the brush unit.

- (1) Rotate the clip in area (A) that holds the air filter in place. (See Figure 6.)
- (2) Turn the knurled screw in the center of the air filter by hand to loosen it. (See Figure 6.) (Do not remove the knurled screw.)
- (3) Rotate the brush unit in the direction indicated by arrow (C) until it stops while pushing up on area (B). (See Figure 7.)
- (4) Pull down slightly the entire brush unit away from the air filter (About 20 mm (3/4 in.) gap will open up between the air filter and the brush unit) (See Figure 4.)
- (5) Rotate the brush unit from its orientation at the end of step (4) until it is positioned as illustrated in Figure 7.

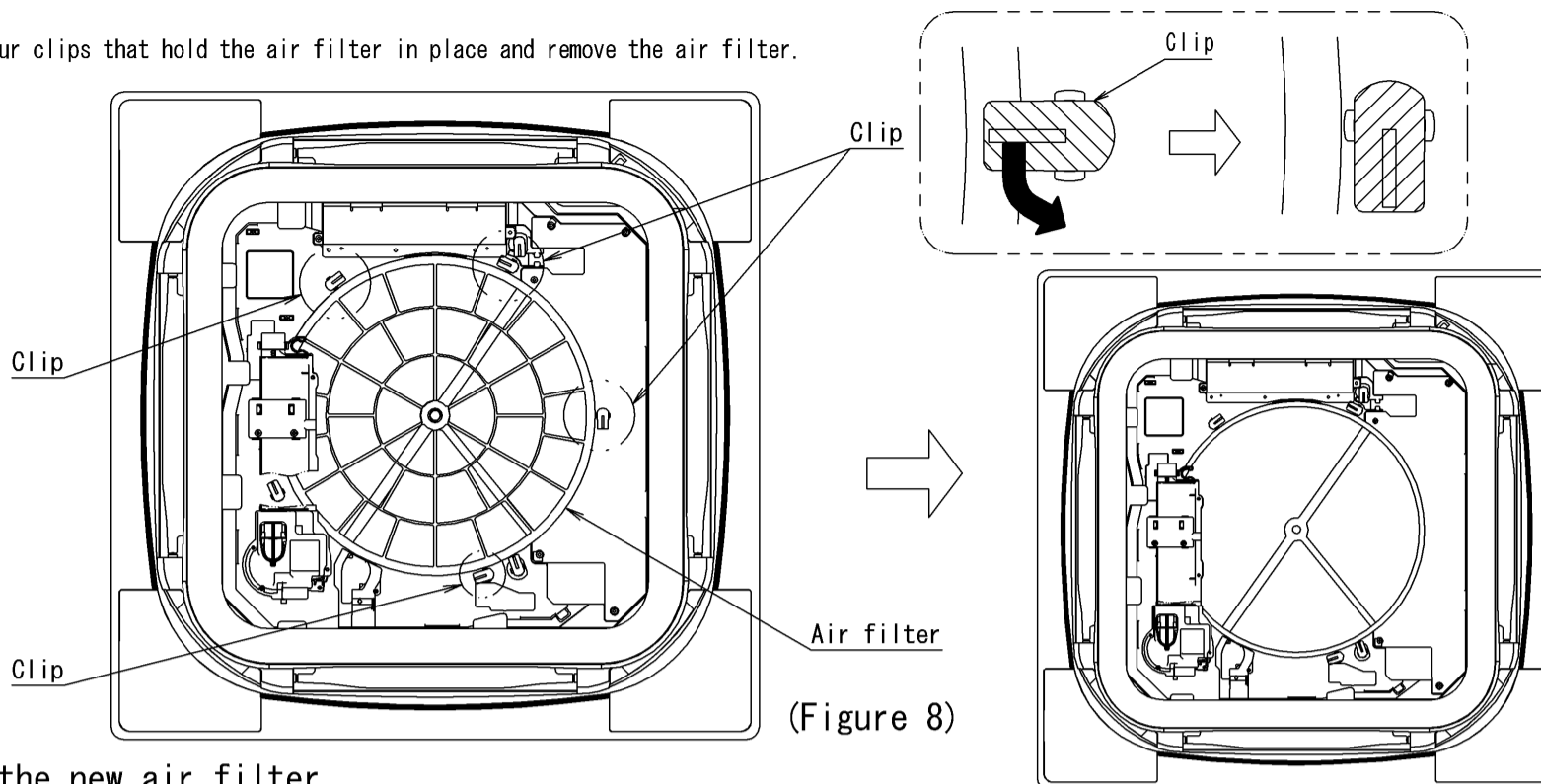


(Figure 6)

(Figure 7)

2 Replacing the air filter

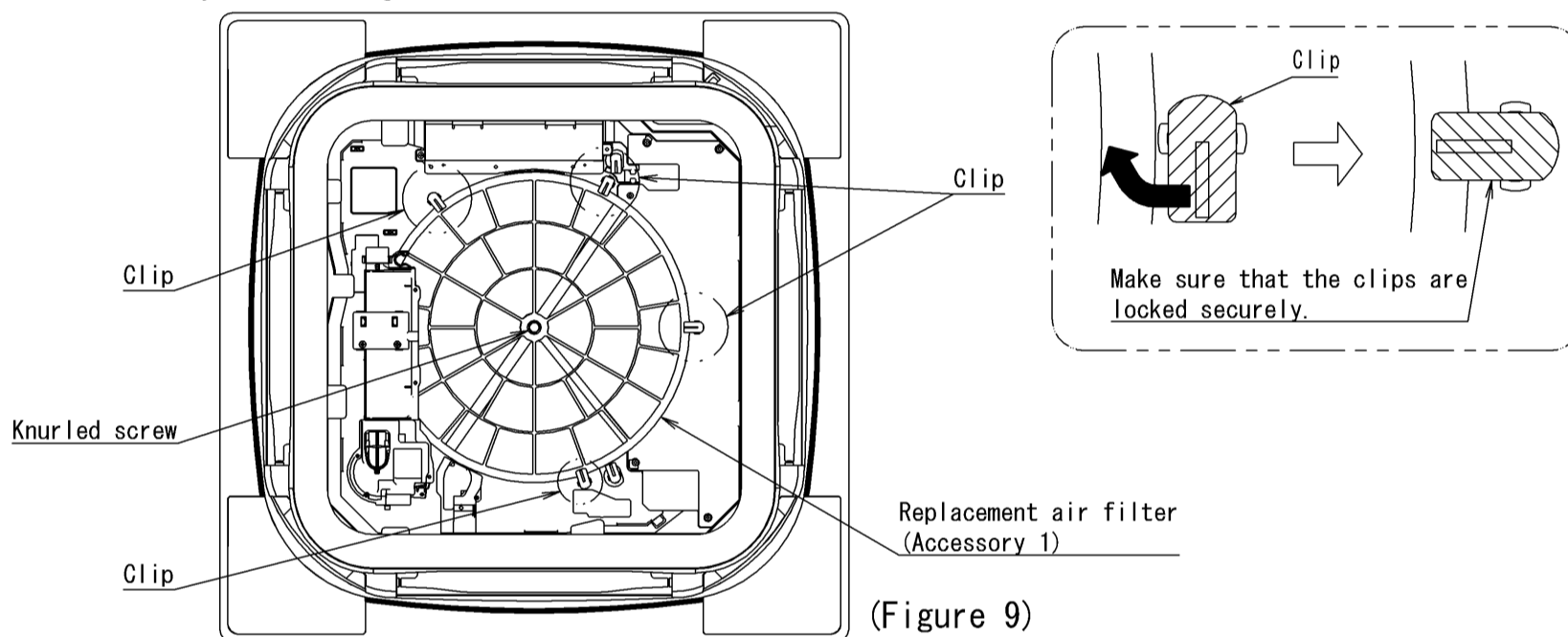
(6) Rotate the four clips that hold the air filter in place and remove the air filter.



(Figure 8)

<5> Install the new air filter

- (1) Place the replacement air filter (Accessory 1) onto the knurled screw.
- (2) Rotate the clips to lock the filter in place by reversing step <4>-<6> above.
 - Make sure that the clips are locked in the orientation shown in the figure.
 - Failure to do so may result in damage to the air filter



(Figure 9)

- (3) Return the brush unit to its original position by reversing steps <4>-<1> through -<5> above and tighten the knurled screw.
 - When proceeding from step (4) to step (3), be sure to push up on area B toward the air filter before rotating the brush unit. Failure to do so may result in damage to the filter unit.
 - Attach the brush unit securely.
 - Failure to do so may result in damage to the air filter or cause the air conditioner to malfunction.
- (4) Lock the clips in area (A) shown in Figure 6 by repeating step (2) above.
 - Make sure that the clips are locked in the orientation shown in the figure.
 - Failure to do so may result in damage to the air filter

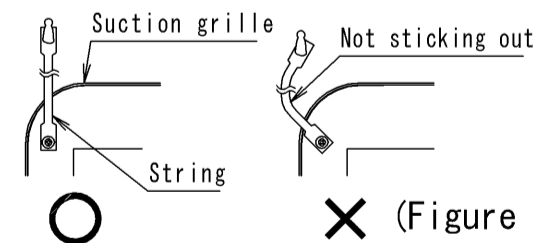
3 After replacing the air filter

<1> Attach the dust box and S-shaped pipe

Reattach the dust box and S-shaped pipe by reversing the steps described in "<3> Remove the dust box" and "<2> Remove the S-shaped pipe" under

1 Preparation before replacing the air filter

- Attach the dust box securely.
- Failure to do so may prevent dust from being collected properly.
- Verify that the clips on the S-shaped pipe are securely engaged.
- Failure to do so may prevent dust from being collected properly.



(Figure 10)

<2> Close the suction grille.

Close the suction grille by reversing the steps described in "<1> Open the suction grille" under

1 Preparation before replacing the air filter

- When closing the suction grille, the piece of string that keeps the panel from falling off could become caught between the grille and the air conditioner frame. (See Figure 10.)
- Before closing the grille, make sure that the string is not hanging out of the suction grille.