

Safety Considerations

Give this installation manual to the user when installation is completed.

- Read these **Safety Considerations** carefully to ensure correct installation.
- After completing the installation, make sure that the unit operates properly during the startup operation.
- All phases of the field-installation, including, but not limited to, electrical, piping, and safety, must be done in accordance with manufacturer's instructions and must comply with national, state, provincial, and local codes.
- This product is a heater designed to melt snow that is blown into the product from the outside to prevent the drain pan of the outdoor unit from freezing.
- Install the product with a snow-break hood on a high stand if this product is used in heavy snow areas.
- Meaning of **DANGER**, **WARNING** and **CAUTION** symbols:

DANGER : Indicates an imminently hazardous situation which, if not avoided, will result in death or serious injury.

WARNING : Indicates a potentially hazardous situation which, if not avoided, could result in death or serious injury.

CAUTION : Indicates a potentially hazardous situation which, if not avoided, may result in minor or moderate injury. It may also be used to alert against unsafe practices.

DANGER

- Do not touch the heater unit without wearing gloves. The temperature of the heater unit will become high when the heater is turned on. Touching the heater unit with bare hands will result in burns or injury.






WARNING

- Only qualified personnel must carry out the installation work. Installation must be done in accordance with this installation manual. Improper installation may result in electric shock, fire, or equipment damage.
- Use only specified accessories and parts for installation work. Failure to use specified parts may result in electric shock, fire, the product falling, or equipment damage.
- Before touching electrical parts, turn off the unit.
- Use specified wires. Connect and fix the wires so that the wires will not put improper force on the terminal junctions. Wires connected or fixed improperly could result in terminal overheating, an electric shock, or fire.
- When wiring and connecting the indoor and outdoor units, carefully arrange the wiring so that they will not put improper force on the structures. Incomplete cover installation could result in terminal overheating, an electric shock, or fire.

CAUTION

- Wear protective gloves at the time of installation. Touching the suction mouth or aluminum fin of the outdoor unit may result in injury.
- Do not install the product in places where there is danger of exposure to inflammable gas leakage. If the gas leaks and builds up around the unit, it may catch fire.
- Do not grab the top plate of the outdoor unit carelessly when removing the top plate. The sharp edge of the top plate may cause injury.
- Do not install the outdoor unit in places where small animals may nest in the outdoor unit. If small animals intrude and touch the internal parts of the outdoor unit, the outdoor unit may malfunction, generate smoke, or ignite. Advise the user to keep the place clean.
- Do not touch the heater unit with bare hands. The temperature of the heater unit will become high when the heater is turned on. Touching the heater unit with bare hands may result in burns or injury.

Accessories

(A) Drain pan heater		1	(B) Piercing screw (use for making holes) M4 x 1/2" (M4 x 12mm)		2
(C) Screw M4 x 5/16" (M4 x 8mm)		5	(D) Information label		1
(E) Installation Manual		1			

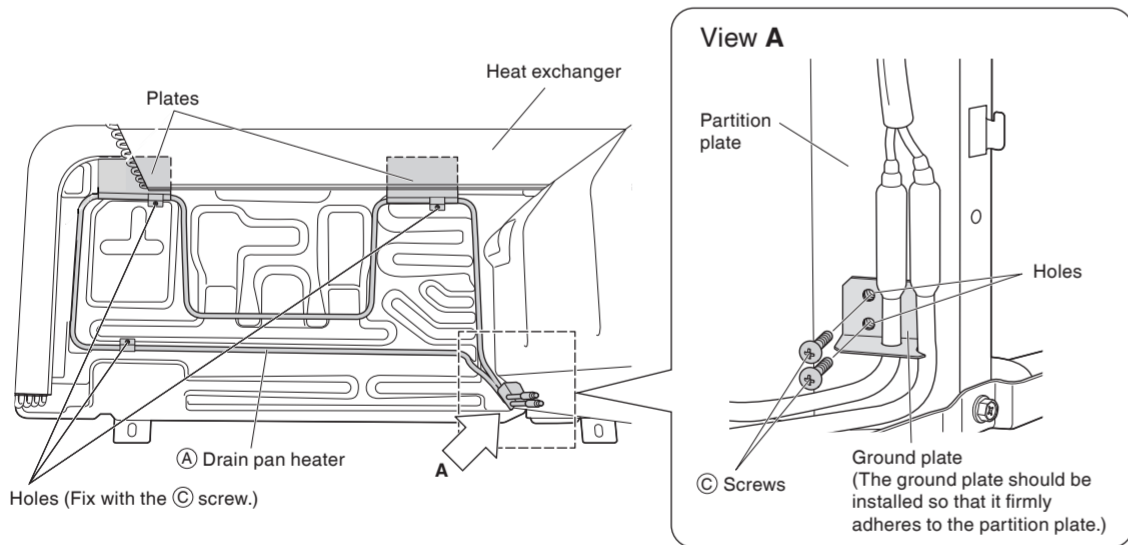
Installation Procedure (2)

2. Install the (A) drain pan heater.

CAUTION

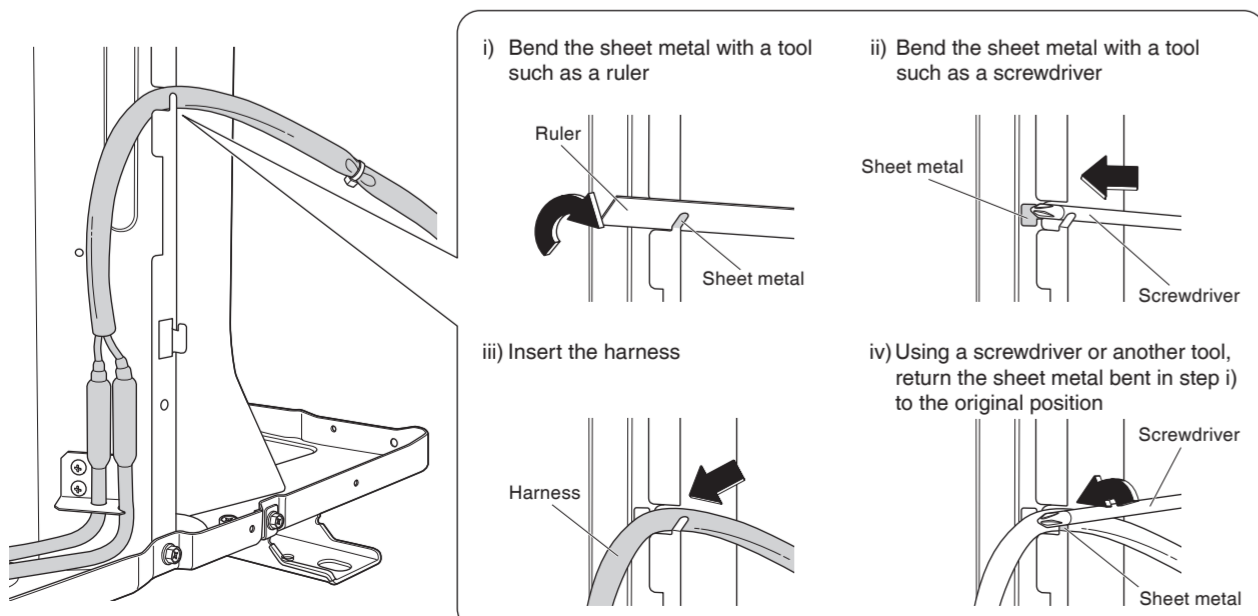
- When drilling a hole, be careful not to damage the soundproofing material and other components on the back side.

- 1) Insert the plates of the (A) drain pan heater under the heat exchanger.
- 2) If there are no holes, drill $\phi 1/8$ inch ($\phi 3.2$ mm) holes in the bottom frame and the partition plate to fix the (A) drain pan heater.
 - Place the actual components to ensure positioning is correct before drilling holes.
 - The holes can be made with the (B) piercing screw as well.
- 3) After holes are made, fix the (A) drain pan heater with the (C) screws. (Do not fix with the (B) piercing screws.)



3. Route the harnesses.

- 1) Flex the sheet metal of the outdoor unit and pull the harness around.



Tools Required for Installation

- Electric drill
- $\phi 1/8$ inch ($\phi 3.2$ mm) drill
- Phillips screwdriver
- Nippers

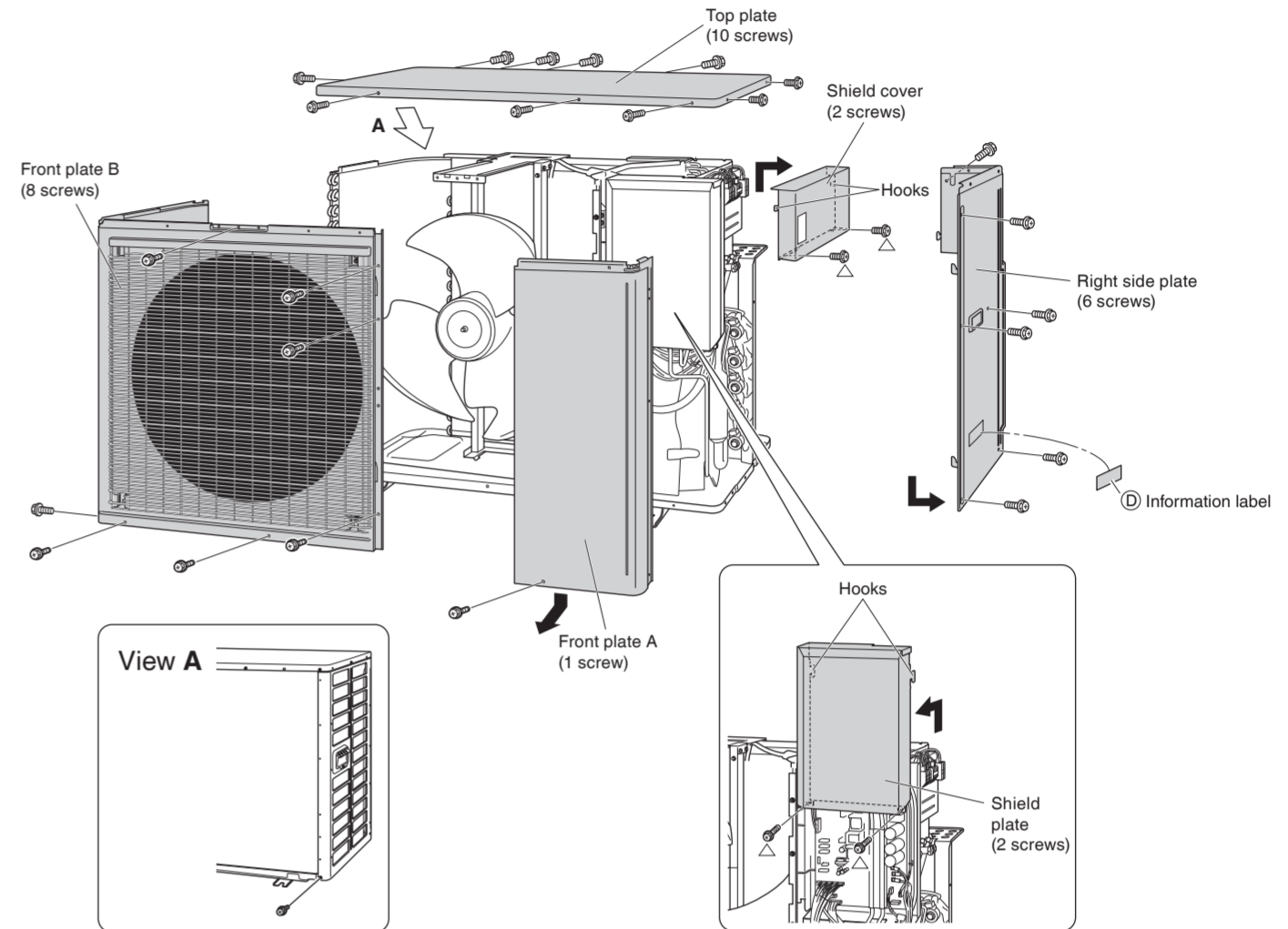
Installation Procedure (1)

WARNING

- Be sure to check that the power supply of the product is turned off.

1. Remove each component of the outdoor unit.

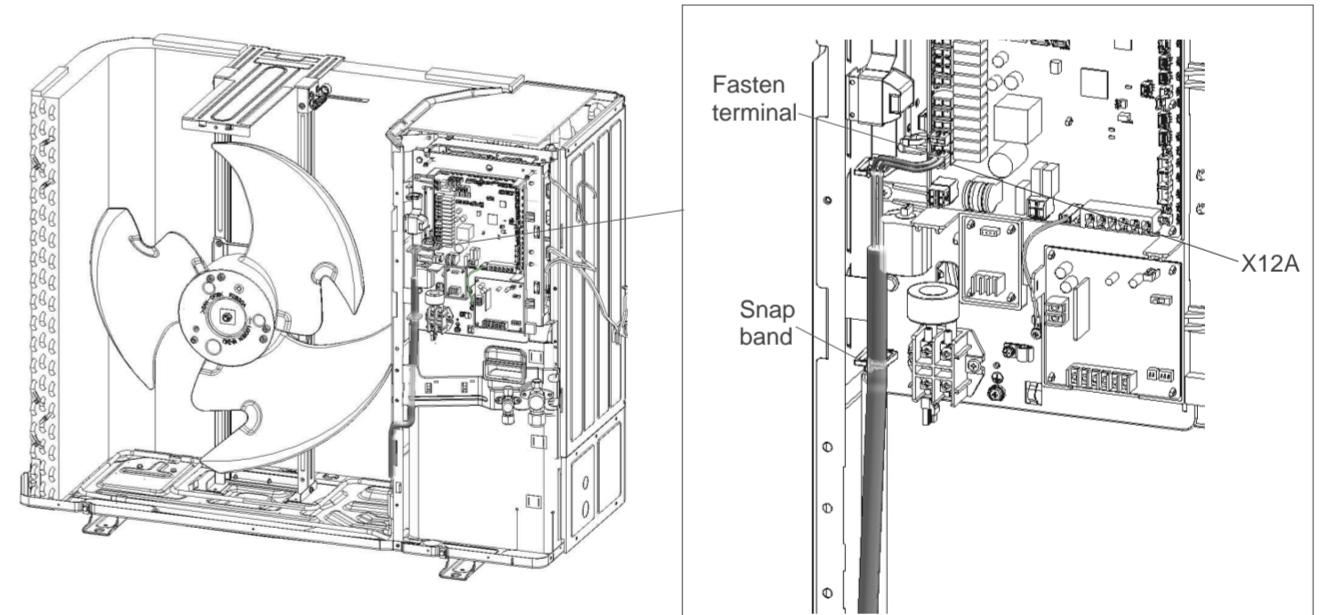
- 1) Remove the top plate.
- 2) Remove the right side plate.
- 3) Remove the front plate A.
 - Front plate A is heavy, so be careful.
- 4) Remove the front plate B.
- 5) Remove the shield plate.
- 6) Remove the shield cover.
- 7) Affix the (D) information label near the manufacturer's label.



- Screw types for each component are indicated as below.
 No icon: Hexagon tapping screw
 Δ : Truss head tapping screw

Installation Procedure (3)

- 2) Connect the fasten terminals to X12A on the PC-board.
 - Connect molex plug to X12A on the PC-board.
 - Secure the harness snap band in the hole in the sheet metal.



4. Install each component to the original position.

- Be careful not to confuse screw types. Refer to "Installation Procedure (1)".
- Install so that the shield cover and shield plate hooks (2 locations each) are securely engaged.